



US00D578041S

(12) **United States Design Patent**  
**Prusmack**

(10) **Patent No.:** **US D578,041 S**

(45) **Date of Patent:** **\*\* \*Oct. 7, 2008**

(54) **UTILITY SUPPORT TRAILER**

(75) Inventor: **A. Jon Prusmack**, Valley Cottage, NY  
(US)

(73) Assignee: **DHS Systems LLC**, Orangeburg, NY  
(US)

(\* ) Notice: This patent is subject to a terminal disclaimer.

(\*\* ) Term: **14 Years**

(21) Appl. No.: **29/238,526**

(22) Filed: **Sep. 15, 2005**

(51) **LOC (8) Cl.** ..... **12-10**

(52) **U.S. Cl.** ..... **D12/101**

(58) **Field of Classification Search** ..... D12/101,  
D12/102; 280/475, 656, 763.1, 482, 400;  
296/181, 190; D34/12, 17-19; D15/27  
See application file for complete search history.

(56) **References Cited**

**U.S. PATENT DOCUMENTS**

5,314,200	A	*	5/1994	Phillips	.....	280/400
5,480,180	A	*	1/1996	Fuller et al.	.....	280/656
D381,666	S	*	7/1997	Del Zotto	.....	D15/27
D392,223	S	*	3/1998	Alpiser et al.	.....	D12/101

D408,333	S	*	4/1999	Prusmack	.....	D12/101
D412,684	S	*	8/1999	Roth	.....	D12/101
D515,465	S	*	2/2006	Sumida	.....	D12/102

\* cited by examiner

*Primary Examiner*—Melody N. Brown

(74) *Attorney, Agent, or Firm*—Thomas A. Beck

(57) **CLAIM**

The ornamental design for a utility support trailer, as shown and described.

**DESCRIPTION**

FIG. 1 is a perspective view of the utility support trailer showing my new design.

FIG. 2 is a right side view of the utility support trailer showing my new design.

FIG. 3 is a top view of the utility support trailer showing my new design.

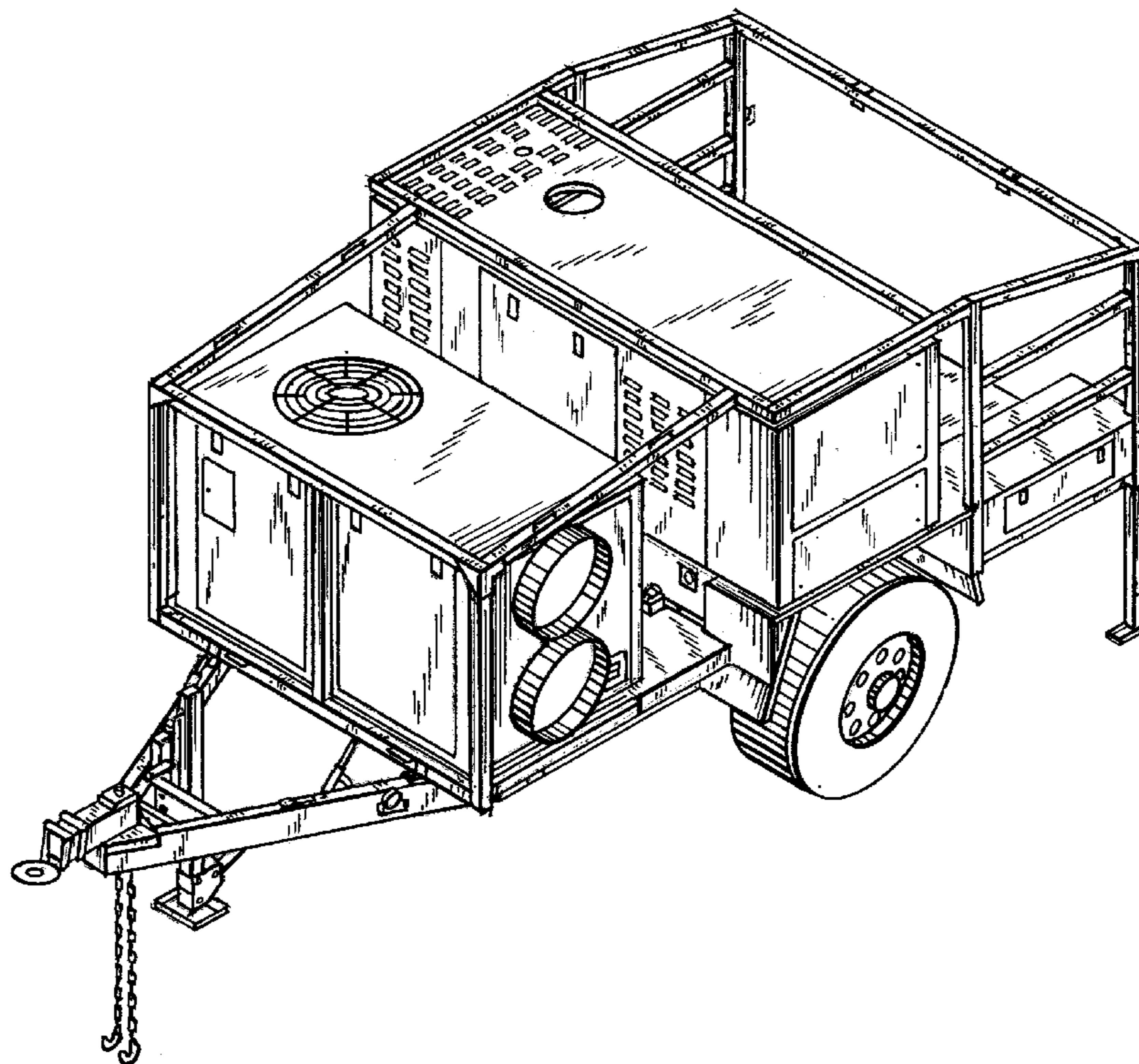
FIG. 4 is a left side view of the utility support trailer showing my new design.

FIG. 5 is a rear view of the utility support trailer showing my new design.

FIG. 6 is a front view of the utility support trailer showing my new design; and,

FIG. 7 is a bottom view of the utility support trailer showing my new design.

**1 Claim, 6 Drawing Sheets**



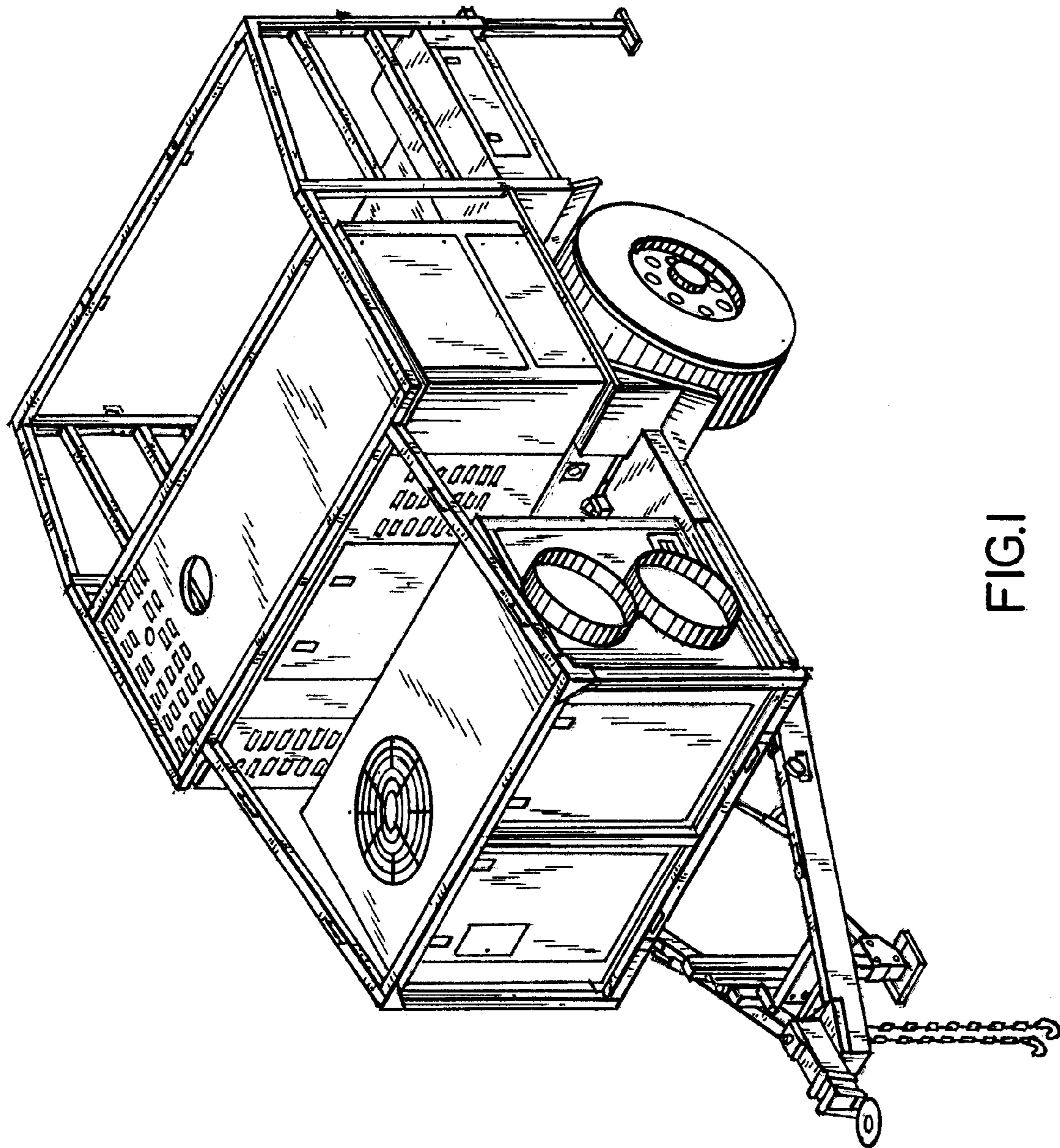


FIG. I

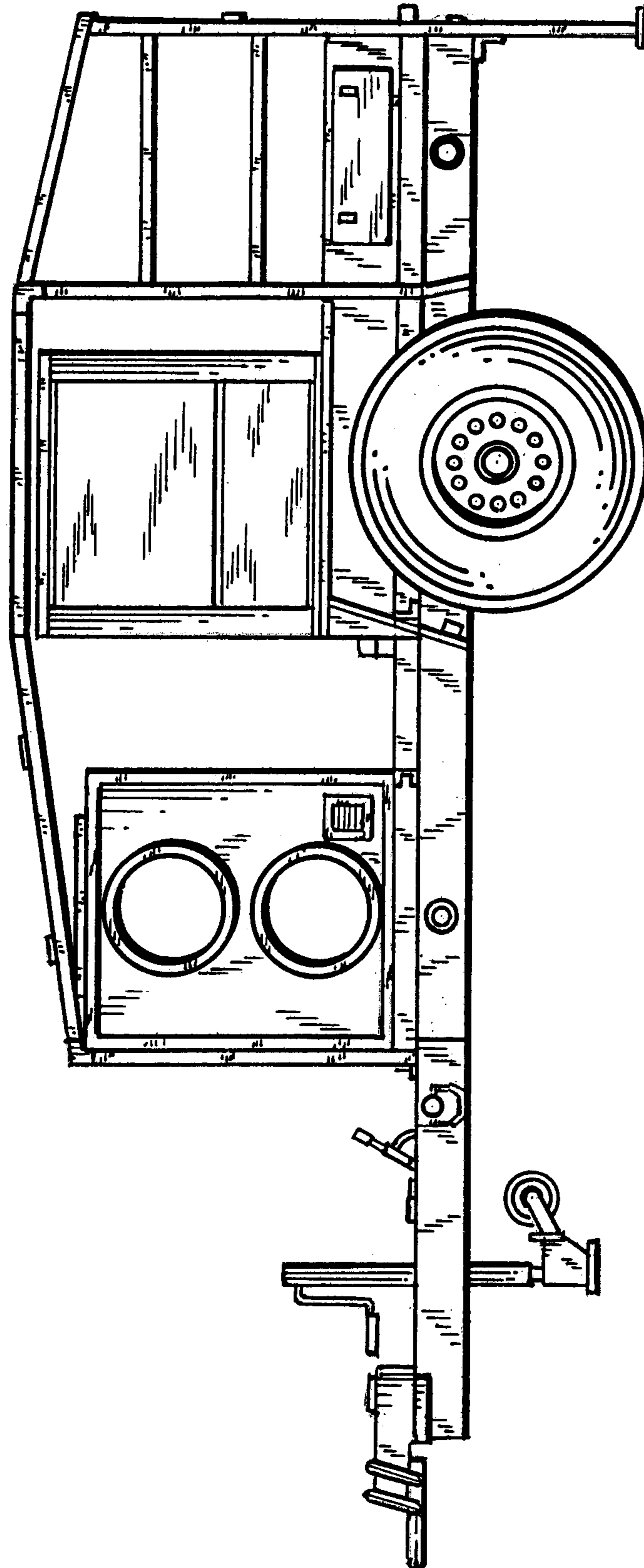


FIG.2

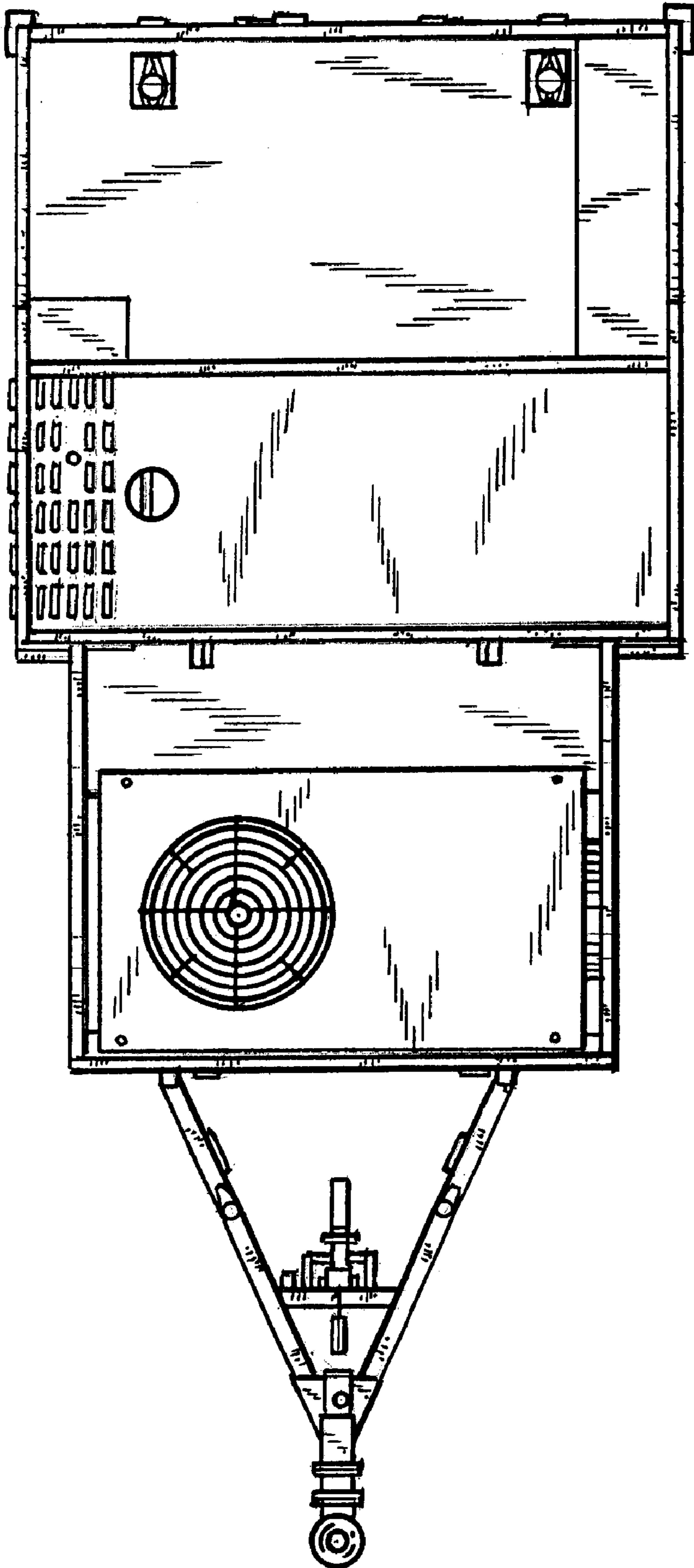


FIG.3

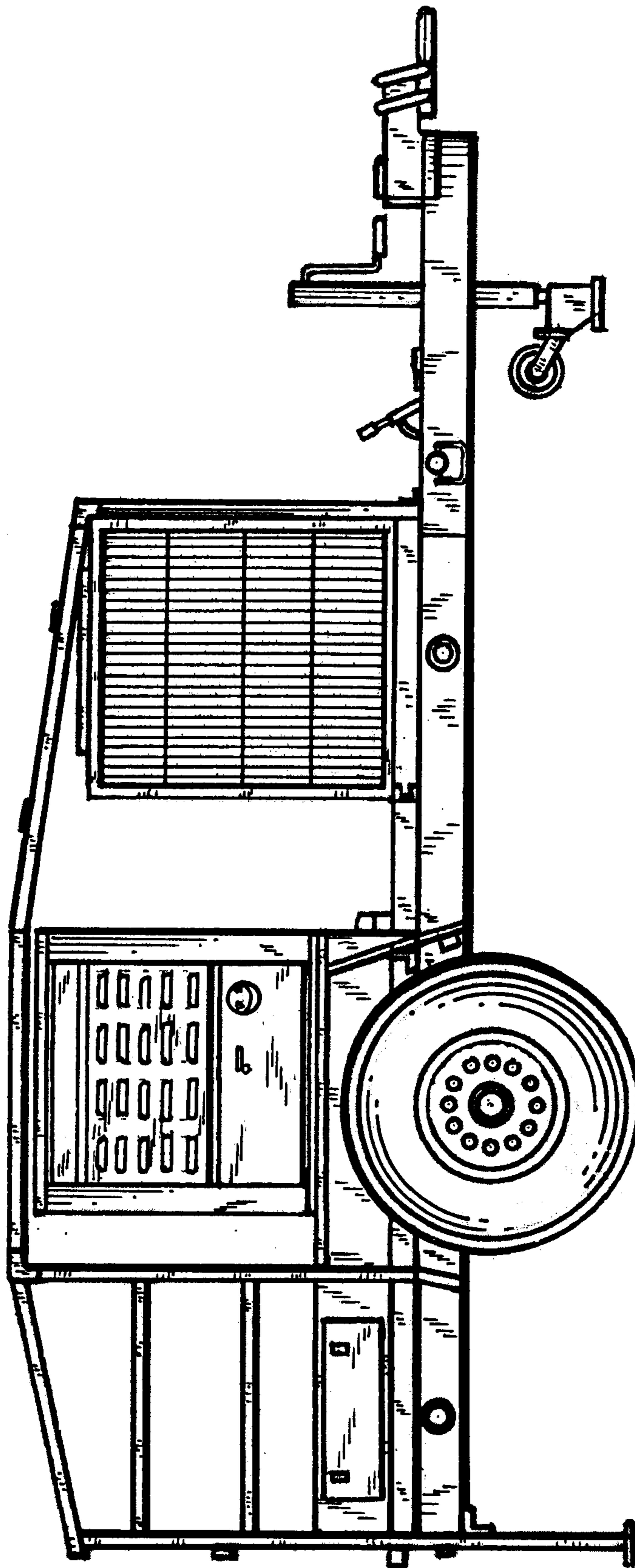


FIG.4

FIG.5

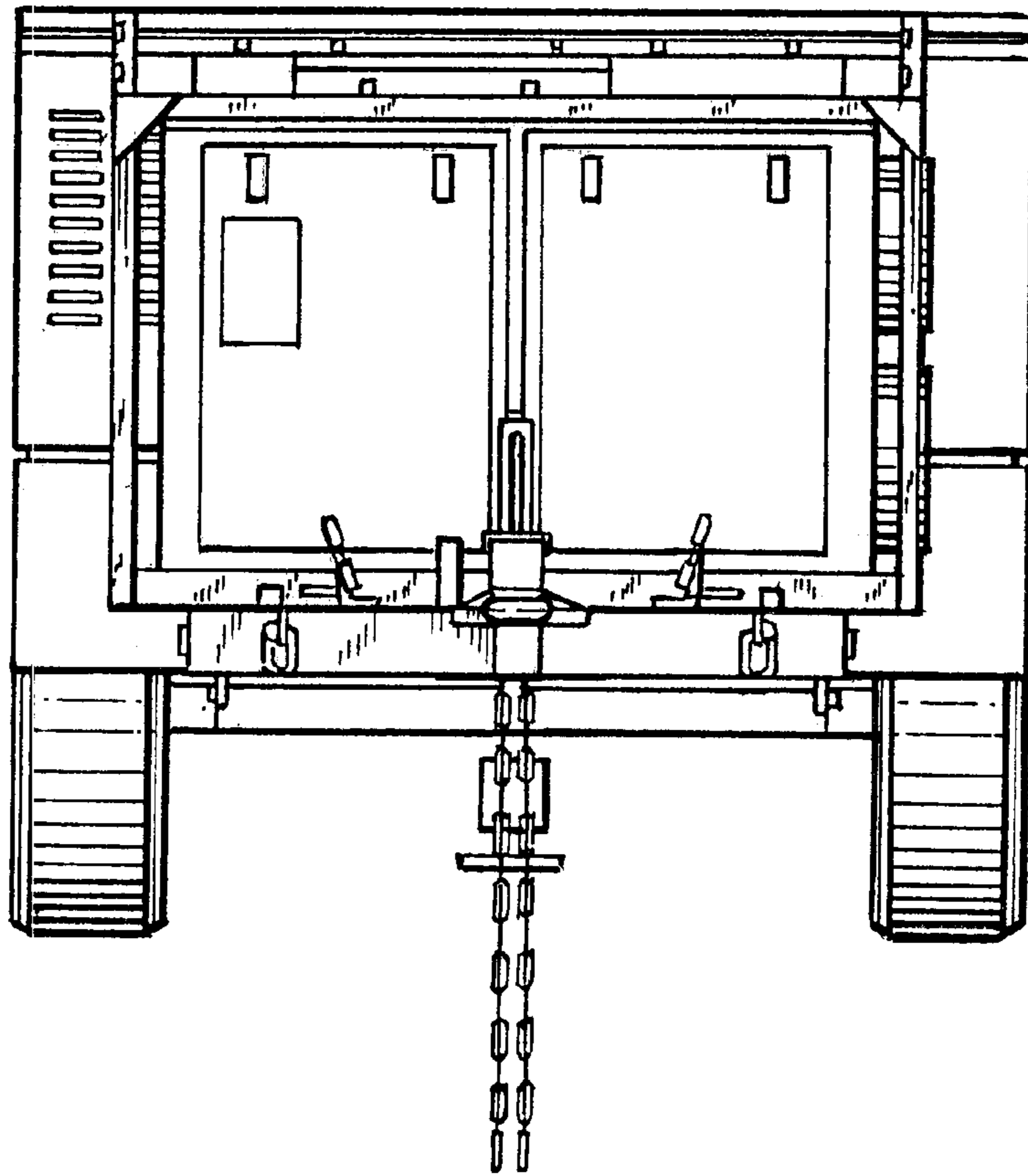


FIG.6

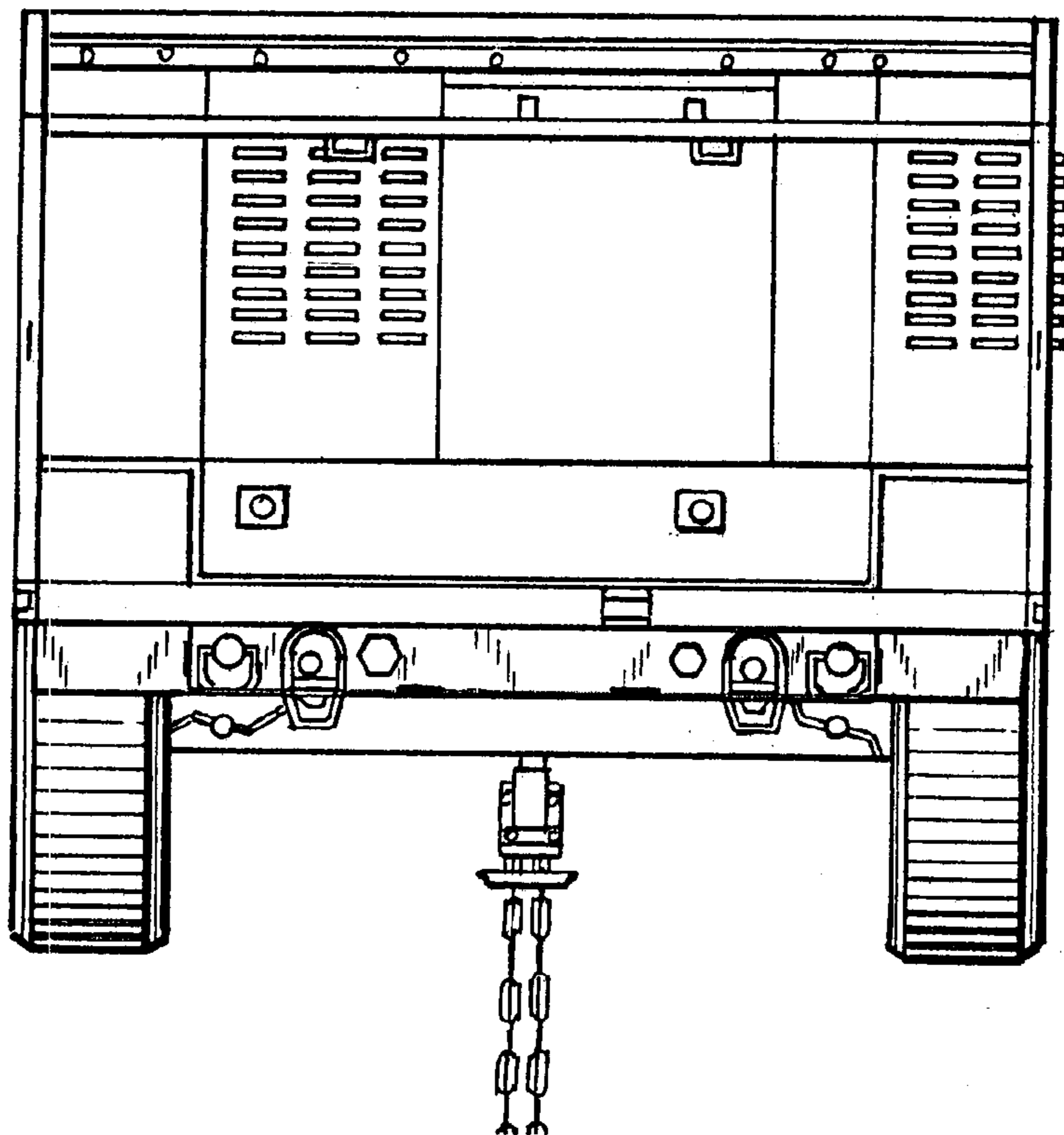


FIG.7

