

US00D578038S

(12) **United States Design Patent**
Kelley et al.

(10) **Patent No.:** **US D578,038 S**
(45) **Date of Patent:** **** Oct. 7, 2008**

(54) **PORTION OF AN OFF-HIGHWAY TRUCK**

(75) Inventors: **Craig B. Kelley**, Dunlap, IL (US); **Gary C. Bryant**, Chillicothe, IL (US); **John J. Maas**, Mount Zion, IL (US); **Colton T. Anderson**, Chillicothe, IL (US); **Kevin F. Stremlau**, Peoria, IL (US); **Brian R. Janes**, Chillicothe, IL (US)

(73) Assignee: **Caterpillar Inc.**, Peoria, IL (US)

(**) Term: **14 Years**

(21) Appl. No.: **29/285,212**

(22) Filed: **Mar. 23, 2007**

(51) **LOC (8) Cl.** **08-10**
(52) **U.S. Cl.** **D12/15; D15/10**
(58) **Field of Classification Search** D12/14,
D12/15, 93, 96; D15/10, 21, 22, 33; D21/554;
180/24.08, 22; 280/781, 124.132, 124.136;
296/183.2; 298/17 R, 22 P
See application file for complete search history.

(56) **References Cited**

U.S. PATENT DOCUMENTS

D184,217 S	1/1959	Eriacher et al.	
D188,314 S *	7/1960	Babbit et al.	D12/15
D224,651 S	8/1972	Lorenz	
D234,130 S *	1/1975	Kress	D12/15
D235,528 S	6/1975	Ahola	
3,938,238 A	2/1976	Kershaw et al.	
3,940,163 A *	2/1976	Davis et al.	280/6.15
D240,613 S *	7/1976	Thomas et al.	D12/15
4,307,300 A	12/1981	Kisami	
4,323,279 A *	4/1982	Domes et al.	298/23 DF
4,531,781 A *	7/1985	Hunt et al.	298/22 P
4,552,653 A *	11/1985	Sumino	209/421
D289,069 S	3/1987	Ohno	
D289,748 S	5/1987	Proeschl	
4,684,152 A	8/1987	Goodbary et al.	
5,033,794 A *	7/1991	Vick	298/22 R
5,472,062 A	12/1995	Nagai et al.	
5,476,285 A *	12/1995	Dickerson	280/781

5,520,442 A *	5/1996	Kisami et al.	298/17 R
5,797,657 A	8/1998	D'Amico	
6,022,068 A *	2/2000	D'Amico	296/183.2
6,086,076 A	7/2000	Prem et al.	
6,113,193 A	9/2000	Kunzeman	
6,129,409 A *	10/2000	D'Amico	296/183.2
6,175,788 B1	1/2001	Hasegawa et al.	
D440,261 S *	4/2001	Wei	D21/554
D458,943 S	6/2002	Briggs et al.	
D465,499 S	11/2002	Briggs et al.	

(Continued)

OTHER PUBLICATIONS

Rigid Dumper, RD 32, Astra, English Sep. 2005 (3 pps.).
New Rigid Dump Truck, RD 28, RD 32, Astra, Italian/English,
A9500079 - 85-2005, (2pps).

Primary Examiner—Stella M. Reid

Assistant Examiner—Mark A Goodwin

(74) *Attorney, Agent, or Firm*—Finnegan, Henderson,
Farabow, Garrett & Dunner

(57) **CLAIM**

The ornamental design for a portion of an off-highway truck,
as shown and described.

DESCRIPTION

FIG. 1 is a front view of a portion of an off-highway truck,
showing our new design;

FIG. 2 is a left view thereof;

FIG. 3 is a rear view thereof;

FIG. 4 is a right view thereof;

FIG. 5 is a top view thereof;

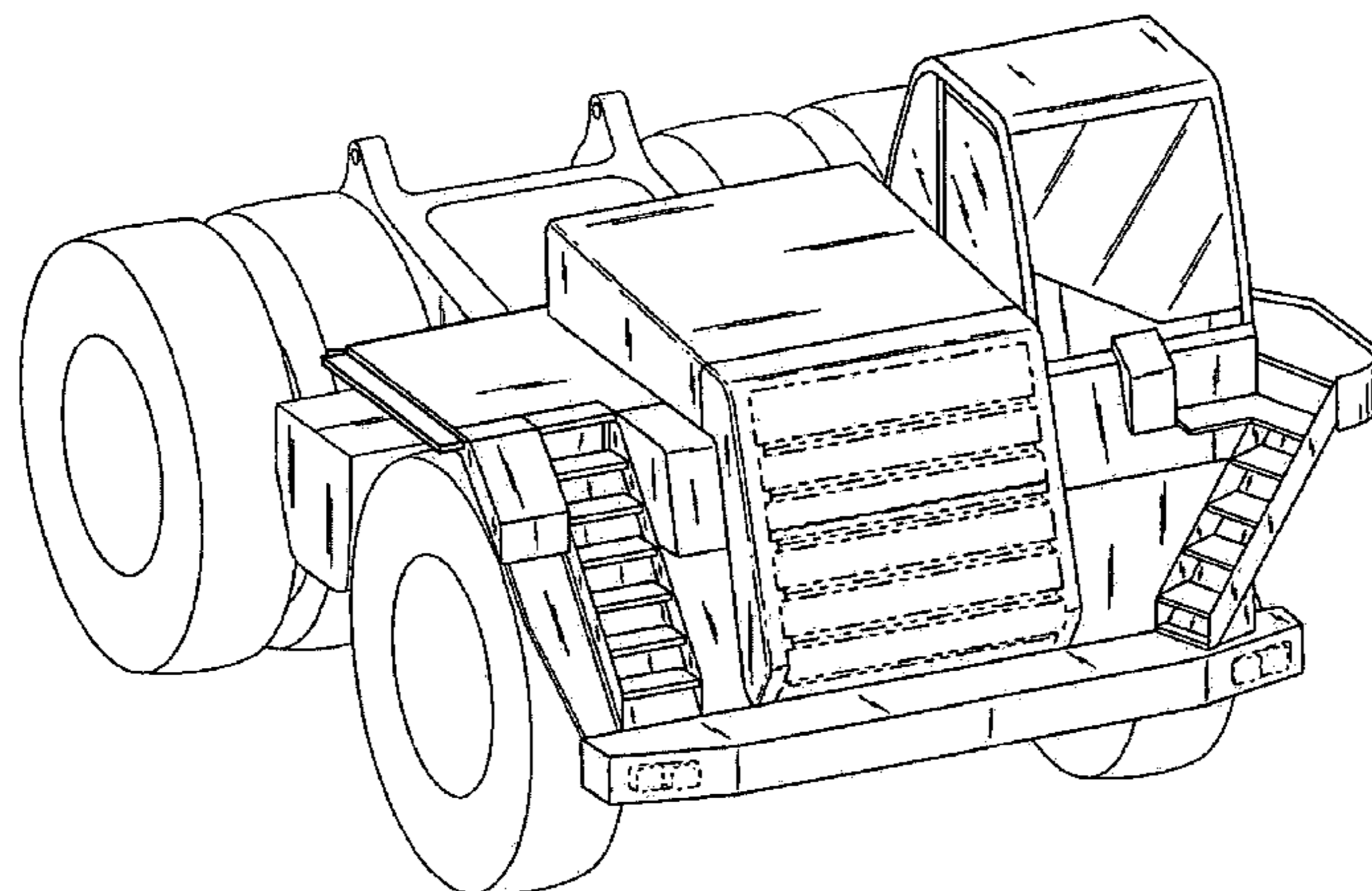
FIG. 6 is a left, front perspective view thereof; and,

FIG. 7 is a right, front perspective view thereof.

The bottom view forms no part of the claimed design.

The elements depicted in dashed lines form no part of the
ornamental design.

1 Claim, 7 Drawing Sheets



US D578,038 S

Page 2

U.S. PATENT DOCUMENTS					
			2004/0036245	A1	2/2004 Mollhagen
6,542,851	B2	4/2003 Hasegawa et al.	2004/0102907	A1	5/2004 Lueschow et al.
6,588,539	B2	7/2003 Hinton et al.	2004/0104596	A1	6/2004 Bender
6,935,678	B1	8/2005 Laban et al.	2005/0040695	A1	2/2005 Kinoshita
7,100,256	B2	9/2006 D'Amico et al.	2006/0080818	A1	4/2006 D'Amico et al.
7,131,670	B2	11/2006 Kinoshita	2007/0101818	A1	5/2007 Kabrich et al.
D545,473	S	6/2007 Nunes	2007/0114092	A1	5/2007 Khalil et al.
2002/0103623	A1	8/2002 Hasegawa et al.			
2002/0185890	A1*	12/2002 Hagenbuch 296/184			* cited by examiner

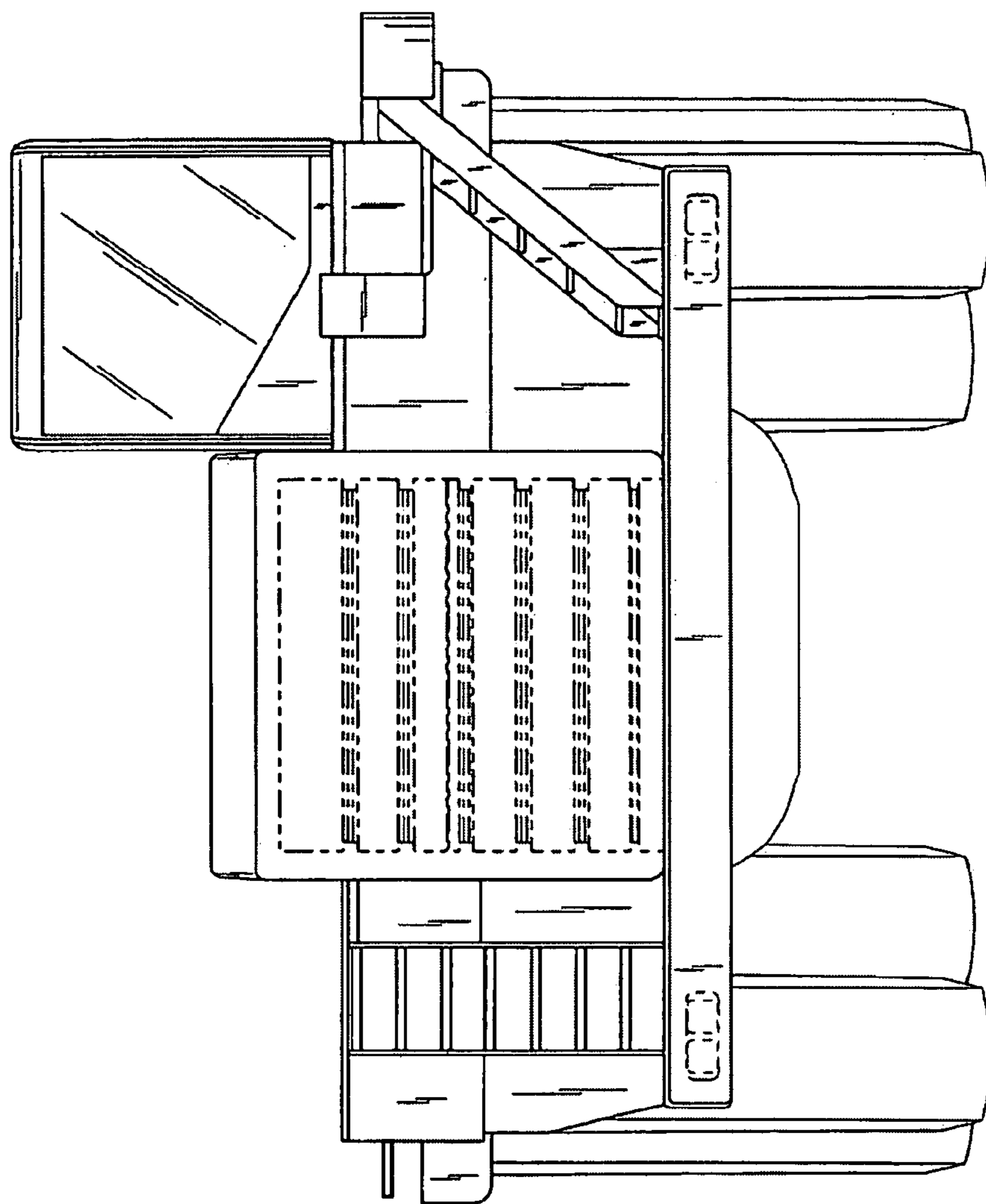


FIG. 1

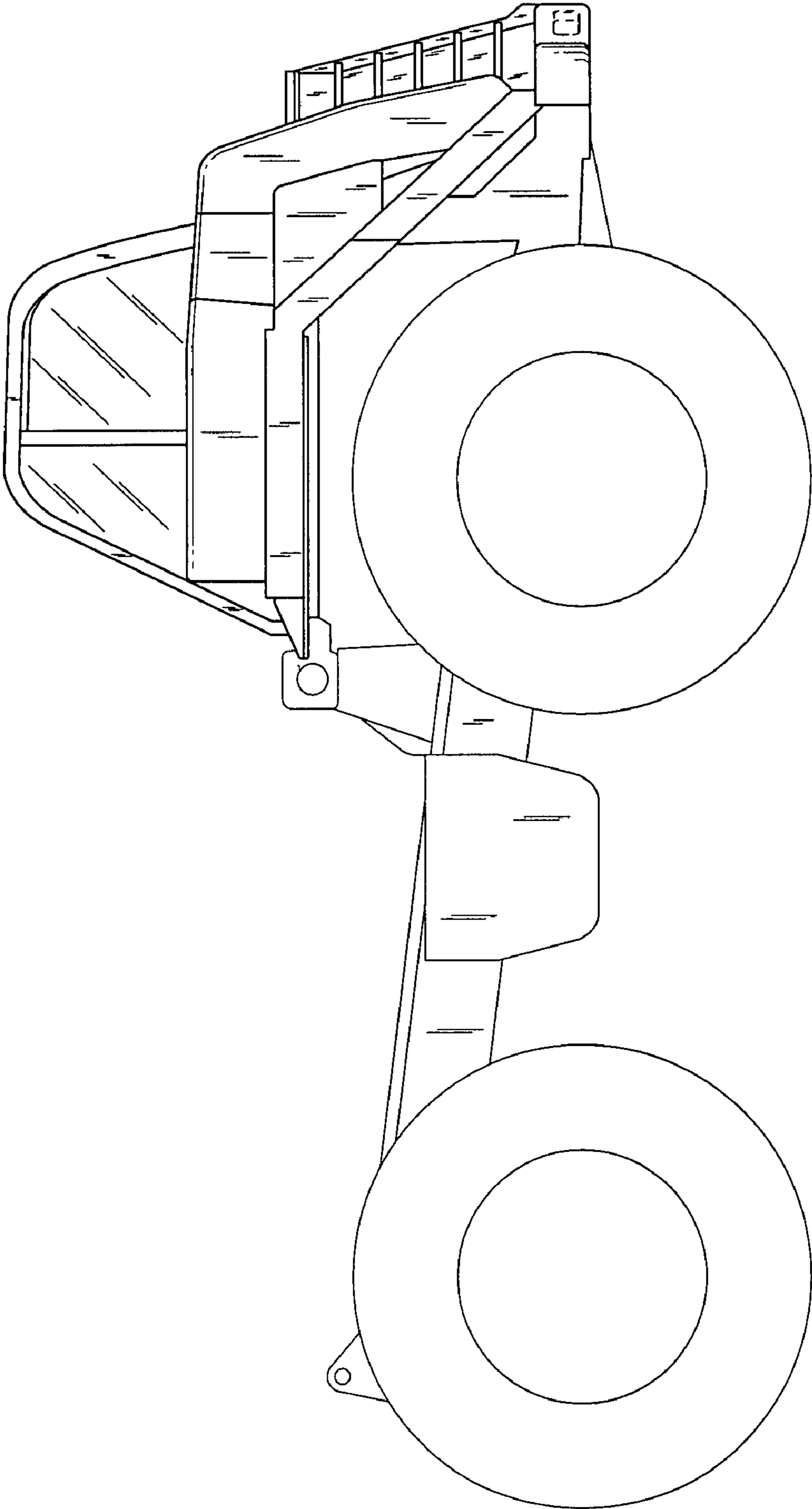


FIG. 2

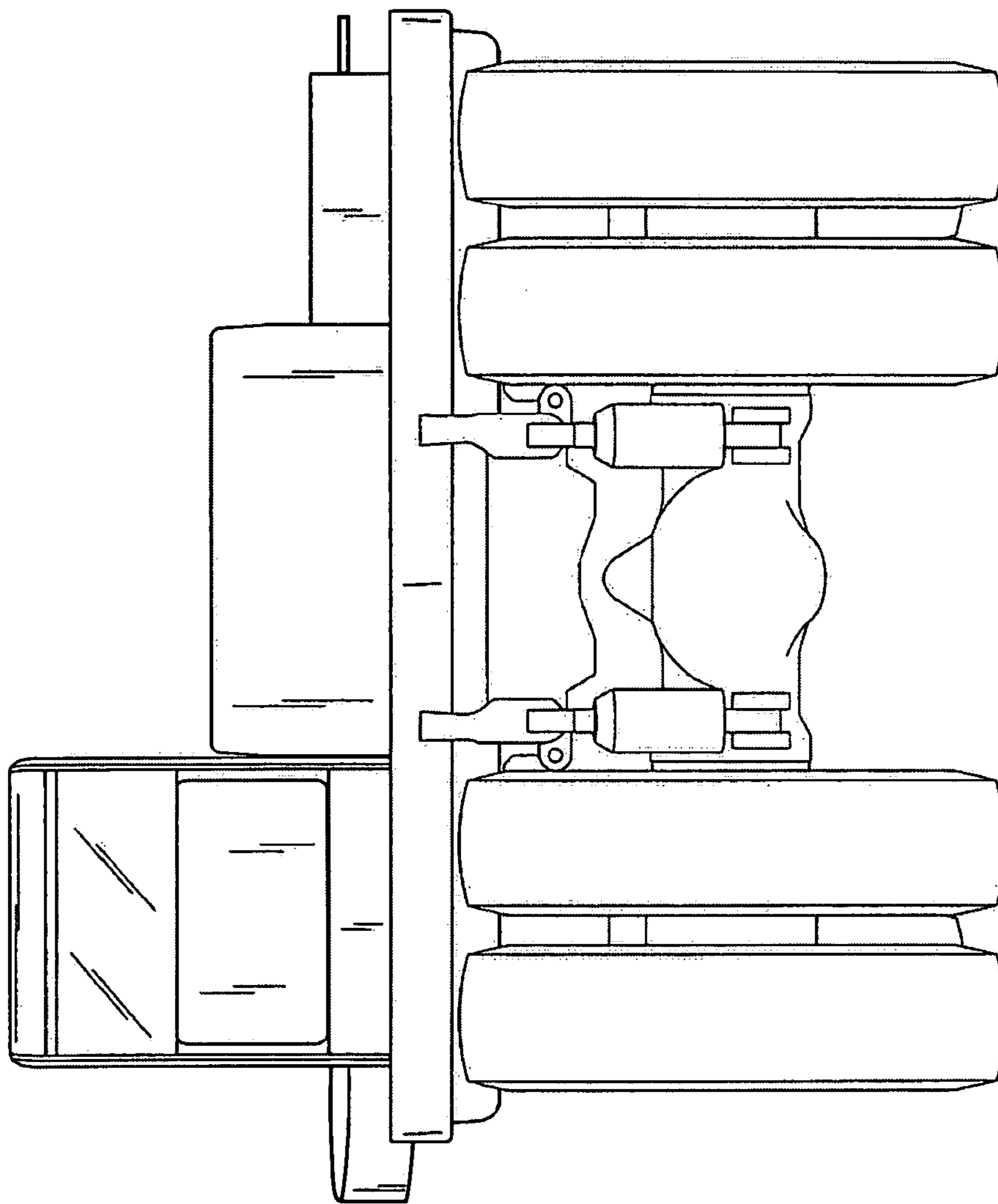


FIG. 3

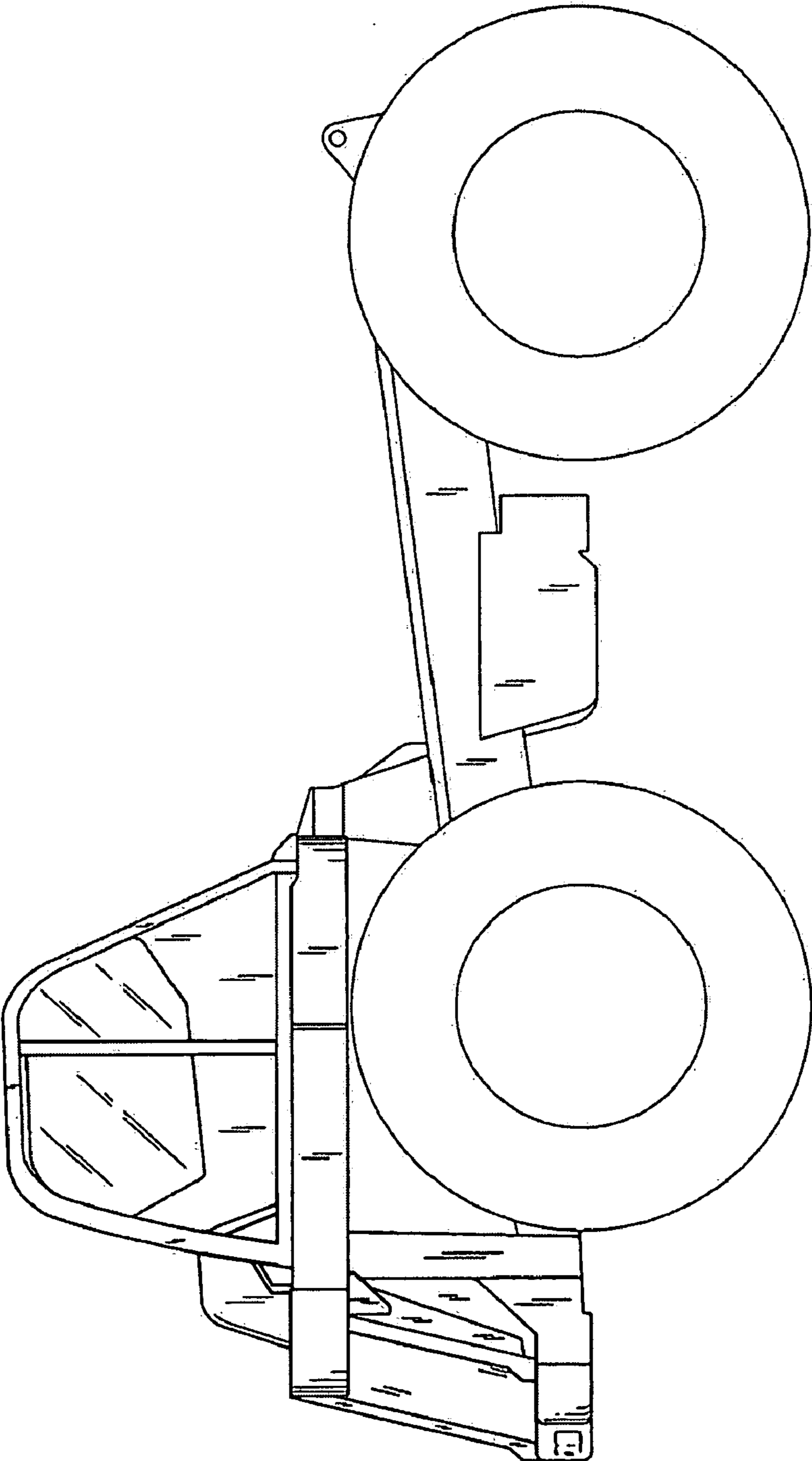


FIG. 4

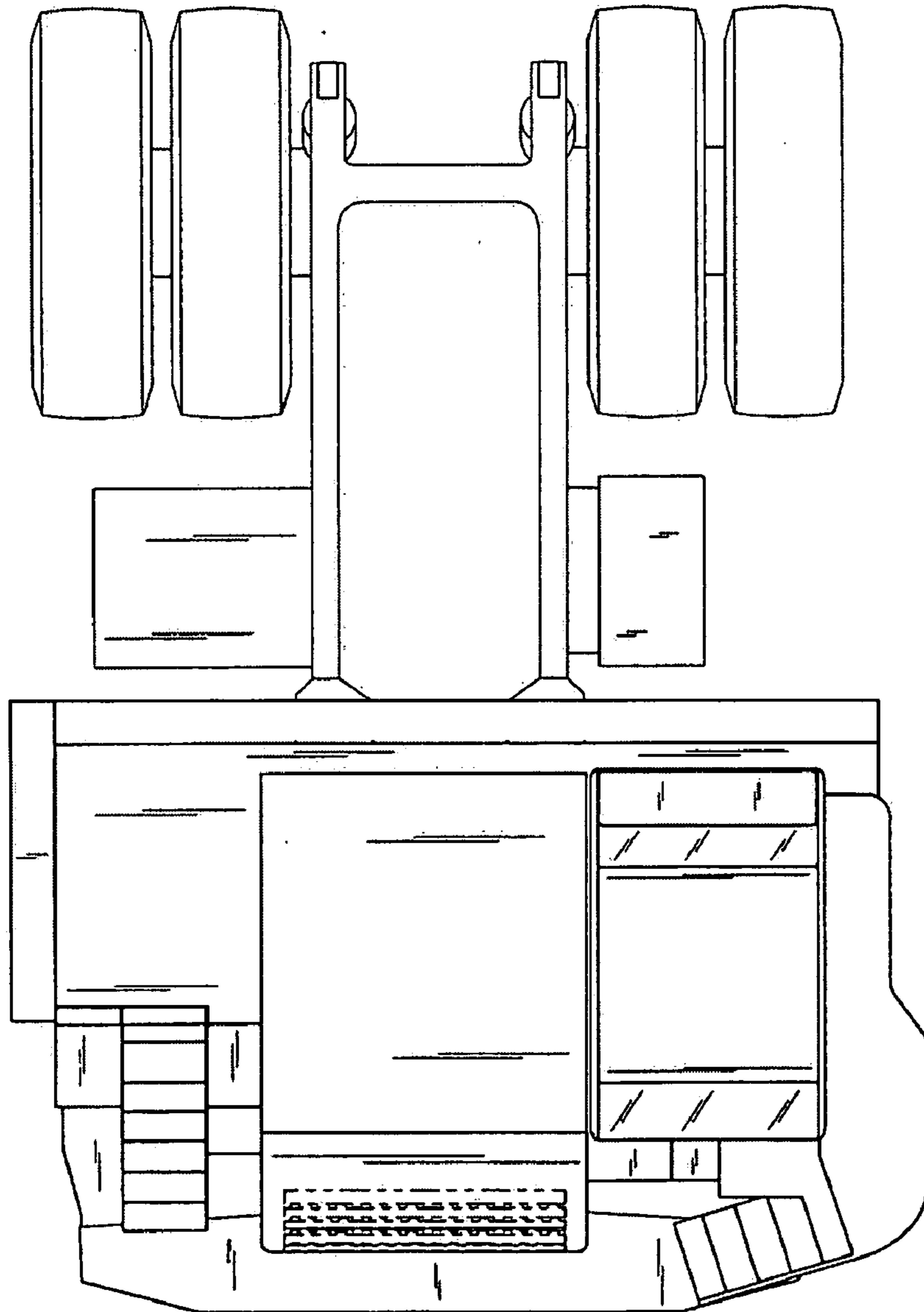


FIG. 5

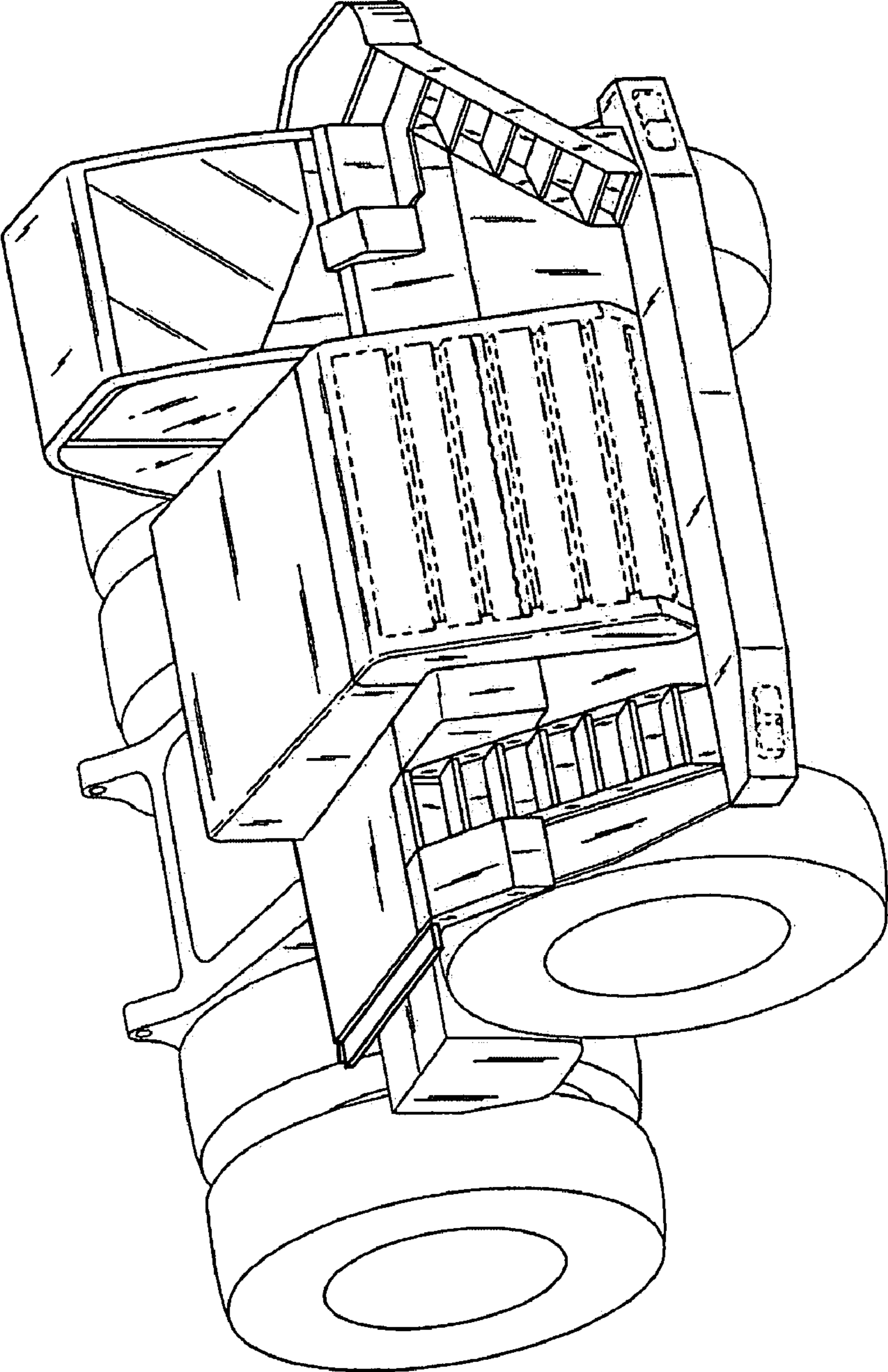


FIG. 6

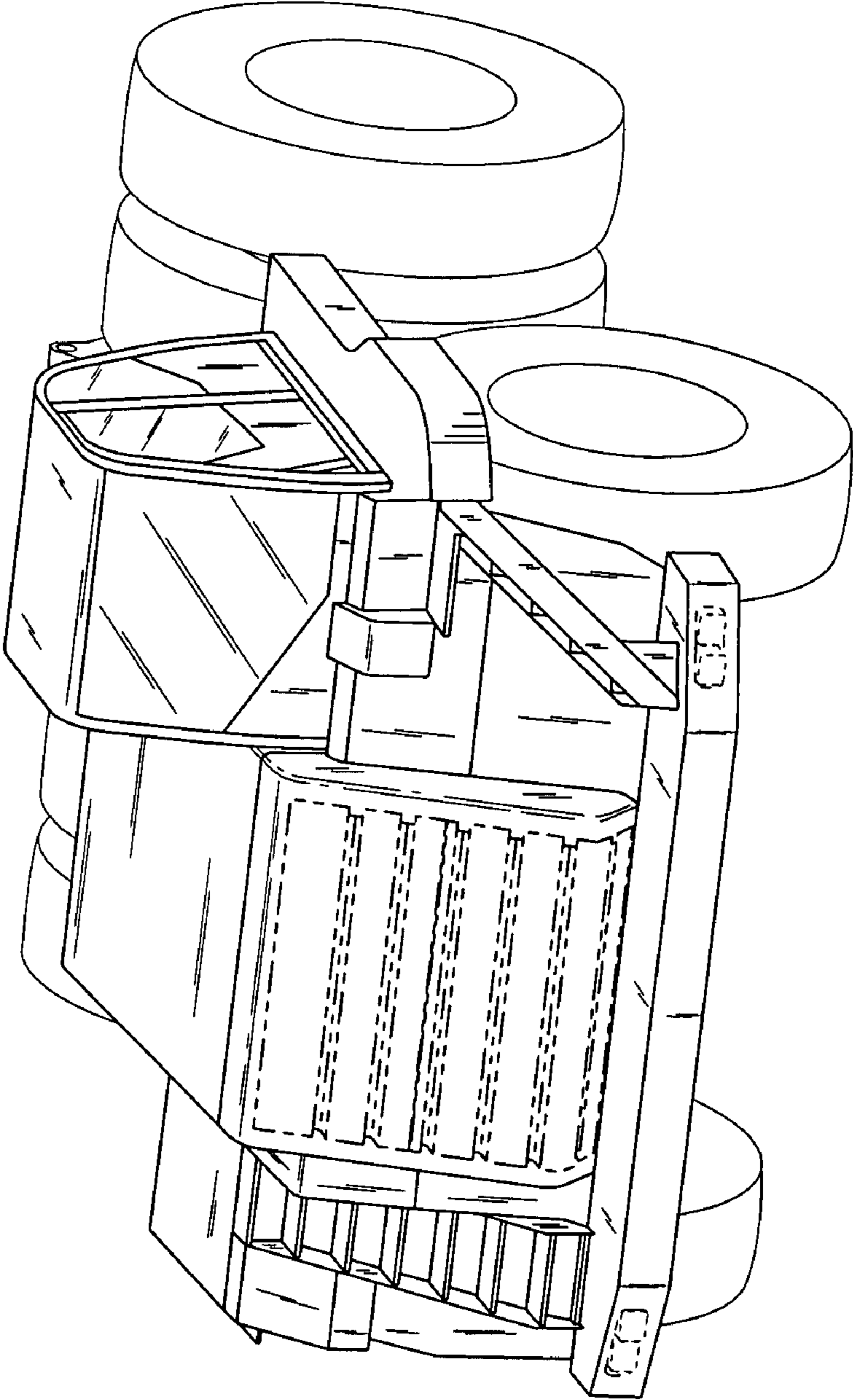


FIG. 7