



US00D578037S

(12) **United States Design Patent**  
**Edocs**

(10) **Patent No.:** **US D578,037 S**

(45) **Date of Patent:** **\*\* Oct. 7, 2008**

(54) **CUFFLINK**

(75) Inventor: **Janos Pista Edocs**, Ipsach (CH)

(73) Assignee: **Milas International S.A.** (CH)

(\*\*) Term: **14 Years**

(21) Appl. No.: **29/302,394**

(22) Filed: **Jan. 16, 2008**

(51) **LOC (8) Cl.** ..... **02-07**

(52) **U.S. Cl.** ..... **D11/222**

(58) **Field of Classification Search** ..... D11/222-228,  
D11/200, 213-216; 24/41-47, 114.1, 114.8,  
24/102 R, 102 P, 102 A; 63/26

See application file for complete search history.

(56) **References Cited**

**U.S. PATENT DOCUMENTS**

D377,919 S *	2/1997	Singer et al.	.....	D11/226
D415,068 S *	10/1999	Calvani	.....	D11/222
D449,564 S *	10/2001	Platt	.....	D11/222
D547,236 S *	7/2007	Arasheben et al.	.....	D11/222

\* cited by examiner

*Primary Examiner*—Catherine R Oliver  
(74) *Attorney, Agent, or Firm*—Galbreath Law Offices, P.C.;  
John A. Galbreath

(57) **CLAIM**

The ornamental design for a cufflink, as shown and described.

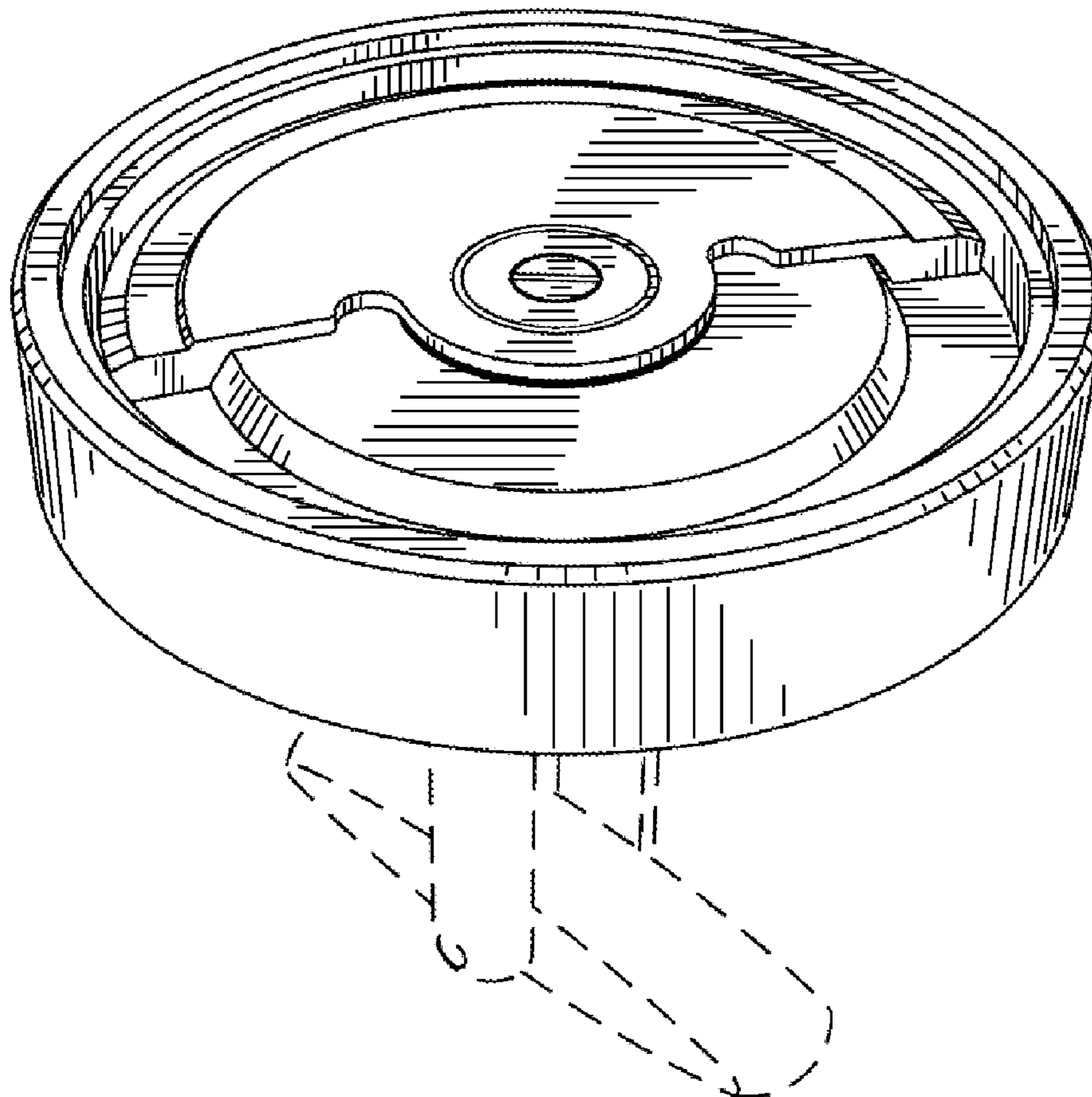
**DESCRIPTION**

FIG. 1 is a perspective view of the invention;  
FIG. 2 is a second perspective view of the invention;  
FIG. 3 is a top view of the invention;  
FIG. 4 is a front view of the invention, with the rear view  
being the same; and,  
FIG. 5 is a side view of the invention, with the other side view  
being the same.

Please note that the particular visual features of the cufflink  
that are new and distinctive are indicated by the features in  
solid lines in the figures. The features shown by dashed lines  
in the figures are to be disregarded when construing visual  
features of the design.

The broken line showing of environment in the drawings is  
included for the purpose of illustrating only and forms no part  
of the claimed design.

**1 Claim, 3 Drawing Sheets**



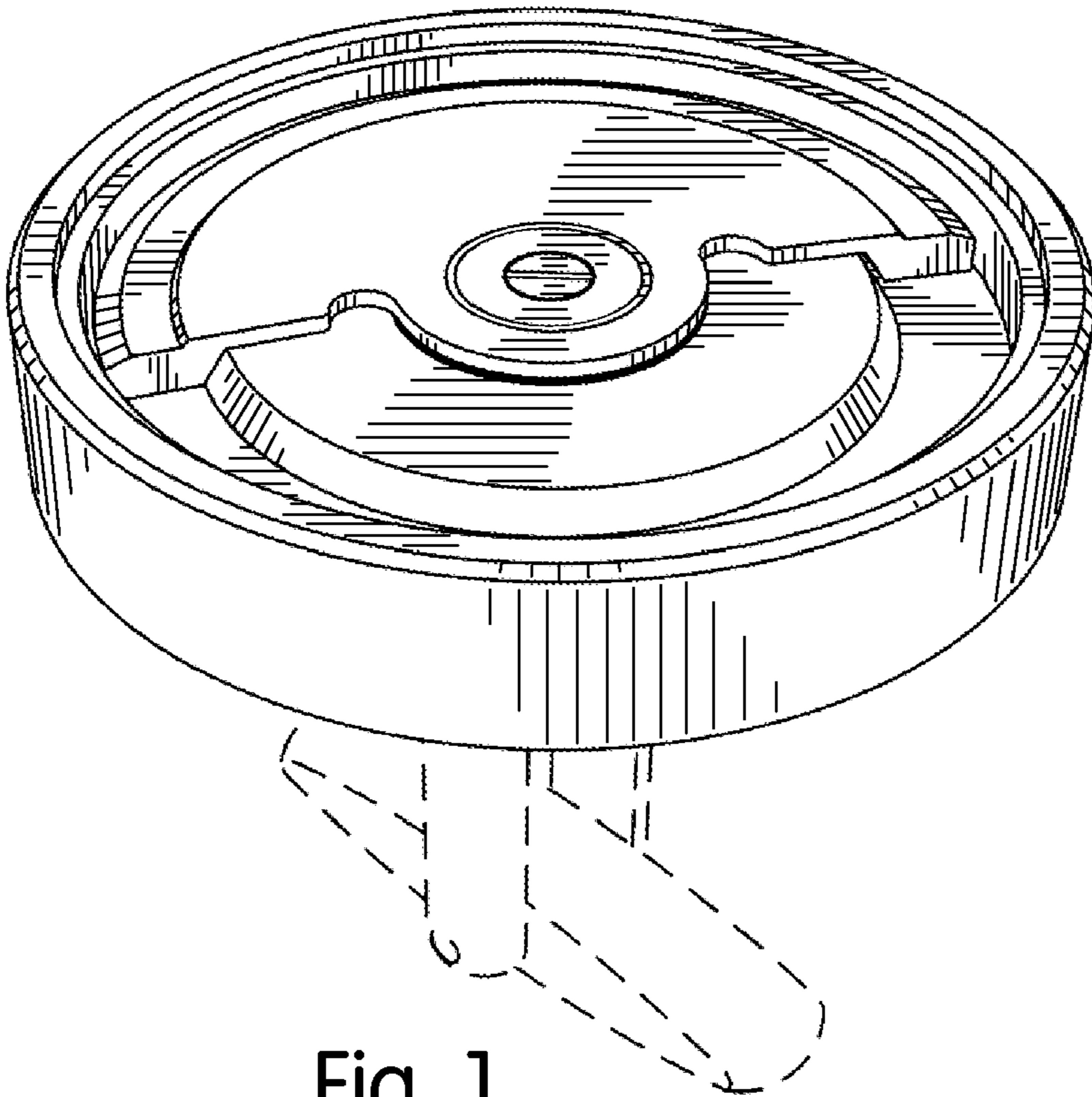


Fig. 1

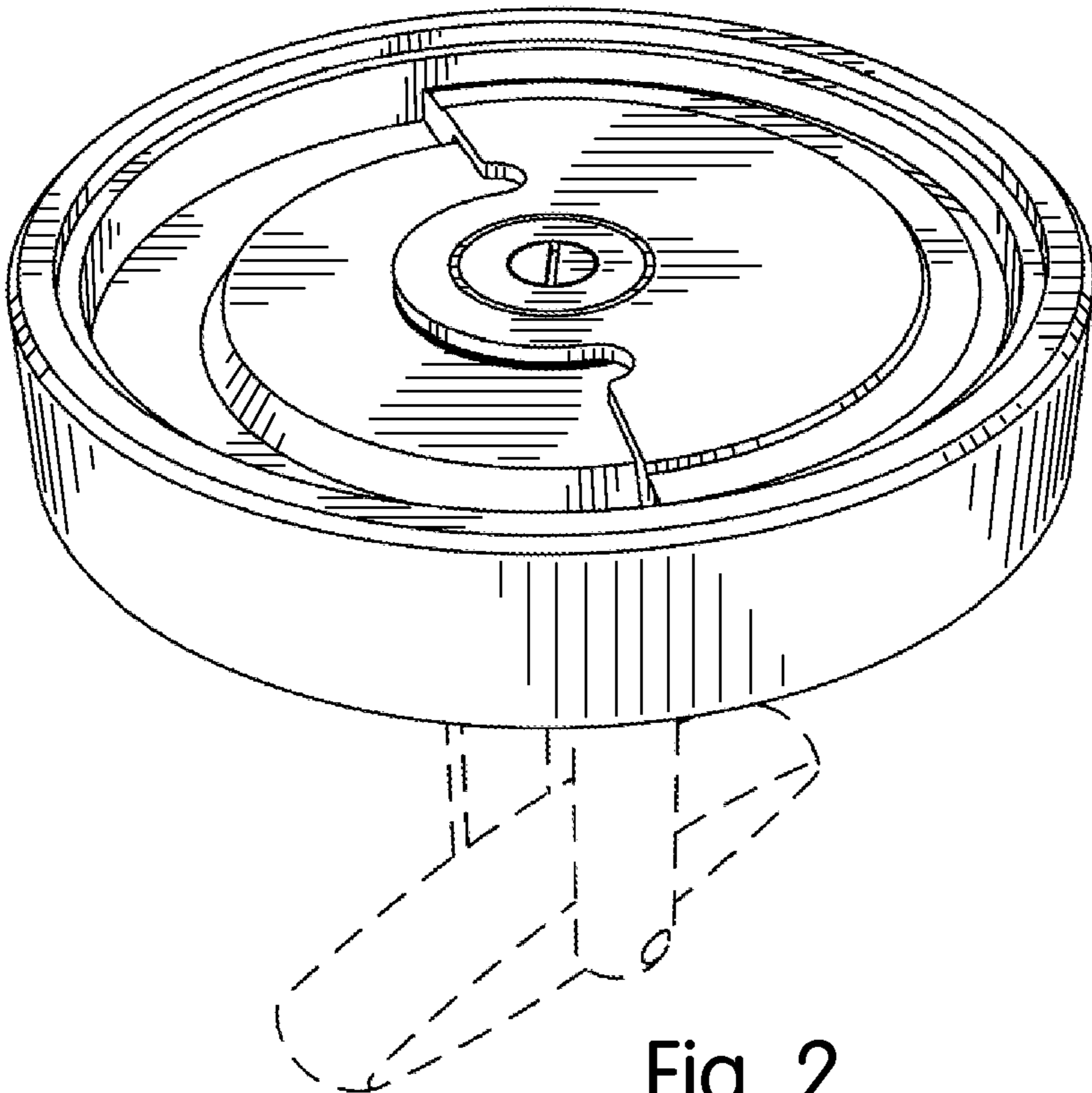


Fig. 2

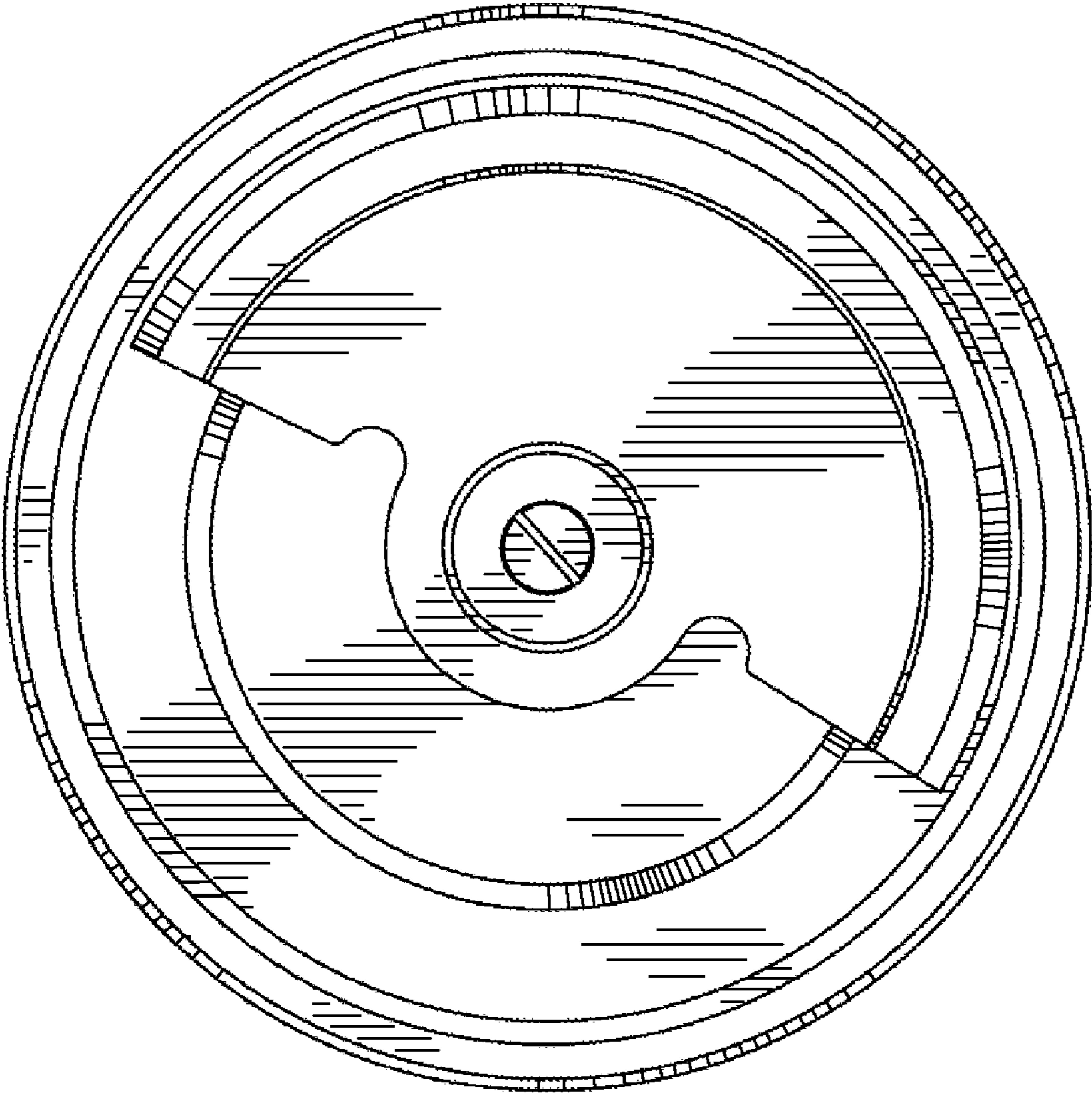


Fig. 3

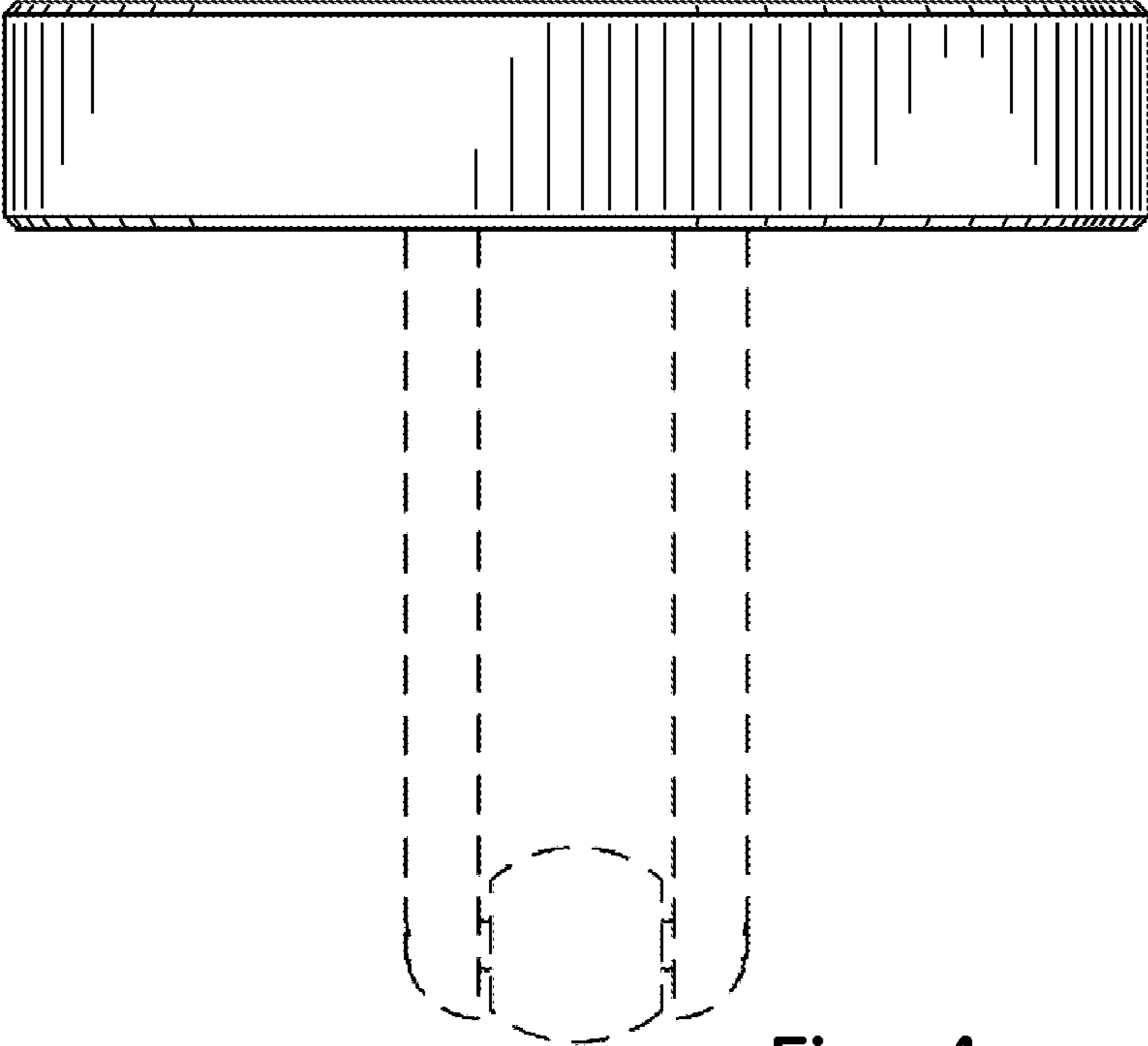


Fig. 4

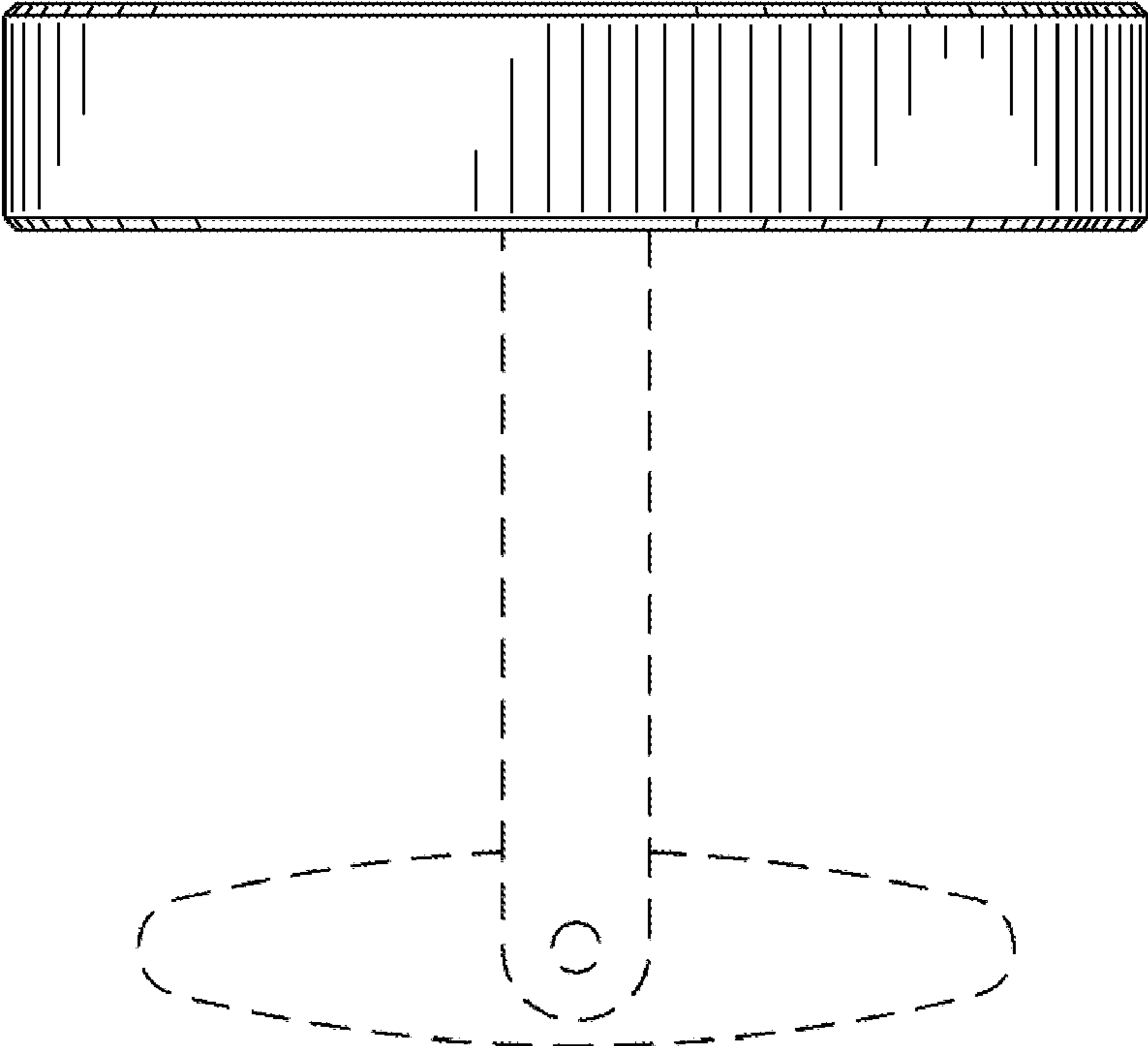


Fig. 5