



US00D578036S

(12) **United States Design Patent**
Dea

(10) **Patent No.:** **US D578,036 S**

(45) **Date of Patent:** **** Oct. 7, 2008**

(54) **FLOWER RECEPTACLE**

D538,706 S * 3/2007 Williams D11/149
D542,567 S * 5/2007 Lepkowski D6/404

(76) Inventor: **Leon Dea**, 101 Deerfield Rd., Bristol,
CT (US) 06010

* cited by examiner

(**) Term: **14 Years**

Primary Examiner—Robert M. Spear
Assistant Examiner—Garth Rademaker
(74) *Attorney, Agent, or Firm*—Cantor Colburn LLP

(21) Appl. No.: **29/298,715**

(22) Filed: **Dec. 12, 2007**

(57) **CLAIM**

(51) **LOC (8) Cl.** **11-02**

The ornamental design for a flower receptacle, as shown and described.

(52) **U.S. Cl.** **D11/149**

(58) **Field of Classification Search** D6/403–405,
D6/556–558; D9/629; D11/143, 144, 146–149,
D11/152; D25/100; 47/33, 39, 41.01, 41.1,
47/41.12–41.14, 43–47, 65.5, 70; 248/27.8
See application file for complete search history.

DESCRIPTION

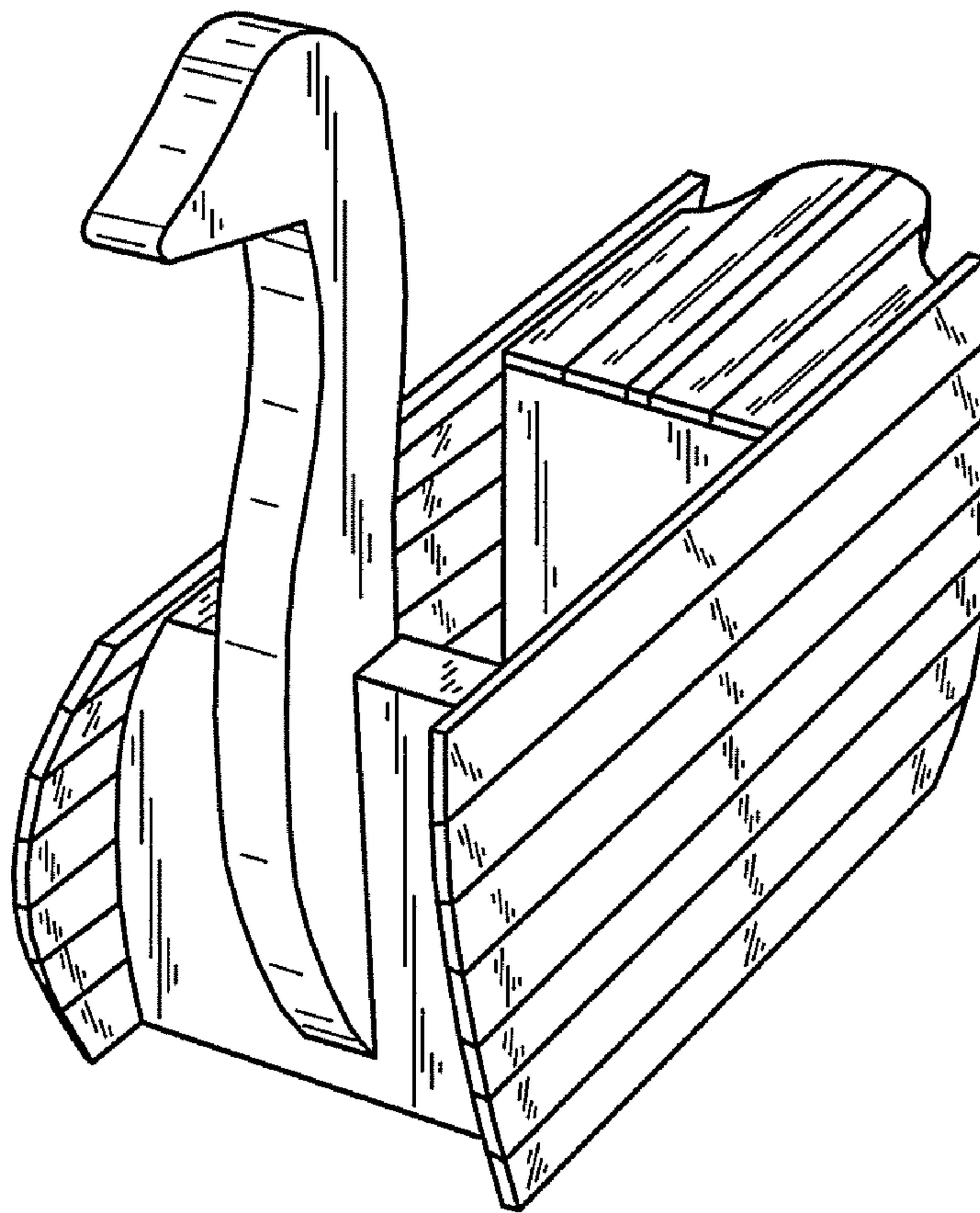
FIG. 1 is a front perspective view of a flower receptacle, showing my new design;
FIG. 2 is a right side view thereof;
FIG. 3 is a left side view thereof;
FIG. 4 is a front view;
FIG. 5 is a back view thereof;
FIG. 6 is a top view thereof;
FIG. 7 is a bottom view thereof; and,
FIG. 8 is a front perspective view thereof, with environmental subject matter shown in broken lines and forming no part of the claimed design.

(56) **References Cited**

U.S. PATENT DOCUMENTS

D118,362 S *	1/1940	Berbus	D11/147
D140,823 S *	4/1945	Moncer	D11/149
D253,943 S *	1/1980	Bales	D11/149
4,258,503 A *	3/1981	Bales	47/41.12
D298,197 S *	10/1988	Bussell	D11/149
D309,587 S *	7/1990	Vicenes	D11/149
D348,164 S *	6/1994	Hollinger	D6/539
D486,419 S *	2/2004	Weiser et al.	D11/149

1 Claim, 3 Drawing Sheets



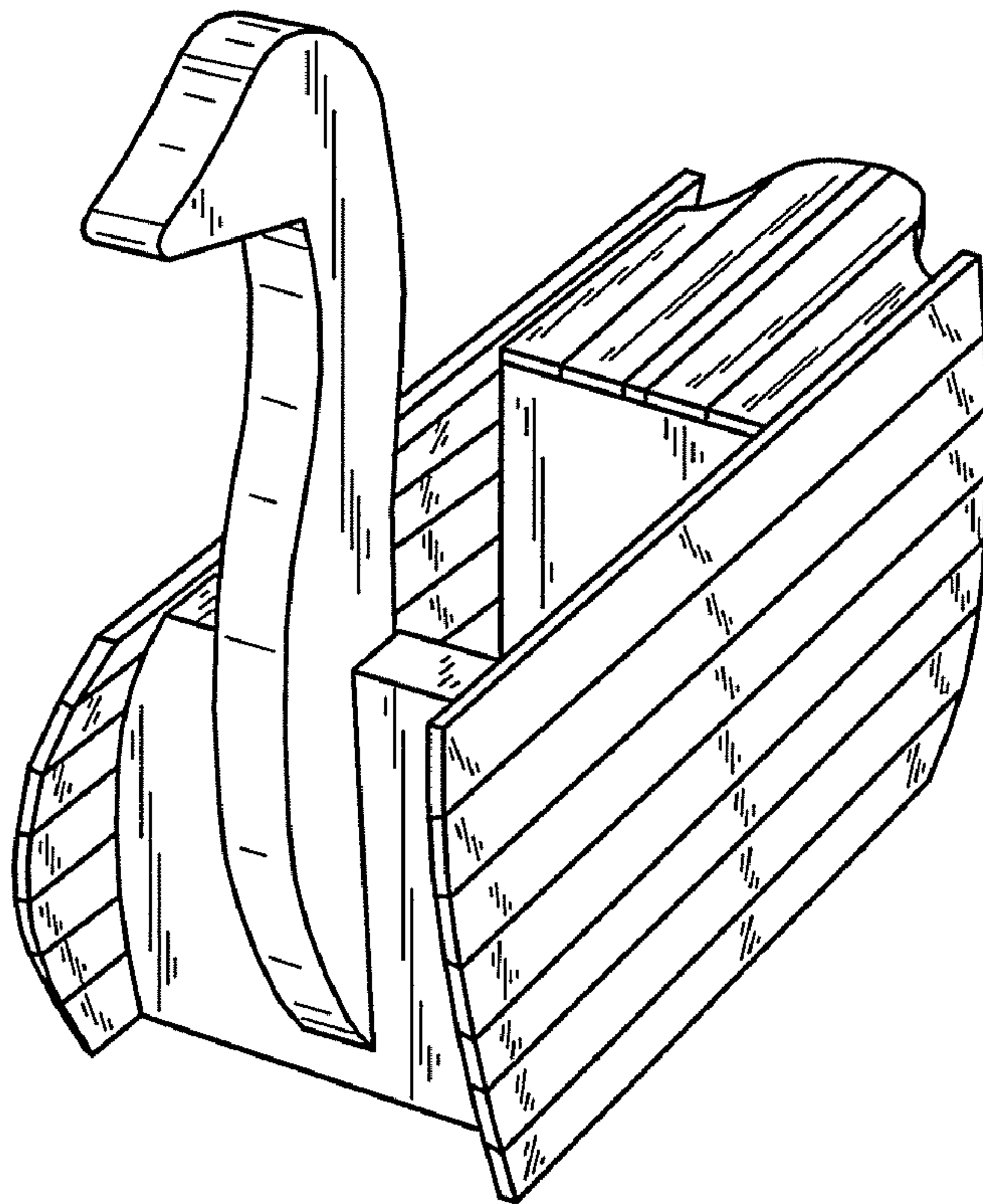


FIG. 1

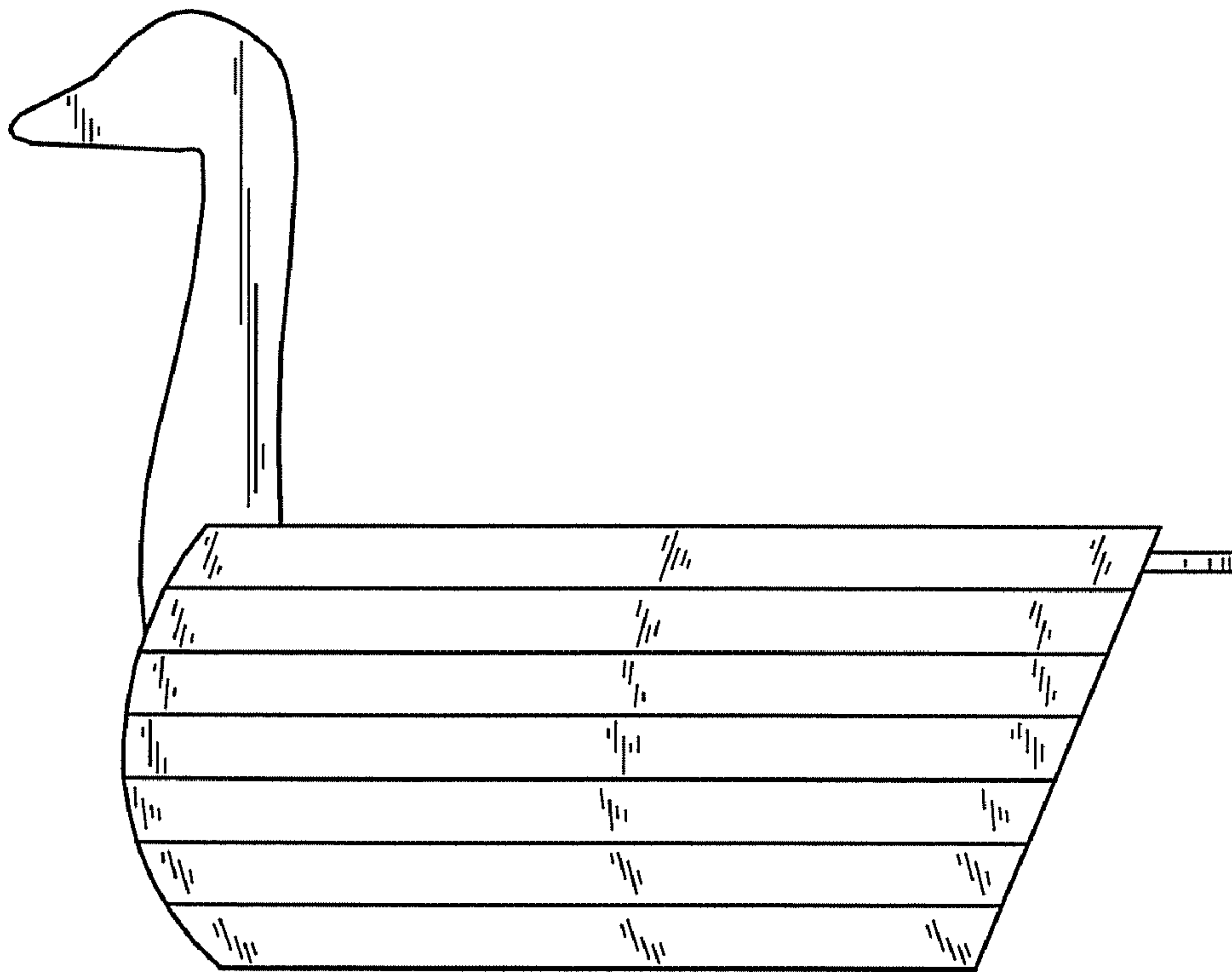


FIG. 2

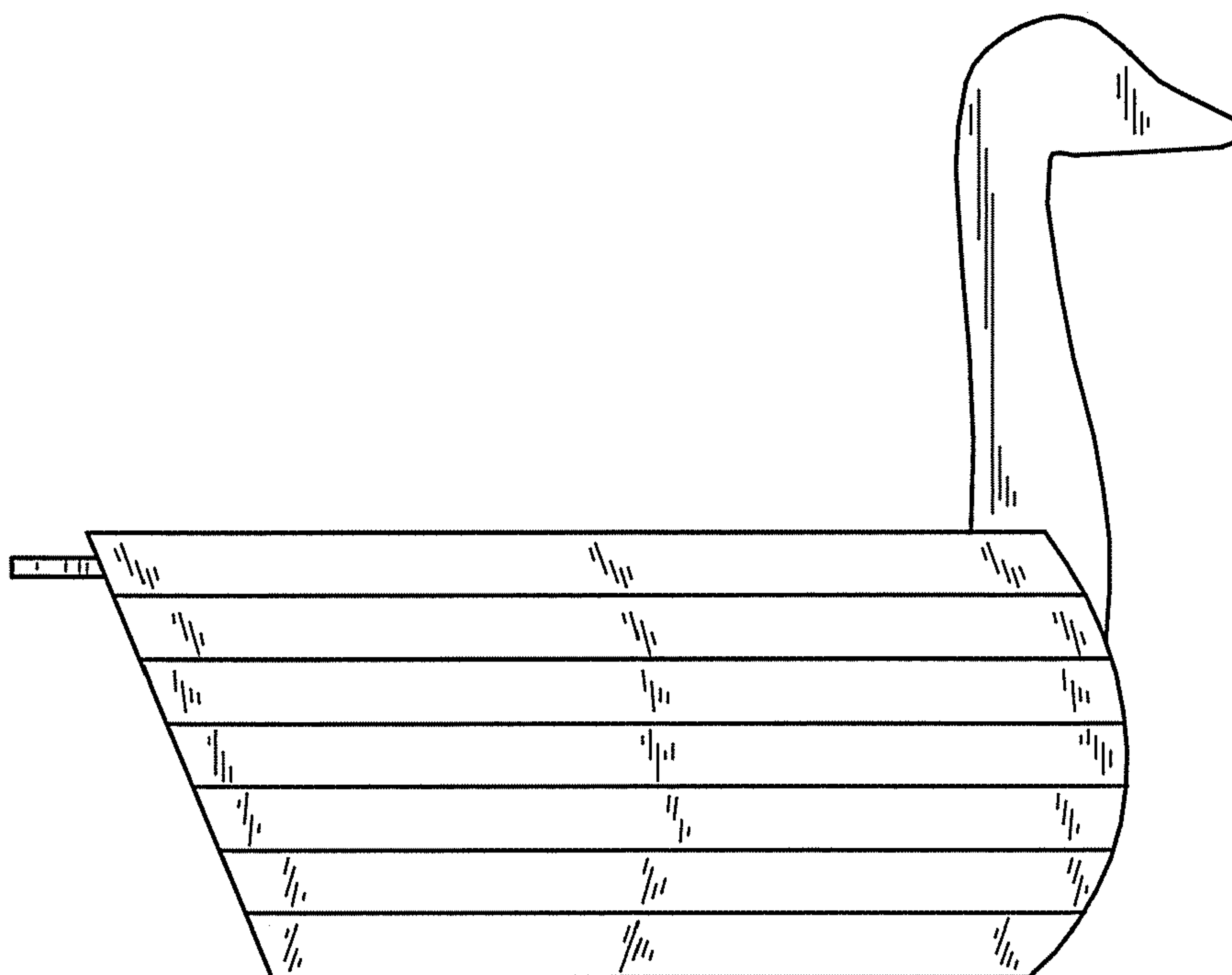


FIG. 3

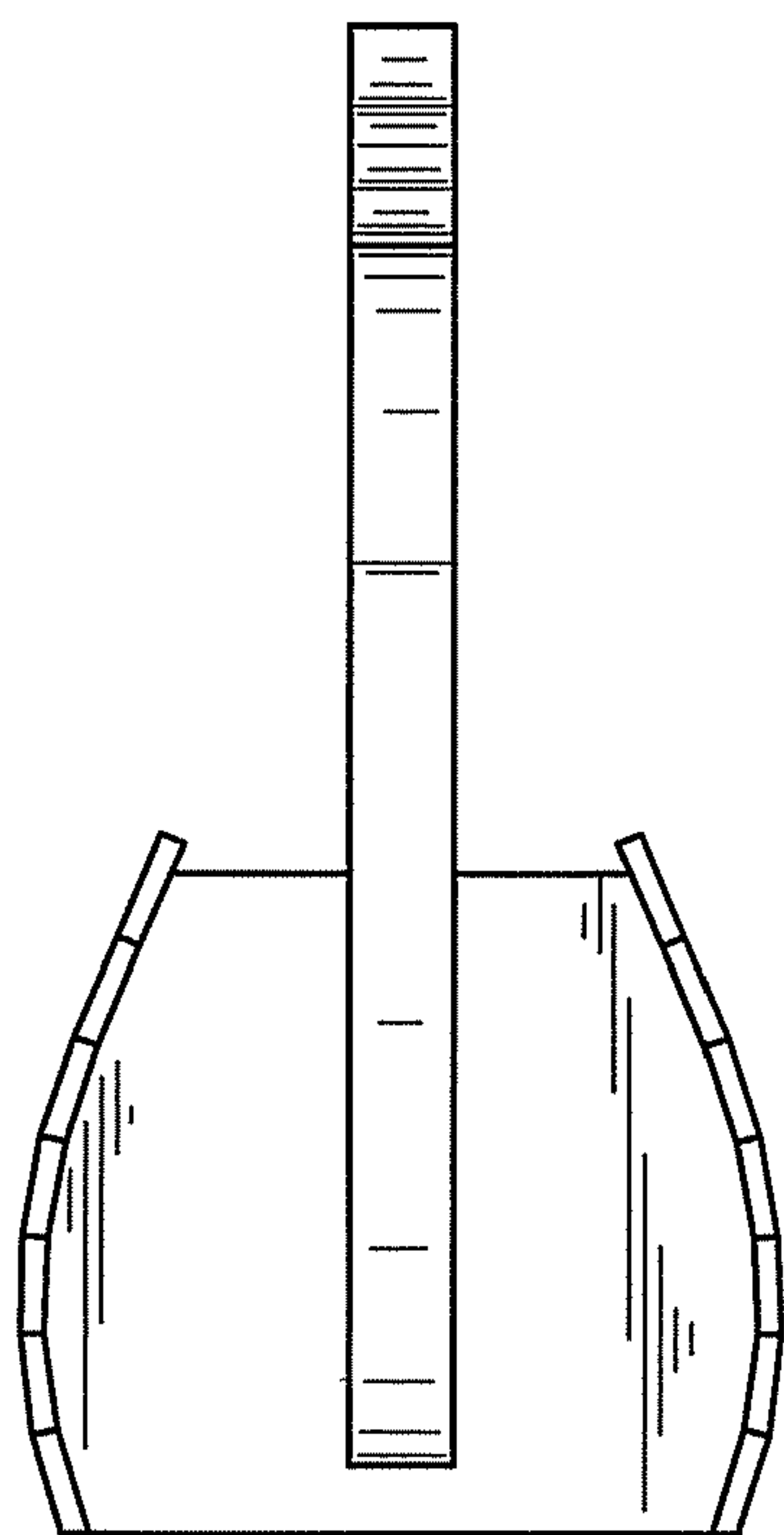


FIG. 4

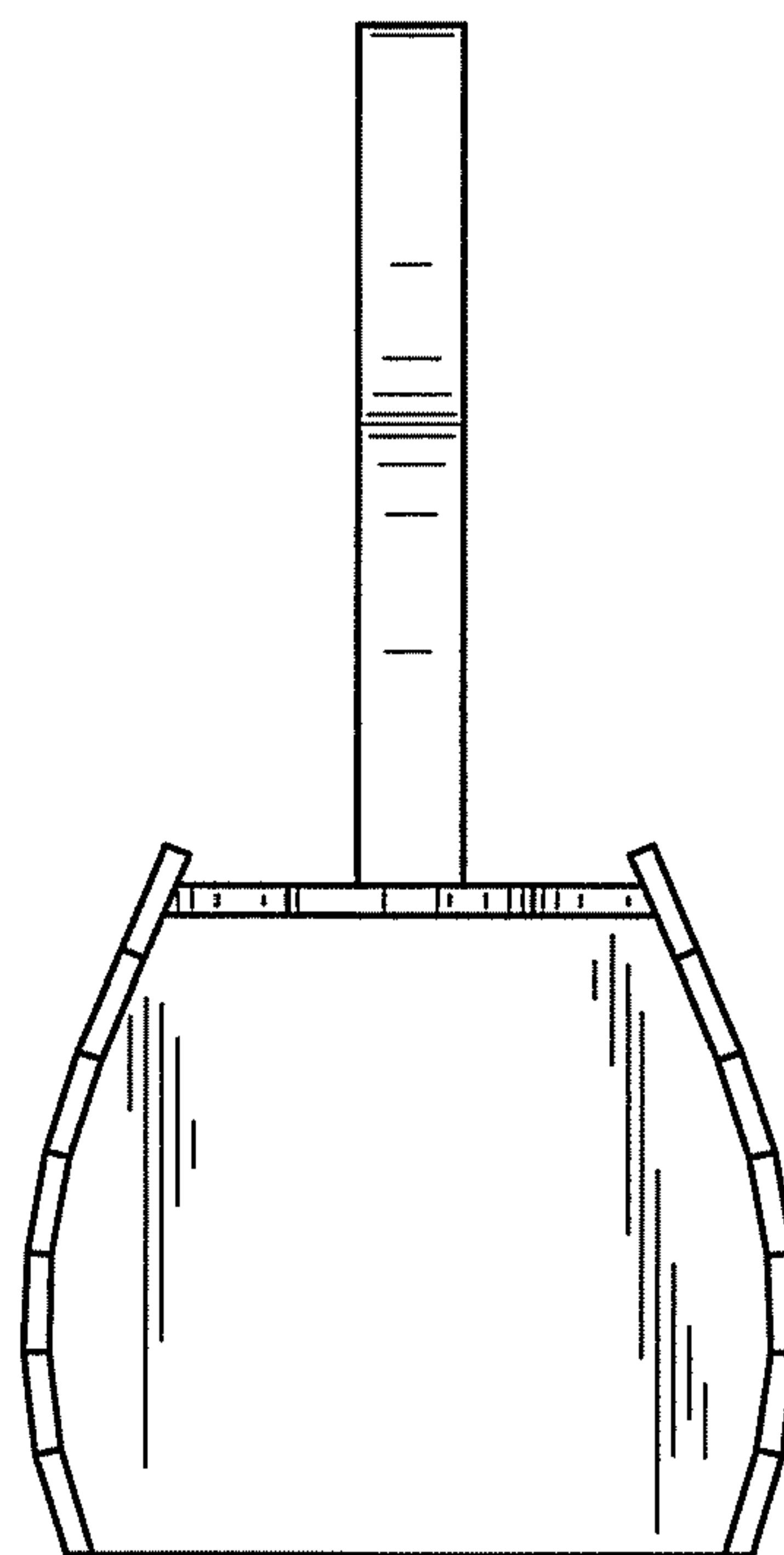


FIG. 5

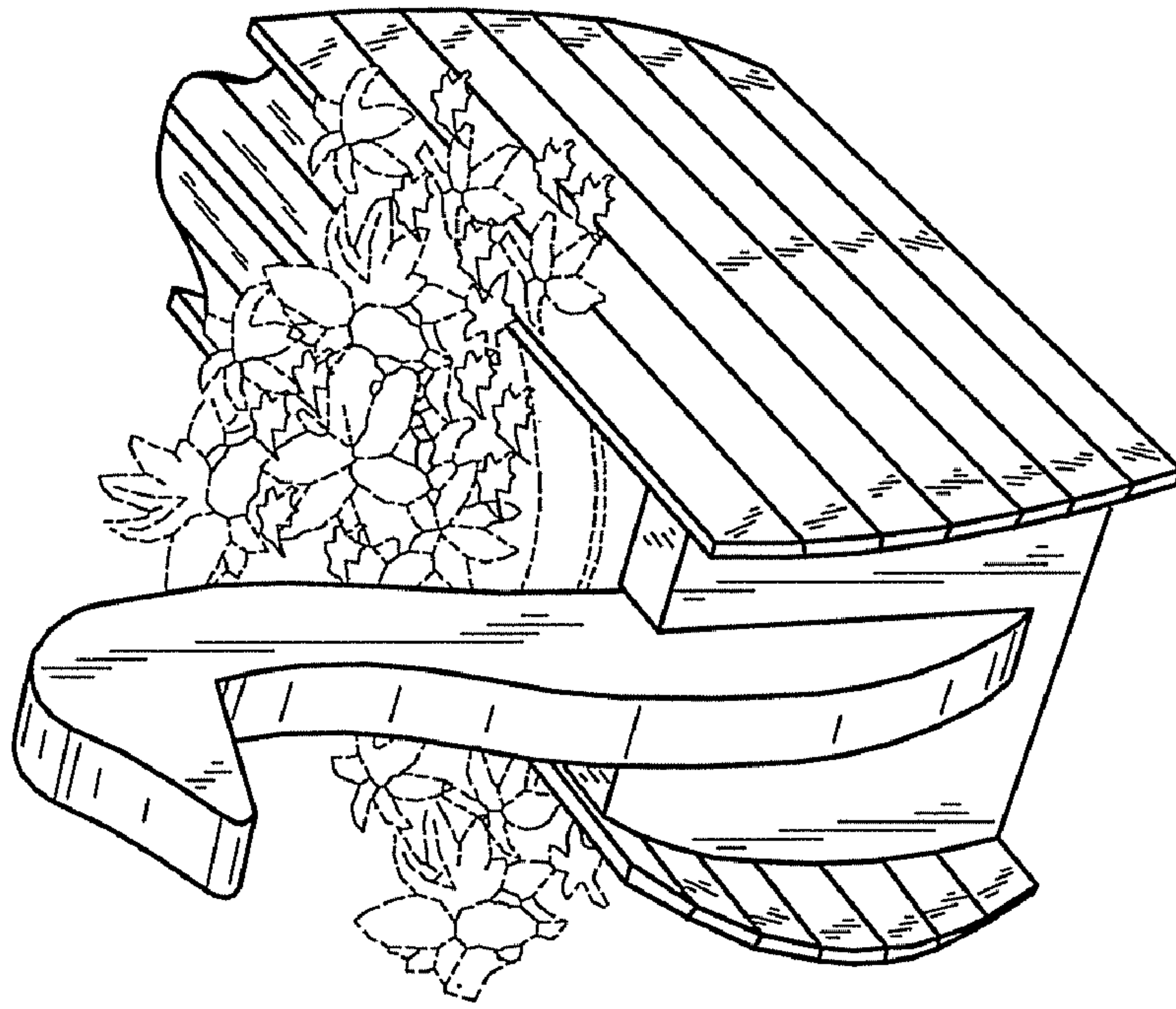


FIG. 8

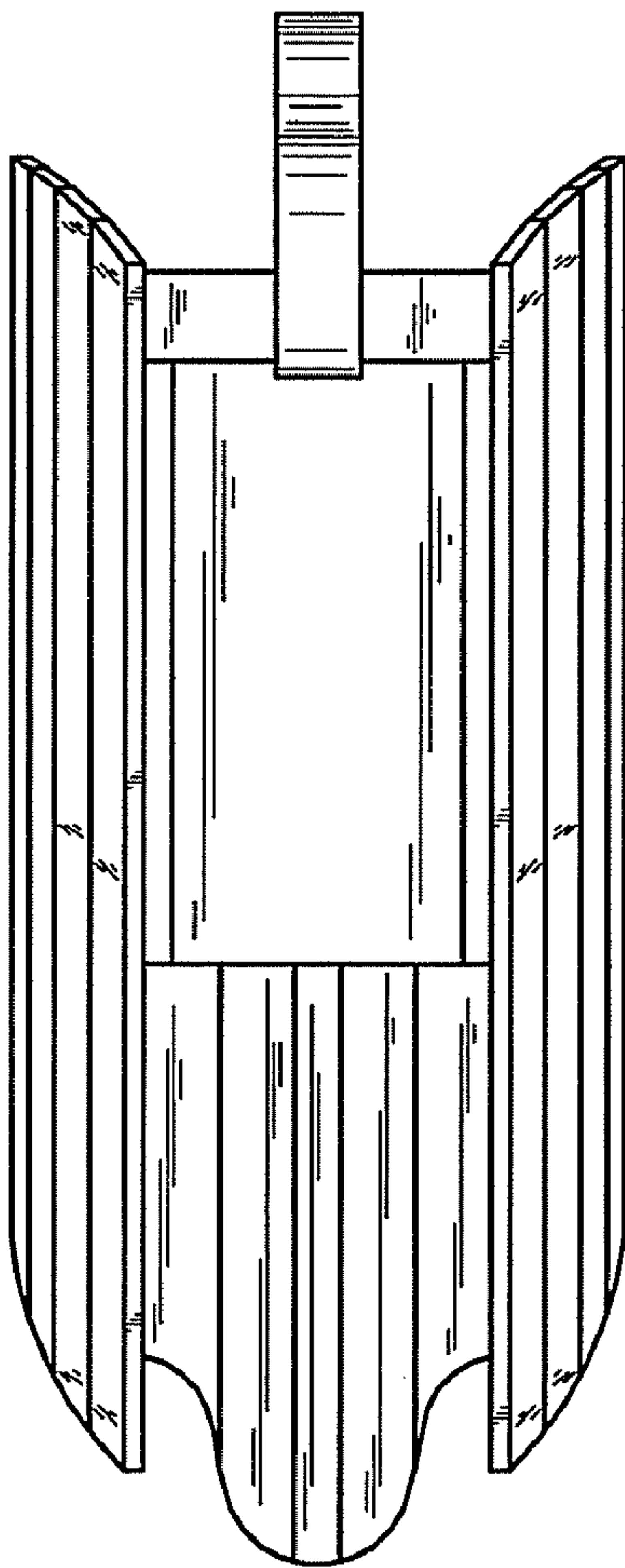


FIG. 6

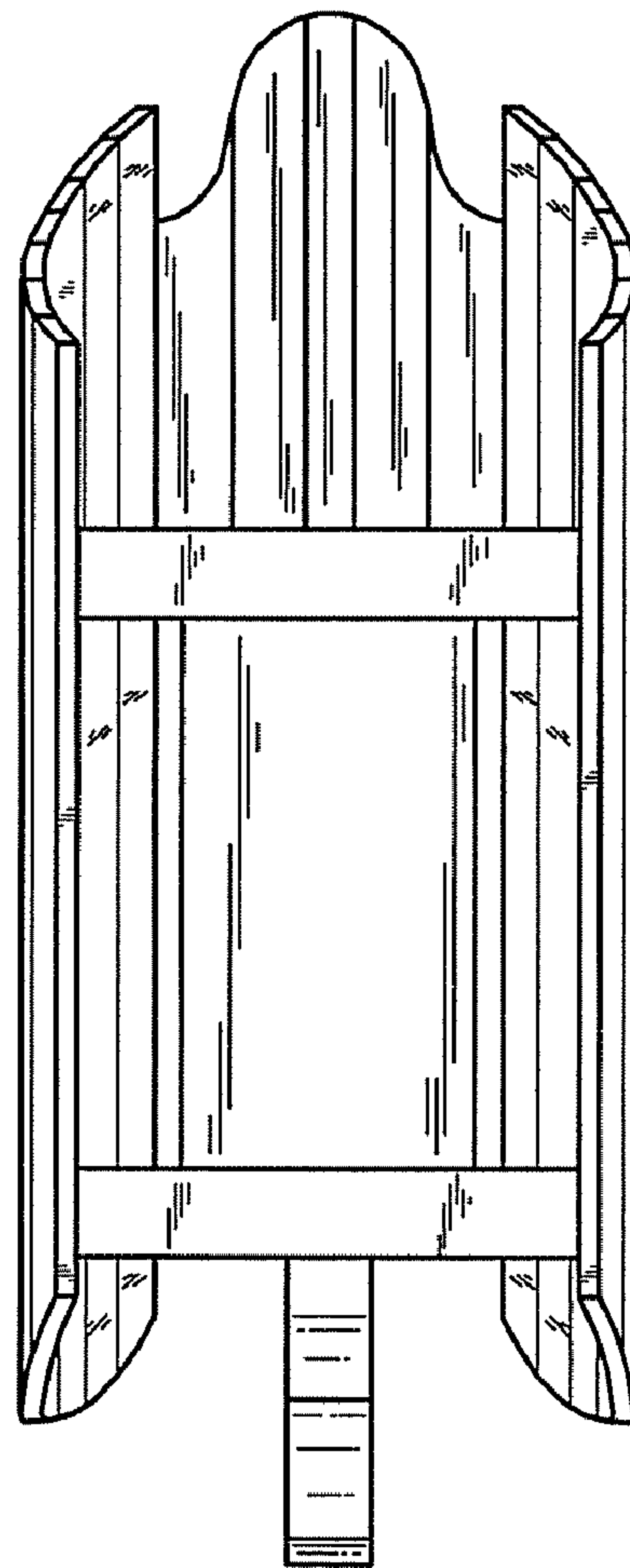


FIG. 7