



US00D578023S

(12) **United States Design Patent**  
**Rochat**

(10) **Patent No.:** **US D578,023 S**  
(45) **Date of Patent:** **\*\* Oct. 7, 2008**

(54) **COMBINED WATCH AND WATCHBAND**

(75) Inventor: **Sabine Rochat**, Versoix (CH)

(73) Assignee: **Richemont International, SA**,  
Villars-Sur-Glane (CH)

(\*\*) Term: **14 Years**

(21) Appl. No.: **29/305,498**

(22) Filed: **Mar. 21, 2008**

(30) **Foreign Application Priority Data**

Sep. 26, 2007 (WO) ..... DM/069 372

(51) **LOC (8) Cl.** ..... **10-02**

(52) **U.S. Cl.** ..... **D10/32**

(58) **Field of Classification Search** ..... D10/30-39;  
368/276, 281, 282, 285, 294, 295, 308; D11/3,  
D11/12; 63/3, 4

See application file for complete search history.

(56) **References Cited**

**U.S. PATENT DOCUMENTS**

2,205,407	A *	6/1940	Hoffer	.....	368/288
2,361,563	A *	10/1944	Pellaton	.....	368/80
2,385,234	A *	9/1945	Schmitz	.....	368/288
D186,180	S *	9/1959	Diamond	.....	D10/39
5,467,325	A *	11/1995	Juillerat	.....	368/276
D365,526	S *	12/1995	Gardner	.....	D10/39
D438,472	S *	3/2001	Fichter	.....	D10/39
D473,474	S *	4/2003	Wunderman	.....	D10/32
D479,137	S *	9/2003	Kauffmann	.....	D10/39
D493,729	S *	8/2004	Monachon	.....	D10/32
6,776,519	B2 *	8/2004	Eleuterio et al.	.....	368/295
D507,974	S *	8/2005	Strasser	.....	D10/30

D508,416	S *	8/2005	Tang	.....	D10/30
D509,446	S *	9/2005	Wunderman	.....	D10/32
D525,537	S *	7/2006	Monachon	.....	D10/32
D526,218	S *	8/2006	Krieger	.....	D10/39
D538,182	S *	3/2007	Lalo	.....	D10/32
D539,175	S *	3/2007	Bolt et al.	.....	D10/39
D545,910	S *	7/2007	Peraldi	.....	D10/32
D551,095	S *	9/2007	Monachon	.....	D10/32
D554,003	S *	10/2007	Journe	.....	D10/31
D565,428	S *	4/2008	Wunderman	.....	D10/32

**OTHER PUBLICATIONS**

Ebel Catalogue, the "Beluga" Watch, pp. 74-80, published Mar. 2007  
(website://www.ebel.com/site/default.asp.).

\* cited by examiner

*Primary Examiner*—Lucy Lieberman

(74) *Attorney, Agent, or Firm*—Kalow & Springut, LLP

(57) **CLAIM**

The ornamental design for a watch and watchband, as shown and described.

**DESCRIPTION**

FIG. 1 is a first perspective view of the watch and watchband.

FIG. 2 is a top view of the watch and watchband.

FIG. 3 is a bottom view of the watch and watchband.

FIG. 4 is a front view of the watch and watchband.

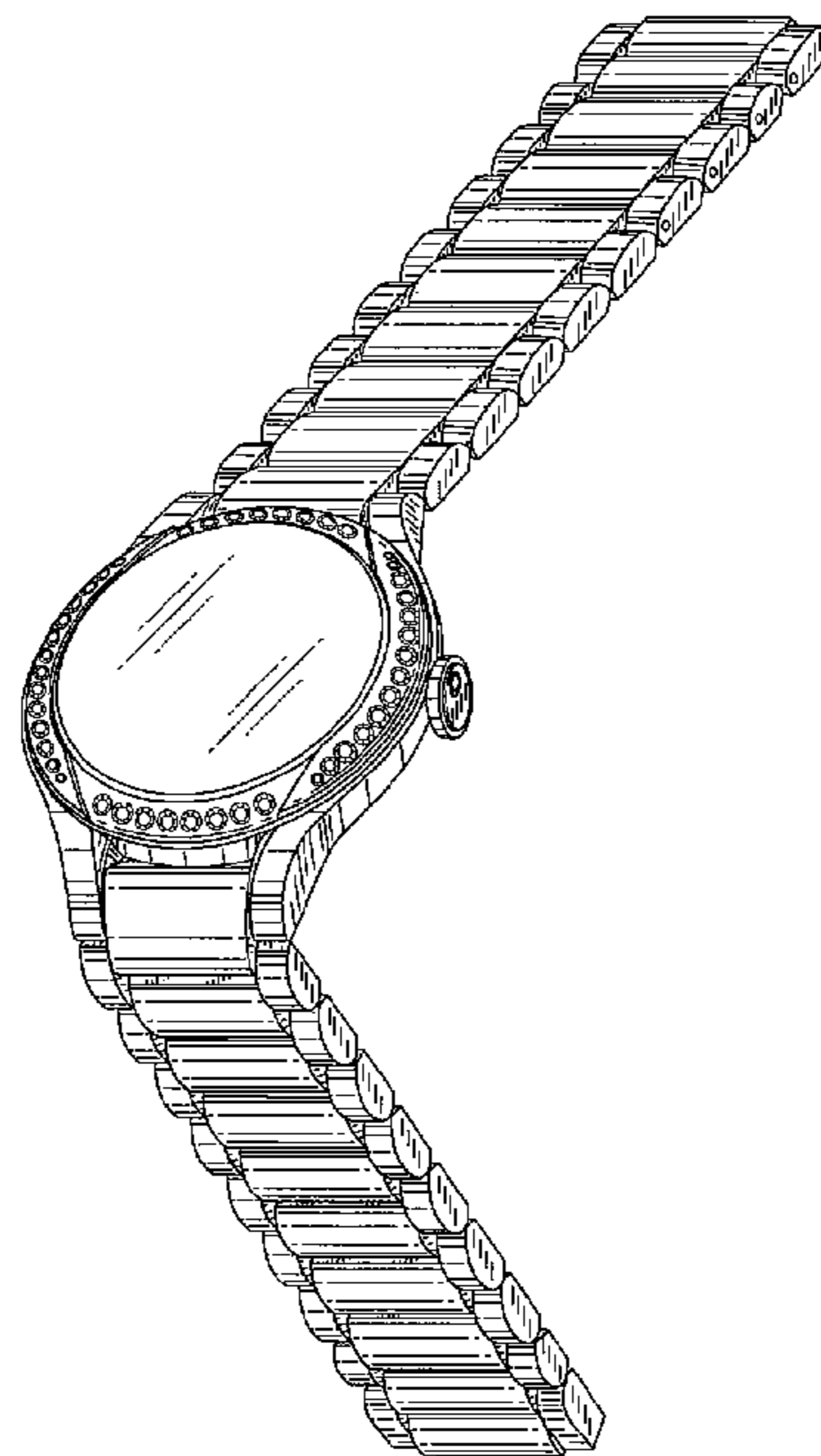
FIG. 5 is a back view of the watch and watchband.

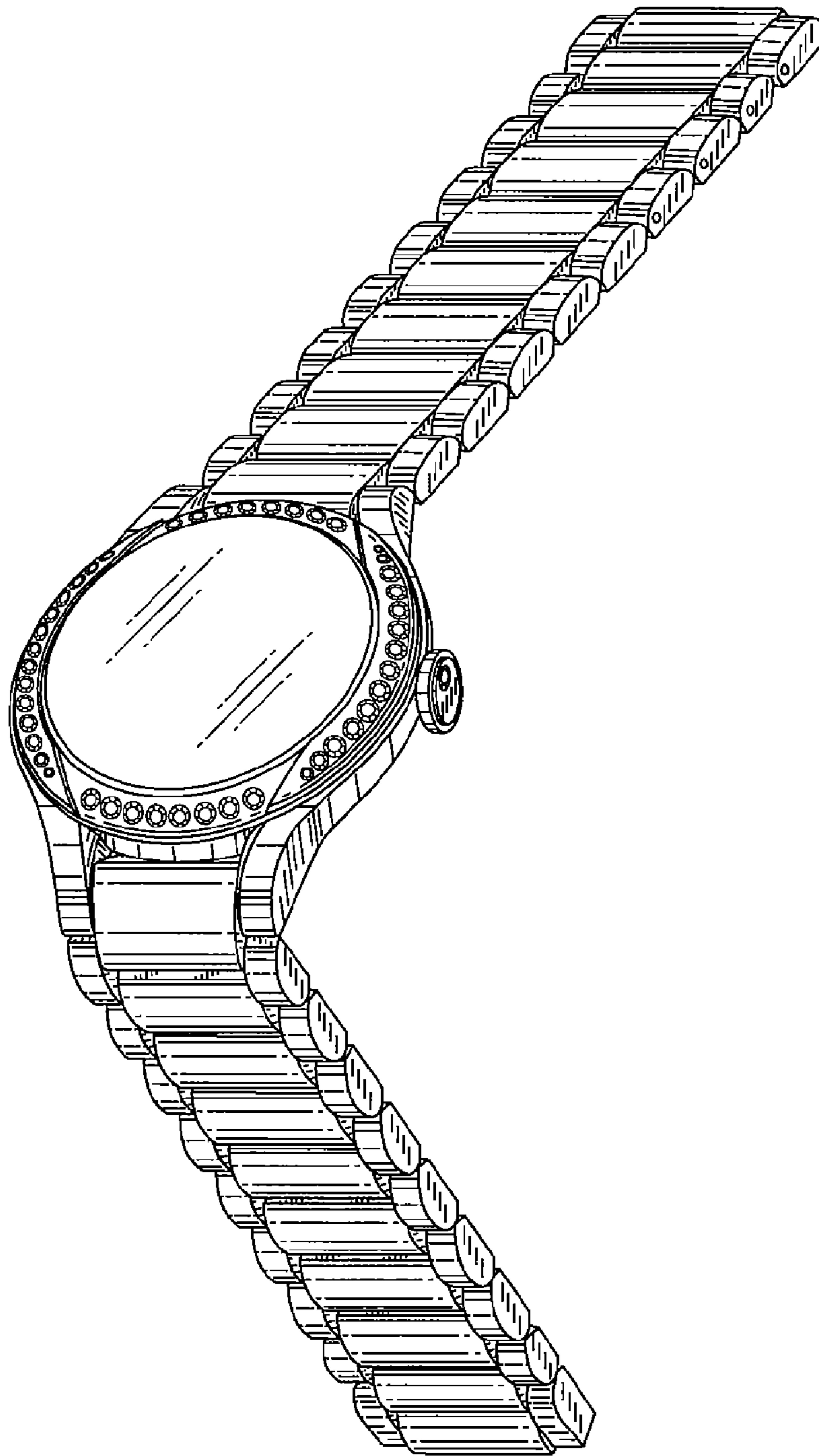
FIG. 6 is a right side view of the watch and watchband.

FIG. 7 is a left side view of the watch and watchband; and,

FIG. 8 is a second perspective view shown with the watchband in an alternate position.

**1 Claim, 5 Drawing Sheets**





**FIG. 1**

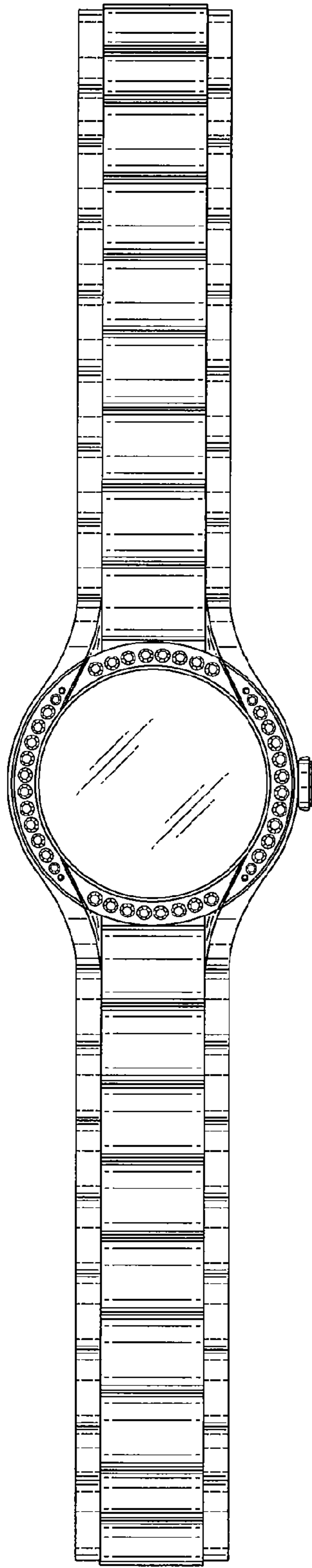


FIG. 2

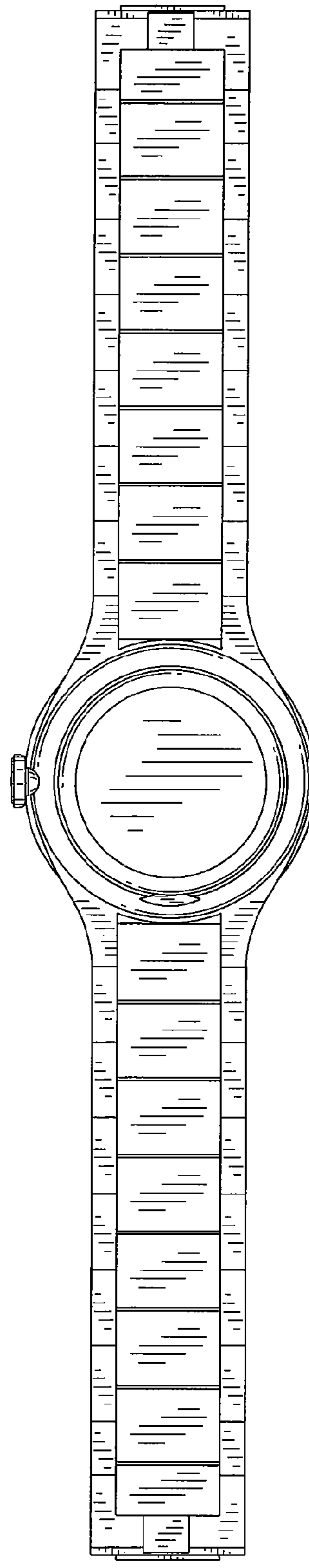
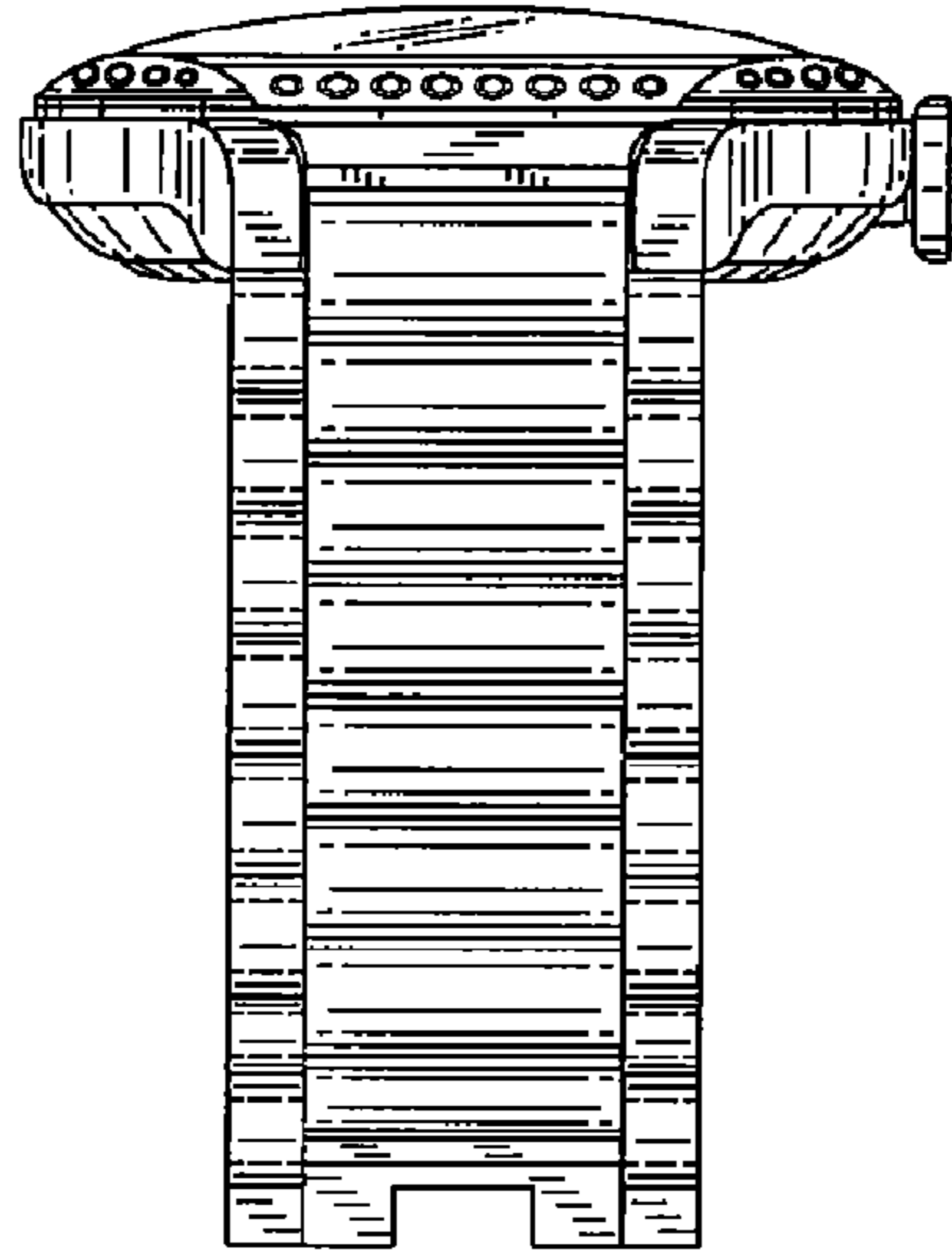
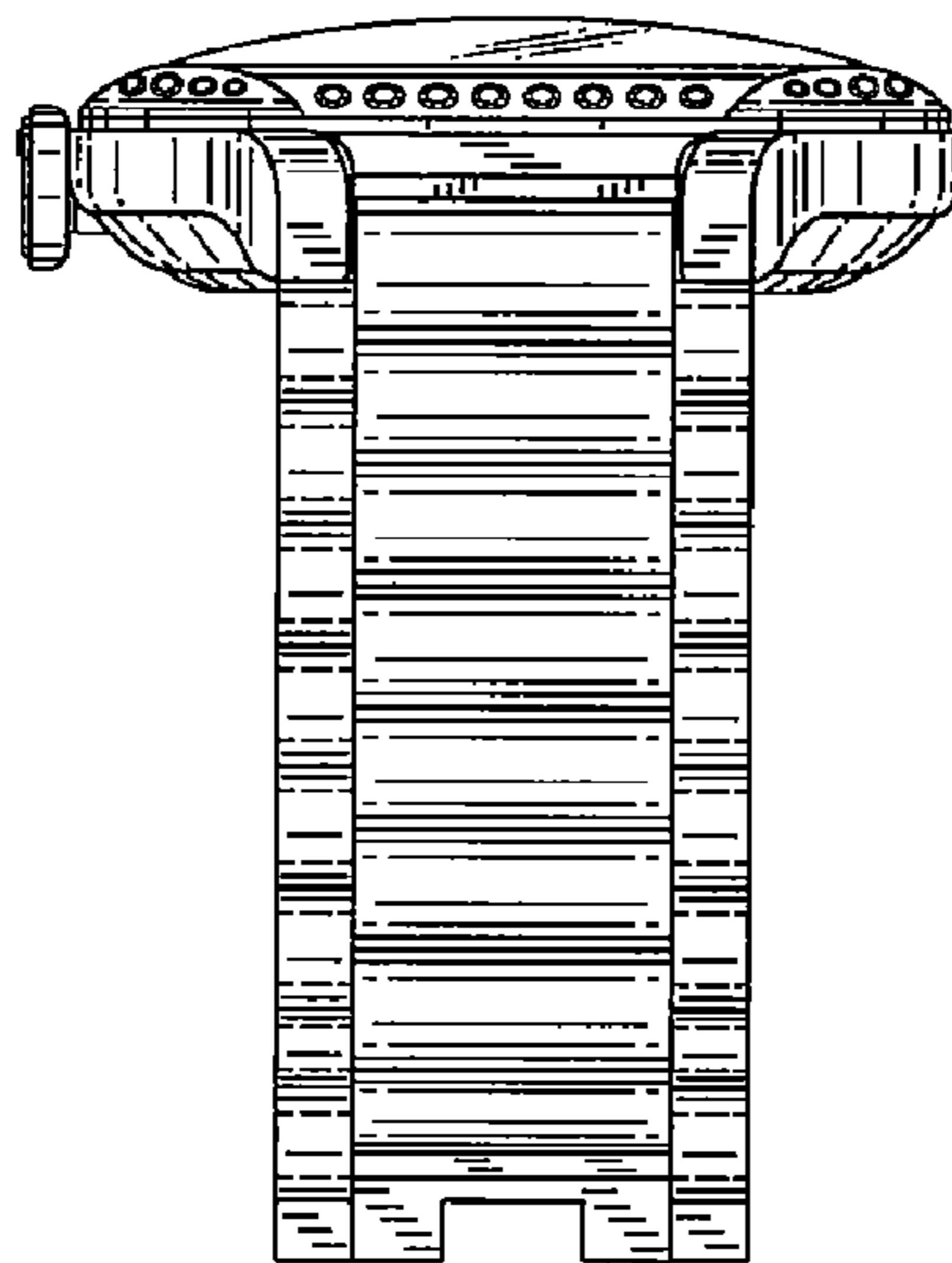


FIG. 3



*FIG. 4*



*FIG. 5*

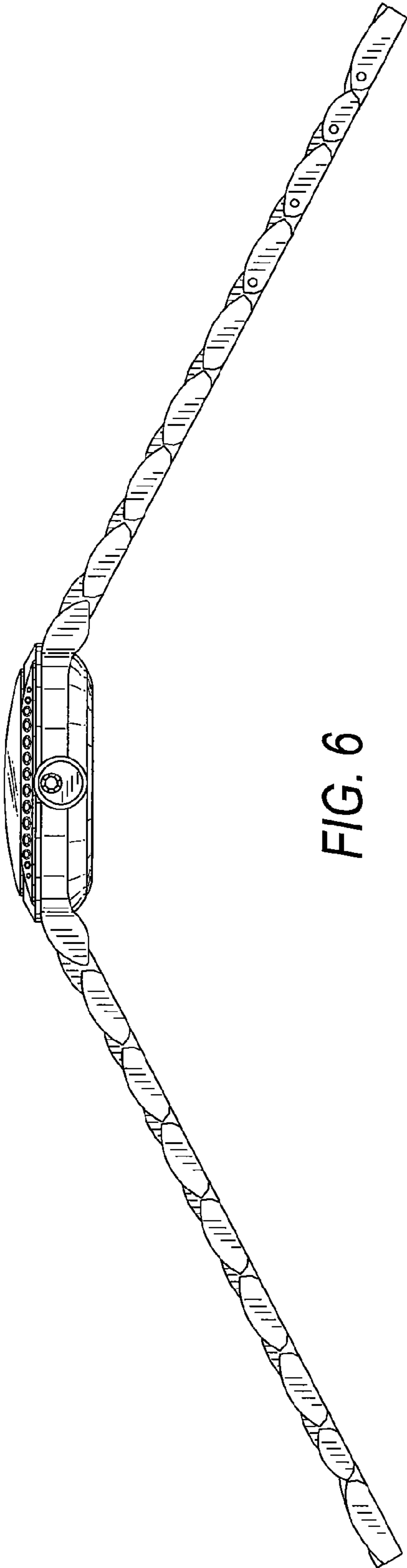


FIG. 6

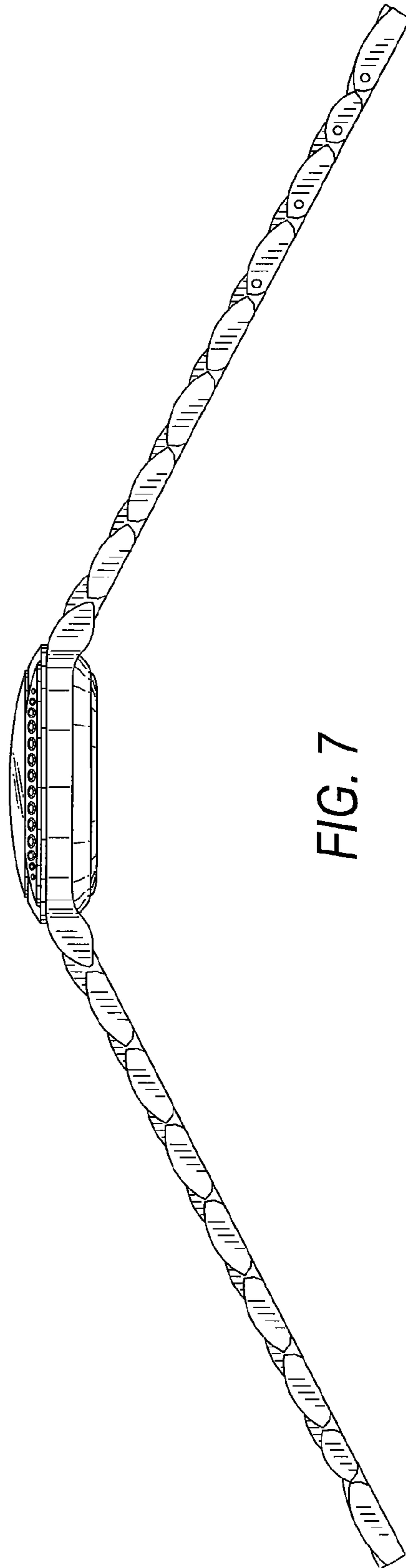


FIG. 7



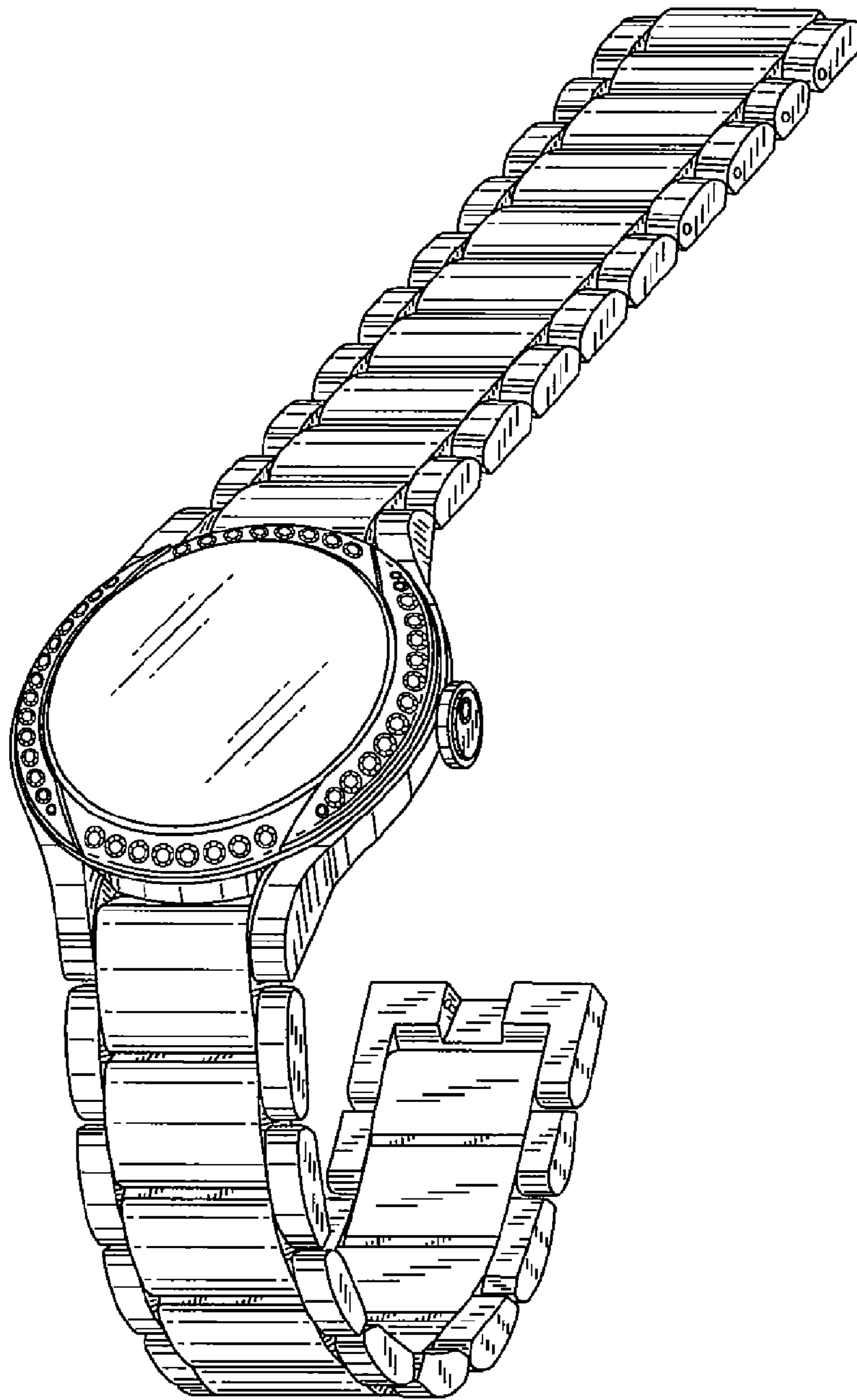


FIG. 8