



US00D578022S

(12) **United States Design Patent**
Salemi

(10) **Patent No.:** **US D578,022 S**
(45) **Date of Patent:** **** Oct. 7, 2008**

(54) **WRISTWATCH**

(75) Inventor: **Jean-Marc Salemi, Meyrin (CH)**

(73) Assignee: **Daniel Roth et Gerald Haute Horlogerie SA, Meyrin (CH)**

(**) Term: **14 Years**

(21) Appl. No.: **29/266,322**

(22) Filed: **Sep. 19, 2006**

(30) **Foreign Application Priority Data**

Mar. 29, 2006 (CH) 132662

(51) **LOC (8) Cl.** **10-02**

(52) **U.S. Cl.** **D10/32**

(58) **Field of Classification Search** D10/30-39,
D10/122-132; 368/276, 281, 282, 285, 28,
368/80, 223, 228, 232; D11/3

See application file for complete search history.

(56) **References Cited**

U.S. PATENT DOCUMENTS

258,801	A *	5/1882	Payson	368/226
290,791	A *	12/1883	Newby	368/232
D40,127	S *	7/1909	Starkey	D10/126
D79,292	S *	8/1929	GJruen	D10/125
1,796,360	A *	3/1931	Conant	368/281
D297,125	S *	8/1988	Grinberg	D10/39
D361,281	S *	8/1995	Roth	D10/32
D362,633	S *	9/1995	Bertolucci	D10/32
D392,902	S *	3/1998	Mouawad	D10/30
5,943,299	A *	8/1999	Genta	368/28
D437,791	S *	2/2001	Roden	D10/32
D440,514	S *	4/2001	Gruosi	D10/125
D456,726	S *	5/2002	Finazzi	D10/39

D458,853	S *	6/2002	Finazzi	D10/39
D470,422	S *	2/2003	Grotell	D10/30
6,619,835	B2 *	9/2003	Kita	368/281
6,826,122	B2 *	11/2004	Zaugg	368/28
D508,653	S *	8/2005	Roden	D10/32
D518,387	S *	4/2006	Roden	D10/31
D519,852	S *	5/2006	Roden	D10/31
D529,824	S *	10/2006	Senggen et al.	D10/32
D530,227	S *	10/2006	Senggen et al.	D10/32
D530,228	S *	10/2006	Senggen et al.	D10/32
D530,627	S *	10/2006	Senggen et al.	D10/32
D531,064	S *	10/2006	Senggen et al.	D10/32
D546,208	S *	7/2007	Sirmakes	D10/39
D547,211	S *	7/2007	Dias	D10/39
D547,212	S *	7/2007	Dias	D10/39
D548,623	S *	8/2007	Salemi	D10/32
D564,929	S *	3/2008	Rabassa	D10/126

* cited by examiner

Primary Examiner—Lucy Lieberman

(74) *Attorney, Agent, or Firm*—Sughrue Mion, PLLC

(57) **CLAIM**

The ornamental design for a wristwatch, as shown.

DESCRIPTION

FIG. 1 is a front elevational view of a wristwatch showing my new design;

FIG. 2 is a perspective view of the top, front and right side thereof;

FIG. 3 is a rear elevational view thereof;

FIG. 4 is a right side elevational view thereof;

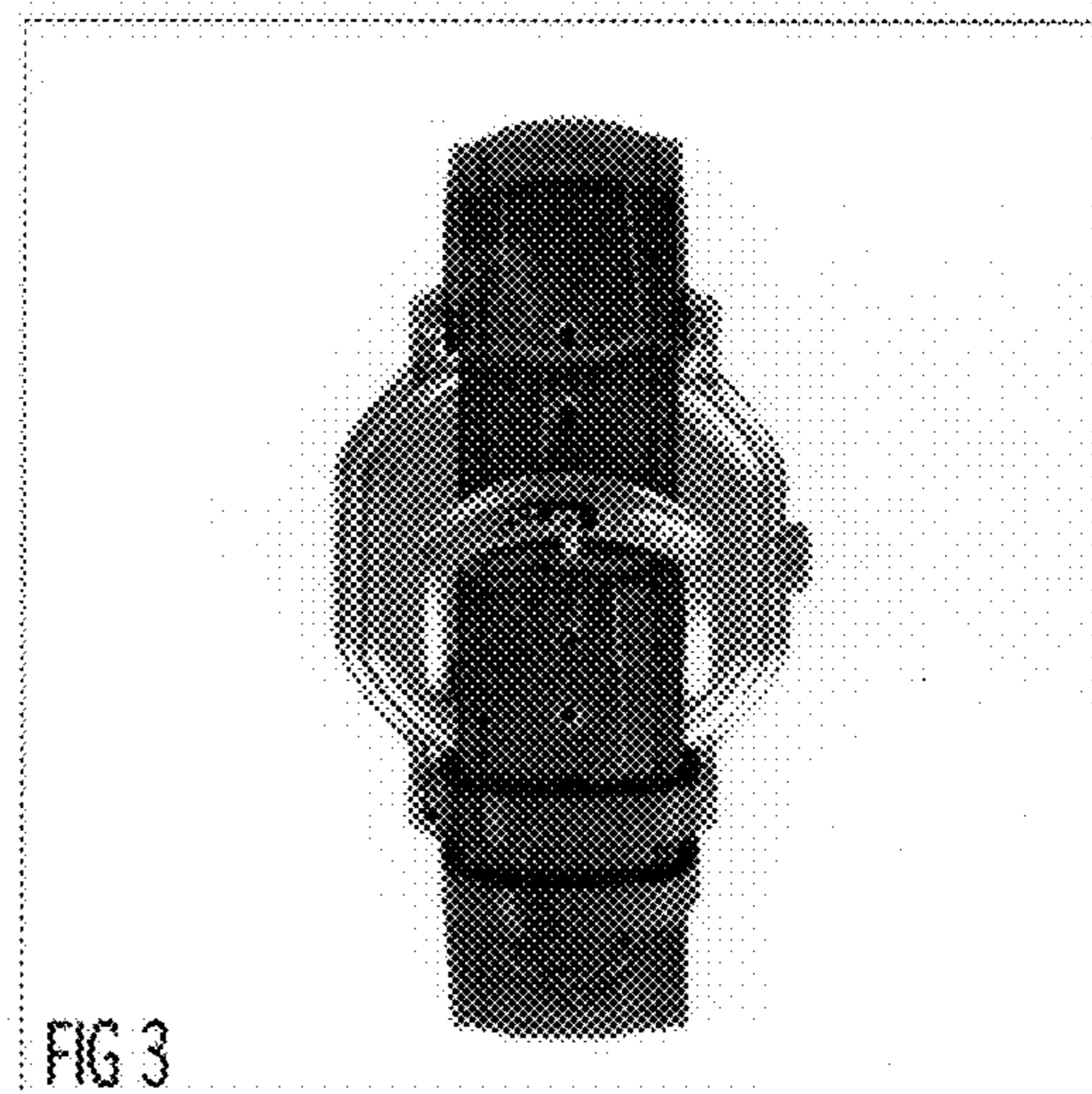
FIG. 5 is a left side elevational view thereof;

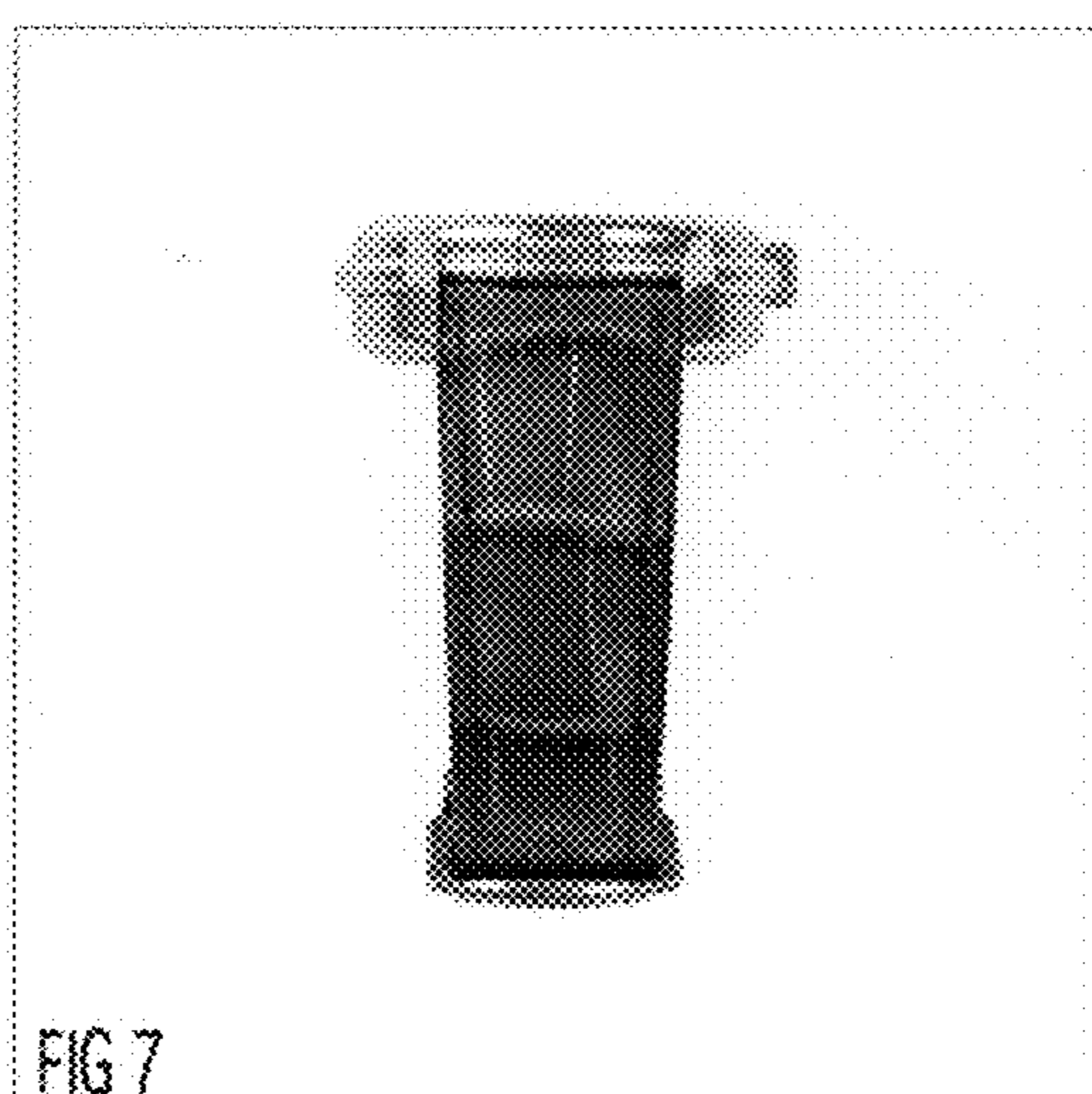
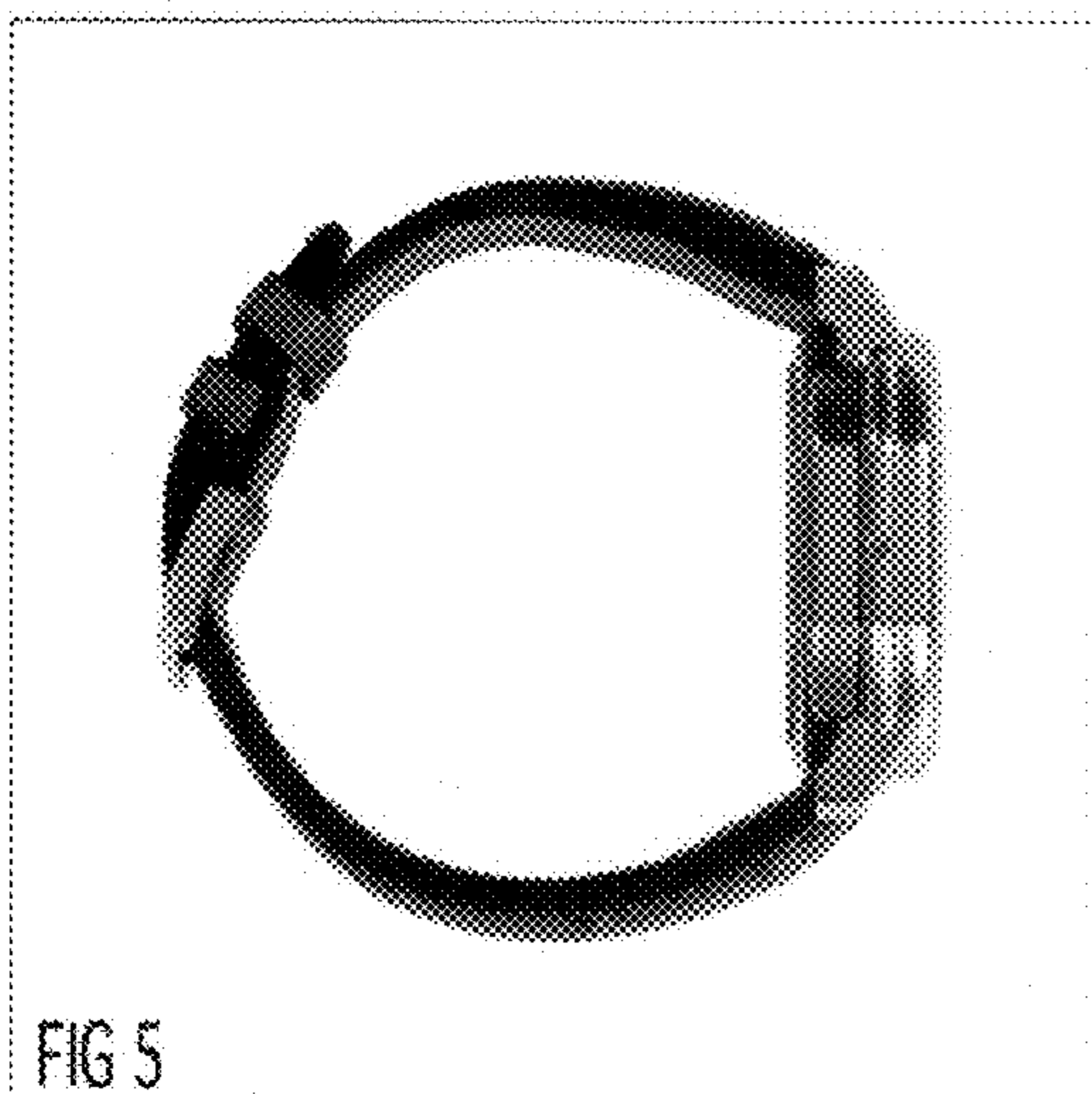
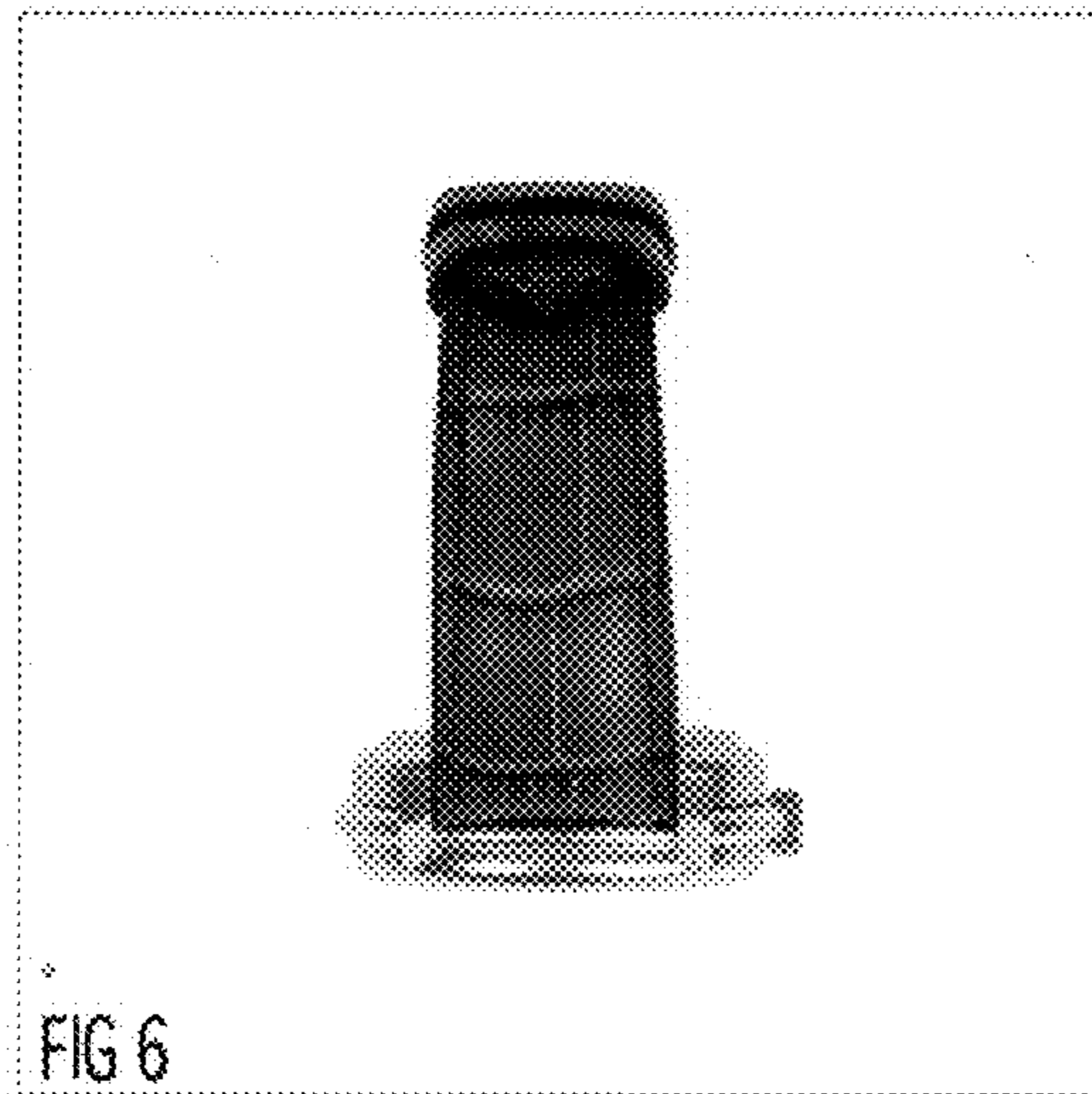
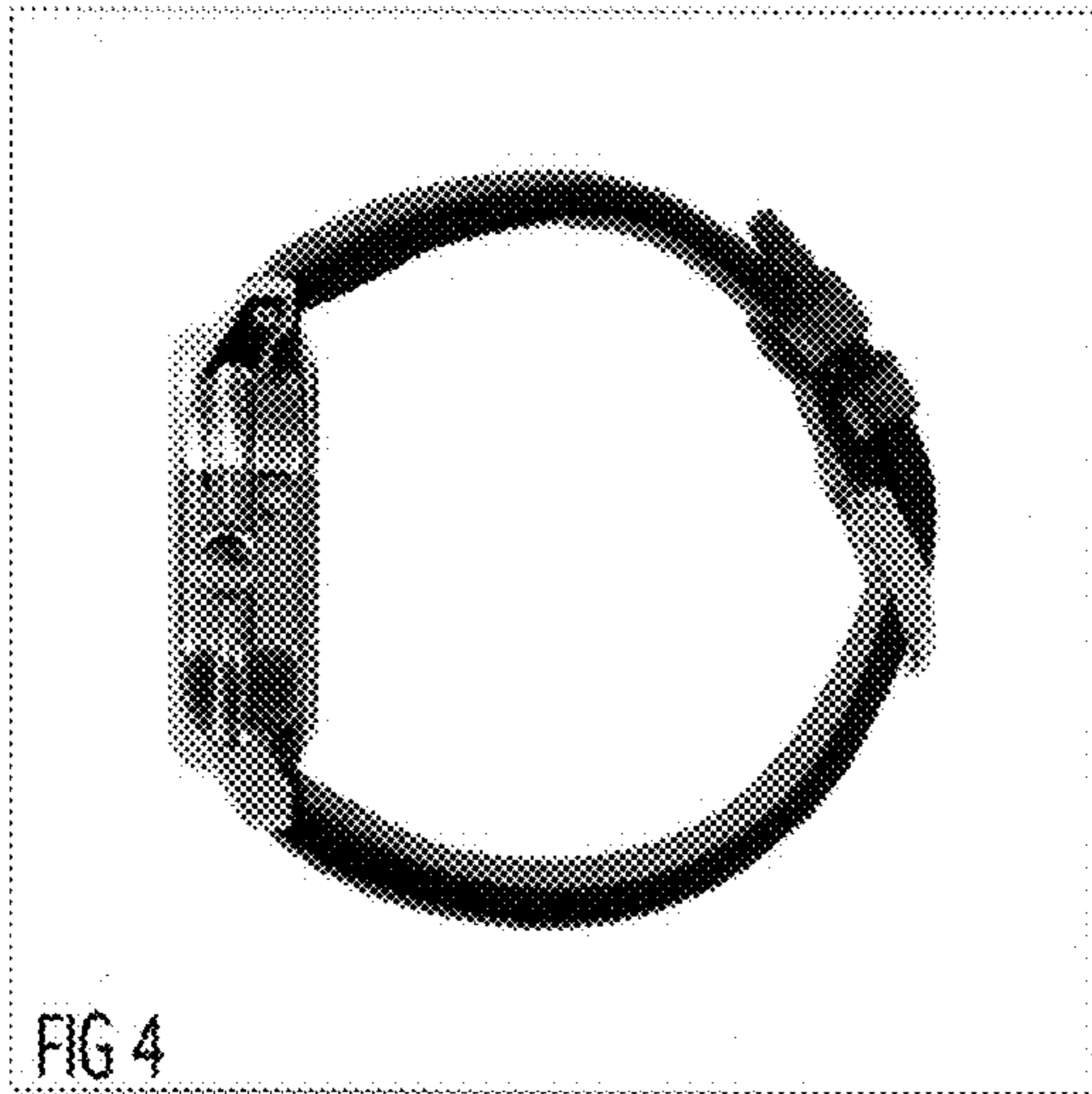
FIG. 6 is a top plan view thereof; and,

FIG. 7 is a bottom plan view thereof.

1 Claim, 2 Drawing Sheets







UNITED STATES PATENT AND TRADEMARK OFFICE
CERTIFICATE OF CORRECTION

PATENT NO. : Des. 578,022 S
APPLICATION NO. : 29/266322
DATED : October 7, 2008
INVENTOR(S) : Jean-Marc Salemi

Page 1 of 1

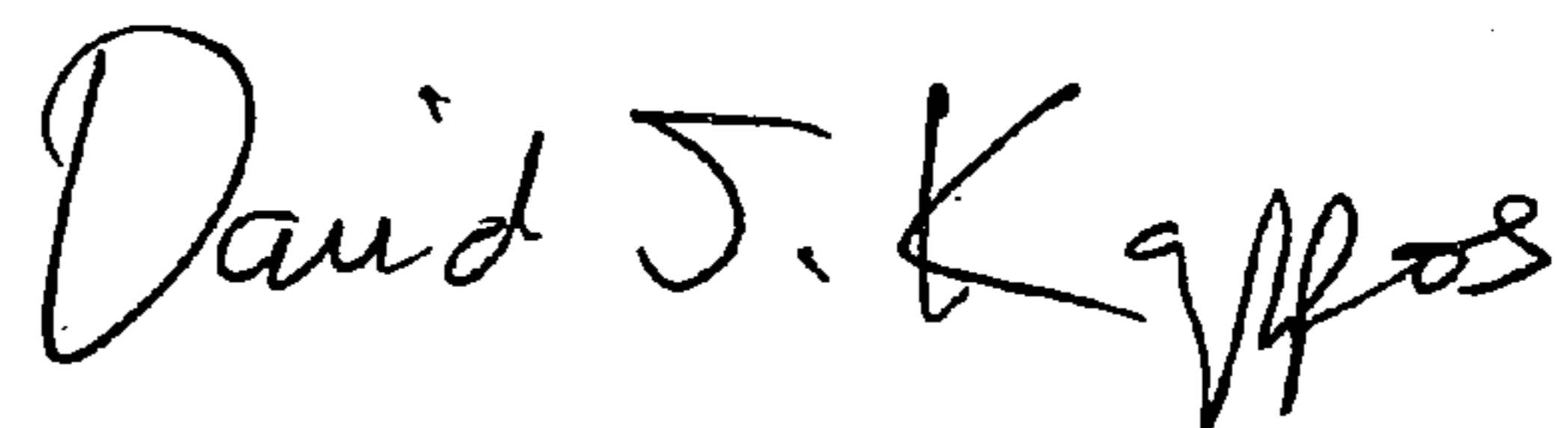
It is certified that error appears in the above-identified patent and that said Letters Patent is hereby corrected as shown below:

Title page item **(73) Assignees:** should read as follows:

Daniel Roth et Gérald Genta Haute Horlogerie S.A.

Signed and Sealed this

Tenth Day of November, 2009

A handwritten signature in black ink that reads "David J. Kappos". The signature is written in a cursive style with a large initial 'D' and 'K'.

David J. Kappos
Director of the United States Patent and Trademark Office