



US00D578021S

(12) **United States Design Patent**
Reinsel et al.

(10) **Patent No.:** **US D578,021 S**

(45) **Date of Patent:** **** Oct. 7, 2008**

(54) **SHEET PRODUCT DISPENSER**

(75) Inventors: **Christopher M. Reinsel**, Neenah, WI (US); **Michael R. Kilgore**, Little Suamico, WI (US); **Rachel DeSmidt**, Madison, WI (US); **Frances Alexay**, Atlanta, GA (US)

(73) Assignee: **Georgia-Pacific Consumer Products LP**, Atlanta, GA (US)

(**) Term: **14 Years**

(21) Appl. No.: **29/279,348**

(22) Filed: **Apr. 27, 2007**

(51) **LOC (8) Cl.** **09-01**

(52) **U.S. Cl.** **D9/734**

(58) **Field of Classification Search** D9/730, D9/734, 737, 414, 417, 418, 420, 430, 431, D9/432; D7/631; D21/818; D24/190-192; D25/112, 113; 5/630; 52/309.1, 561; 206/205, 206/209, 210, 213.1, 216, 233, 349; 221/1, 221/2, 35, 37, 38, 44, 46, 47, 52, 57, 199, 221/259, 305, 309

See application file for complete search history.

(56) **References Cited**

U.S. PATENT DOCUMENTS

2,426,136	A	8/1947	Agamaite, Jr.	
2,852,158	A	9/1958	Jones et al.	
D285,173	S *	8/1986	Davis	D9/734
4,679,703	A	7/1987	De Luca	
4,838,454	A	6/1989	Salzmann et al.	
5,076,466	A	12/1991	Petterson et al.	
D334,690	S	4/1993	Chudek et al.	
D337,270	S *	7/1993	Brockman	D9/430
D348,393	S *	7/1994	Neitzke et al.	D9/418
5,564,240	A *	10/1996	Dean, Jr.	52/309.1
D438,988	S *	3/2001	Dean, Jr.	D25/113

D454,015	S *	3/2002	Okin et al.	D9/734
6,457,605	B2	10/2002	Coleman	
6,585,129	B2	7/2003	Moody et al.	
2003/0019880	A1	1/2003	Timmers et al.	
2003/0062375	A1	4/2003	Christensen et al.	
2006/0086748	A1	4/2006	Burns et al.	
2007/0262086	A1	11/2007	Cook et al.	

* cited by examiner

Primary Examiner—Stella M. Reid

Assistant Examiner—Shanda C. Hill

(74) *Attorney, Agent, or Firm*—Joel T. Charlton

(57) **CLAIM**

The ornamental design for sheet product dispenser, as shown and described.

DESCRIPTION

FIG. 1 is front, top perspective view of a sheet product dispenser showing our new design;

FIG. 2 is a top view thereof;

FIG. 3 is a front view thereof;

FIG. 4 is a rear view thereof;

FIG. 5 is a right side view thereof, the left side view being a mirror image;

FIG. 6 is a rear, top perspective view thereof;

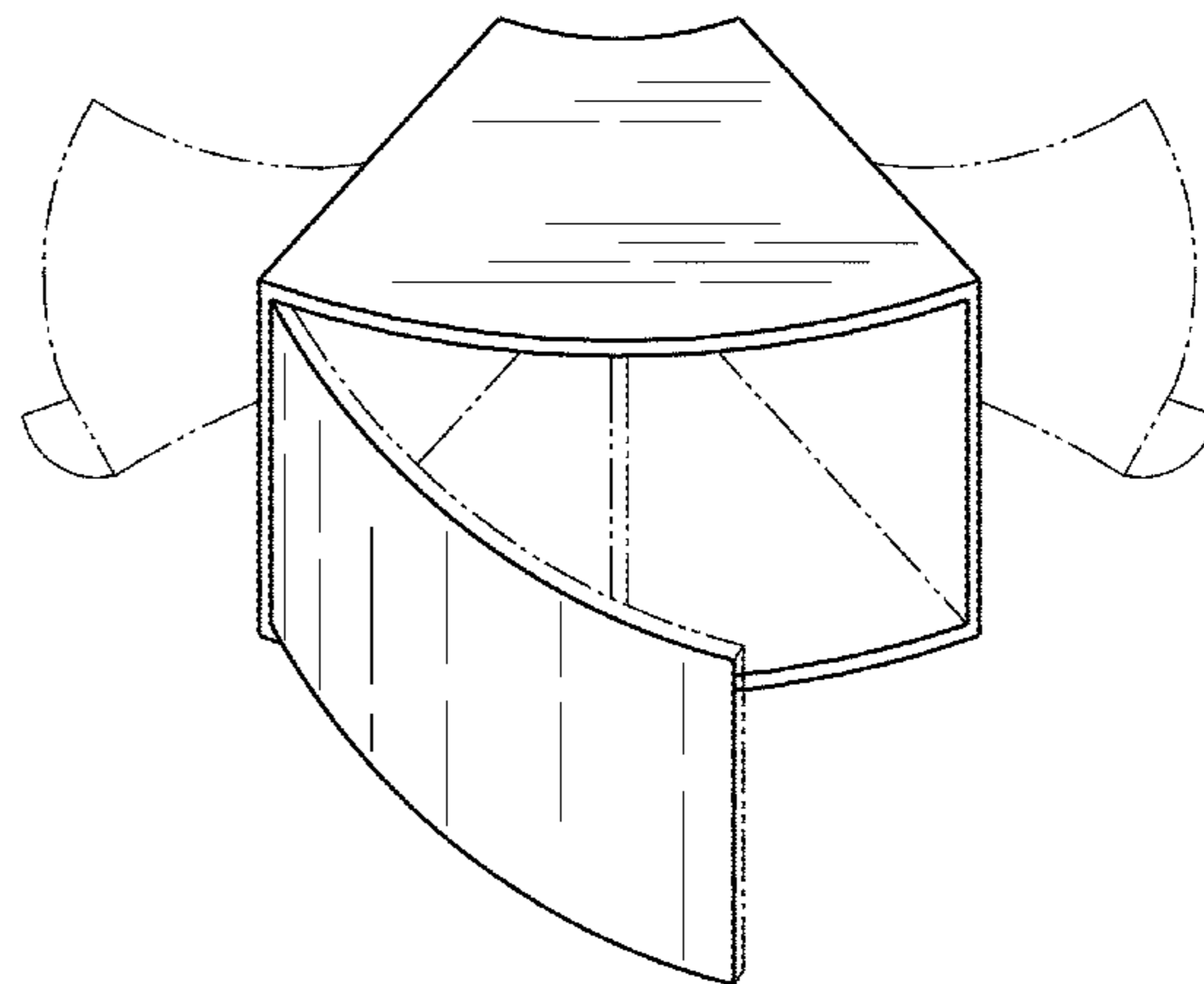
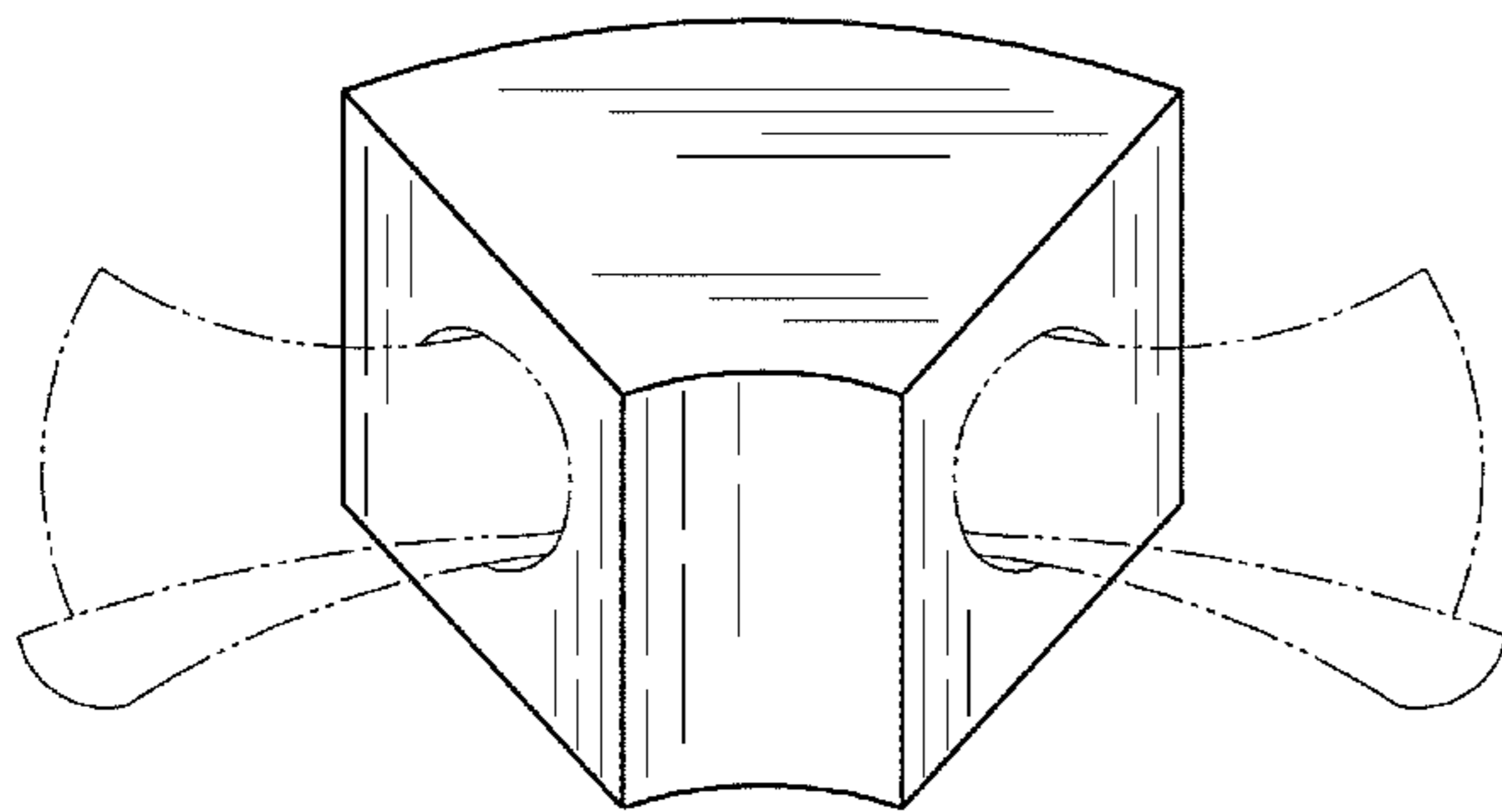
FIG. 7 is a rear, top perspective view of FIG. 6, shown in an open position;

FIG. 8 is a perspective view of FIG. 1 shown in an alternate position; and,

FIG. 9 is another perspective view of FIG. 1 shown in another alternate position.

The broken lines shown in the drawing disclosure are for illustrative purposes only and form no part of the claimed design.

1 Claim, 4 Drawing Sheets



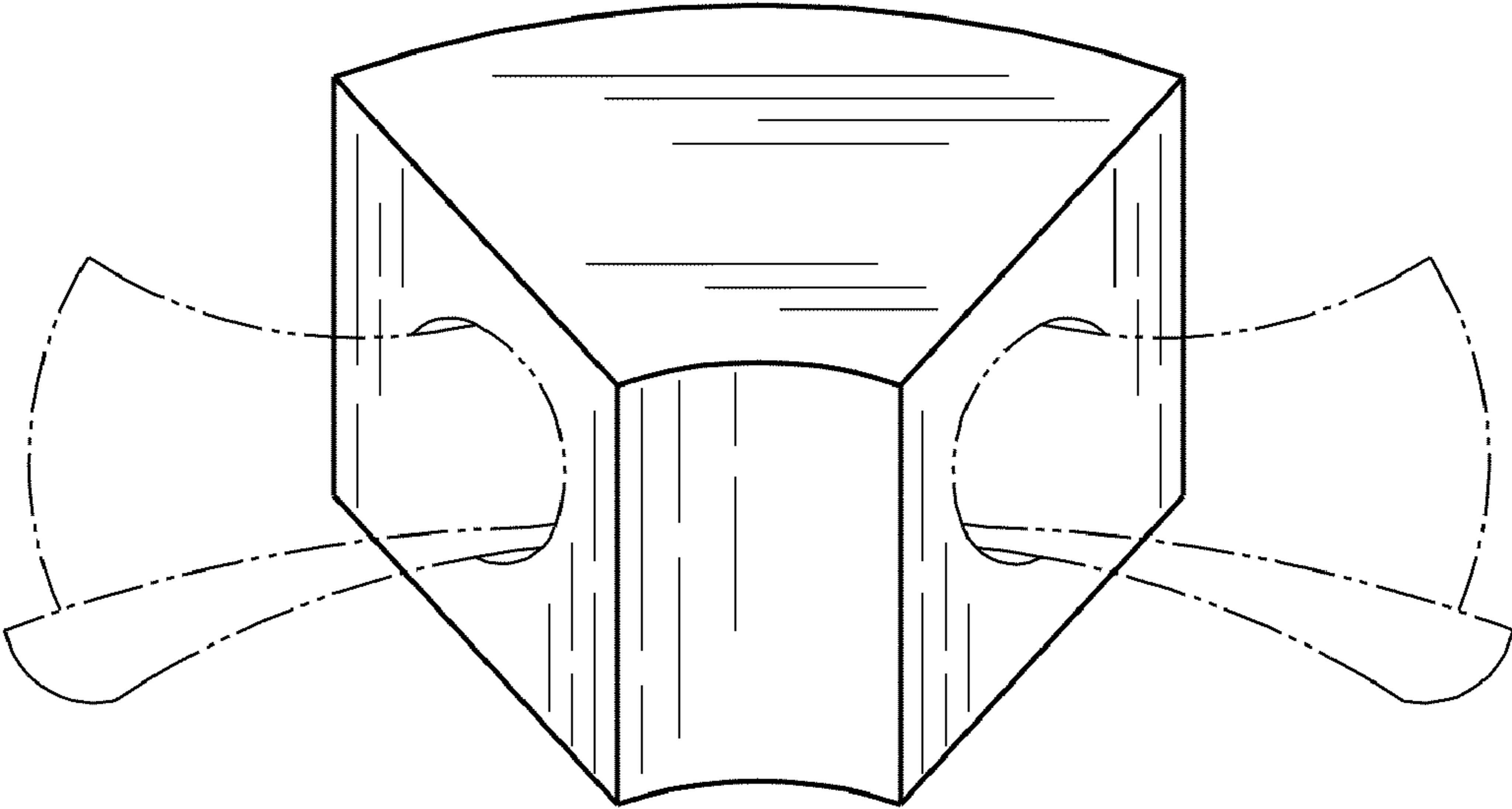


Fig. 1

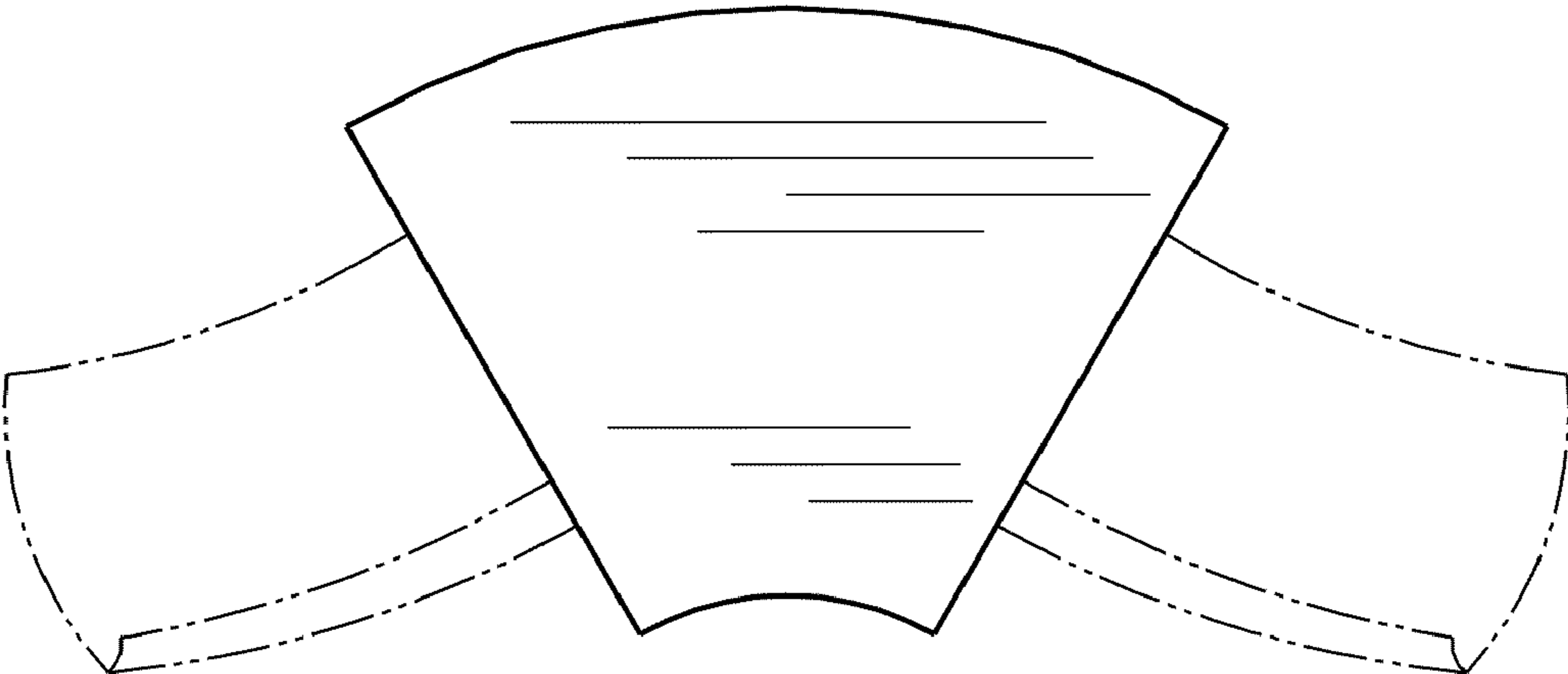


Fig. 2

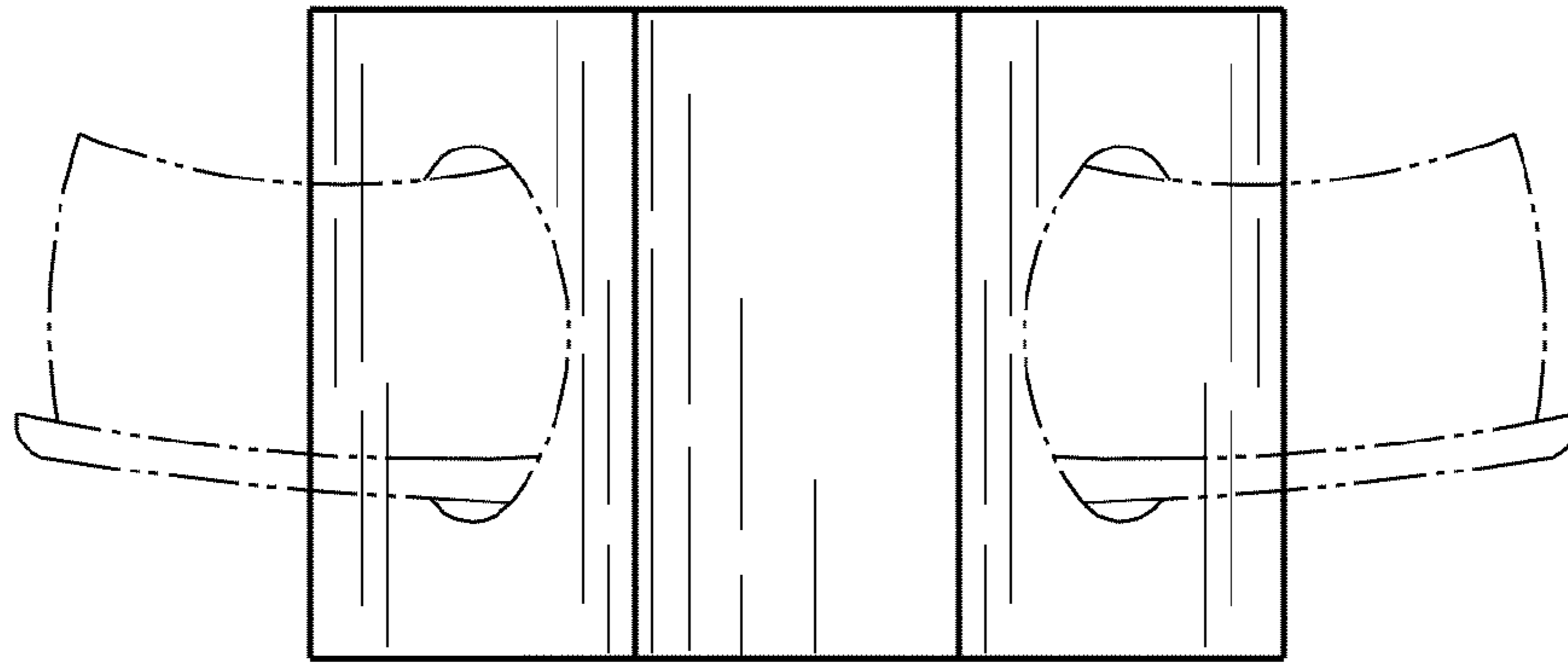


Fig. 3

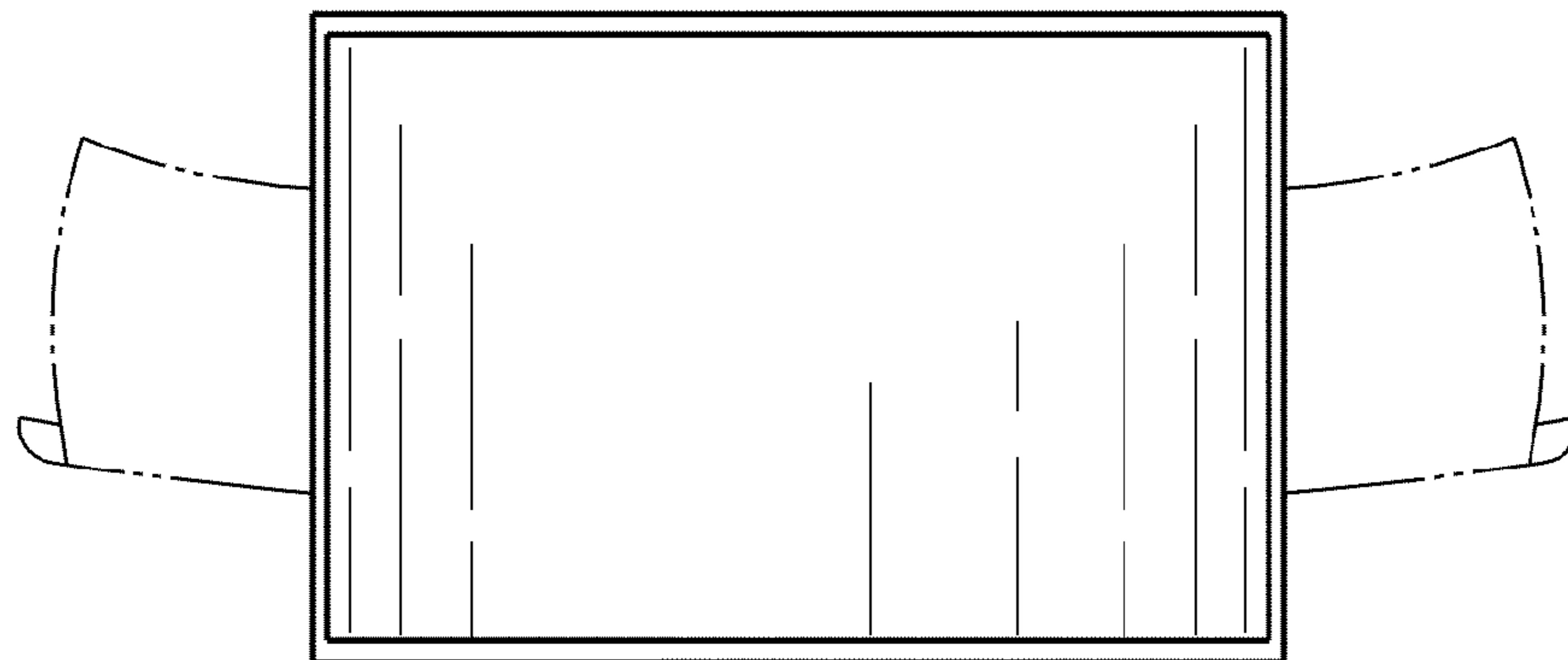


Fig. 4

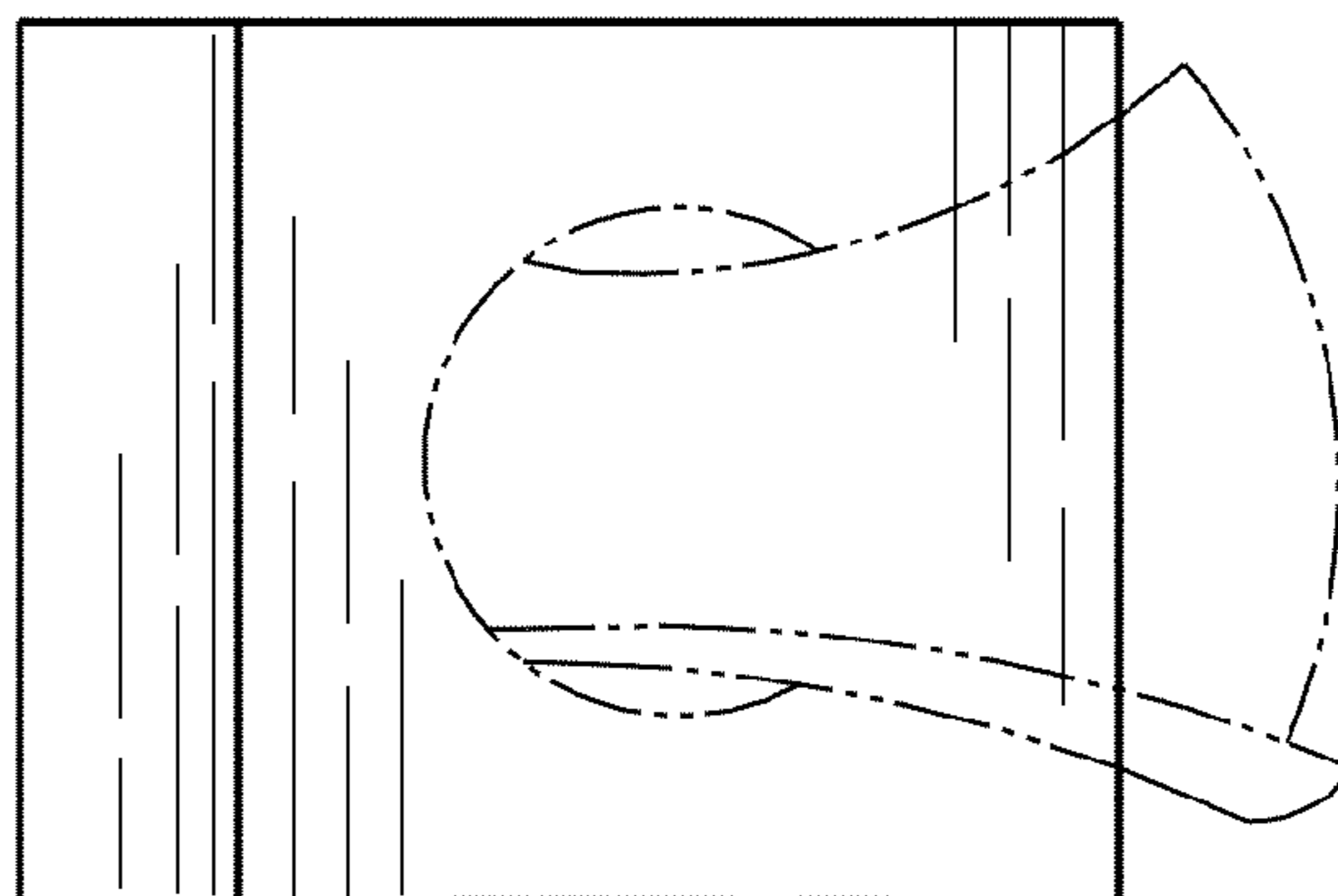


Fig. 5

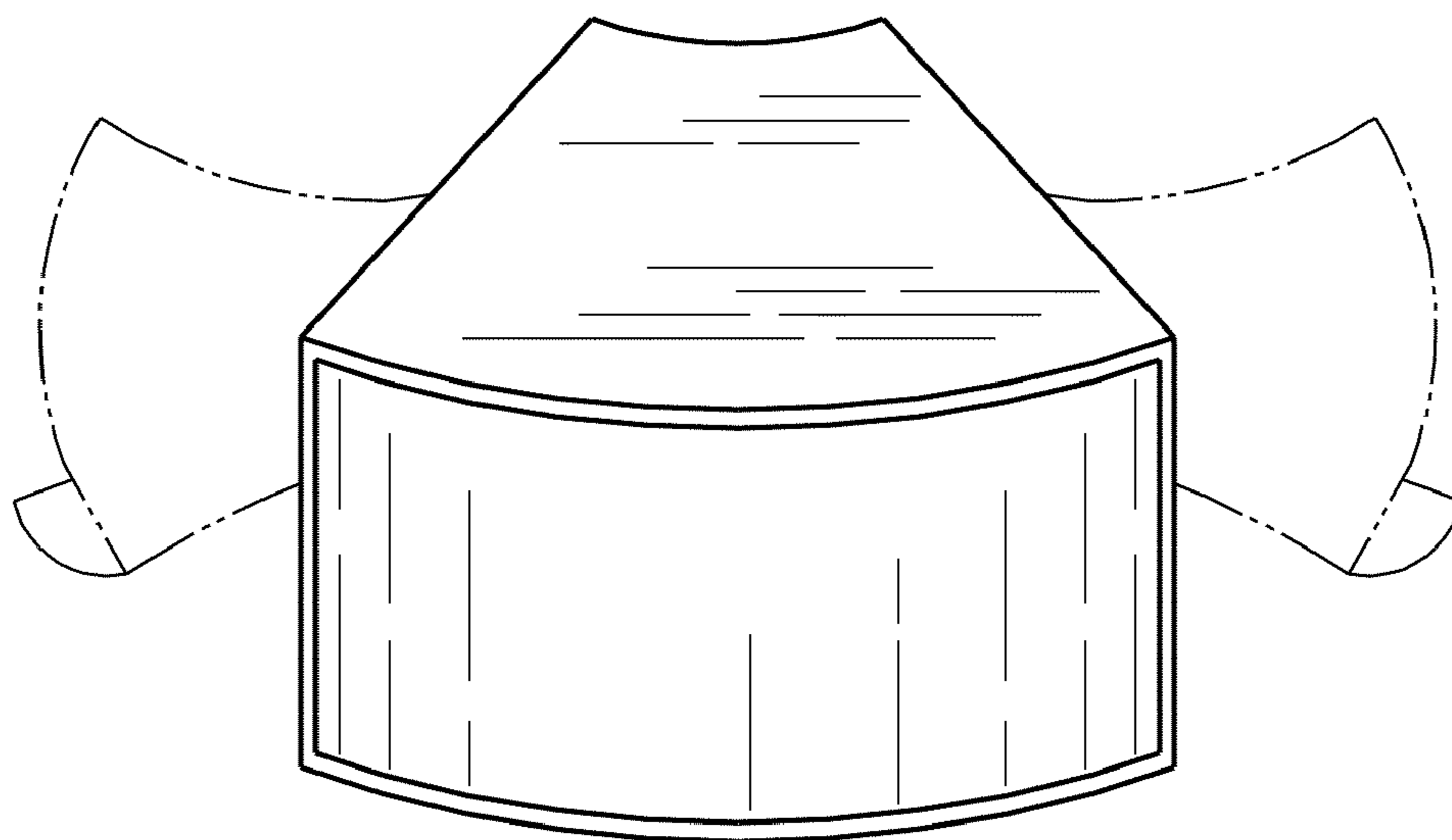


Fig. 6

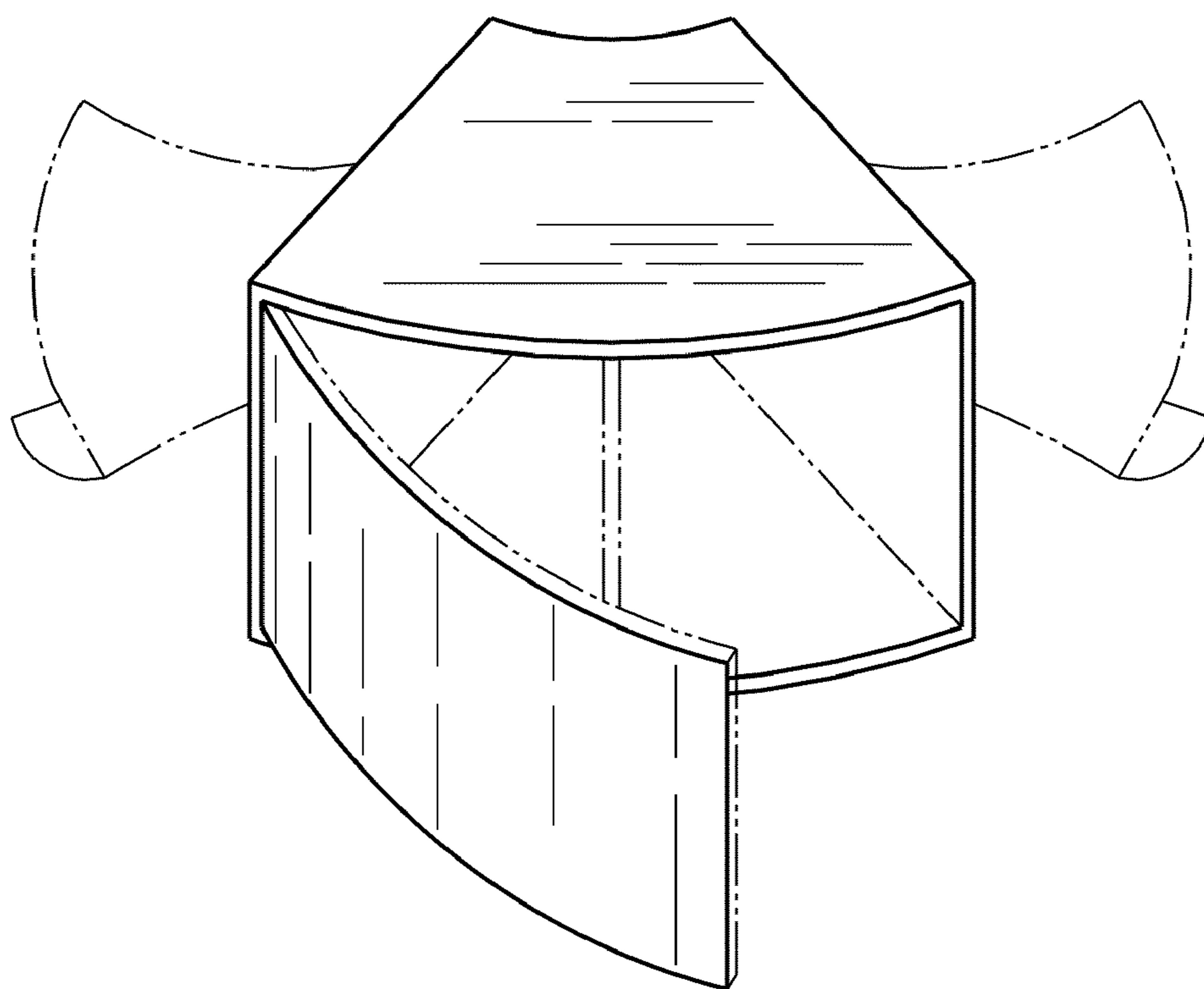


Fig. 7

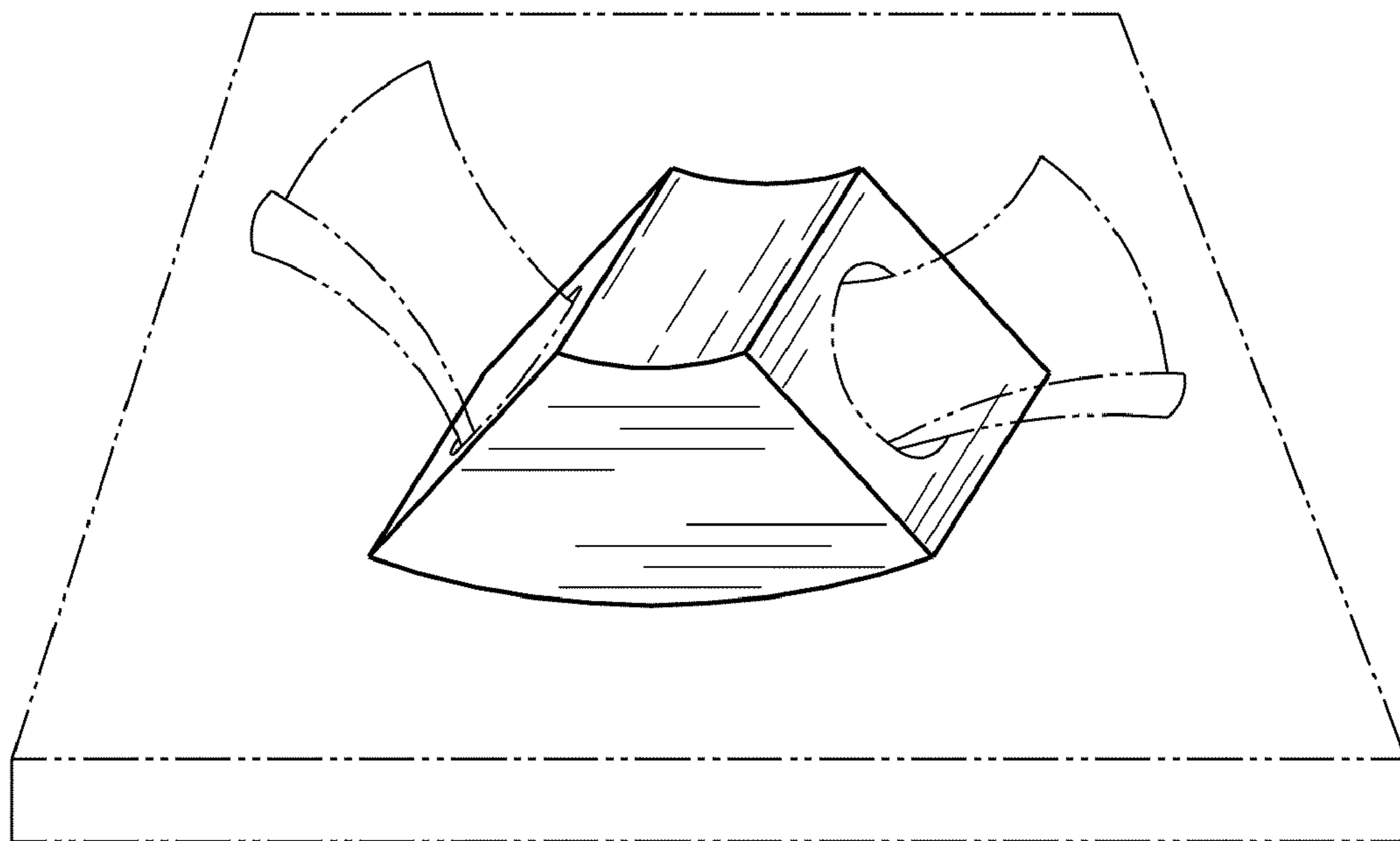


Fig. 8

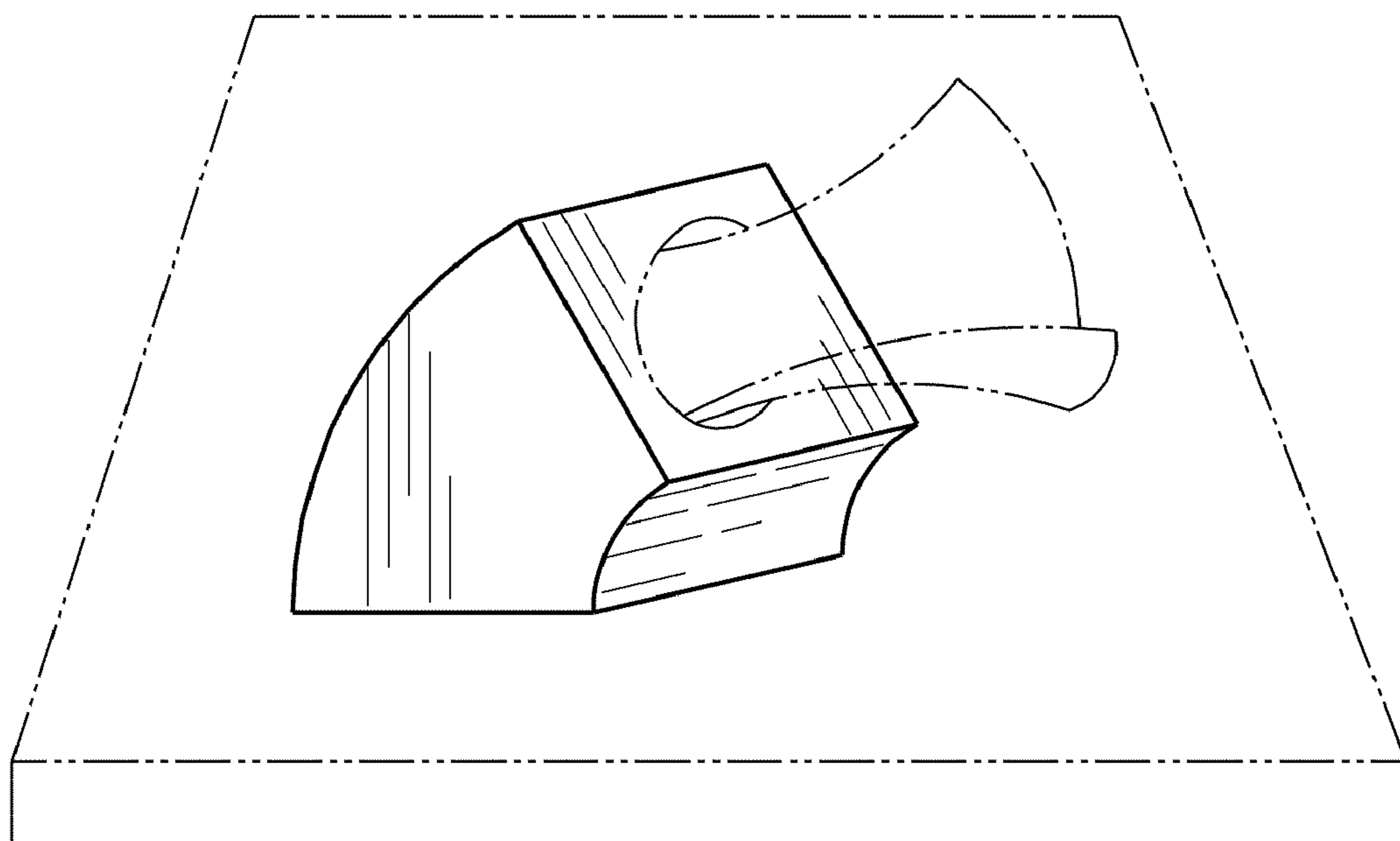


Fig. 9