



US00D578000S

(12) **United States Design Patent**
Zoppas

(10) **Patent No.:** **US D578,000 S**
(45) **Date of Patent:** **** Oct. 7, 2008**

(54) **CLOSURE FOR BEVERAGE BOTTLES**

(75) Inventor: **Enrico Zoppas**, Conegliano (IT)

(73) Assignee: **Acqua Minerale S. Benedetto S.p.A.**,
Scorze' (IT)

(**) Term: **14 Years**

(21) Appl. No.: **29/287,337**

(22) Filed: **Jul. 25, 2007**

(30) **Foreign Application Priority Data**

Feb. 27, 2007 (EM) 000679238

(51) **LOC (8) Cl.** **09-07**

(52) **U.S. Cl.** **D9/453**; D9/438; D9/454

(58) **Field of Classification Search** D9/454,
D9/453, 452, 451, 447, 443, 441, 438, 435;
D7/396.4, 391; D23/250; 215/329, 305,
215/295, 256, 252, 246

See application file for complete search history.

(56) **References Cited**

U.S. PATENT DOCUMENTS

5,829,611 A * 11/1998 Beck 215/252
5,971,182 A * 10/1999 Berge et al. 215/252
D472,144 S * 3/2003 Hierzer et al. D9/435

6,644,487 B2 * 11/2003 Smith et al. 215/235
D504,066 S * 4/2005 King D9/453
D548,075 S * 8/2007 Mavin et al. D9/435
D548,081 S * 8/2007 Noonan D9/453
D556,575 S * 12/2007 Nusbaum et al. D9/449
2004/0251276 A1 * 12/2004 Adams et al. 222/153.14

* cited by examiner

Primary Examiner—Gary D. Watson

Assistant Examiner—Susan B Hattan

(74) *Attorney, Agent, or Firm*—Modiano & Associati; Albert
Josif; Daniel J. O'Byrne

(57) **CLAIM**

The ornamental design for “closure for beverage bottles”, as
shown and described.

DESCRIPTION

FIG. 1 is a side view of a closure for beverage bottles, showing
my new design;

FIG. 2 is a front view thereof;

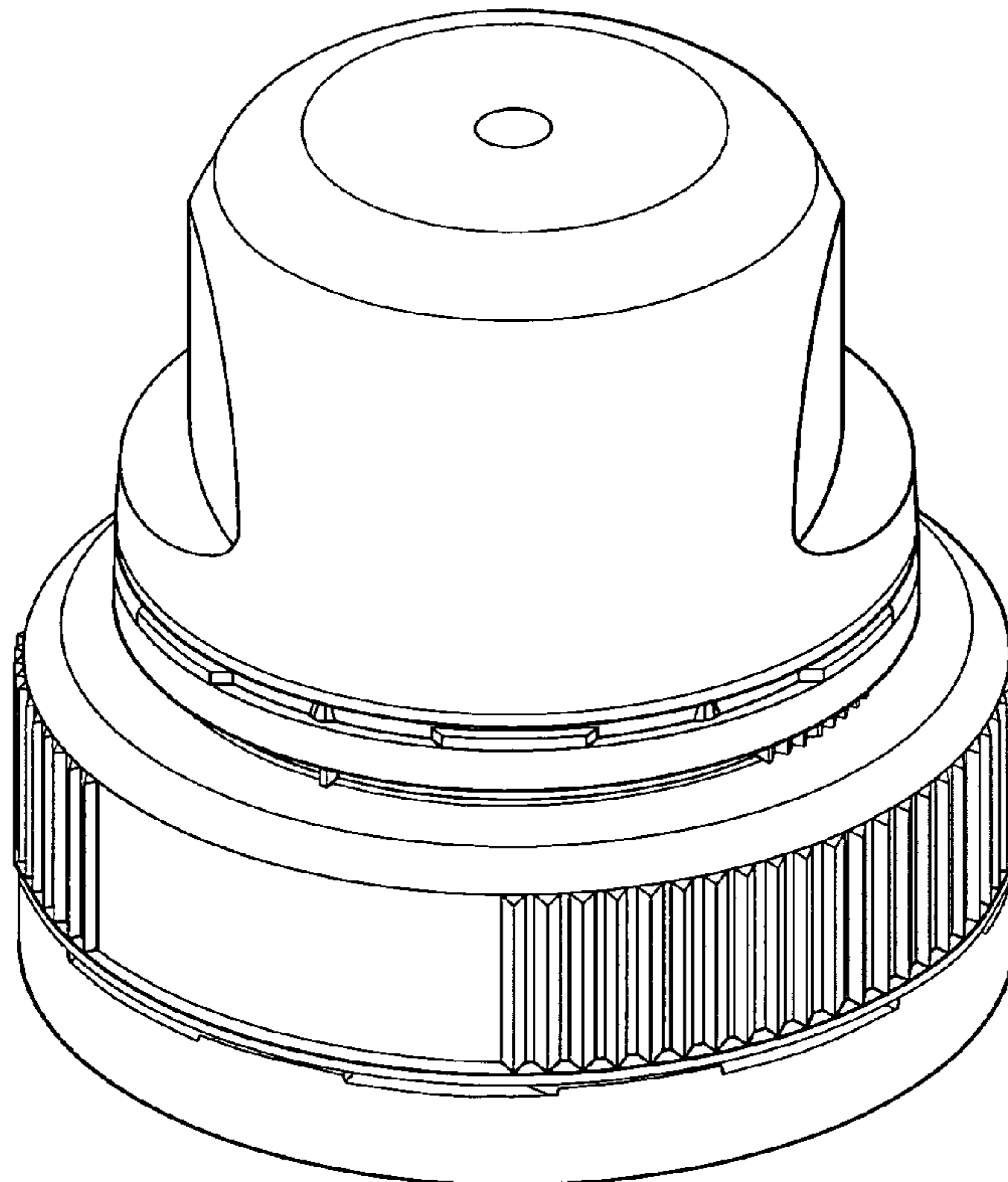
FIG. 3 is a bottom view thereof;

FIG. 4 is a perspective view thereof;

FIG. 5 is a side perspective view thereof; and,

FIG. 6 is a front perspective view thereof.

1 Claim, 3 Drawing Sheets



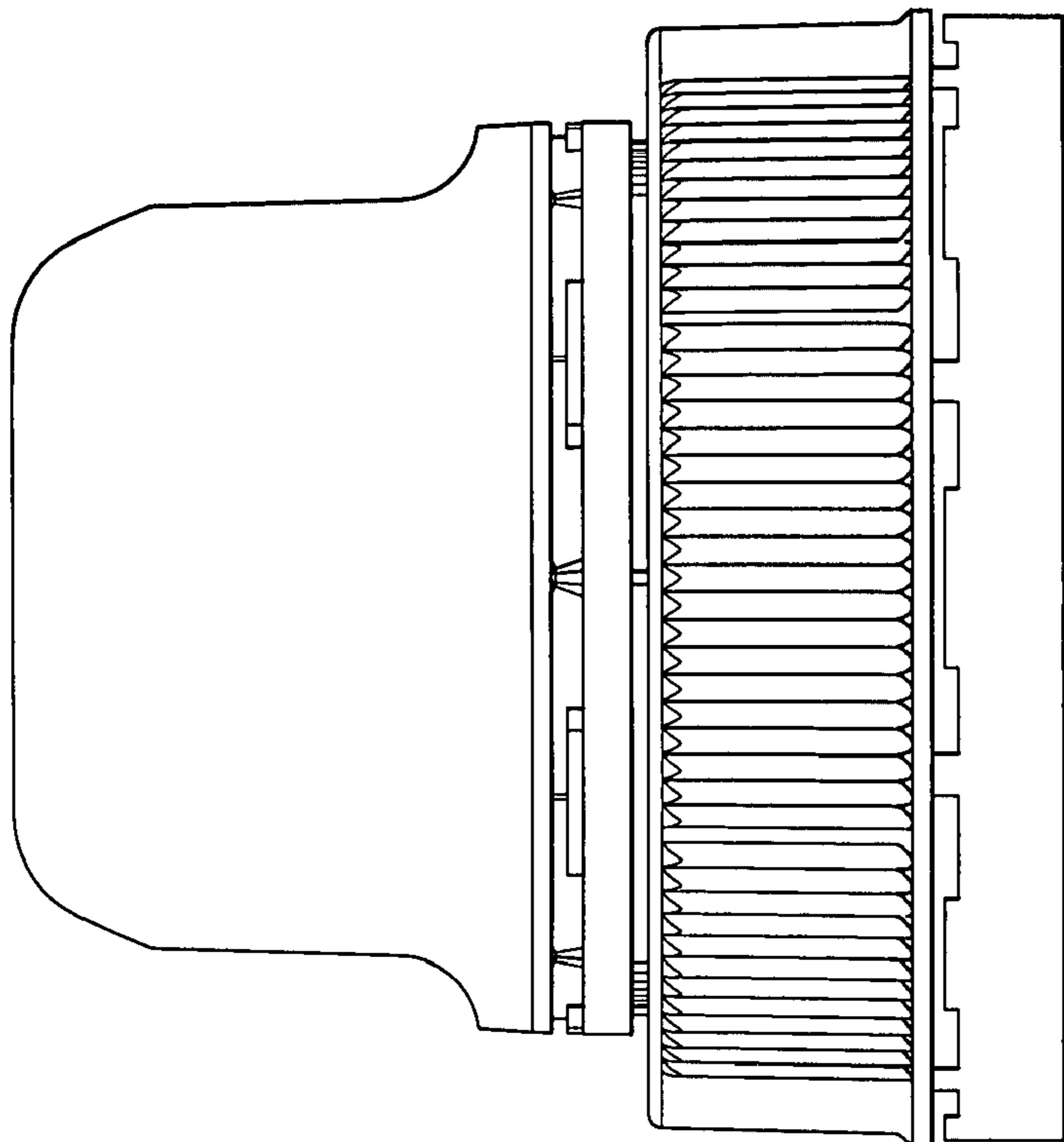


Fig. 2

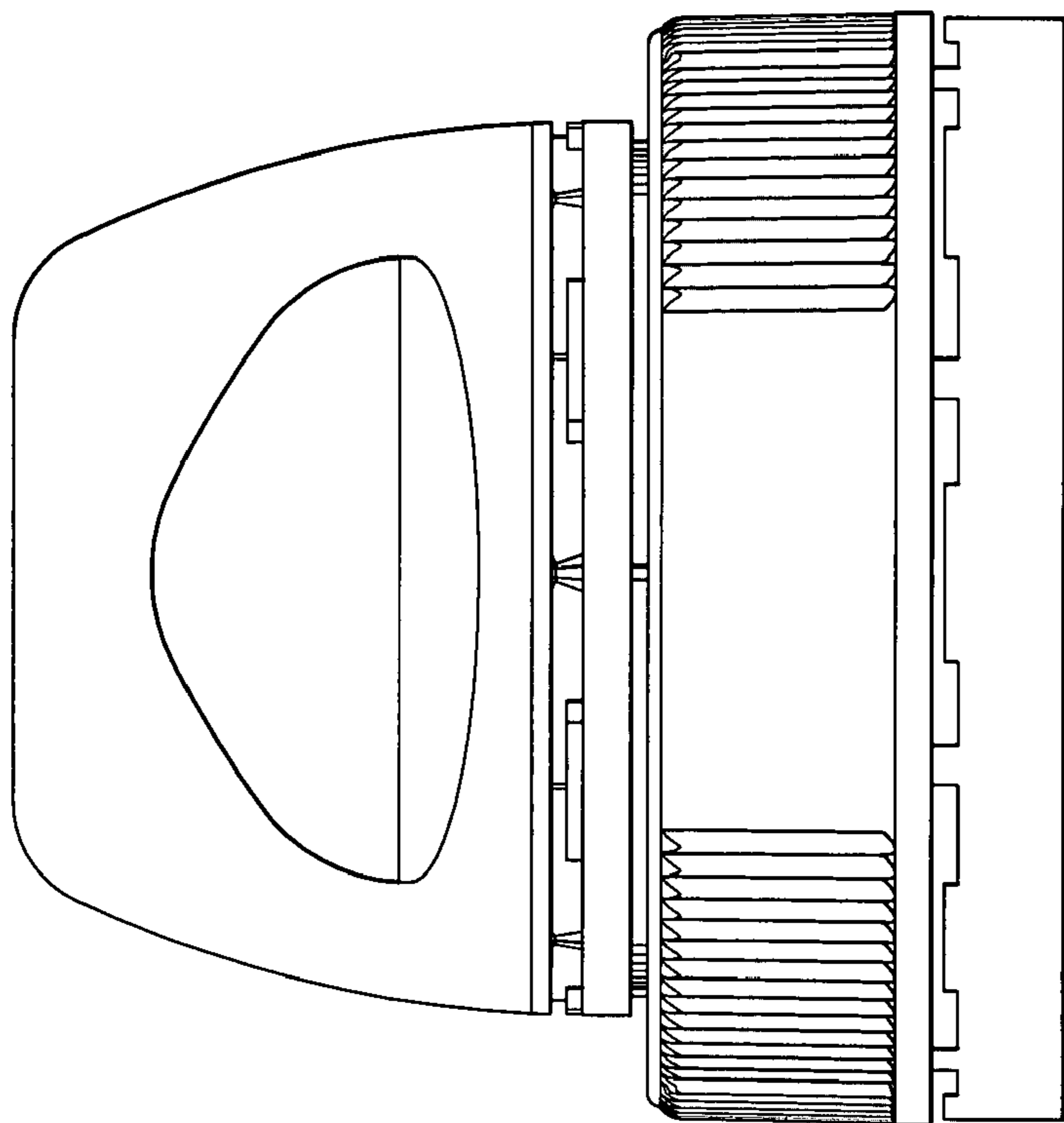


Fig. 1

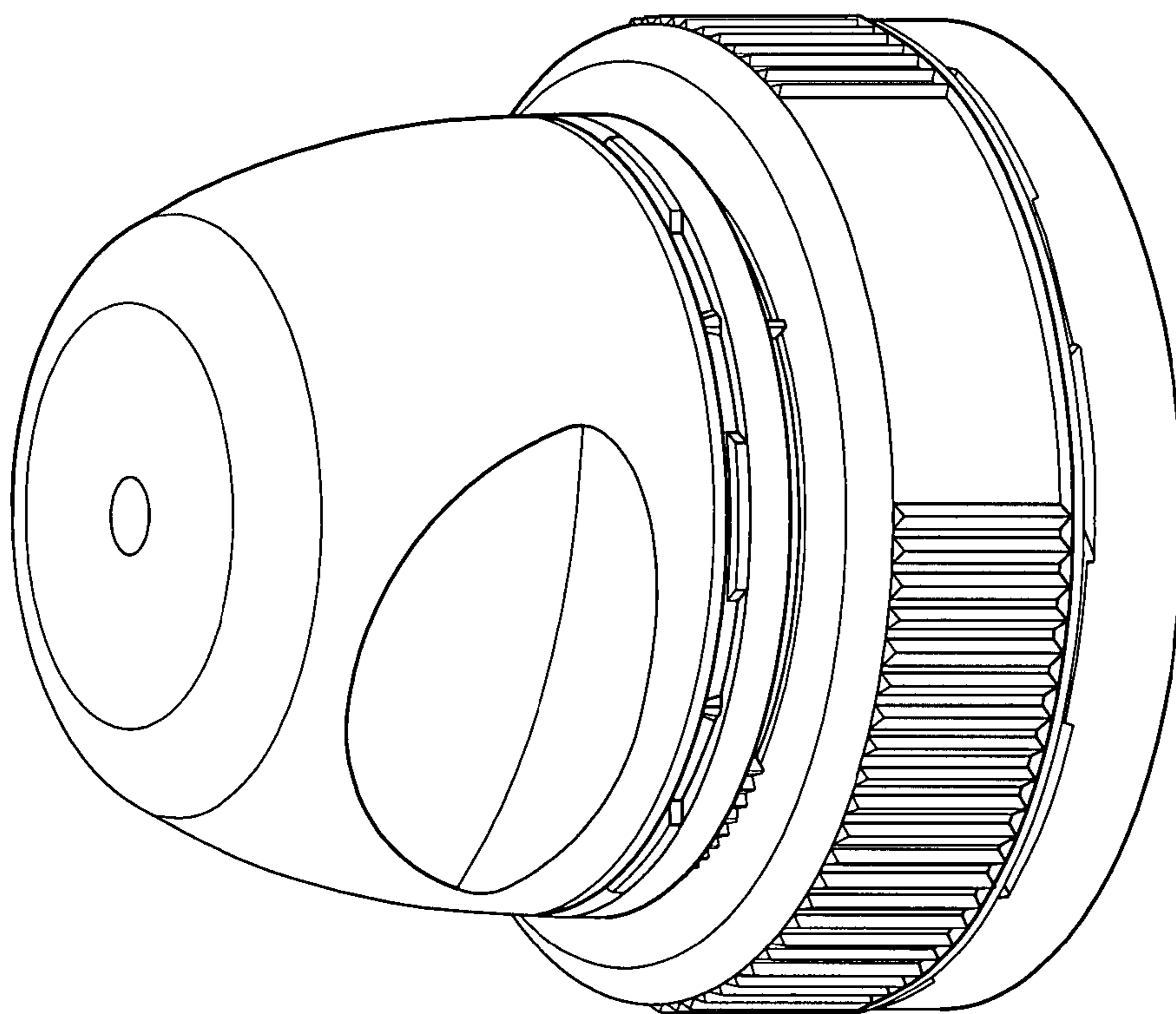


Fig. 4

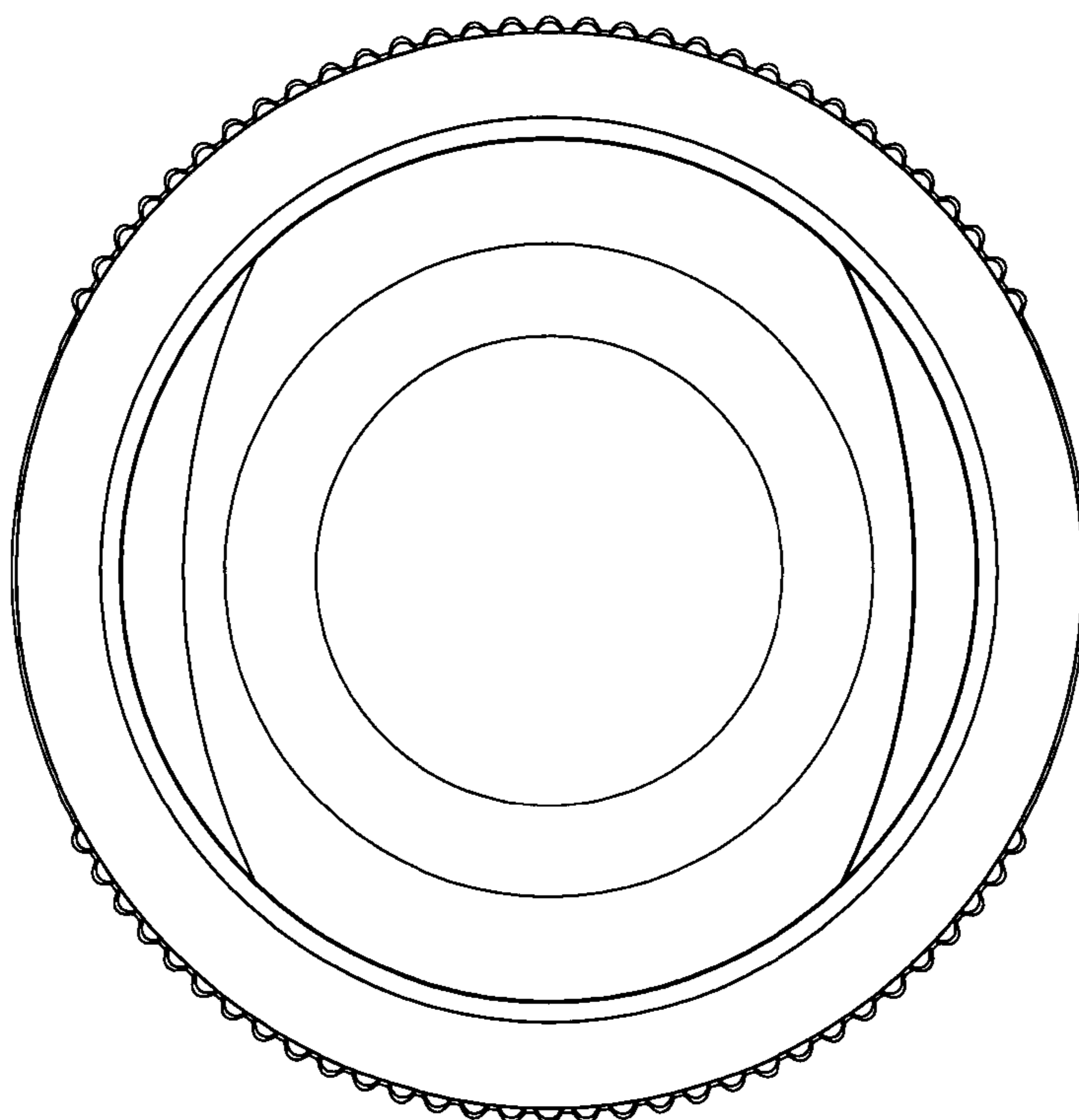


Fig. 3

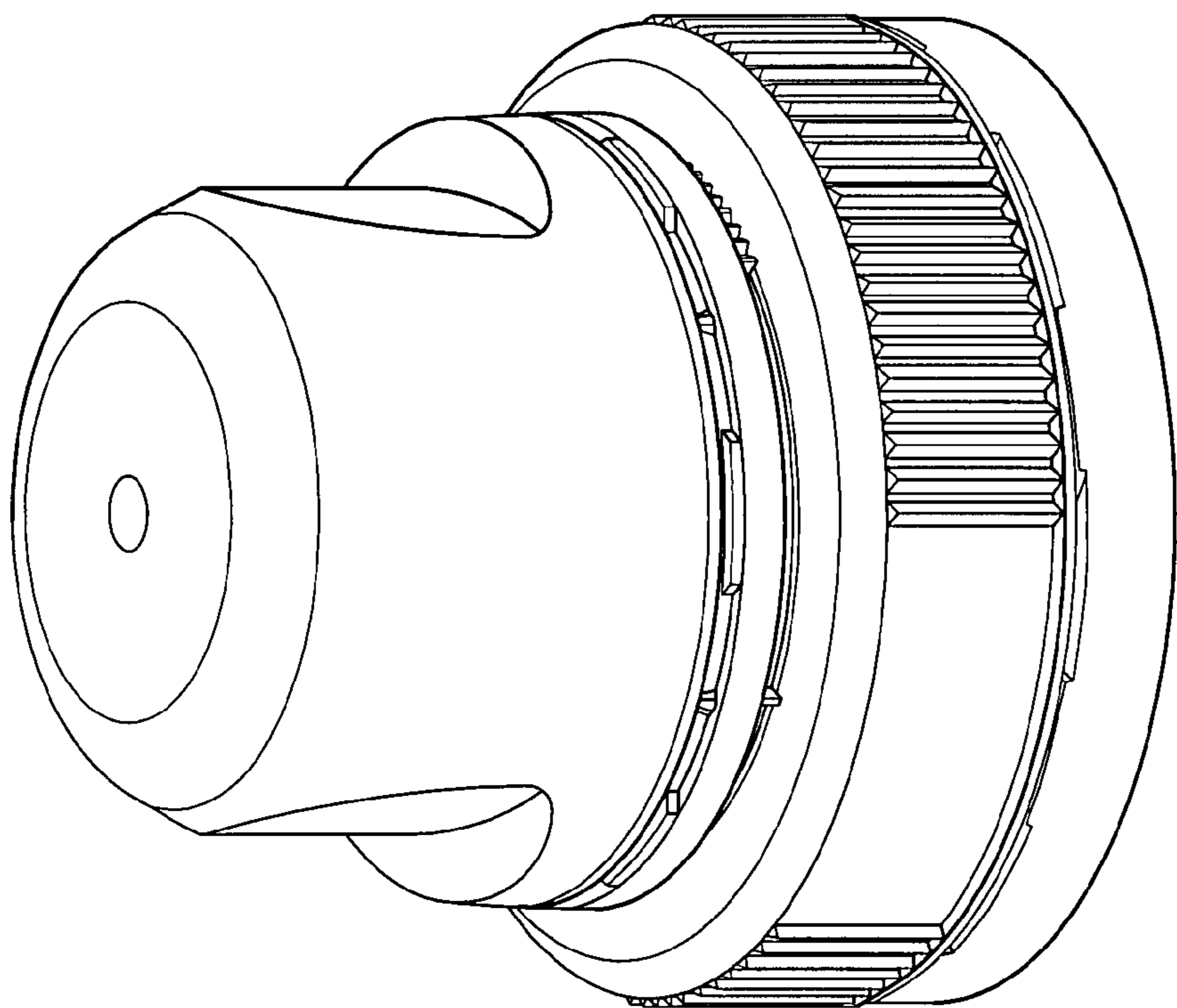


Fig. 6

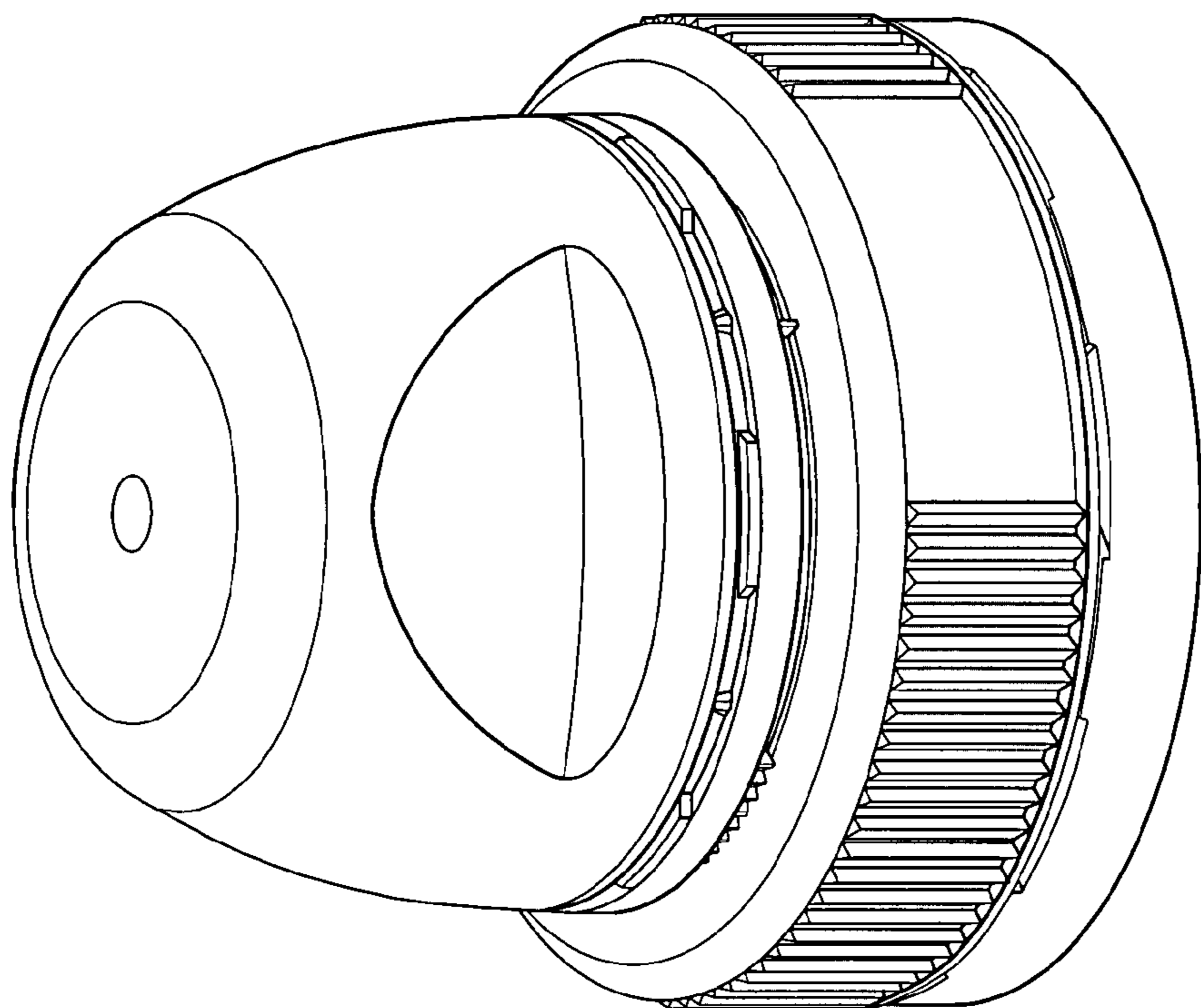


Fig. 5