



US00D577998S

(12) **United States Design Patent**
Decottignies

(10) **Patent No.:** **US D577,998 S**
(45) **Date of Patent:** **** Oct. 7, 2008**

(54) **PUSHBUTTON DISPENSER CAP**
(75) Inventor: **Laurent Decottignies**, Cergy (FR)
(73) Assignee: **Airlessystems**, Charleval (FR)
(**) Term: **14 Years**
(21) Appl. No.: **29/264,435**
(22) Filed: **Aug. 10, 2006**

D389,059 S * 1/1998 Mascitelli D9/448
D399,745 S * 10/1998 Mascitelli D9/448
D512,646 S * 12/2005 Py et al. D9/682
D535,188 S * 1/2007 Lee D9/448

* cited by examiner

Primary Examiner—Gary D. Watson
Assistant Examiner—Susan Bennett Hattan
(74) *Attorney, Agent, or Firm*—Sughrue Mion, PLLC

(30) **Foreign Application Priority Data**
Feb. 10, 2006 (EM) 000478201-0002

(57) **CLAIM**

The ornamental design for a pushbutton dispenser cap, as shown.

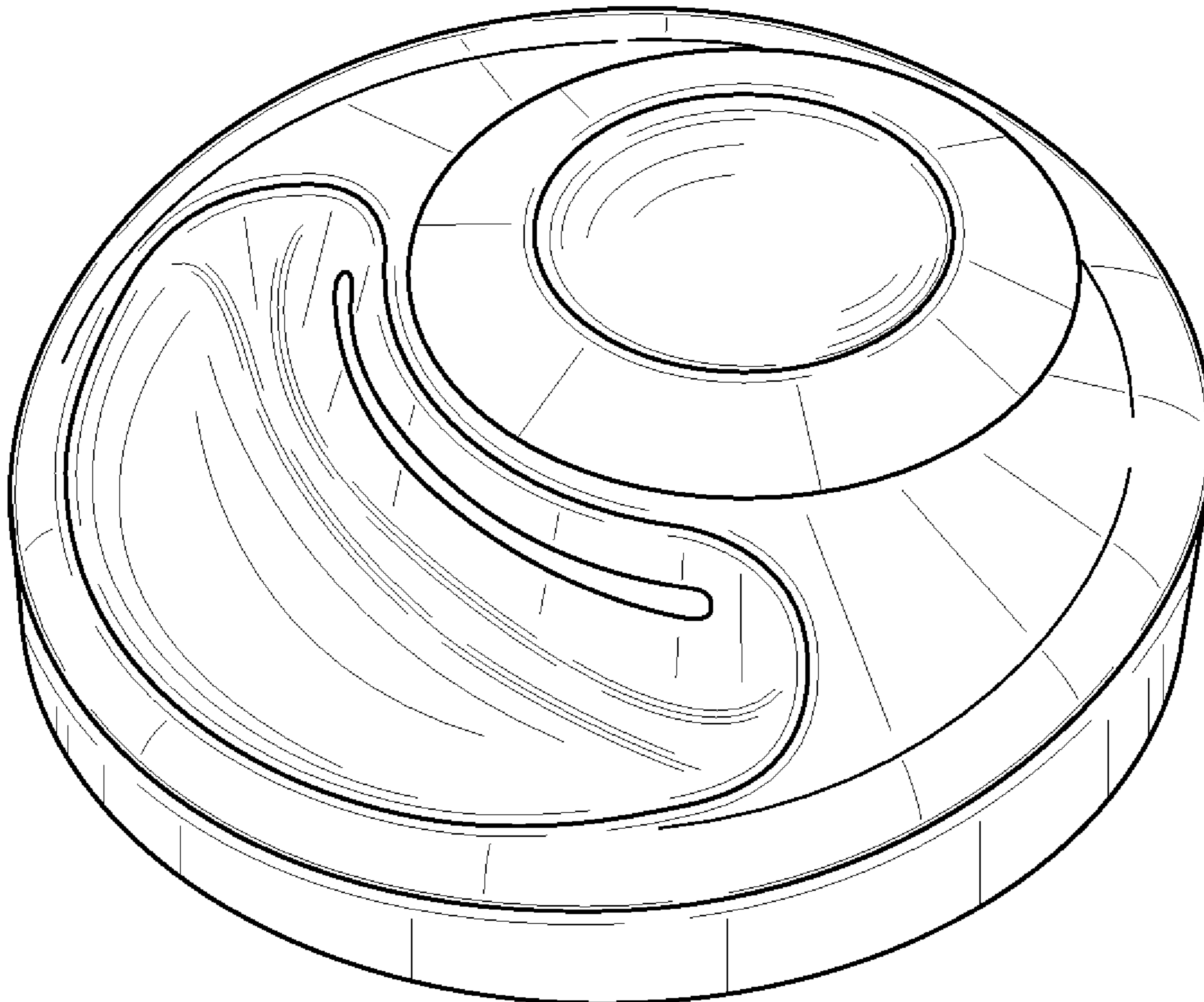
(51) **LOC (8) Cl.** **09-07**
(52) **U.S. Cl.** **D9/448; D9/454**
(58) **Field of Classification Search** D9/734,
D9/728, 682, 448, 447, 440, 434, 693, 694,
D9/690; D6/515; D23/238; 222/321.1–321.9,
222/282, 251; 221/63
See application file for complete search history.

DESCRIPTION

FIG. 1 is a perspective view of the top, front and right side of a pushbutton dispenser cap showing my new design;
FIG. 2 is a front elevational view thereof;
FIG. 3 is a rear elevational view thereof;
FIG. 4 is a right side elevational view thereof;
FIG. 5 is a left side elevational view thereof; and,
FIG. 6 is a top plan view thereof.

(56) **References Cited**
U.S. PATENT DOCUMENTS
D356,249 S * 3/1995 Abfier et al. D9/448

1 Claim, 4 Drawing Sheets



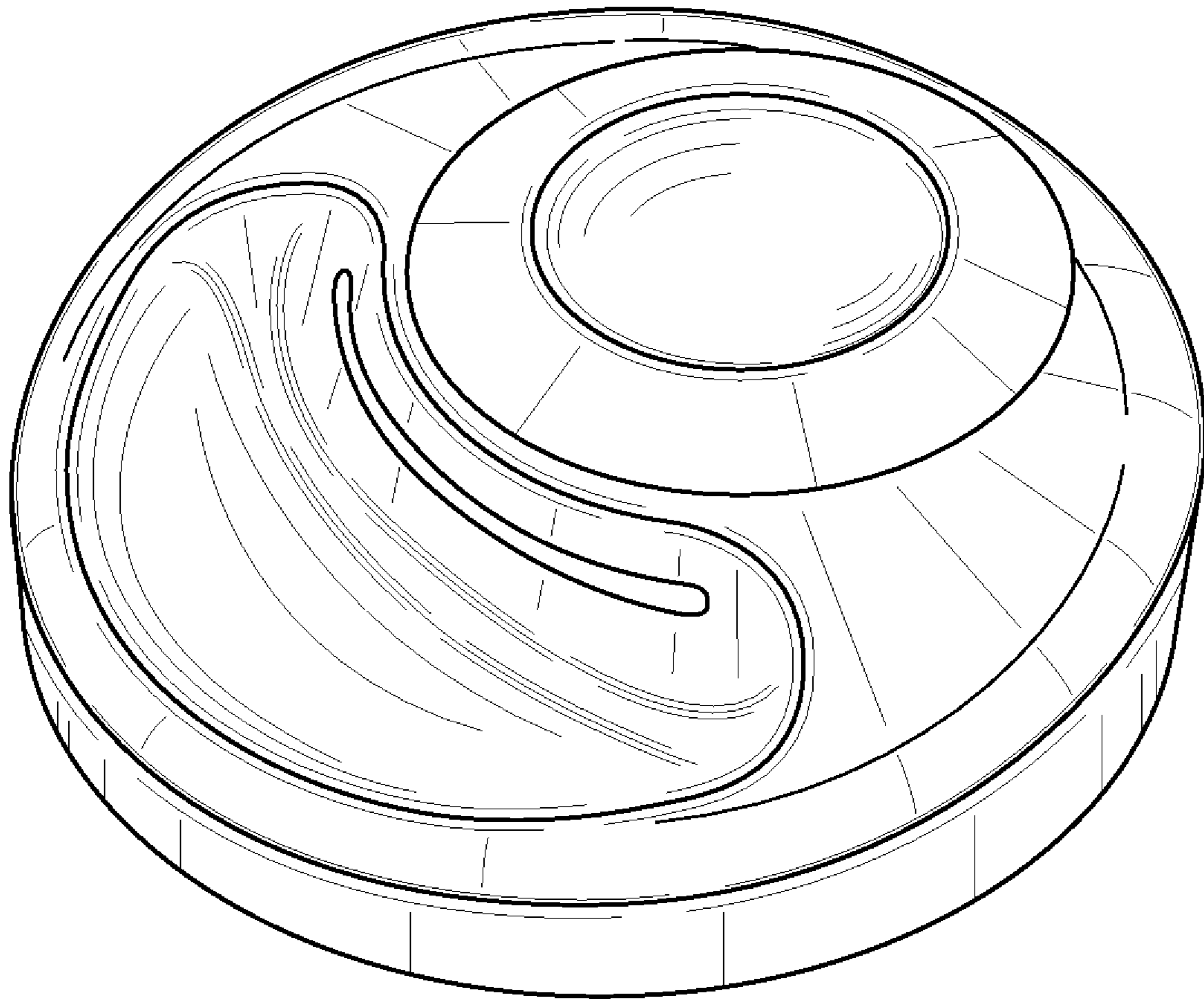


Fig. 1

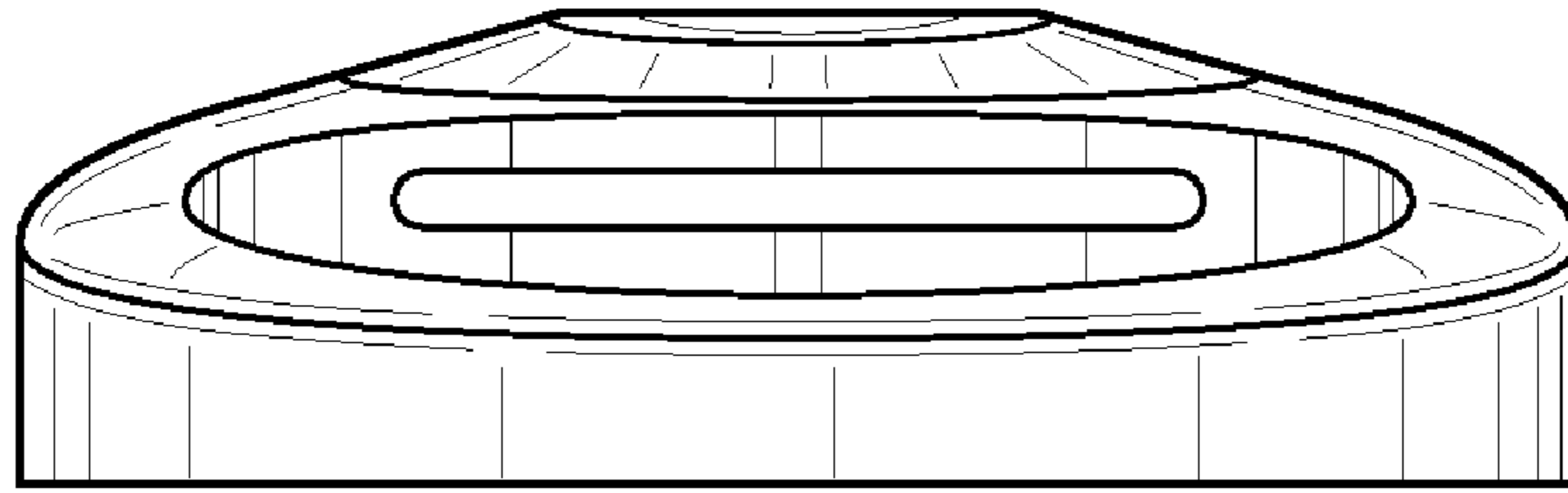


Fig. 2

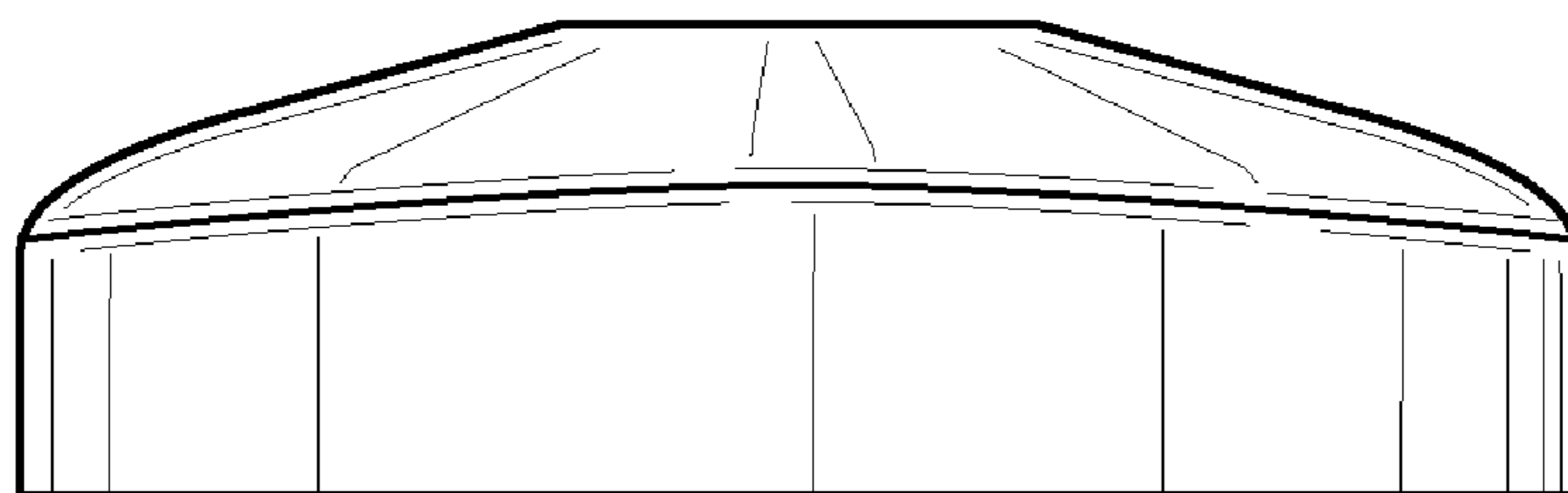


Fig. 3

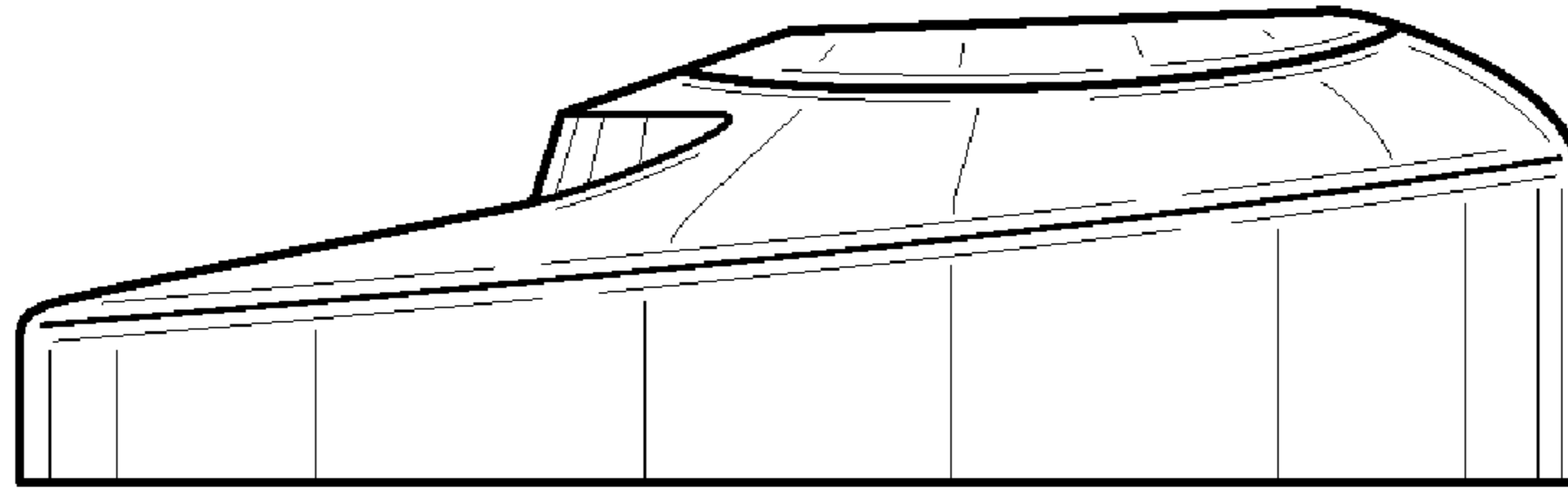


Fig. 4

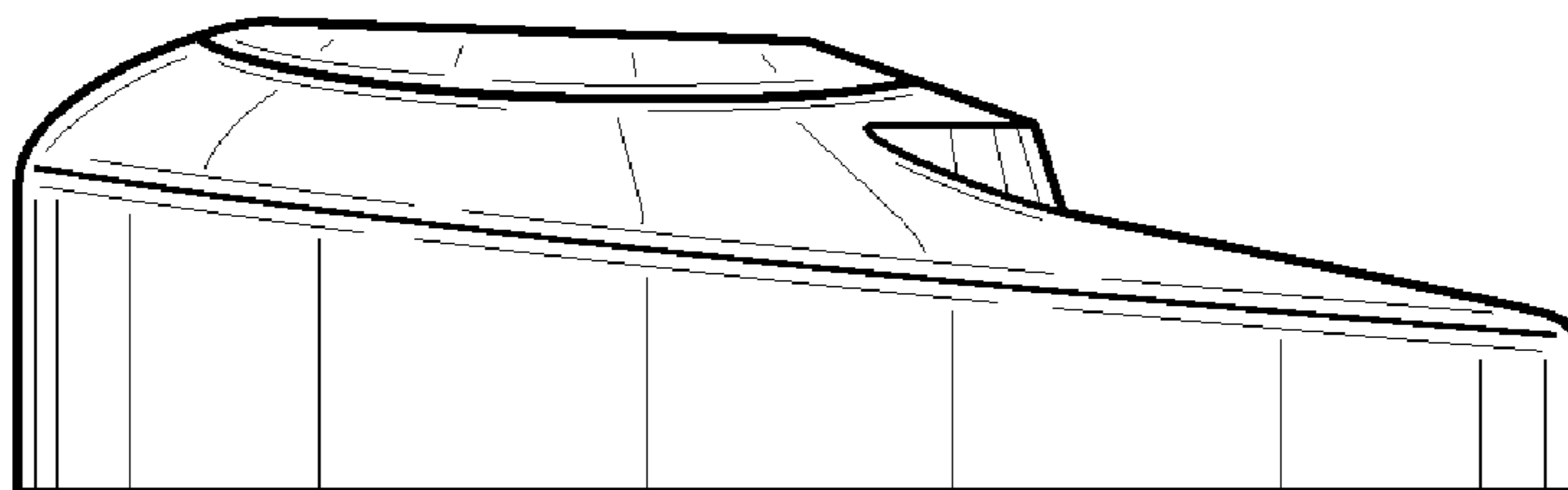


Fig. 5

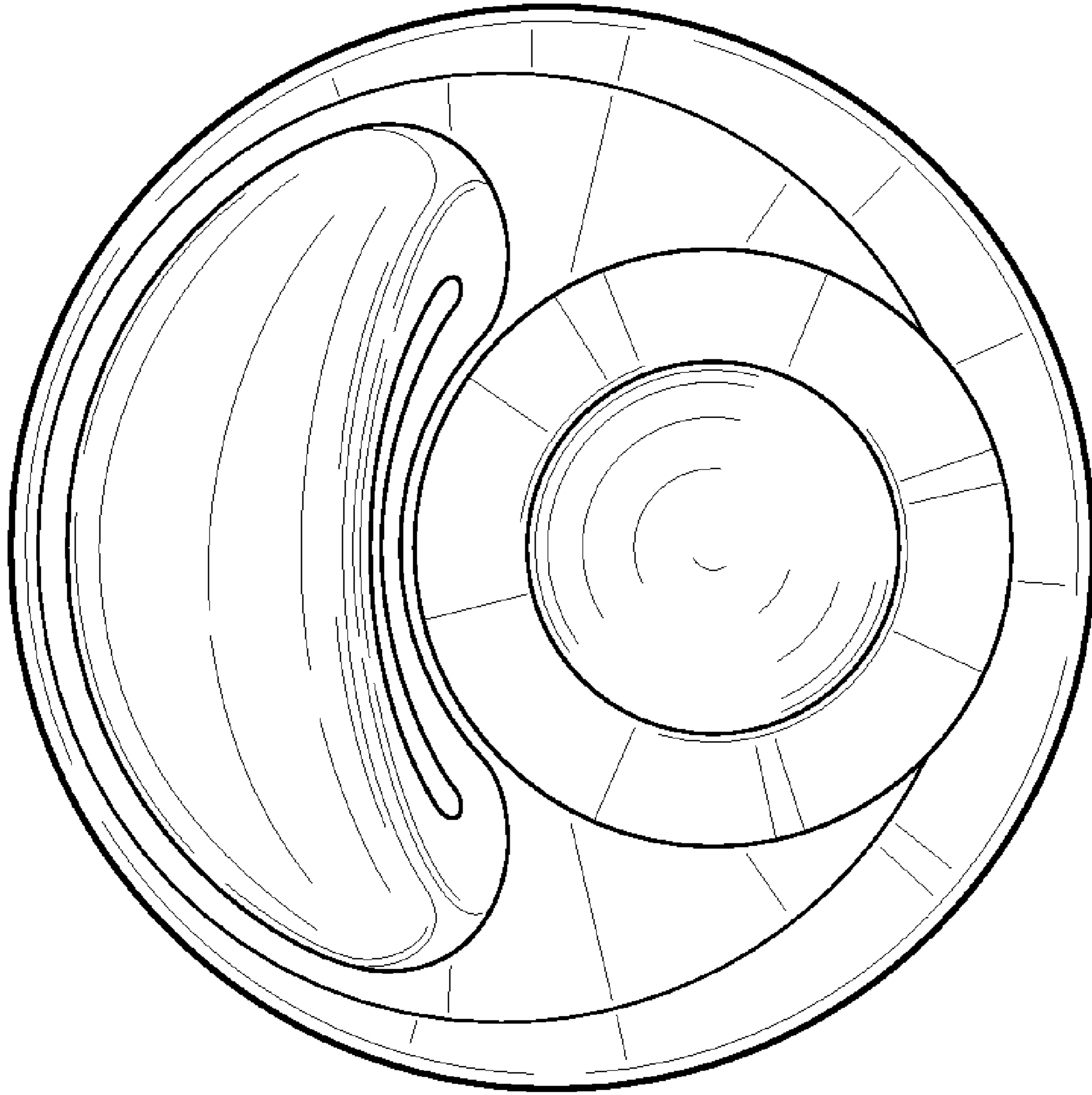


Fig. 6