



US00D577997S

(12) **United States Design Patent**
Pan

(10) **Patent No.:** **US D577,997 S**

(45) **Date of Patent:** **** Oct. 7, 2008**

(54) **FLUID DISPENSER**

D484,801 S * 1/2004 Pierce D9/440
D533,776 S * 12/2006 Allen et al. D9/440

(75) Inventor: **Patrick Pan**, Taipei (TW)

* cited by examiner

(73) Assignee: **Epopack Co., Ltd.**, Taipei Hsein (TW)

Primary Examiner—Robin V Webster

(**) Term: **14 Years**

(74) *Attorney, Agent, or Firm*—Rabin & Berdo, PC

(21) Appl. No.: **29/298,039**

(57) **CLAIM**

(22) Filed: **Nov. 27, 2007**

The ornamental design for a fluid dispenser, as shown and described.

(51) **LOC (8) Cl.** **09-07**

(52) **U.S. Cl.** **D9/440; D7/398**

(58) **Field of Classification Search** D23/213;
D9/440, 435; D7/313, 398; 137/322; 222/400.7
See application file for complete search history.

DESCRIPTION

FIG. 1 is a perspective view of a fluid dispenser showing my new design;

FIG. 2 is a front view thereof;

FIG. 3 is a rear view thereof;

FIG. 4 is a left side view thereof;

FIG. 5 is a right side view thereof;

FIG. 6 is a top view thereof; and,

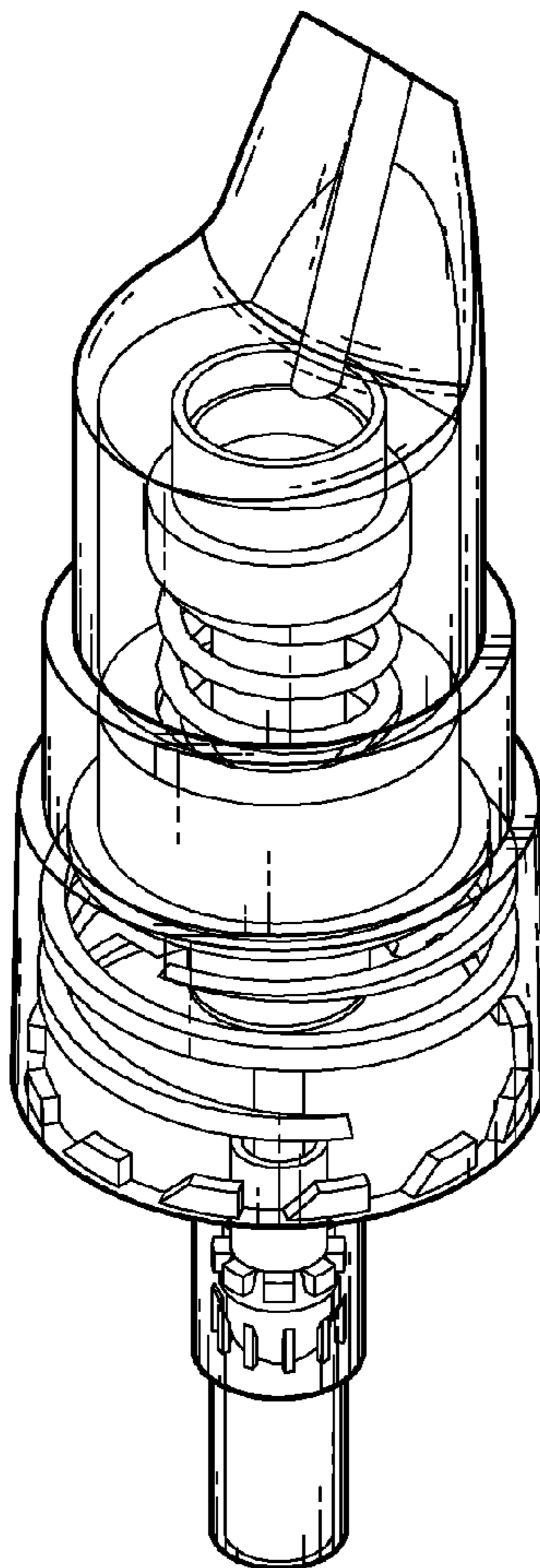
FIG. 7 is a bottom view thereof.

(56) **References Cited**

U.S. PATENT DOCUMENTS

| | | | | |
|--------------|--------|------------------|-------|---------|
| D217,330 S * | 4/1970 | Conry | | D9/440 |
| D309,232 S * | 7/1990 | Valiyee et al. | | D7/398 |
| D316,208 S * | 4/1991 | Griffiths et al. | | D7/398 |
| D358,295 S * | 5/1995 | Moench | | D7/398 |
| D361,242 S * | 8/1995 | Baroudi | | D7/398 |
| D440,631 S * | 4/2001 | Shipway | | D23/233 |

1 Claim, 6 Drawing Sheets



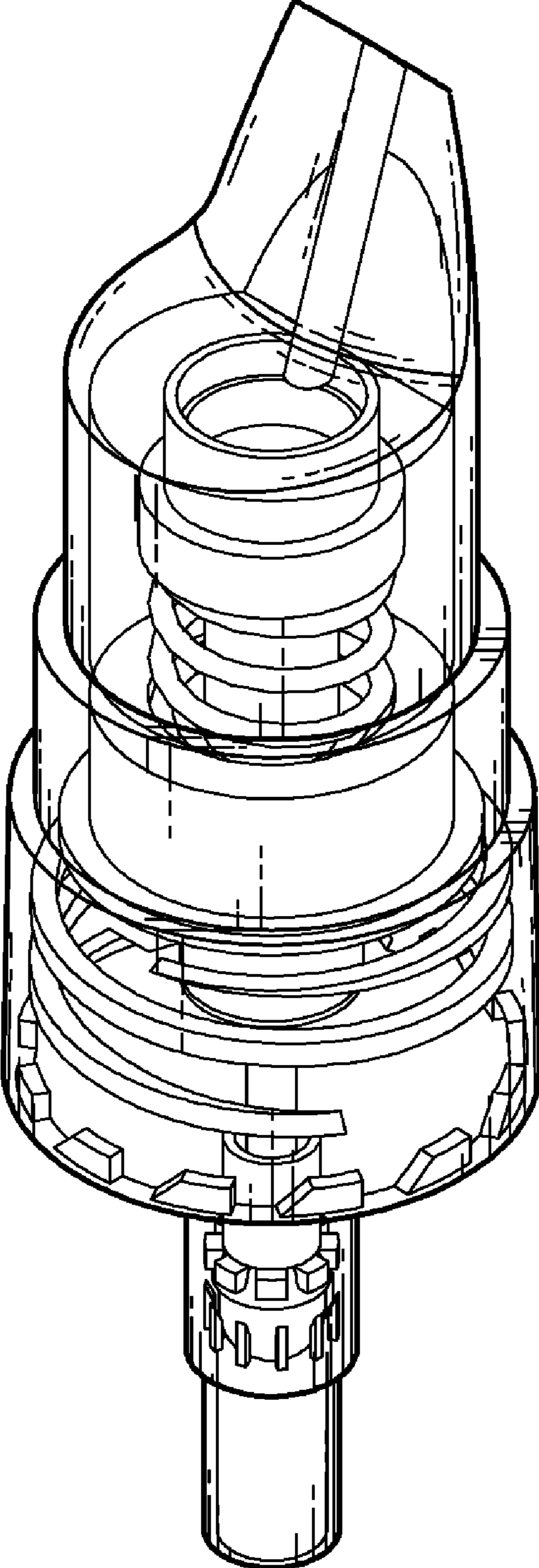


FIG. 1

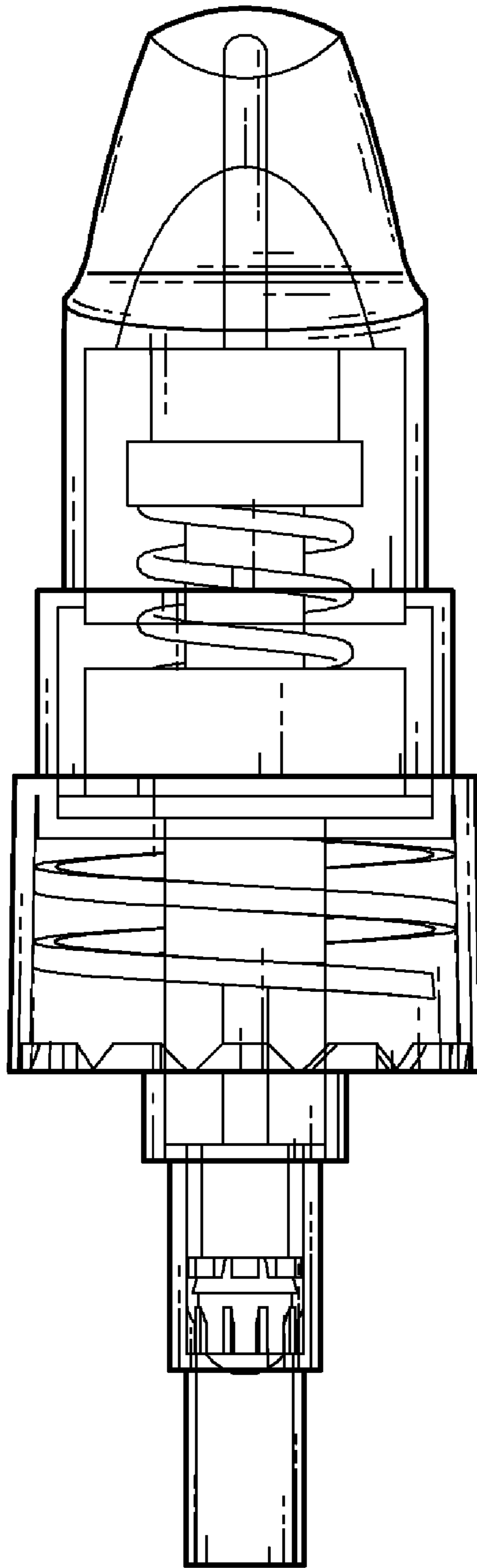


FIG. 2

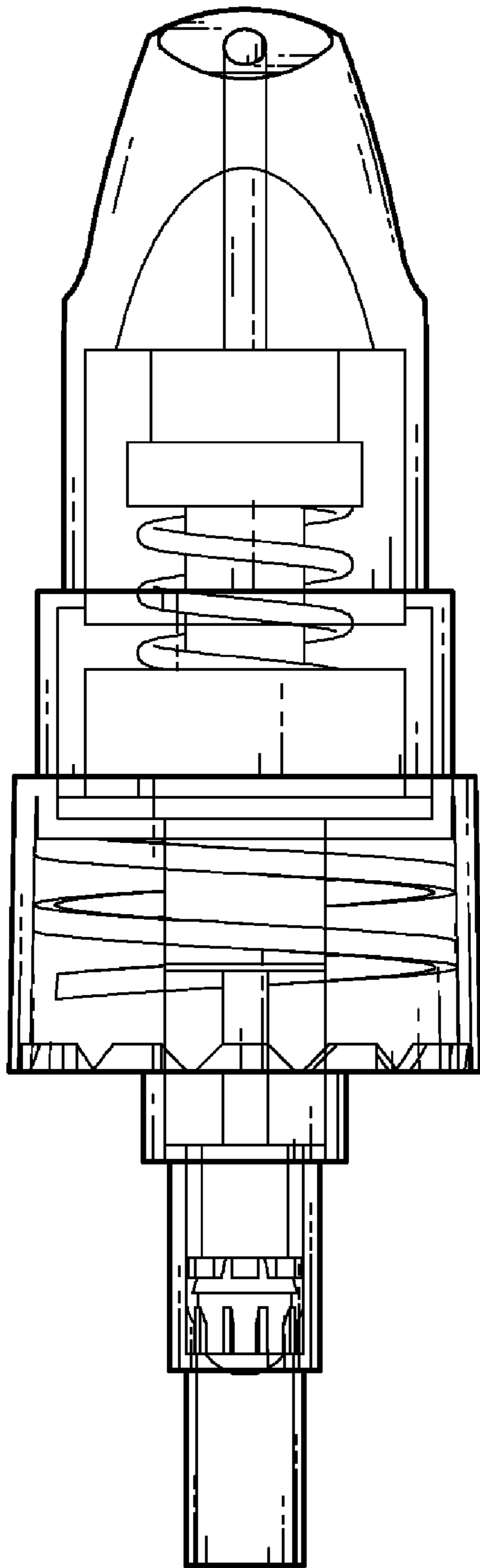


FIG. 3

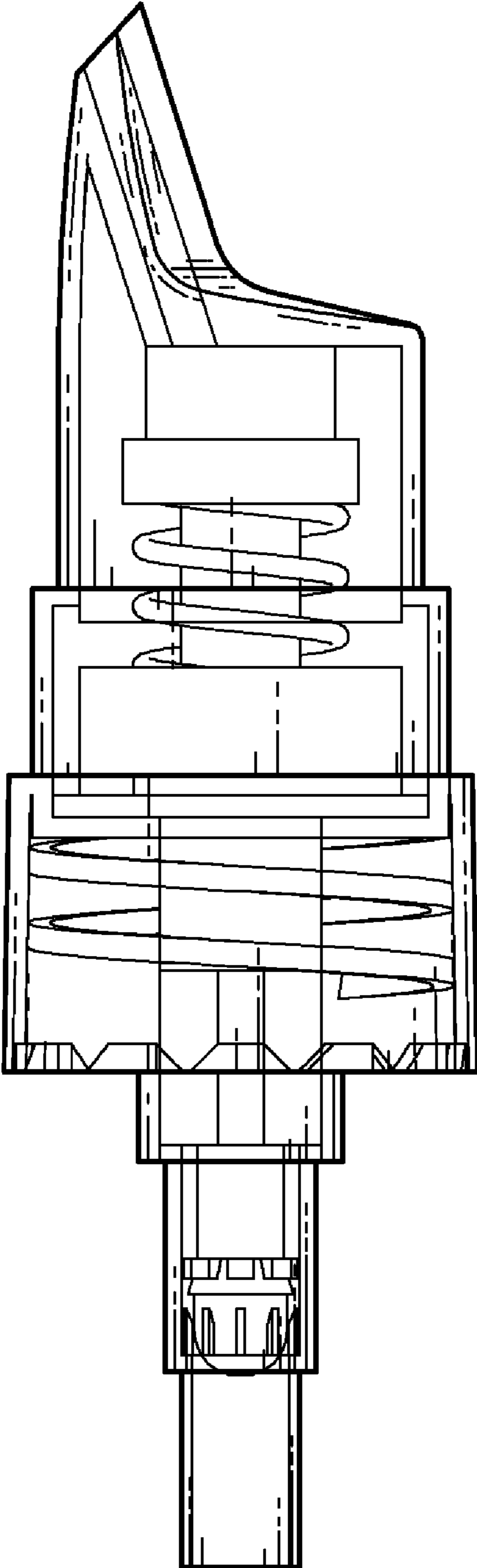


FIG. 4

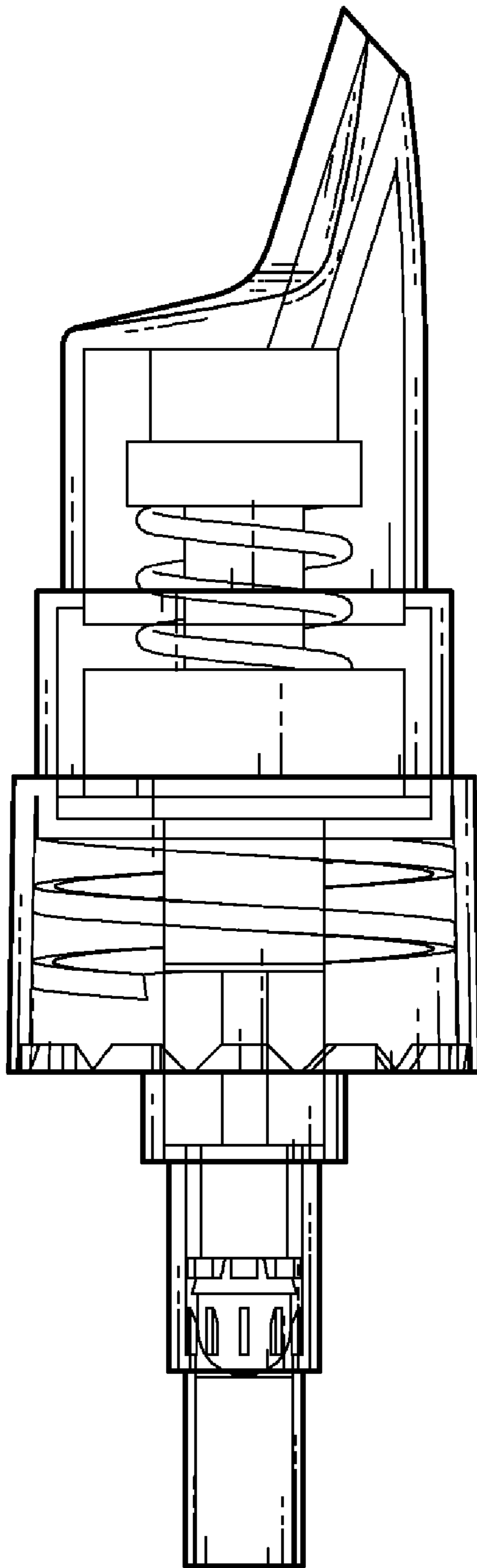


FIG. 5

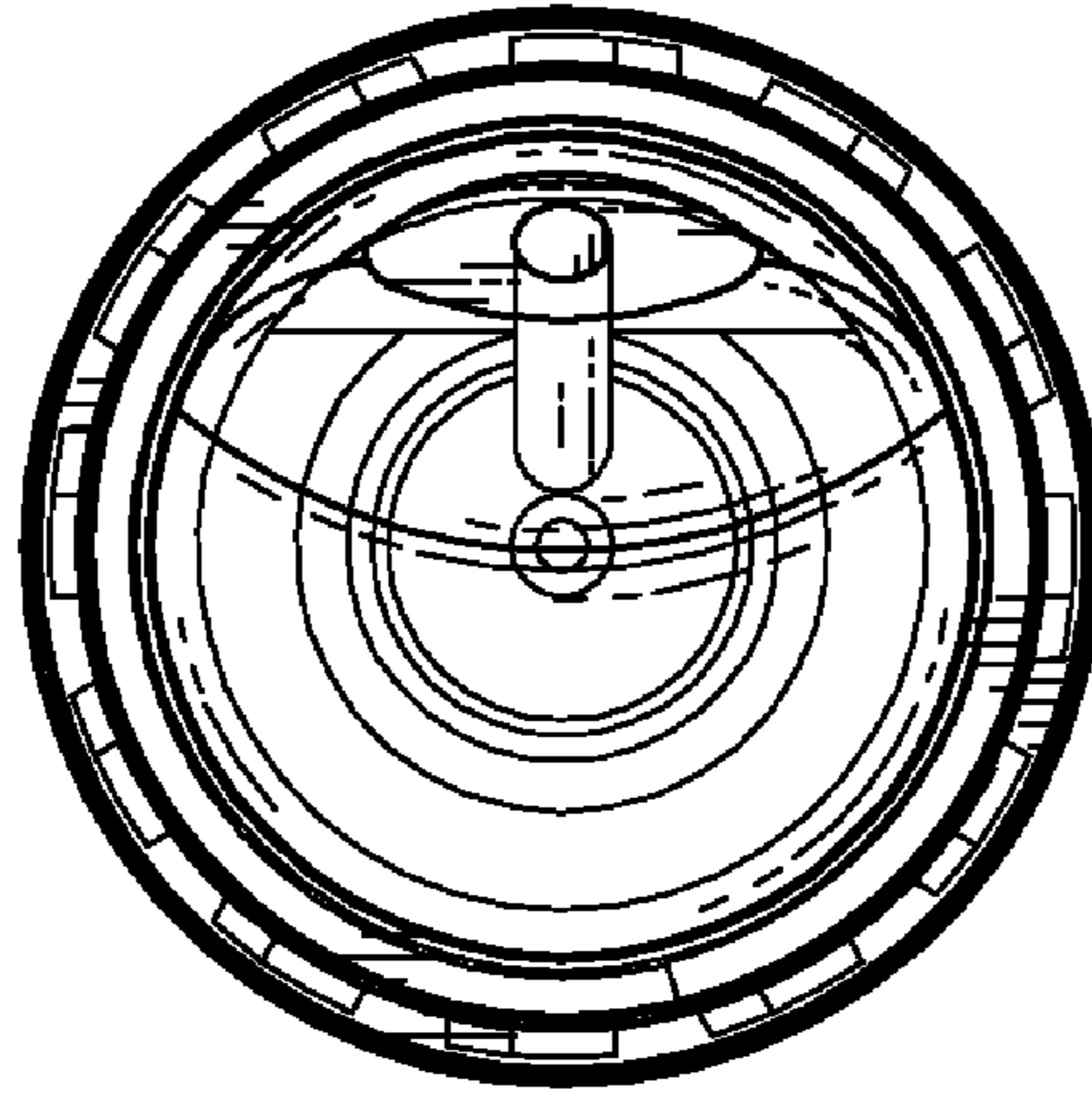


FIG. 6

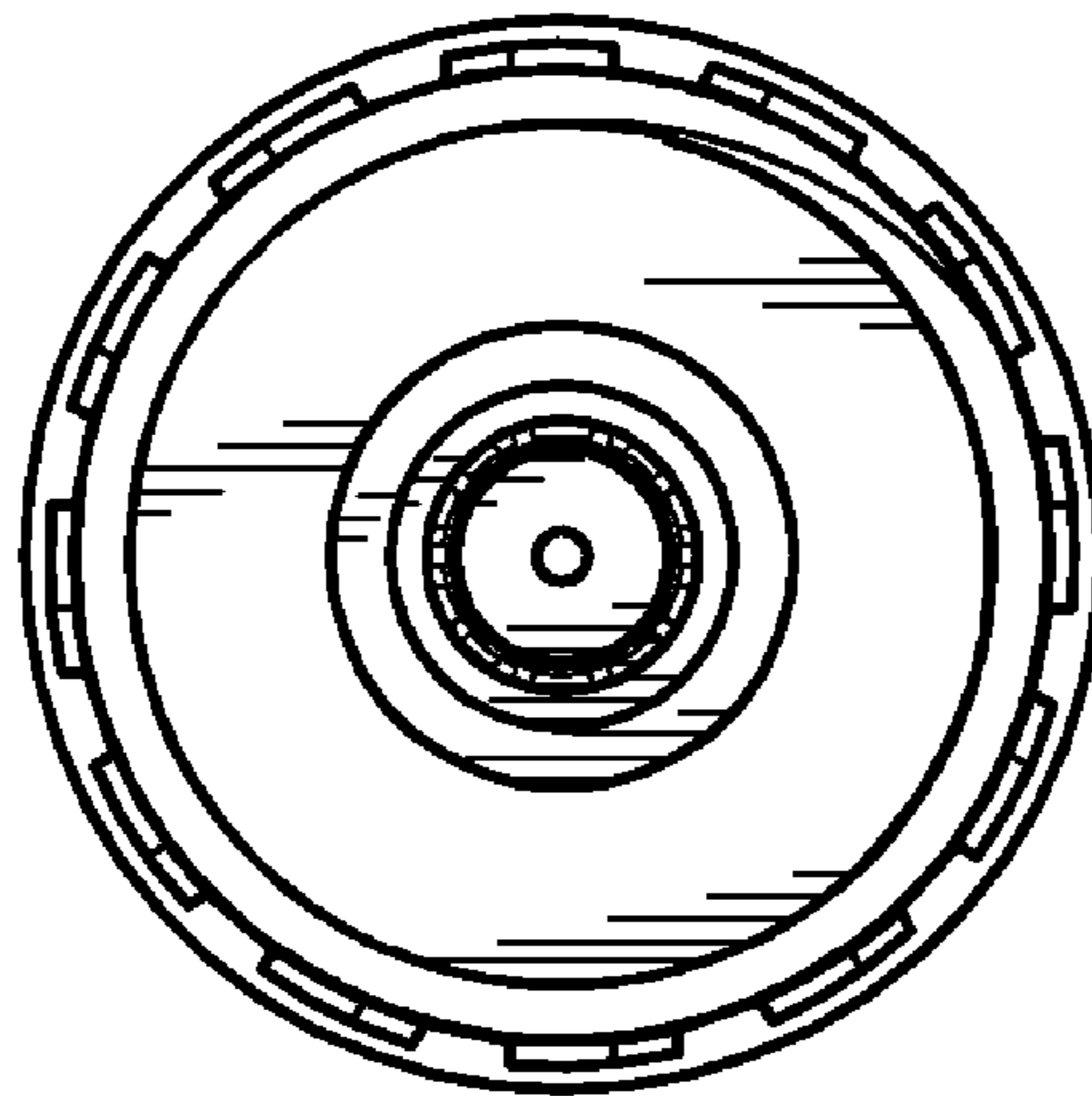


FIG. 7