



US00D577995S

(12) **United States Design Patent**  
**Lovett**

(10) **Patent No.:** **US D577,995 S**  
(45) **Date of Patent:** **\*\* Oct. 7, 2008**

(54) **CONTAINER**

(75) Inventor: **James Kyle Lovett**, Atlanta, GA (US)

(73) Assignee: **InnoWare Plastic, Inc.**, Atlanta, GA (US)

(\*\*) Term: **14 Years**

(21) Appl. No.: **29/284,025**

(22) Filed: **Aug. 29, 2007**

(51) **LOC (8) Cl.** ..... **09-03**

(52) **U.S. Cl.** ..... **D9/425**

(58) **Field of Classification Search** ..... D9/414-424,  
D9/426, 428, 430-435, 450, 456, 503, 523-525,  
D9/715, 719, 737, 761; D3/203.1-203.4,  
D3/206, 270, 294; D19/51, 84-85; D30/101;  
220/253, 254.2, 326, 507, 825, 835, 263,  
220/266, 787; 206/497, 533-534, 538, 583,  
206/783, 515; 229/120.12, 123.2-123.3,  
229/125.13-125.14; D7/360, 538-540, 587,  
D7/391, 543, 500, 629, 602

See application file for complete search history.

(56) **References Cited**

**U.S. PATENT DOCUMENTS**

D375,259 S \* 11/1996 Whitehead ..... D9/761  
D378,180 S \* 2/1997 Hayes et al. .... D7/554.1  
D380,648 S \* 7/1997 Rider et al. .... D7/555  
D395,599 S \* 6/1998 Wyslowsky ..... D9/425  
5,762,231 A \* 6/1998 Rider et al. .... 220/526  
5,984,130 A \* 11/1999 Hayes et al. .... 220/574

D427,525 S \* 7/2000 Hayes et al. .... D9/431  
D427,902 S \* 7/2000 Hayes et al. .... D9/425  
D489,254 S \* 5/2004 Kocis et al. .... D9/425  
D541,589 S \* 5/2007 Littlejohn et al. .... D7/549  
D551,508 S \* 9/2007 Friedland et al. .... D7/545

\* cited by examiner

*Primary Examiner*—Robert M. Spear

*Assistant Examiner*—Susan E Krakower

(74) *Attorney, Agent, or Firm*—Baker Donelson Bearman  
Caldwell & Berkowitz PC

(57) **CLAIM**

The ornamental design for a container, as shown and described.

**DESCRIPTION**

FIG. 1 is a perspective view of a container having a base and a lid attached in a closed position showing my new design;

FIG. 2 is a perspective view of the container having the base and the lid in a partially opened position;

FIG. 3 is a perspective view of the container having the base and the lid in an opened position;

FIG. 4 is a top view of the container in a closed position;

FIG. 5 is a bottom view thereof;

FIG. 6 is a rear view thereof;

FIG. 7 is a front view thereof; and,

FIG. 8 is a right side view thereof, the left side being a mirror image thereof.

**1 Claim, 5 Drawing Sheets**

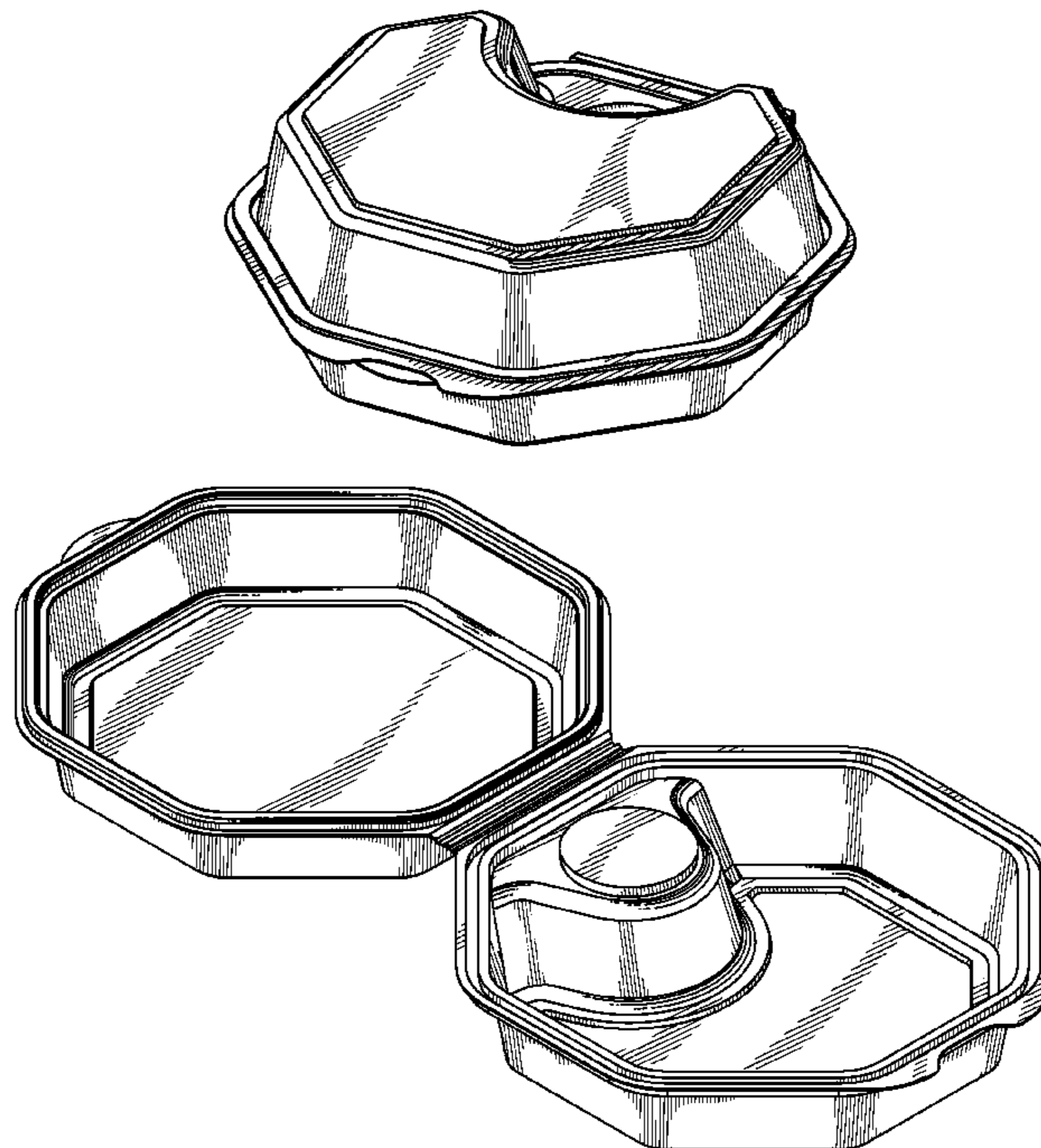


Fig. 1

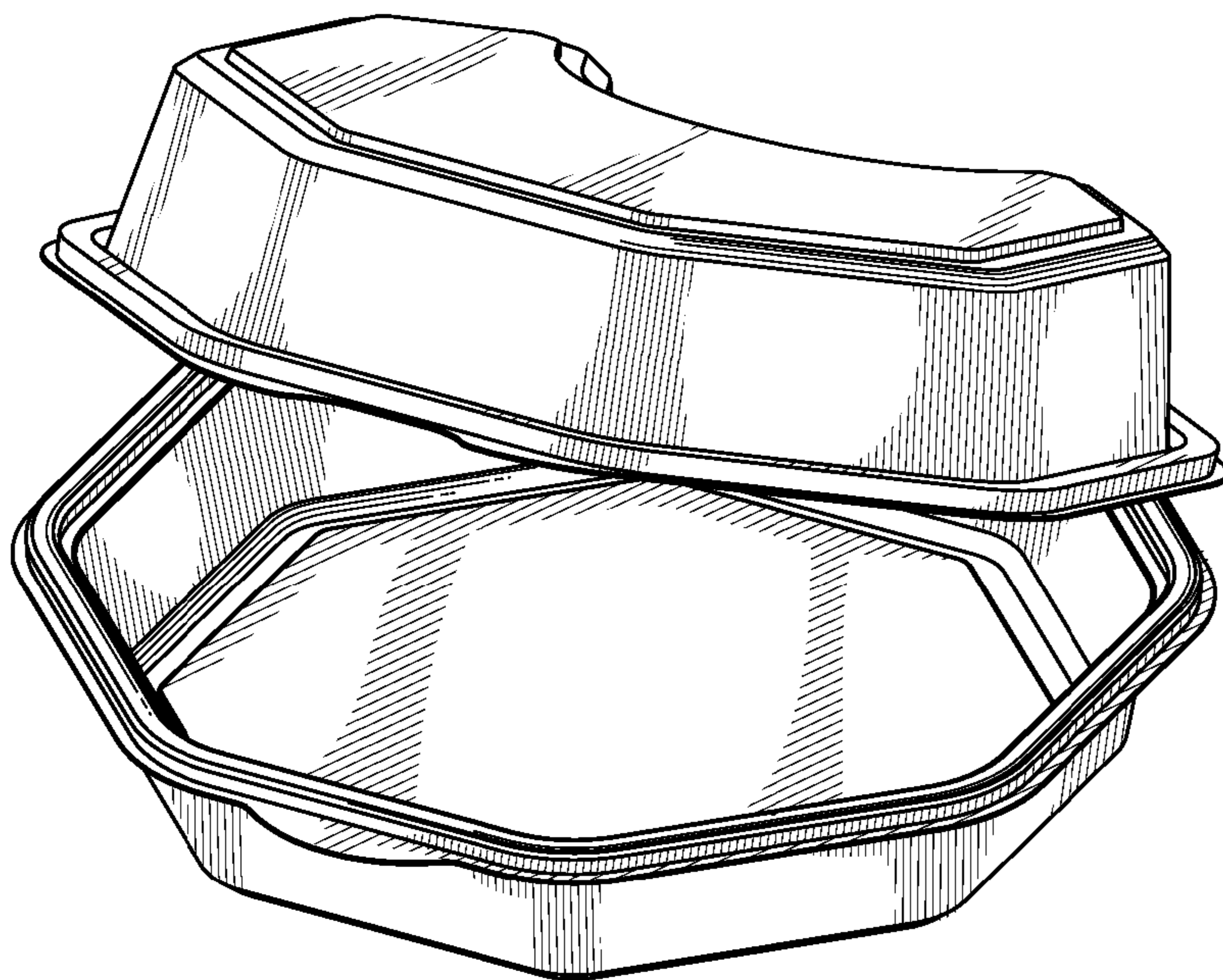


Fig. 2

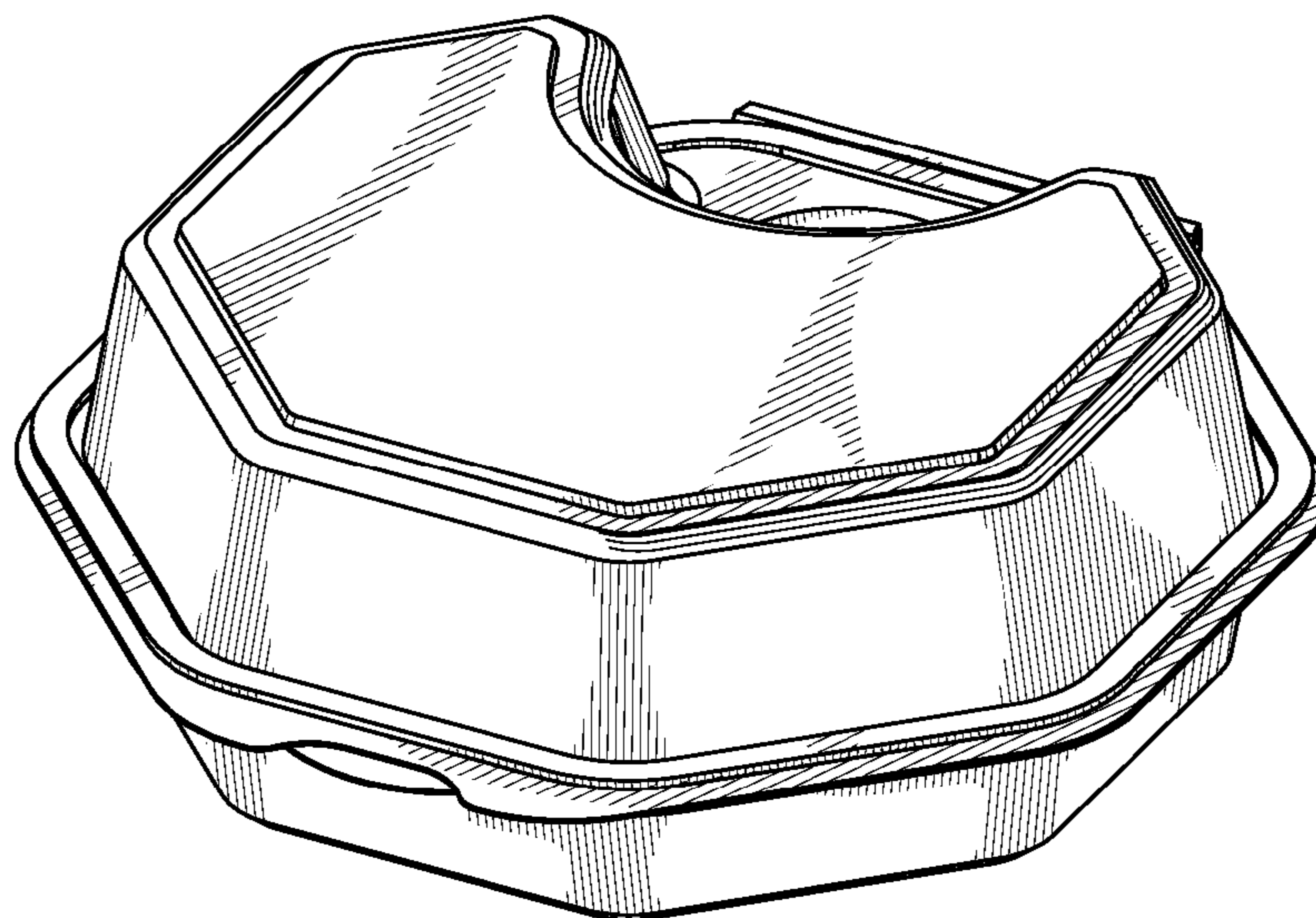


Fig. 3

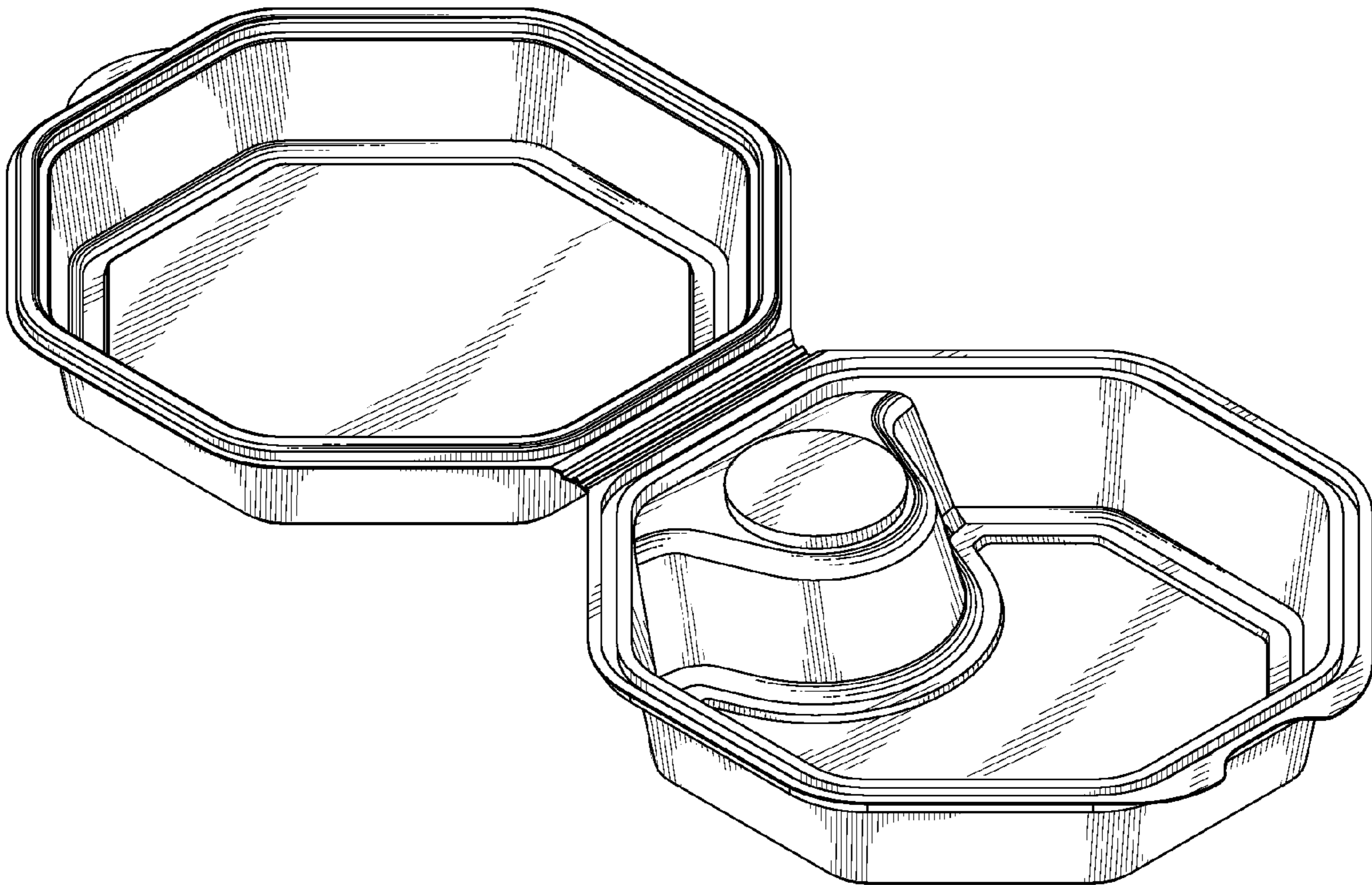


Fig. 4

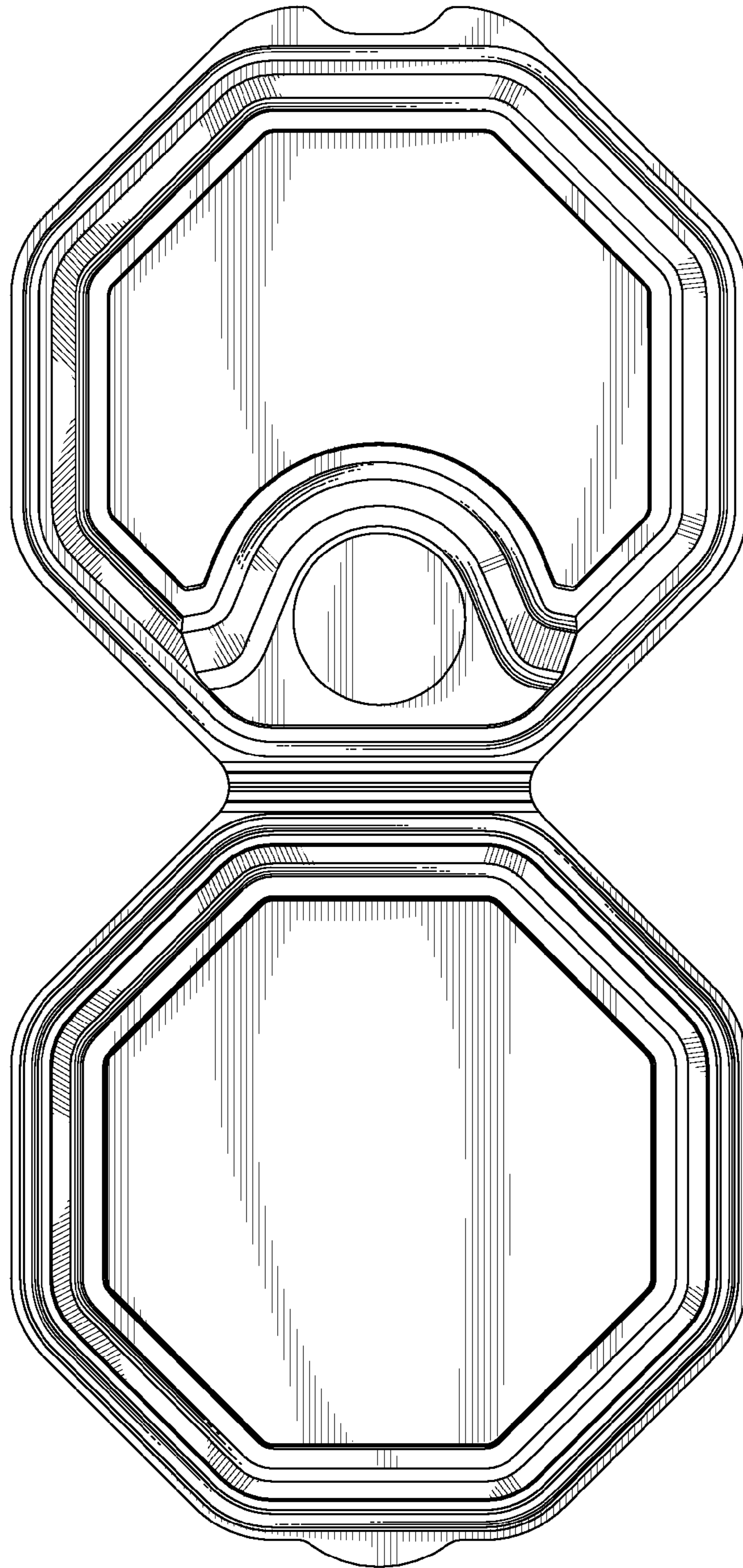


Fig. 5

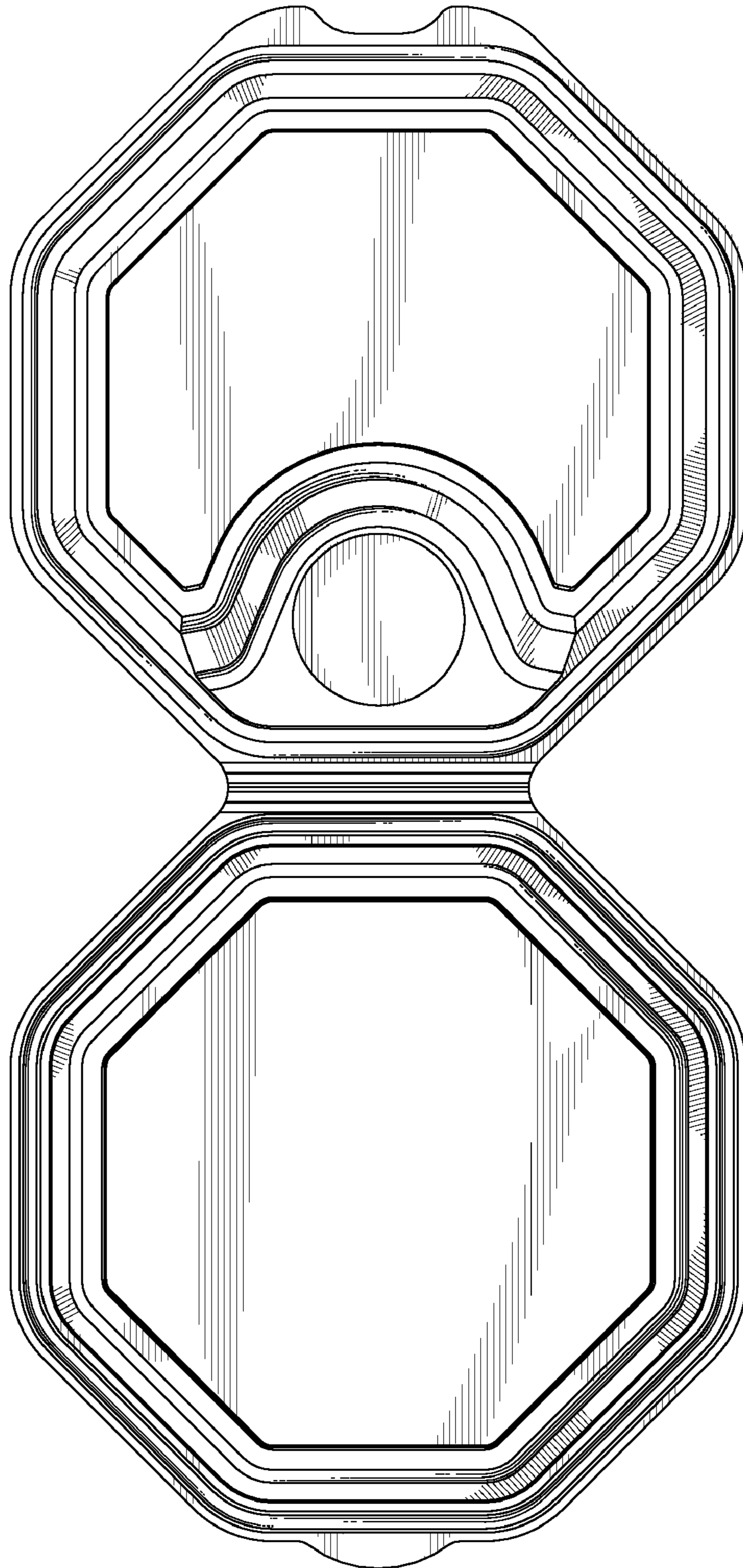


Fig. 6

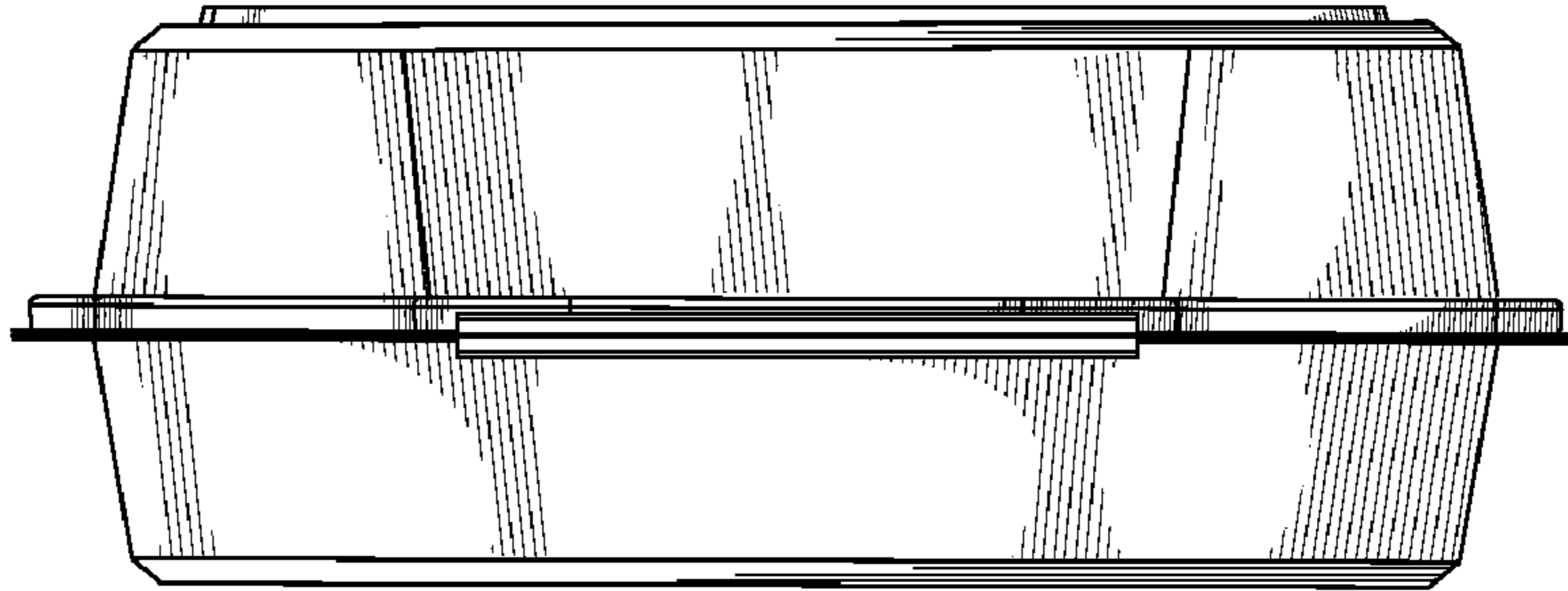


Fig. 7

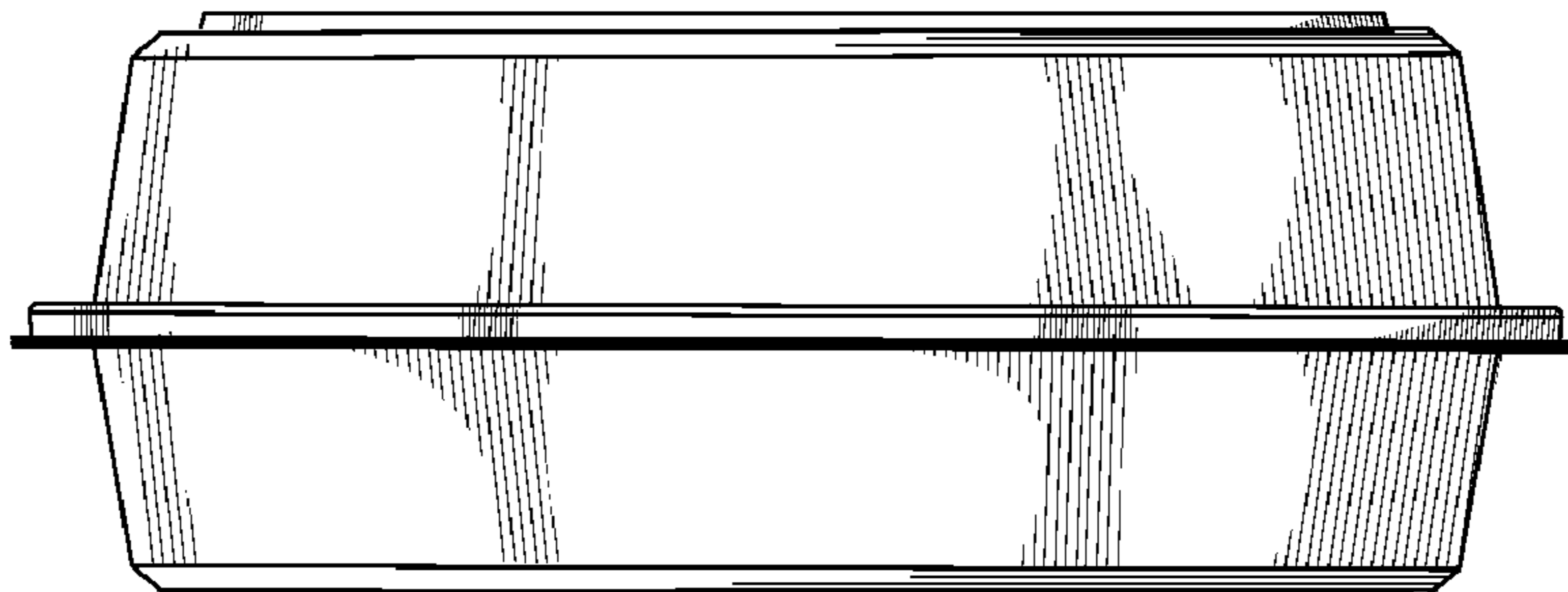


Fig. 8

