



US00D577994S

(12) **United States Design Patent**  
**Kessell et al.**

(10) **Patent No.:** **US D577,994 S**  
(45) **Date of Patent:** **\*\* Oct. 7, 2008**

(54) **COLLAPSIBLE CONTAINER**

(75) Inventors: **Michael Ross Kessell**, Auckland (NZ);  
**Charles Graeme Murray**, Auckland (NZ)

(73) Assignee: **Tarvis Technology Limited**, Auckland (NZ)

(\*\*) Term: **14 Years**

(21) Appl. No.: **29/232,695**

(22) Filed: **Jun. 23, 2005**

(30) **Foreign Application Priority Data**

Dec. 23, 2004 (NZ) ..... 405693

(51) **LOC (8) Cl.** ..... **09-03**

(52) **U.S. Cl.** ..... **D9/425**

(58) **Field of Classification Search** ..... D9/414-432,  
D9/748-762, 449, 456; D7/601-602, 629;  
206/484-484.2, 518, 557, 459.1, 524.3; 220/287,  
220/556, 241-242, 780-781, 350; D3/312  
See application file for complete search history.

(56) **References Cited**

**U.S. PATENT DOCUMENTS**

96,782 A 11/1869 Davidson

(Continued)

**FOREIGN PATENT DOCUMENTS**

EP 0880455 4/2001

(Continued)

*Primary Examiner*—Robert M. Spear  
*Assistant Examiner*—Susan E Krakower

(74) *Attorney, Agent, or Firm*—Jacobson Holman PLLC

(57) **CLAIM**

The ornamental design for a collapsible container, as shown and described.

**DESCRIPTION**

FIG. 1 is a side perspective view of a first embodiment of a collapsible container;

FIG. 2 is a perspective view of the first embodiment of the collapsible container;

FIG. 3 is a top plan view of the first embodiment of the collapsible container;

FIG. 4 is a bottom plan view of the first embodiment of the collapsible container;

FIG. 5 is a side perspective view of a second embodiment of the collapsible container;

FIG. 6 is a top plan view of the second embodiment of the collapsible container;

FIG. 7 is a bottom view of the second embodiment of the collapsible container;

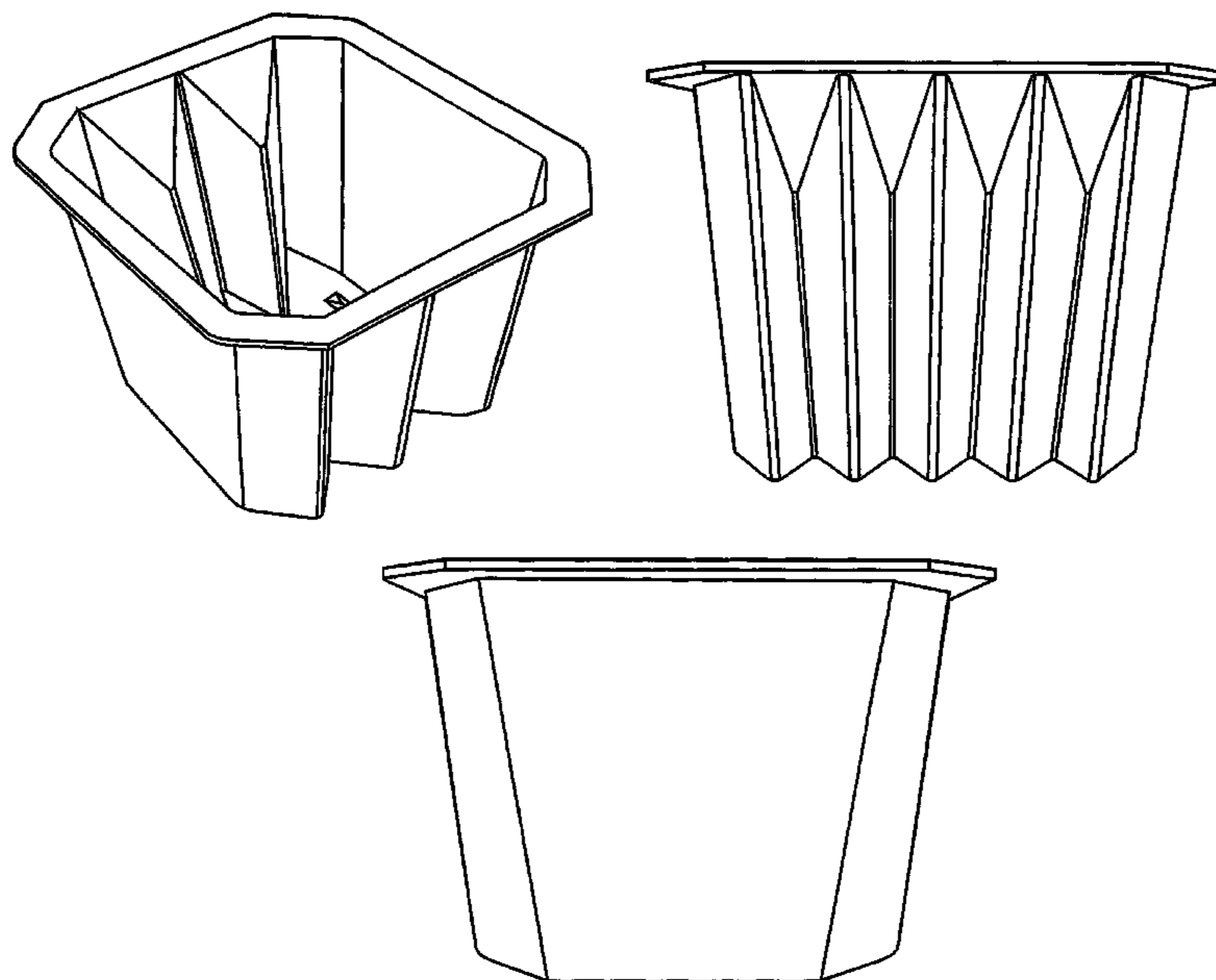
FIG. 8 is a side perspective of a third embodiment of the collapsible container;

FIG. 9 is a top plan view of the third embodiment of the collapsible container;

FIG. 10 is a bottom plan view of the third embodiment of the collapsible container; and,

FIG. 11 is a front view of the above three embodiments of the collapsible container.

**1 Claim, 11 Drawing Sheets**



# US D577,994 S

Page 2

## U.S. PATENT DOCUMENTS

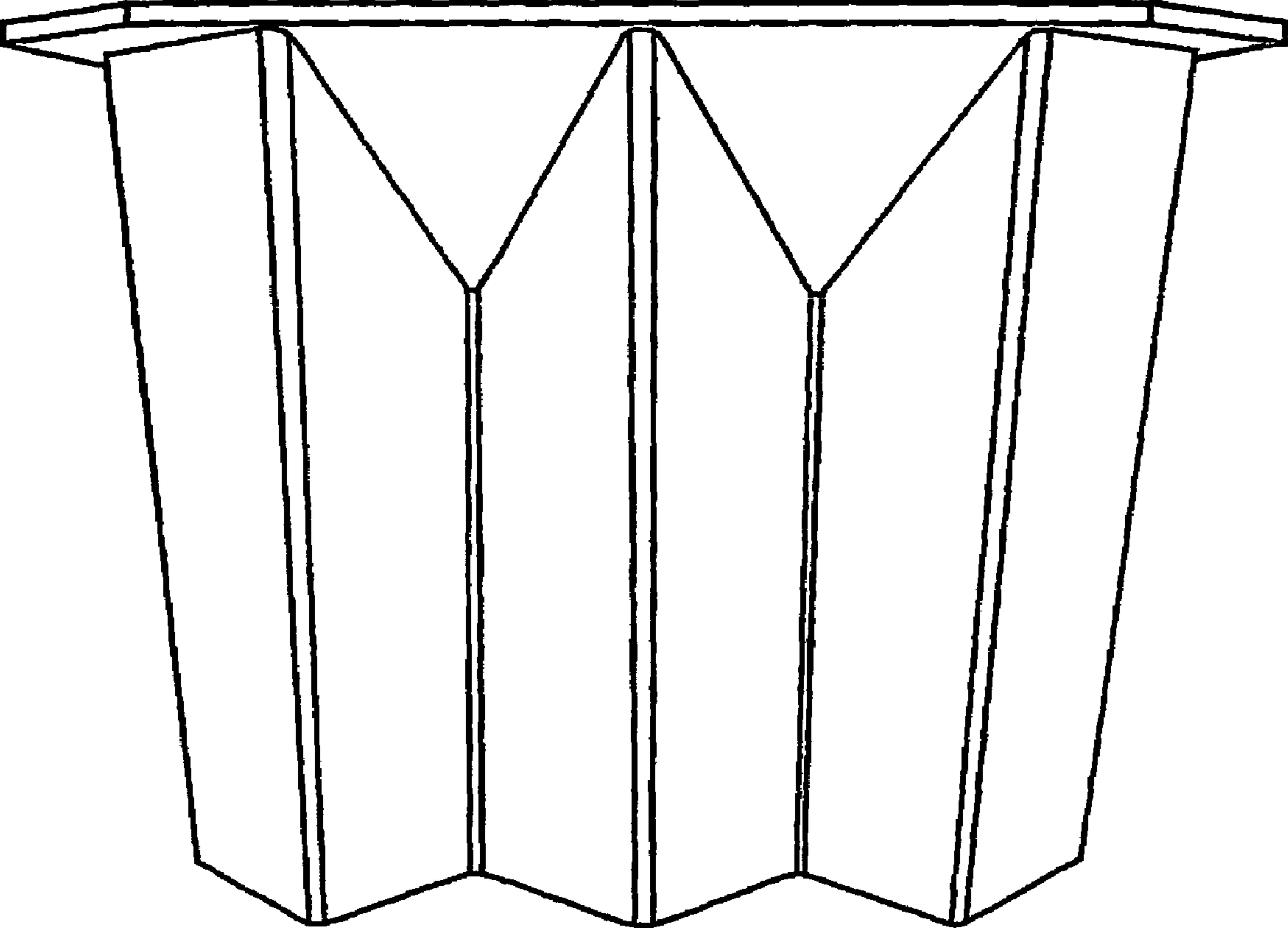
196,392	A	10/1877	Smith	
197,584	A	11/1877	Angamar	
219,959	A	9/1879	Leibold	
227,083	A	4/1880	White	
251,586	A	12/1881	Hendricks	
253,168	A	1/1882	Miller	
275,886	A	4/1883	Cochran	
276,025	A	4/1883	Goettel et al.	
280,489	A	7/1883	Lindemann	
283,789	A	7/1883	Kelly	
288,295	A	11/1883	Barth	
326,412	A	9/1885	Eddington	
341,461	A	5/1886	Dicus	
342,896	A	6/1886	Brown	
346,741	A	8/1886	Elliott	
352,454	A	11/1886	Dungan	
353,997	A	12/1886	Weimer	
361,511	A	4/1887	Harford	
370,345	A	9/1887	Luyster	
378,734	A	2/1888	Smith	
380,381	A	4/1888	Berry	
385,784	A	7/1888	Wilkins	
392,881	A	11/1888	Prefontaine	
409,485	A	8/1889	McDonald	
443,509	A	12/1890	English	
504,325	A	9/1893	Case	
513,383	A	1/1894	English et al.	
1,738,779	A	12/1929	Lockwood	
2,725,087	A *	11/1955	Potter	206/598
3,078,986	A	2/1963	Ushkow	
D197,584	S *	2/1964	Nascher et al.	D9/425
3,180,555	A *	4/1965	Barrett	229/101
3,357,625	A *	12/1967	Malmgren	229/407
3,483,908	A	12/1969	Donovan	
D227,083	S *	6/1973	Anderson et al.	D9/416
3,826,409	A	7/1974	Chilcoate	222/107

D233,628	S *	11/1974	Dunning	D14/435
3,939,887	A	2/1976	Scarnato	150/0.5
D246,561	S *	12/1977	Stahel	D7/629
4,394,906	A	7/1983	Hollenbeck	206/525
4,442,969	A	4/1984	Holden	229/2.5
D275,886	S *	10/1984	Sheward et al.	D24/227
D276,025	S *	10/1984	Hexamer	D9/425
D288,295	S *	2/1987	Holden	D9/425
4,773,458	A	9/1988	Touzani	150/55
4,792,086	A	12/1988	Chen	229/117
D341,461	S *	11/1993	Davidson et al.	D3/312
D352,454	S *	11/1994	Krupa	D9/425
5,460,324	A	10/1995	Vinther	
D392,881	S *	3/1998	Bulcher et al.	D9/425
5,975,411	A *	11/1999	Windolph, III	229/101
D443,359	S *	6/2001	Nantel	D9/425
D446,719	S *	8/2001	Garraway	D9/425
6,315,151	B1 *	11/2001	Hupp et al.	220/666
D485,755	S *	1/2004	Isler et al.	D9/425
D513,383	S *	1/2006	Glander et al.	D9/435

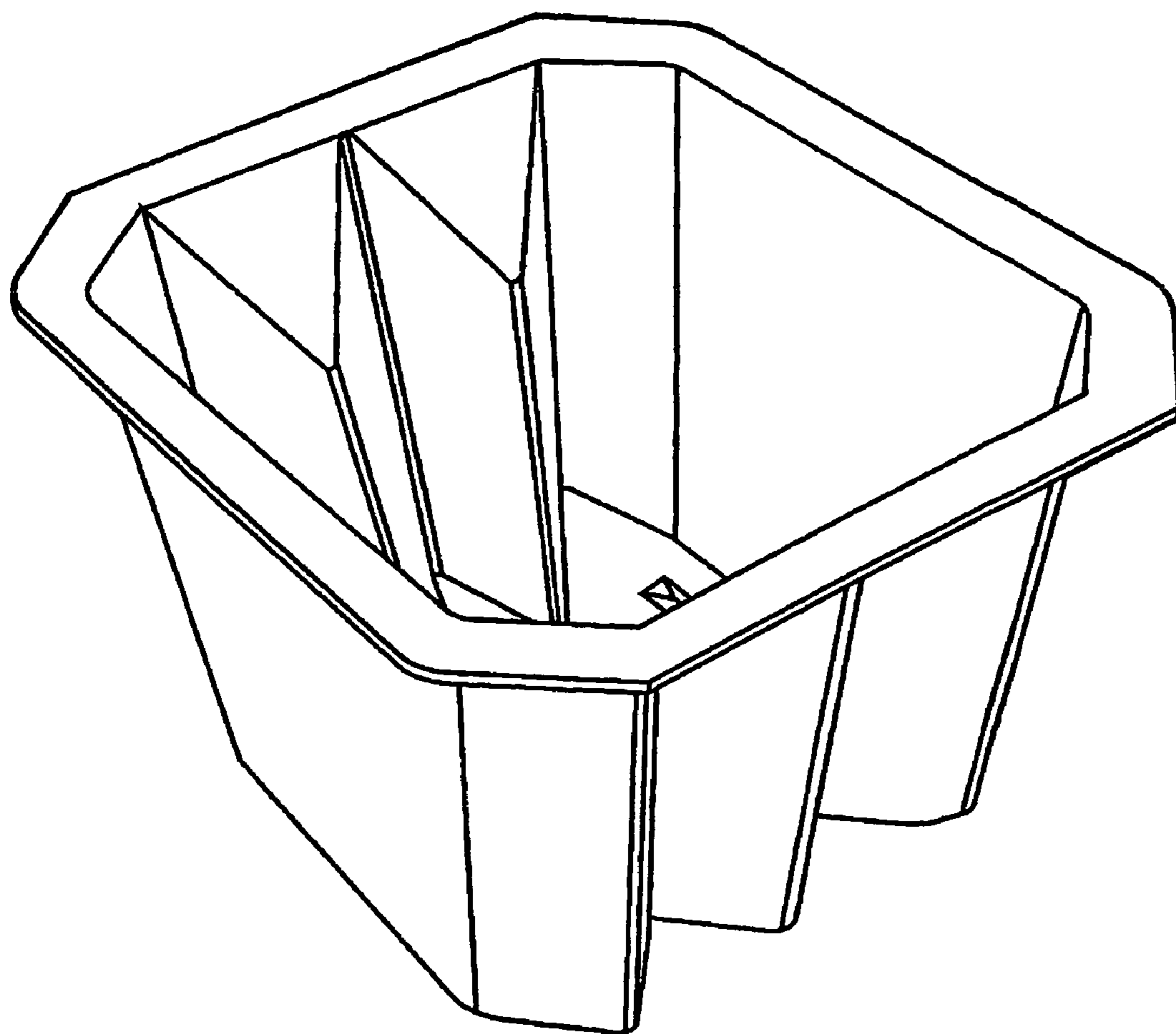
## FOREIGN PATENT DOCUMENTS

EP	1323638	7/2003
EP	1502867	2/2005
GB	798338	7/1958
JP	20159233	6/2000
JP	20296827	10/2000
JP	21114284	4/2001
WO	9012741	11/1990
WO	9316926	9/1993
WO	9627527	9/1996
WO	9836978	8/1998
WO	0003923	1/2000
WO	2006117178	11/2006
ZA	893383	1/1990

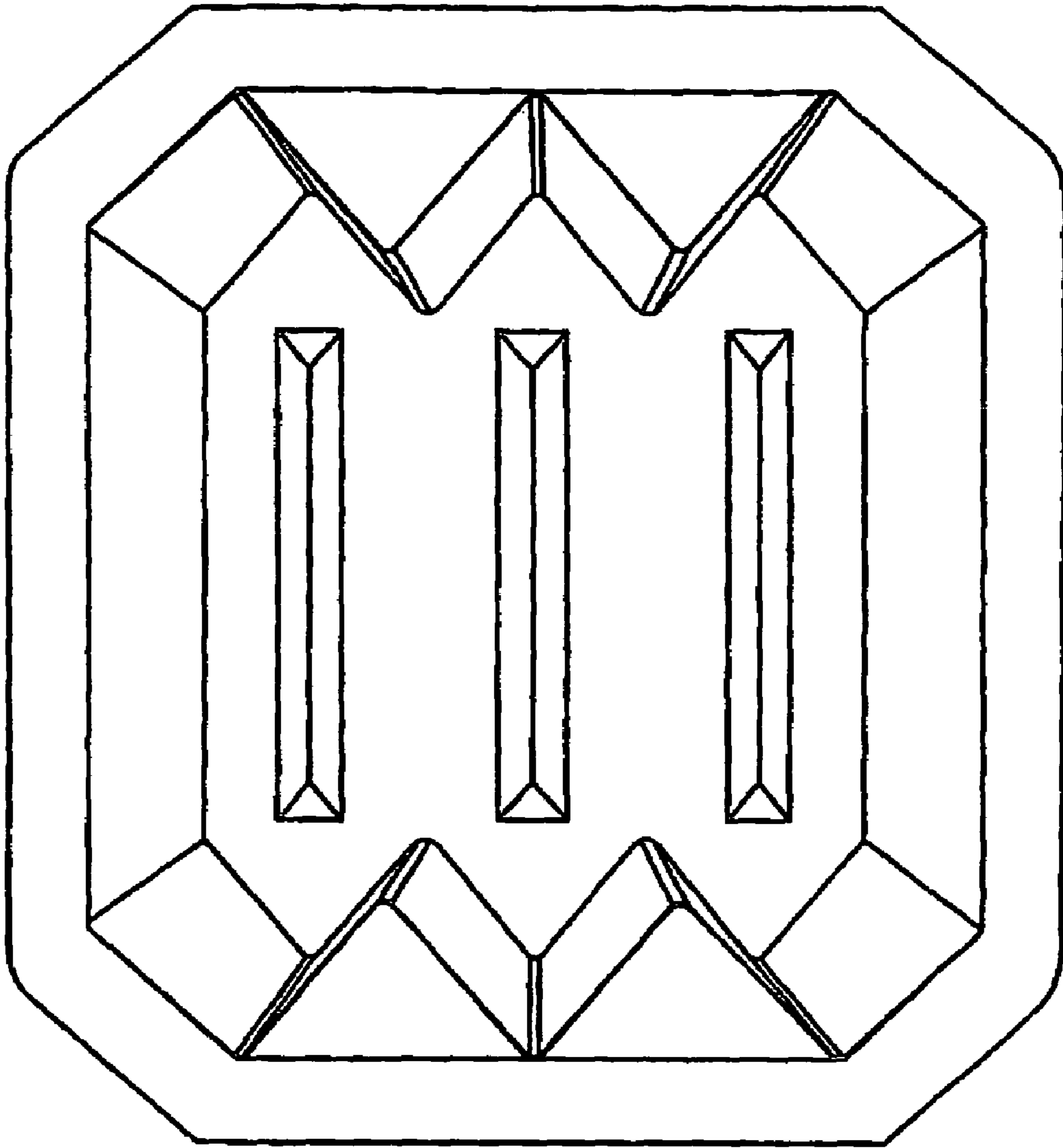
\* cited by examiner



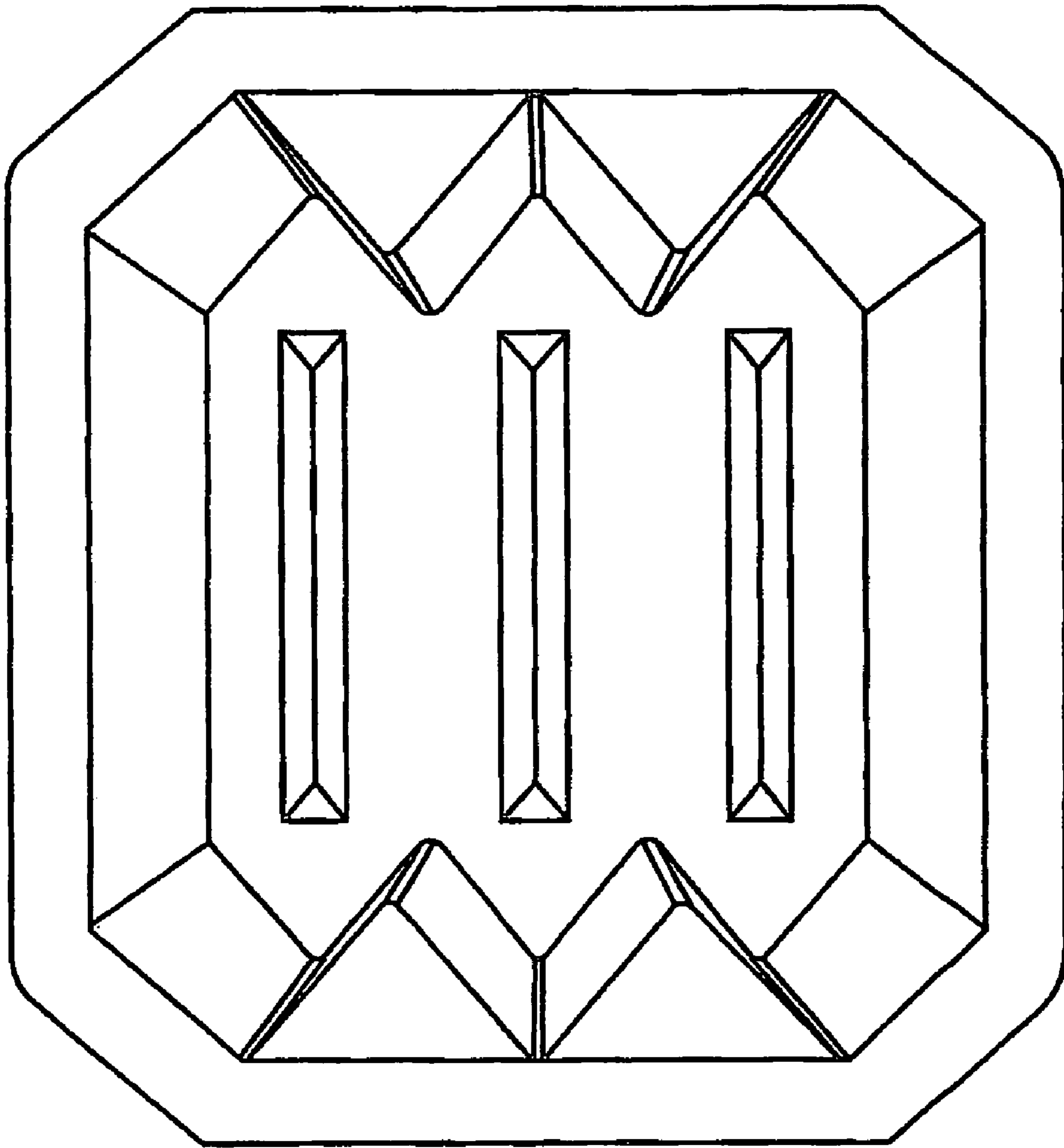
**FIGURE 1**



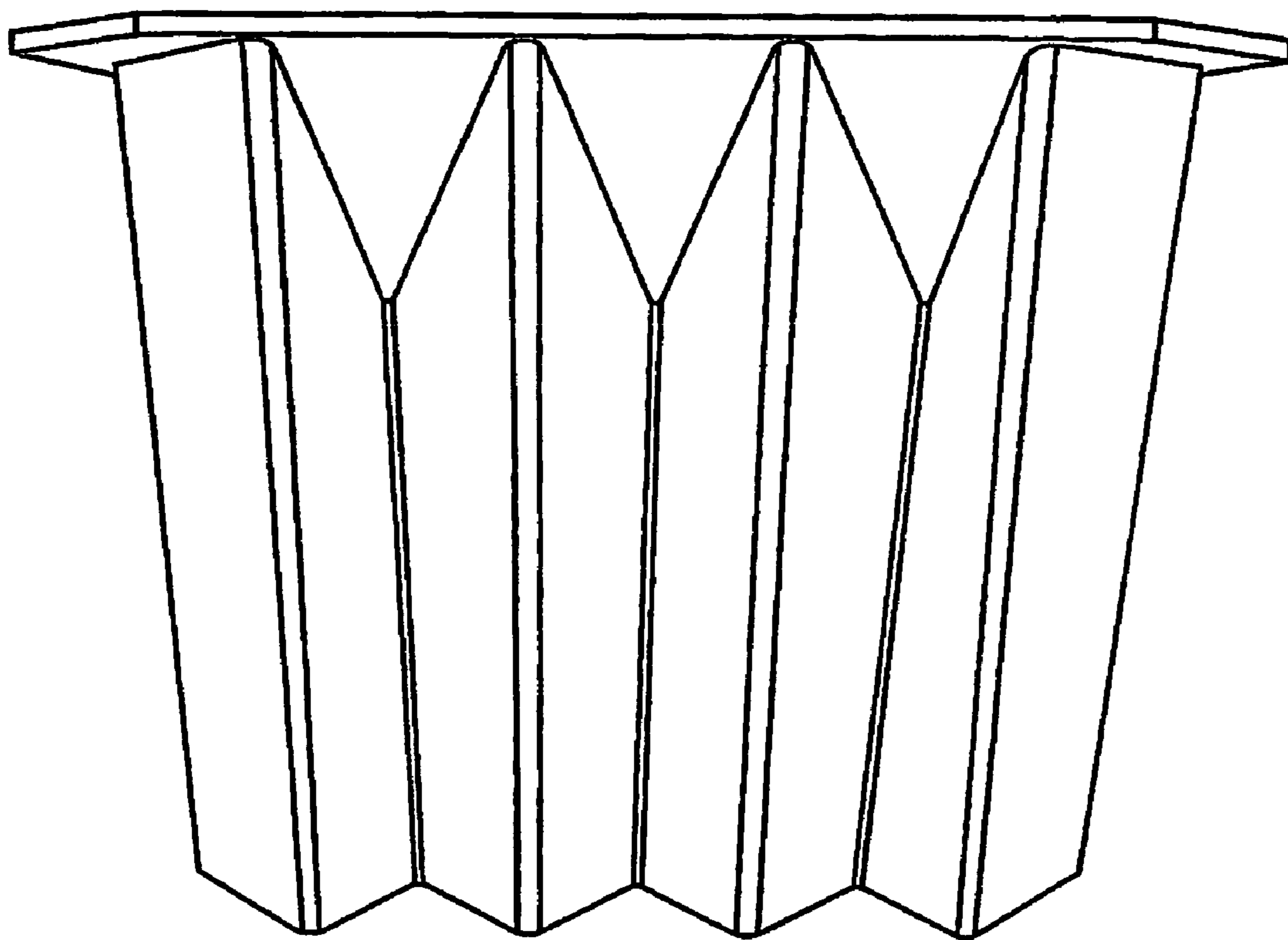
**FIGURE 2**



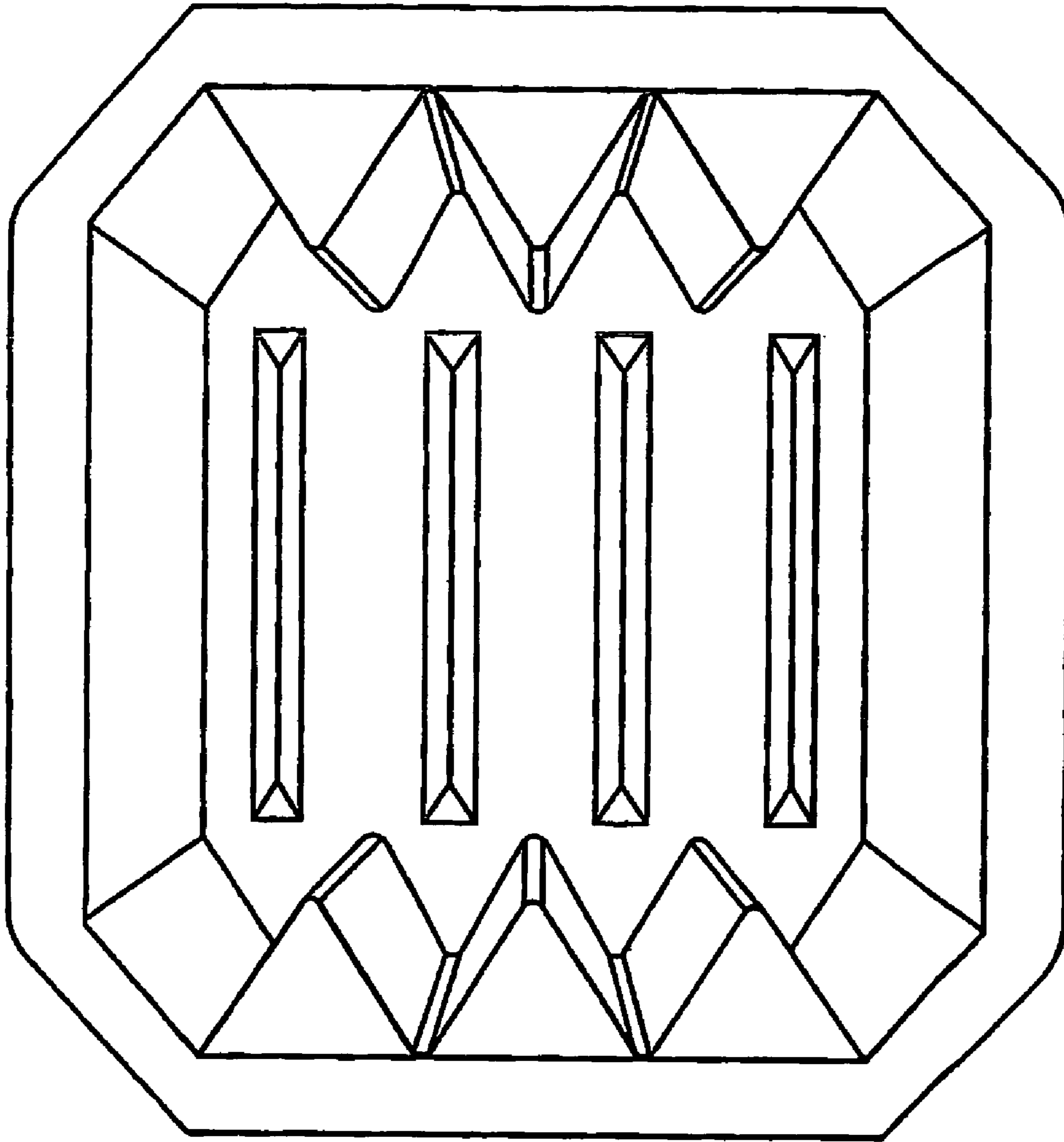
**FIGURE 3**



**FIGURE 4**

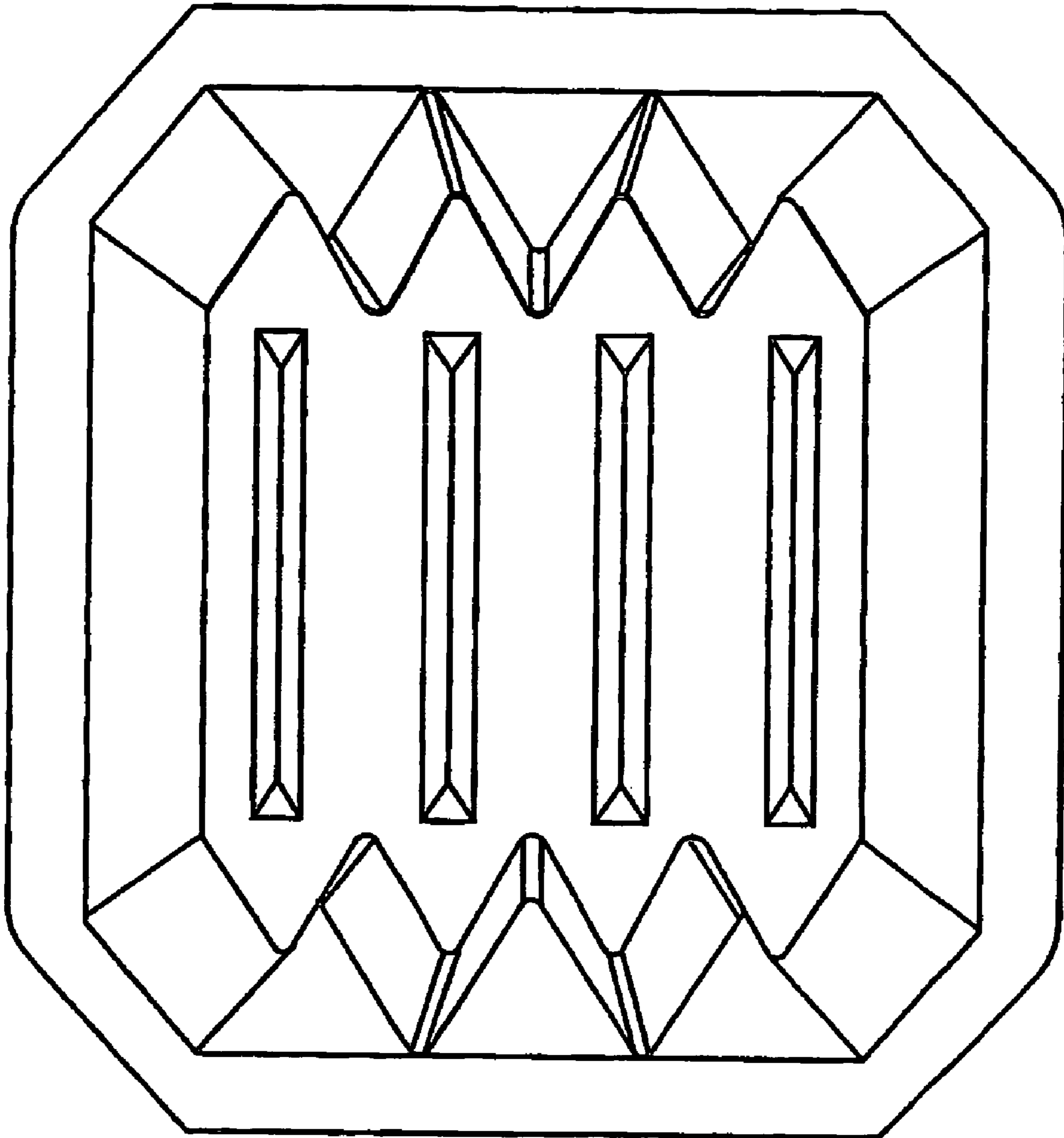


**FIGURE 5**

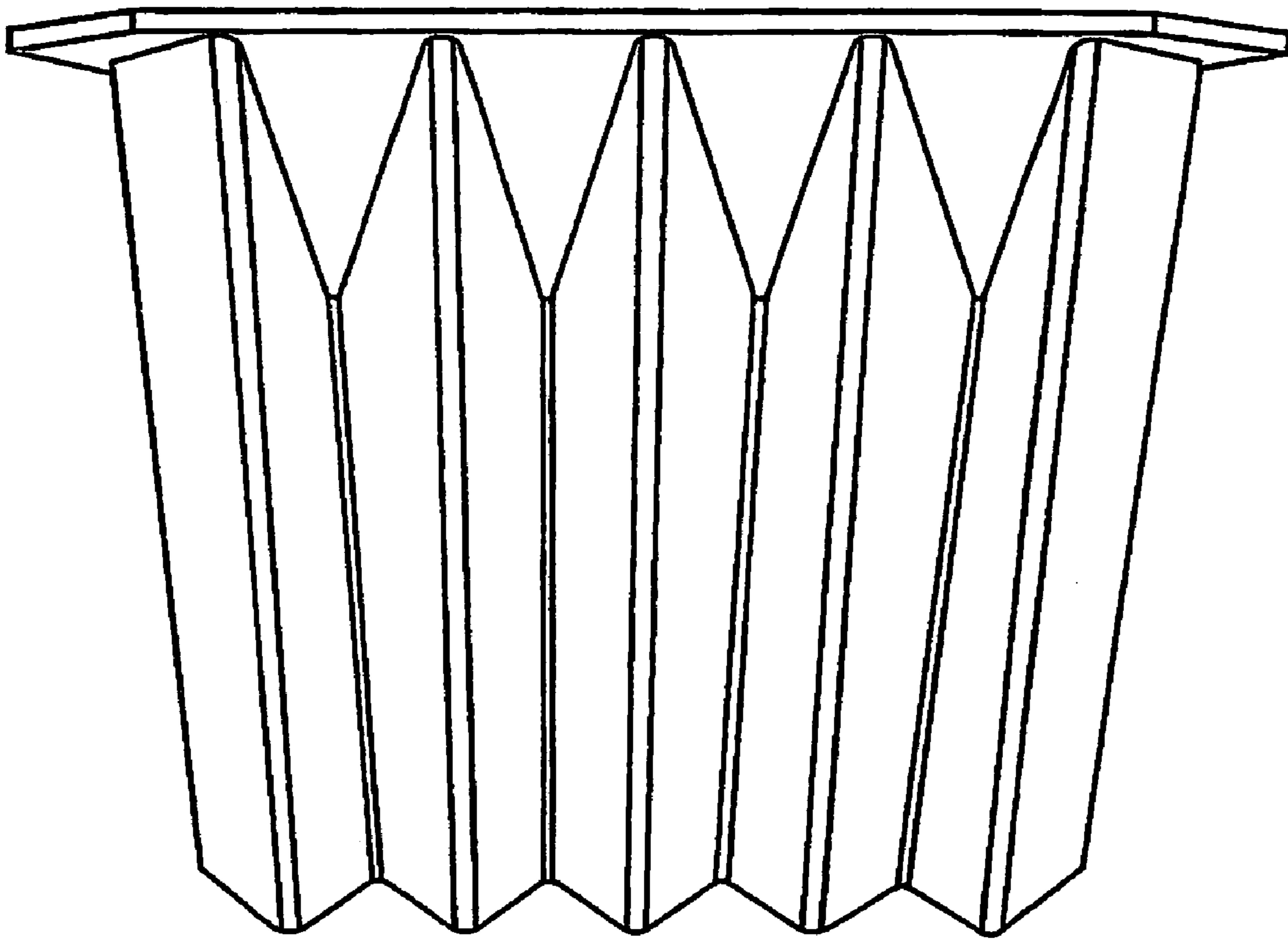


**FIGURE 6**

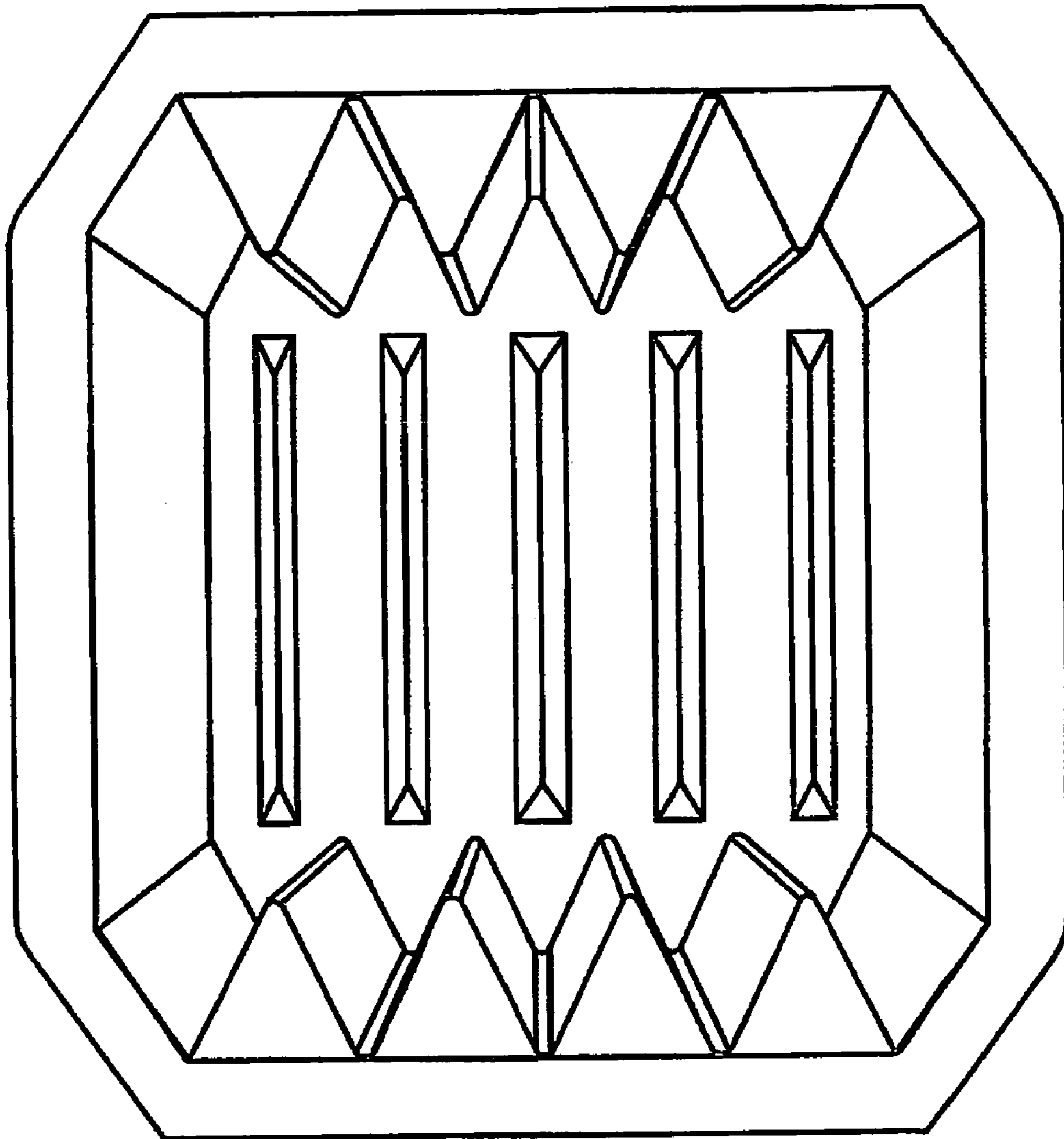




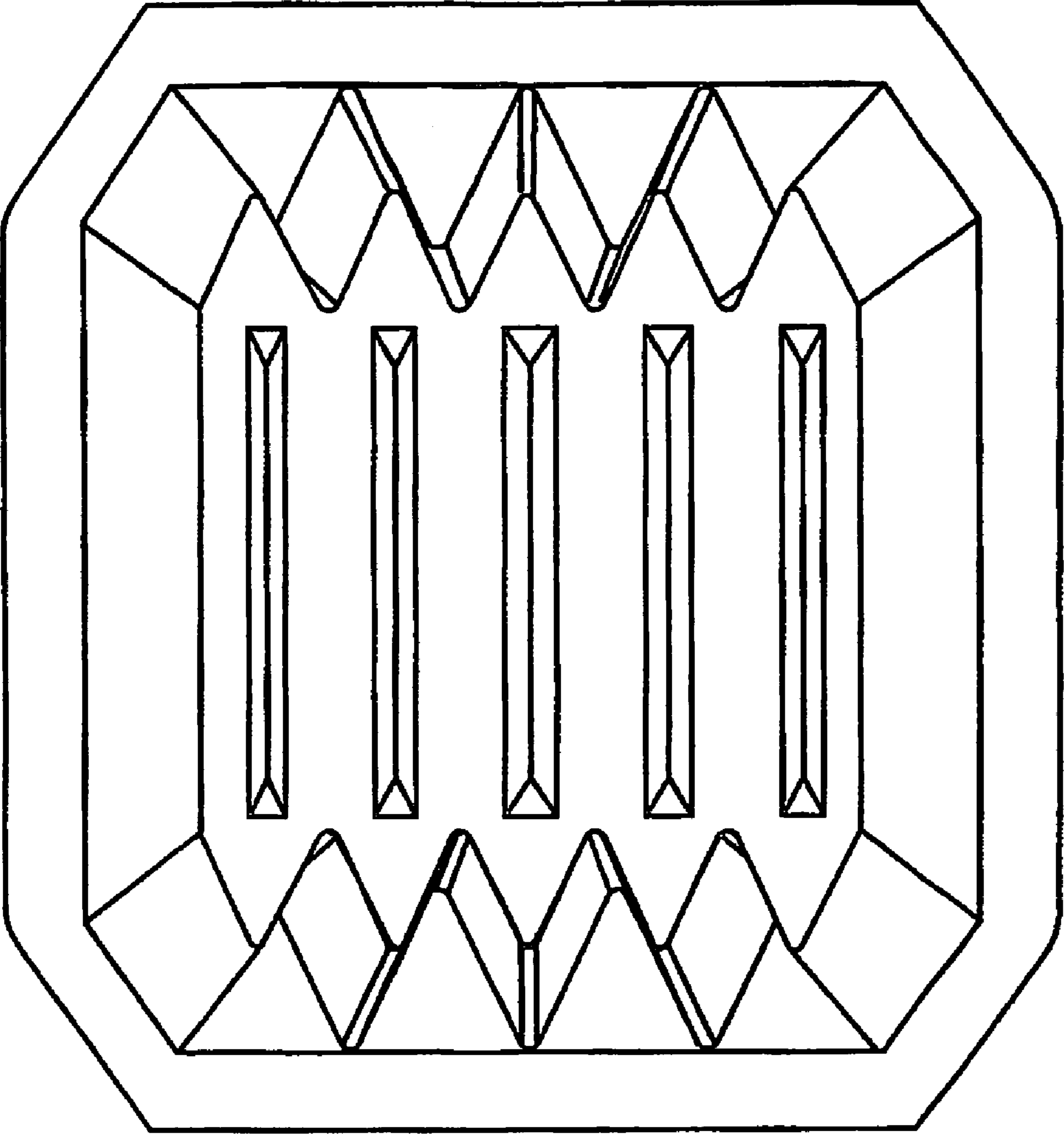
**FIGURE 7**



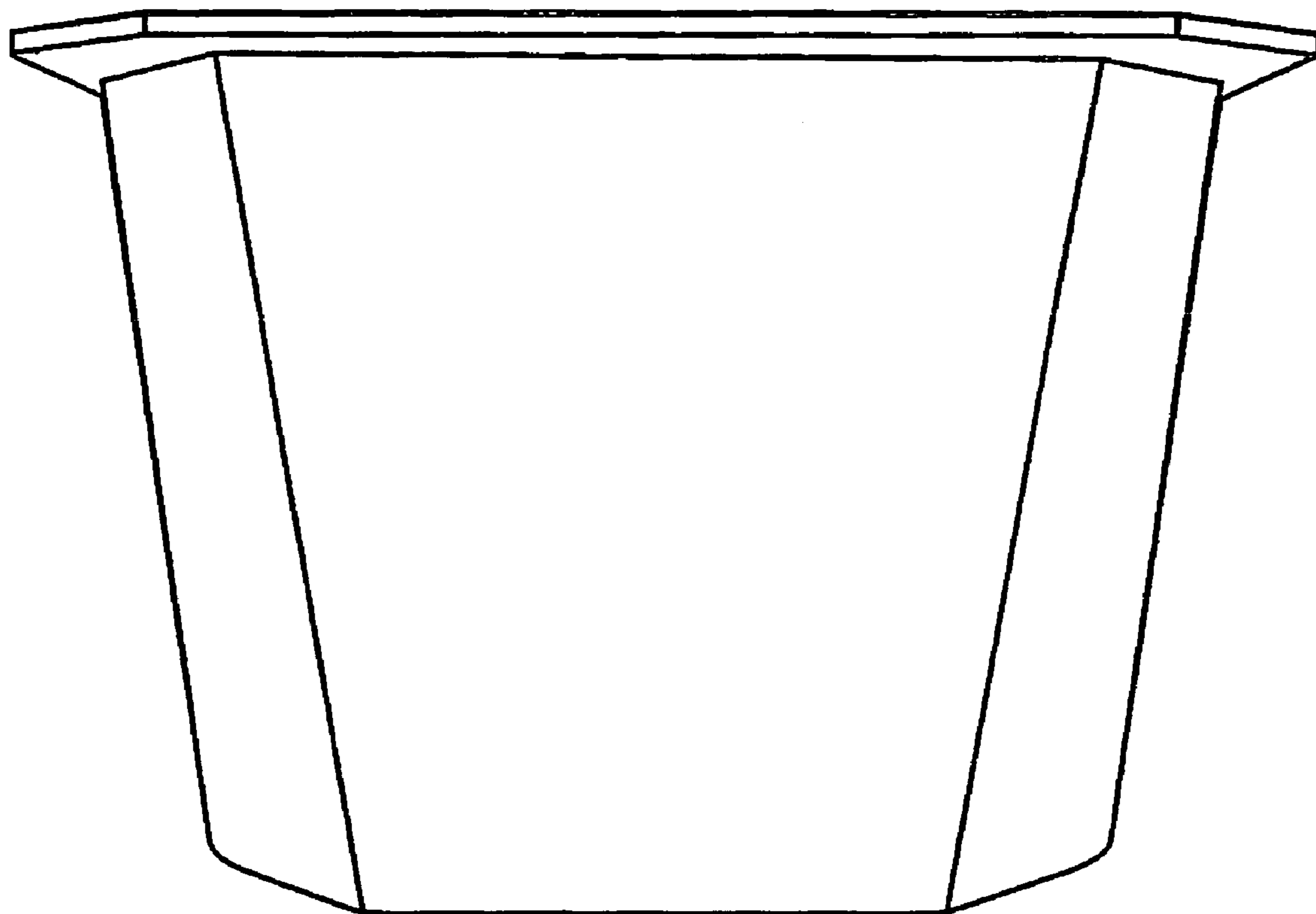
**FIGURE 8**



**FIGURE 9**



**FIGURE 10**



**FIGURE 11**