



US00D577992S

(12) **United States Design Patent**
Sutker et al.

(10) **Patent No.:** **US D577,992 S**
(45) **Date of Patent:** **** Oct. 7, 2008**

(54) **BATTERY PACKAGE**

(75) Inventors: **Martin T. Sutker**, Cooper City, FL (US); **Thomas D. Lane**, Boca Raton, FL (US); **Daniel W. Forbes**, Jupiter, FL (US)

(73) Assignee: **Atico International, USA**, Fort Lauderdale, FL (US)

(**) Term: **14 Years**

(21) Appl. No.: **29/273,364**

(22) Filed: **Mar. 2, 2007**

(51) **LOC (8) Cl.** **09-03**

(52) **U.S. Cl.** **D9/418; D9/425**

(58) **Field of Classification Search** D9/414-416, D9/418, 420, 424-432, 433, 443, 527-530, D9/704, 730-734, 751-757; D7/354, 360, D7/505, 553.1, 540-545, 554, 565-567, 570, D7/574, 584-586, 590, 604, 629; D30/123, D30/129-133; 426/115, 122, 394; 206/162, 206/170, 216, 469, 471, 497, 508, 536, 557, 206/804, 815; 220/4.21-4.22, 266, 350, 220/470, 471, 495.01, 557, 574, 618, 793; 229/117.14, 117.18, 123.1, 125.35, 220, 229/406, 362.4; D3/203.1-203.3, 304, 314, D3/294, 323; 221/250, 260, 267, 281, 299, 221/807; 40/310, 665

See application file for complete search history.

(56) **References Cited**

U.S. PATENT DOCUMENTS

- D222,580 S * 11/1971 Nakakumo D9/415
- D222,581 S * 11/1971 Nakakumo D9/415
- 3,966,045 A * 6/1976 Perdue 206/443
- D295,833 S * 5/1988 Roth D9/722
- D302,661 S * 8/1989 Calcerano et al. D9/415
- D302,662 S * 8/1989 Calcerano et al. D9/415
- D306,404 S * 3/1990 Hill D9/415
- 5,029,705 A * 7/1991 Schmidt et al. 206/705
- D320,158 S * 9/1991 Contino D9/415
- 5,379,894 A * 1/1995 Haas et al. 206/705
- D394,207 S * 5/1998 Waterbury et al. D9/415
- D410,384 S * 6/1999 Gaffney et al. D9/415
- D427,523 S * 7/2000 Calcerano D9/415

D508,398 S * 8/2005 Lee et al. D9/415

* cited by examiner

Primary Examiner—Robert M. Spear

Assistant Examiner—Susan E Krakower

(74) *Attorney, Agent, or Firm*—Casimir Jones, S.C.

(57) **CLAIM**

The ornamental design for a battery package, as shown and described.

DESCRIPTION

FIG. 1 is a front elevational view showing a first embodiment of my new design;

FIG. 2 is a rear elevational view thereof;

FIG. 3 is a left side elevational view thereof;

FIG. 4 is a right side elevational view thereof;

FIG. 5 is a top plan view thereof;

FIG. 6 is a bottom plan view thereof;

FIG. 7 is a front perspective view thereof;

FIG. 8 is a rear perspective view thereof;

FIG. 9 is a left side perspective view thereof; and

FIG. 10 is a right side perspective view thereof.

FIG. 11 is a front elevational view showing a second embodiment of my new design;

FIG. 12 is a rear elevational view thereof;

FIG. 13 is a left side elevational view thereof;

FIG. 14 is a right side elevational view thereof;

FIG. 15 is a top plan view thereof;

FIG. 16 is a bottom plan view thereof;

FIG. 17 is a front perspective view thereof;

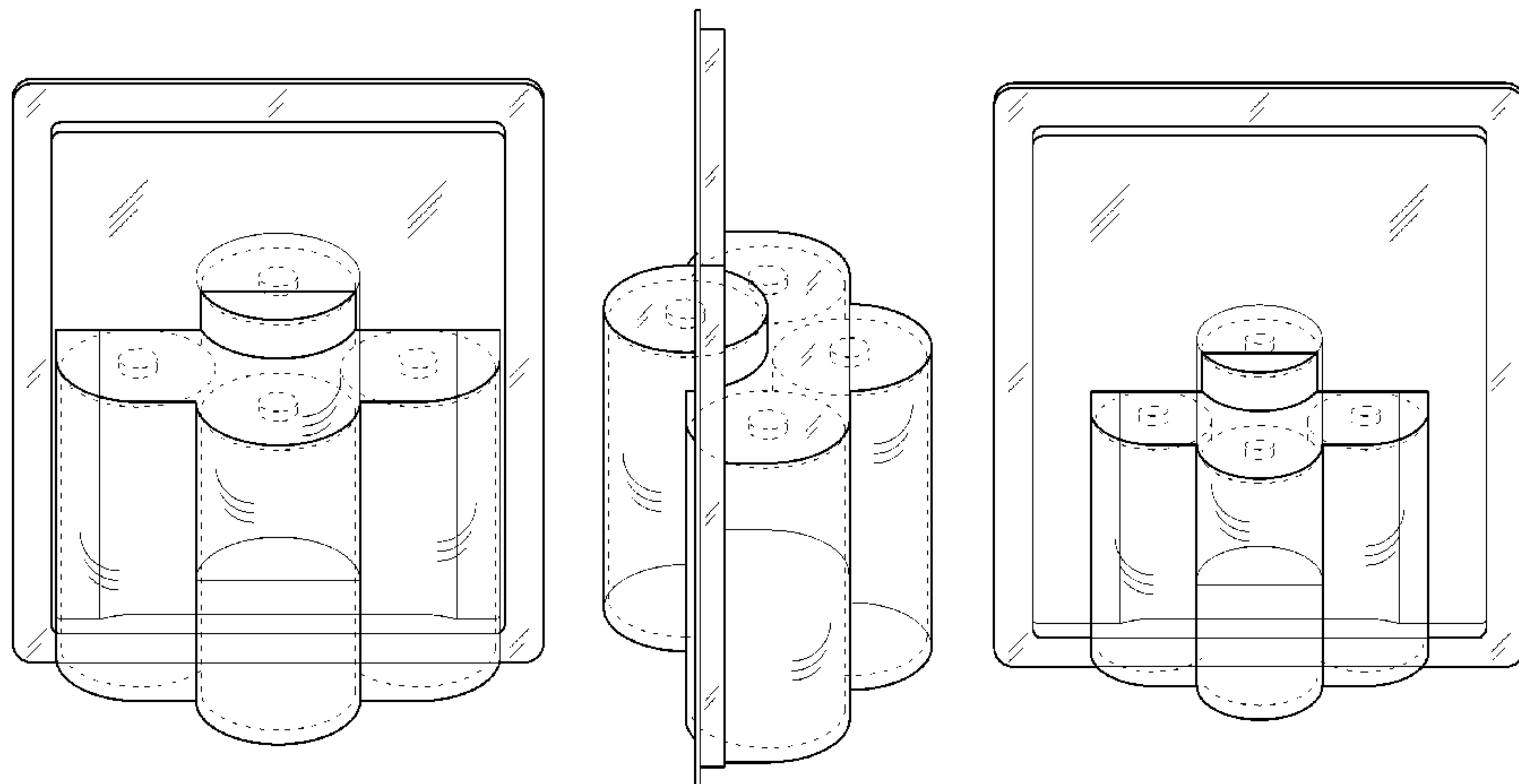
FIG. 18 is a rear perspective view thereof;

FIG. 19 is a left side perspective view thereof; and,

FIG. 20 is a right side perspective view thereof.

The broken lines in the drawings represent environmental structure and form no part of the claimed design.

1 Claim, 14 Drawing Sheets



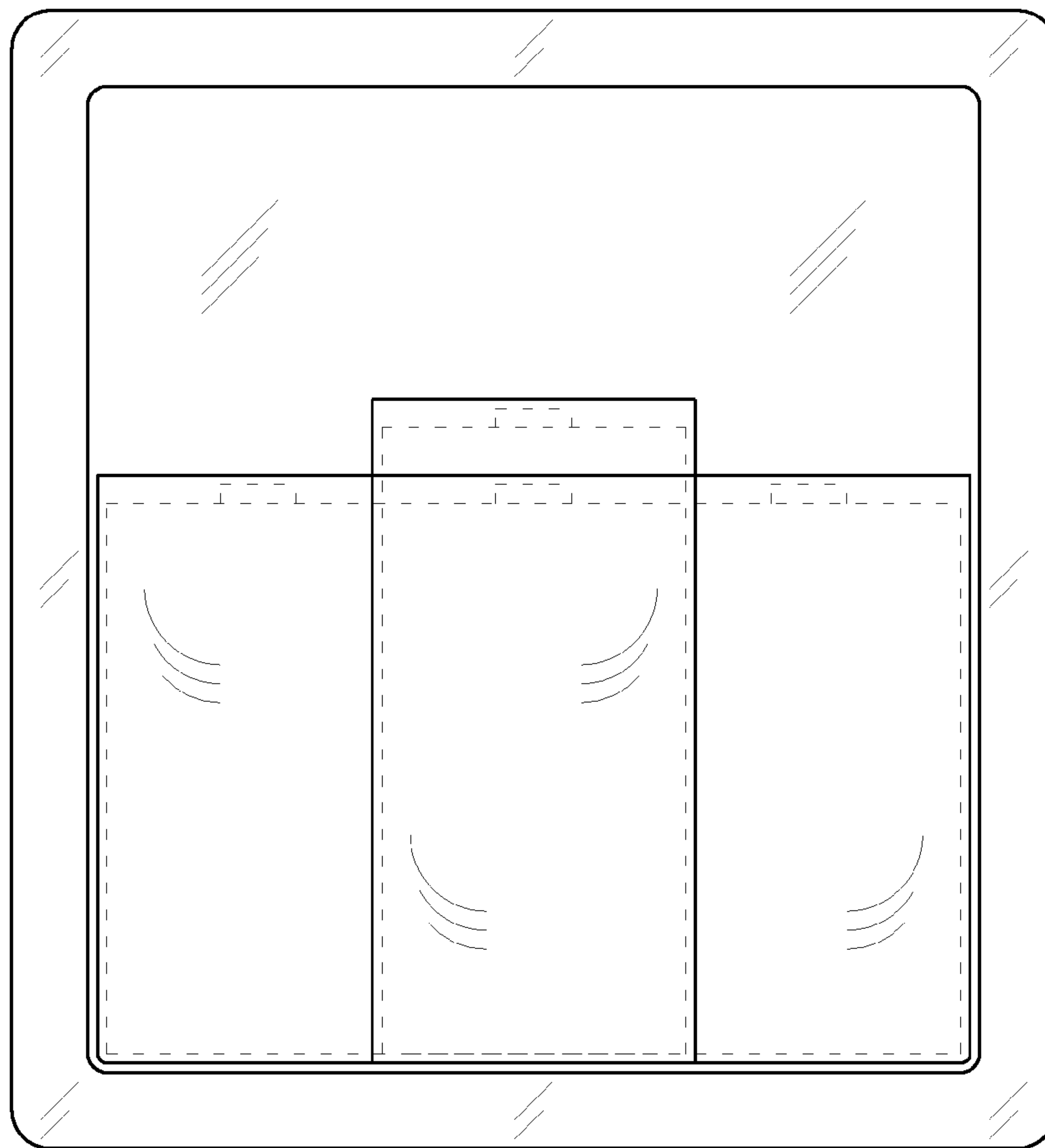


FIG. 1

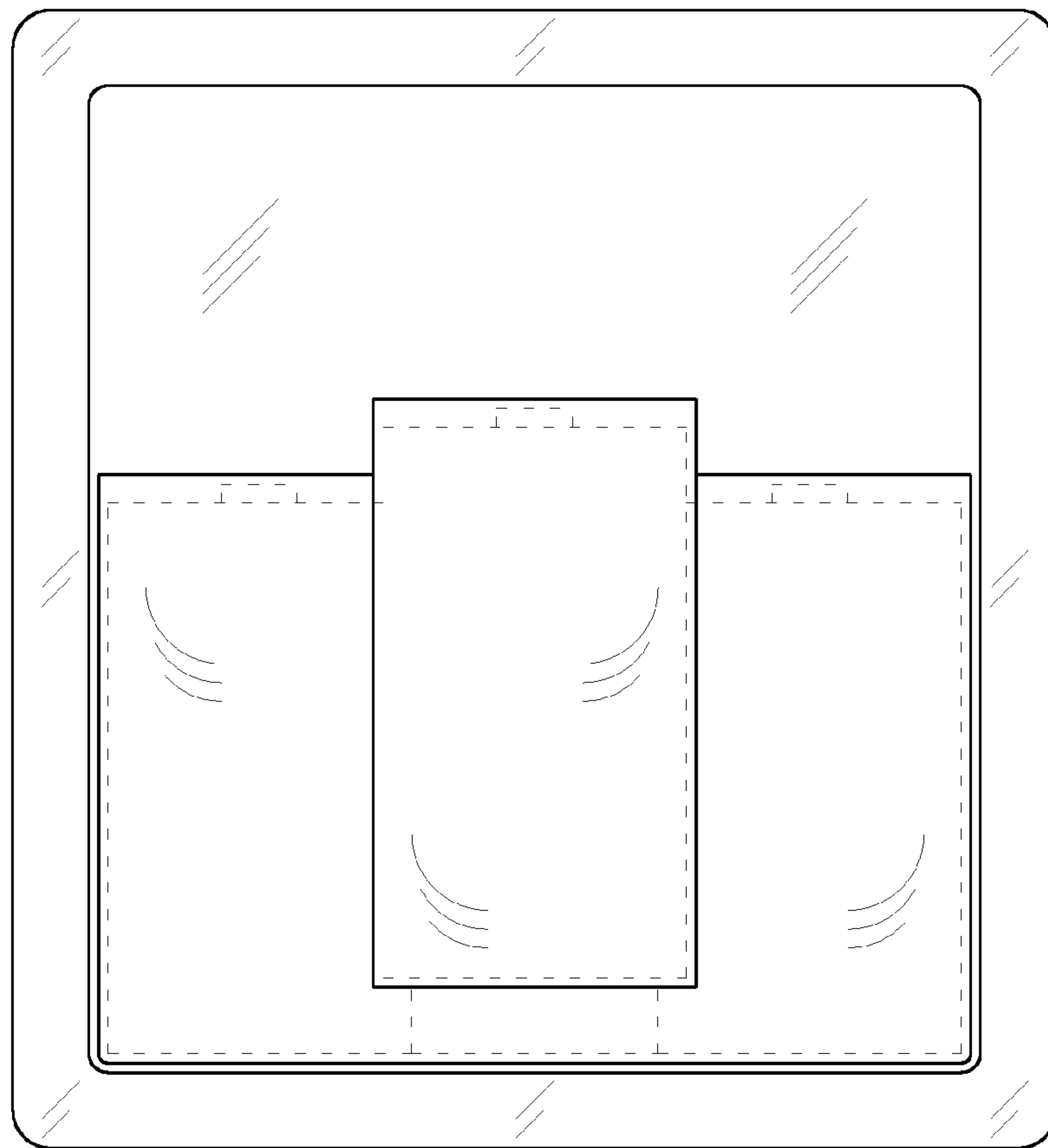


FIG. 2

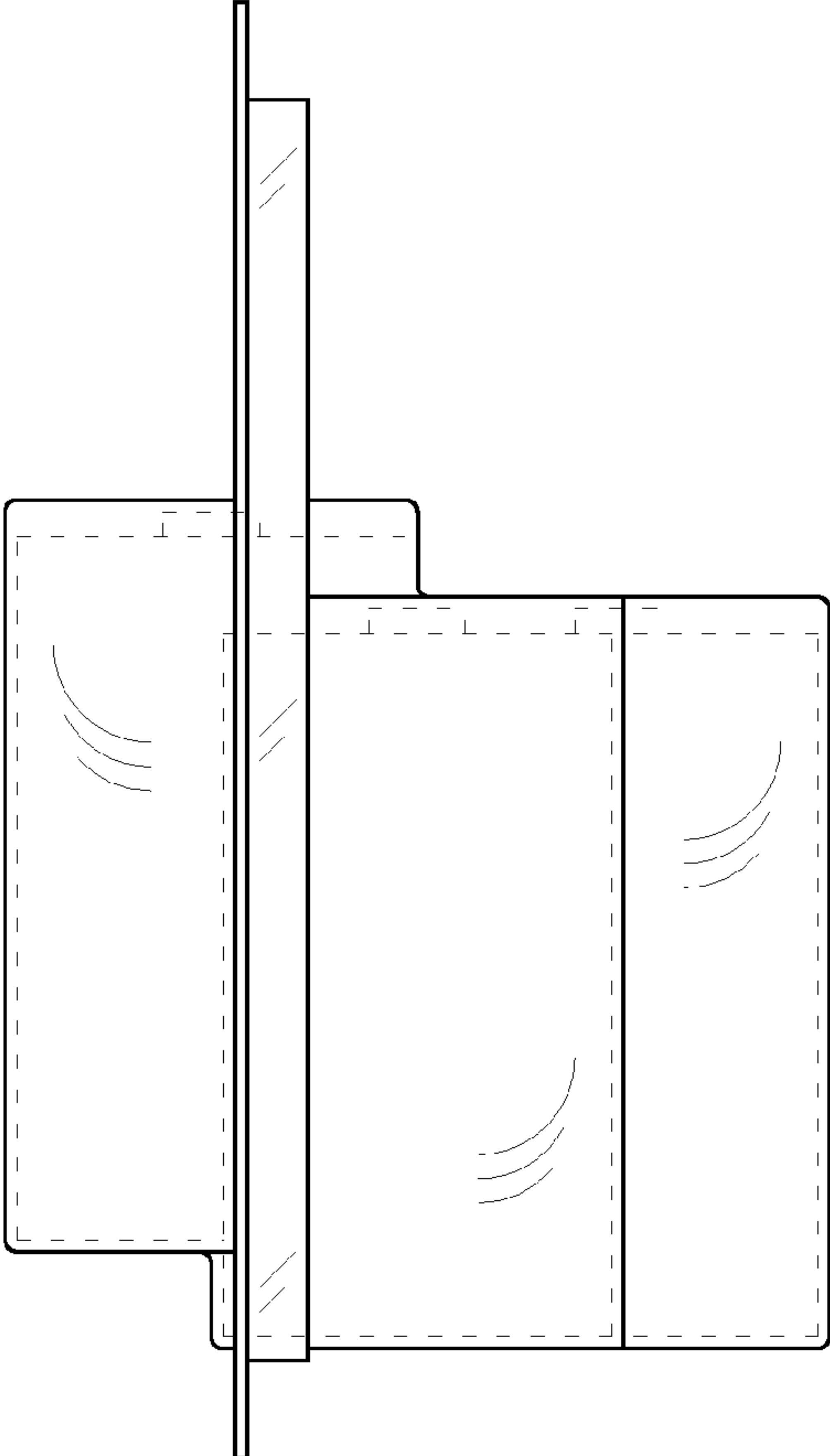


FIG. 3

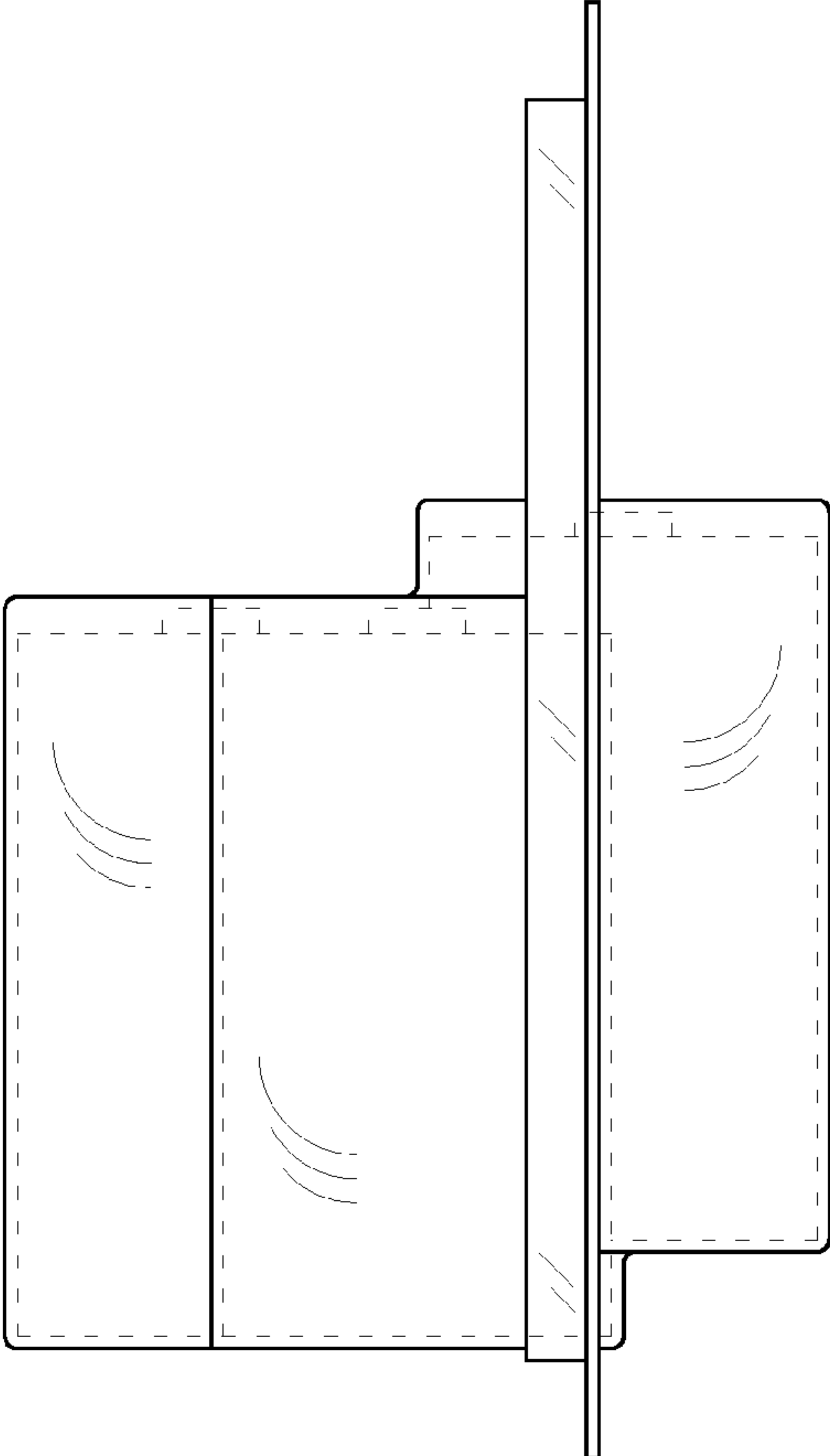


FIG. 4

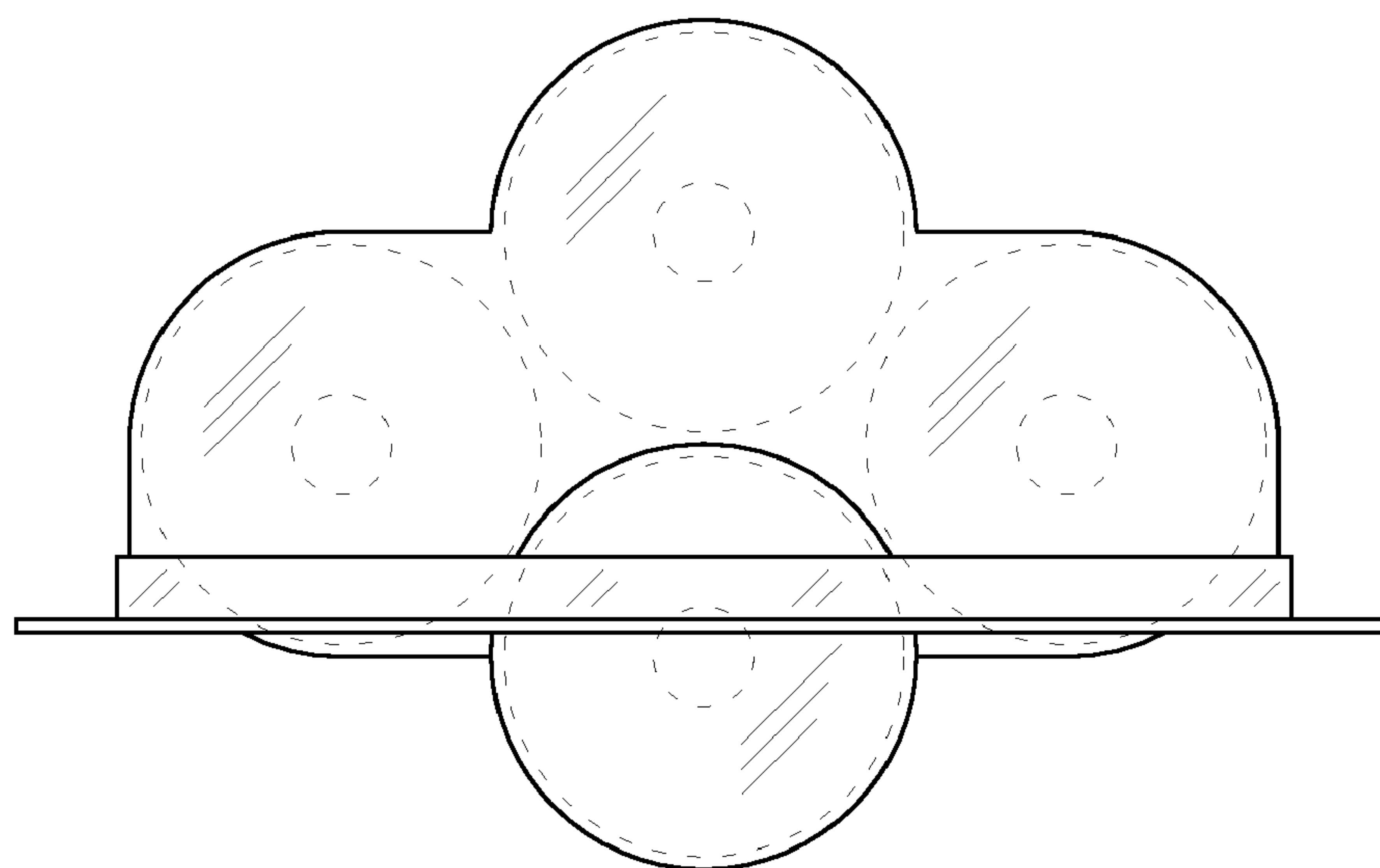


FIG. 5

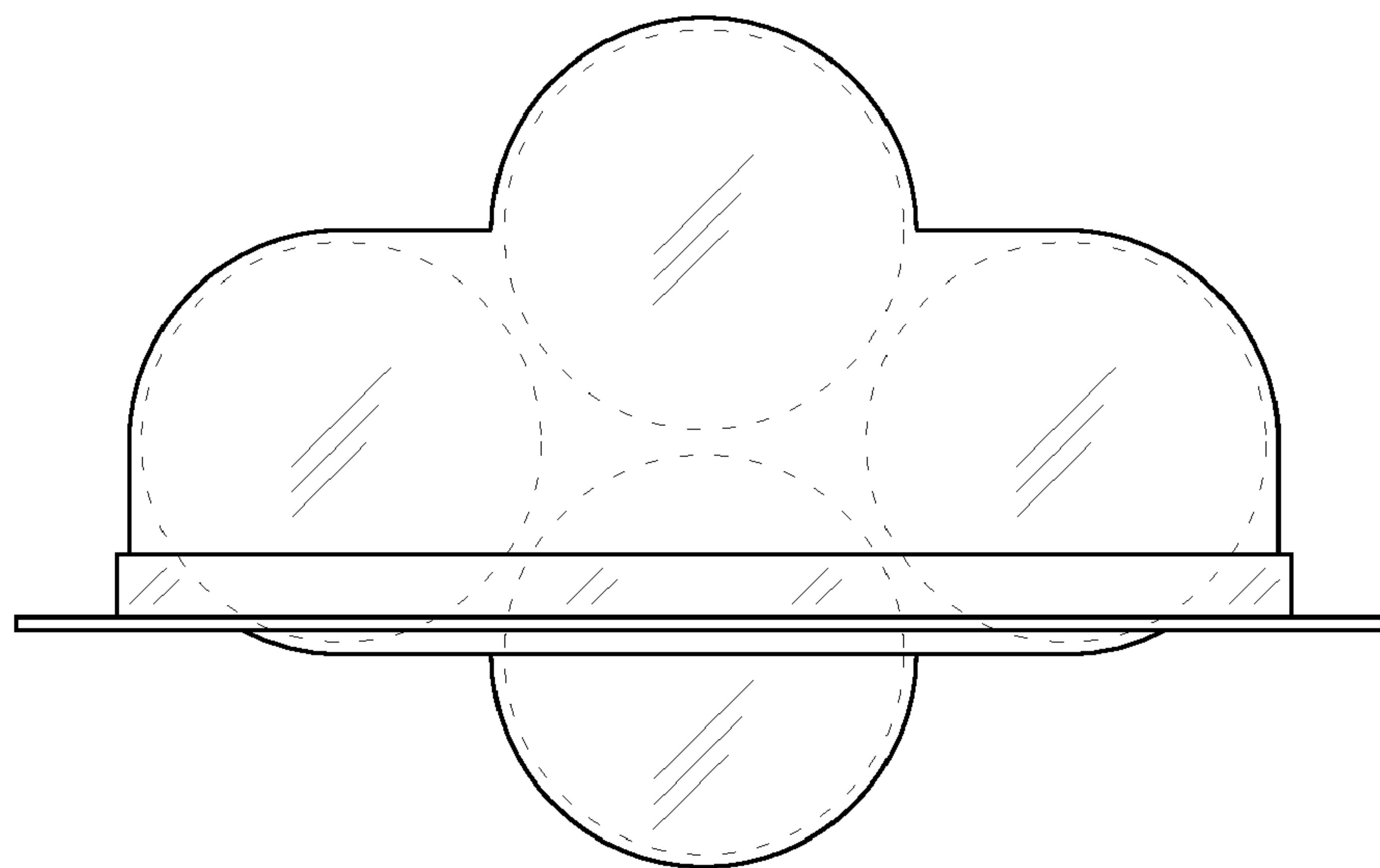


FIG. 6

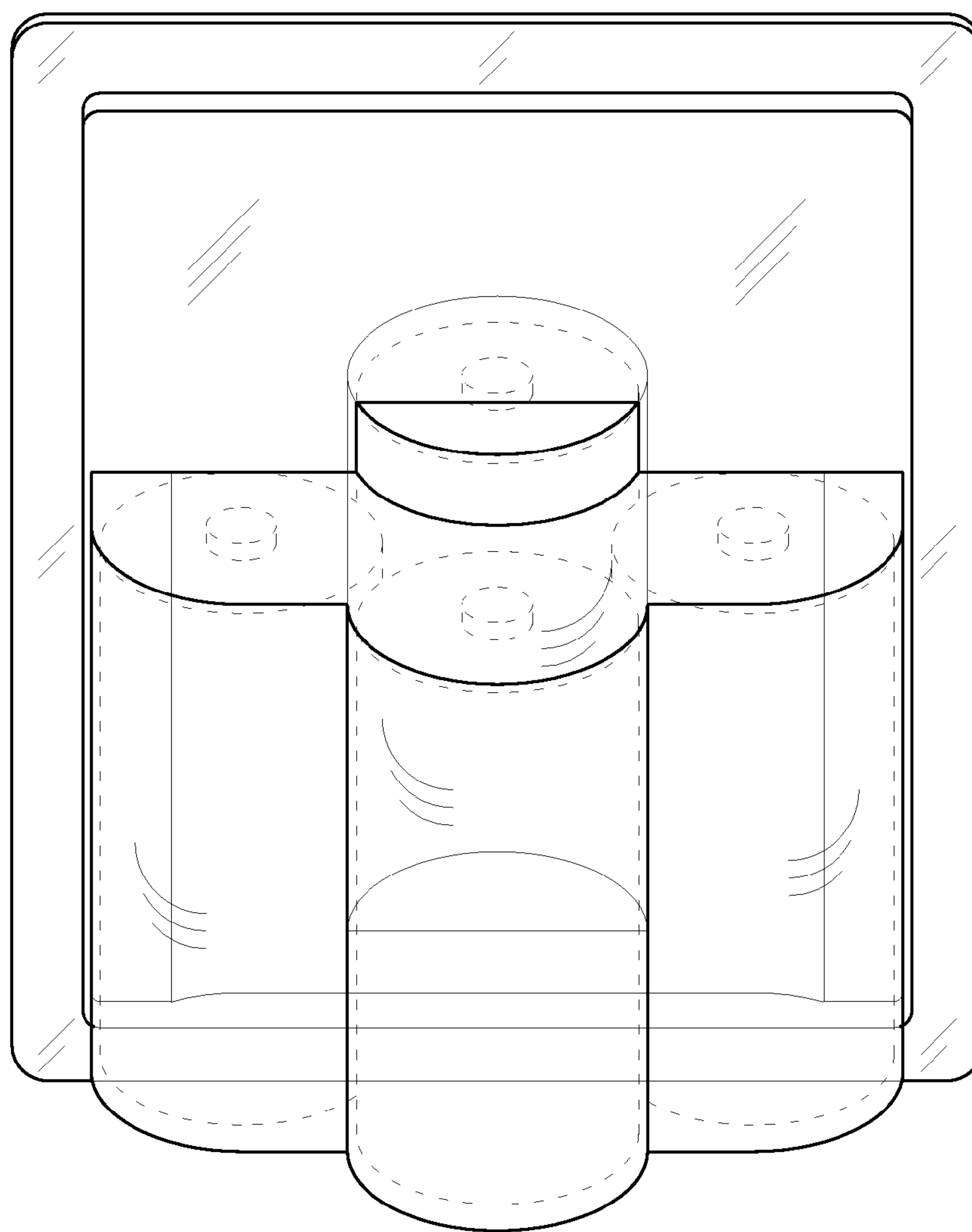


FIG. 7

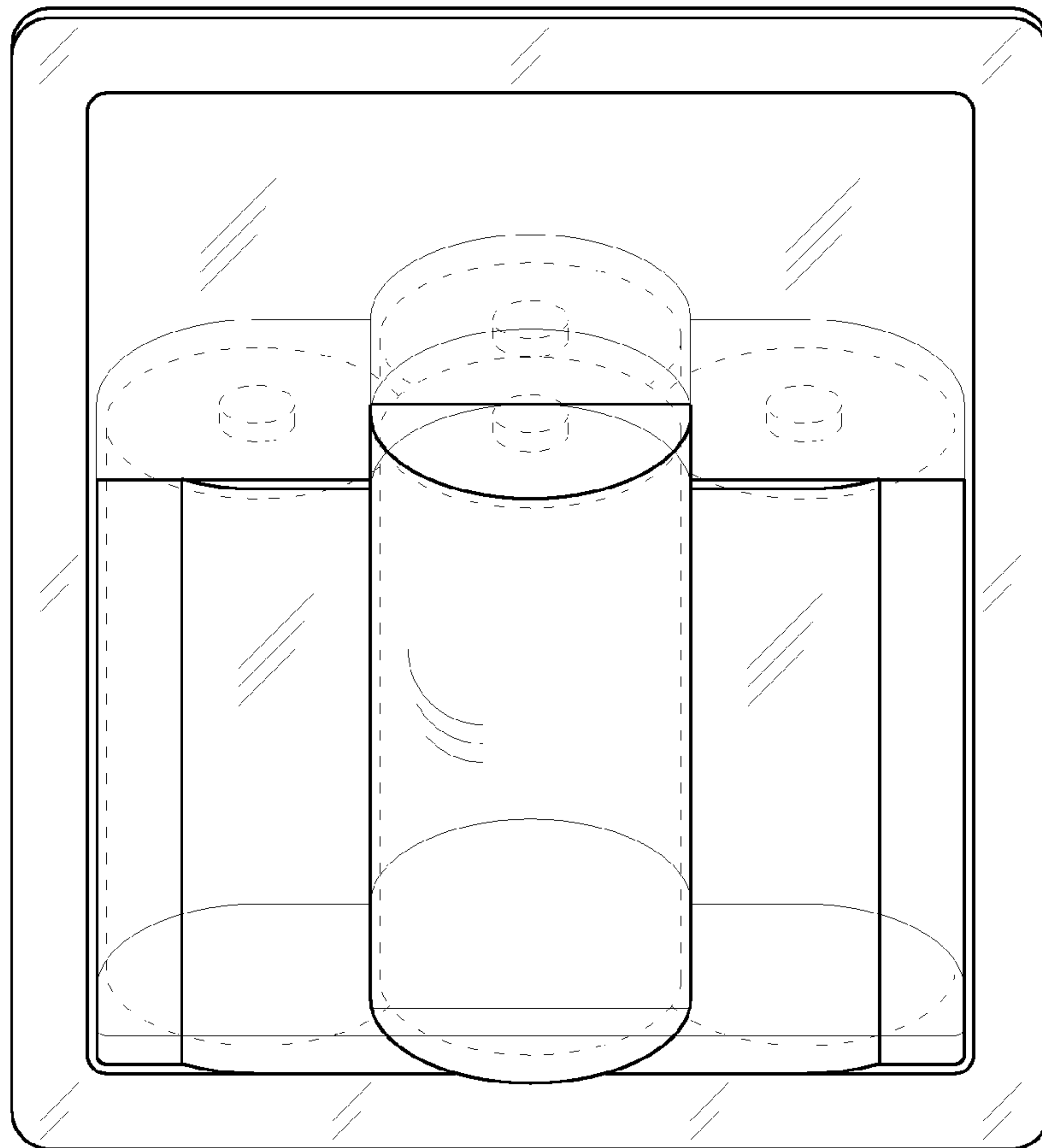


FIG. 8

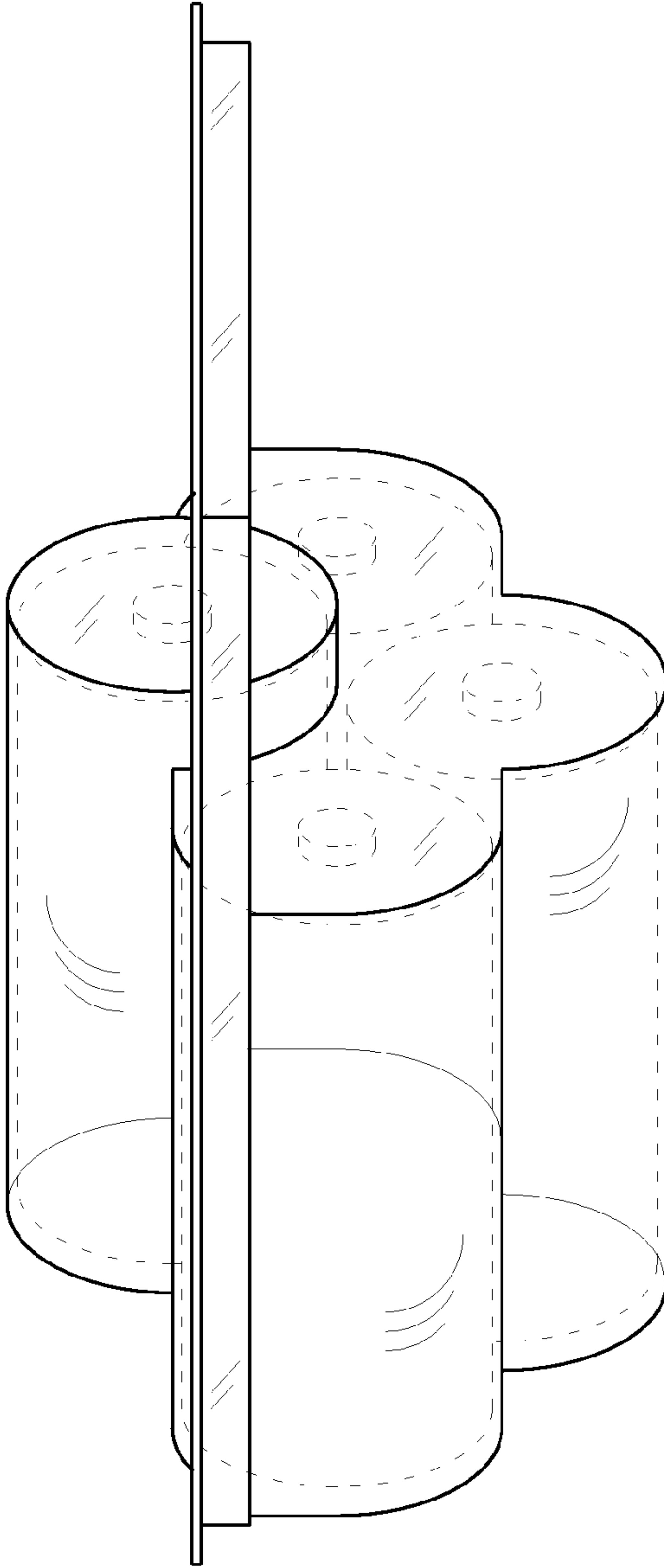


FIG. 9

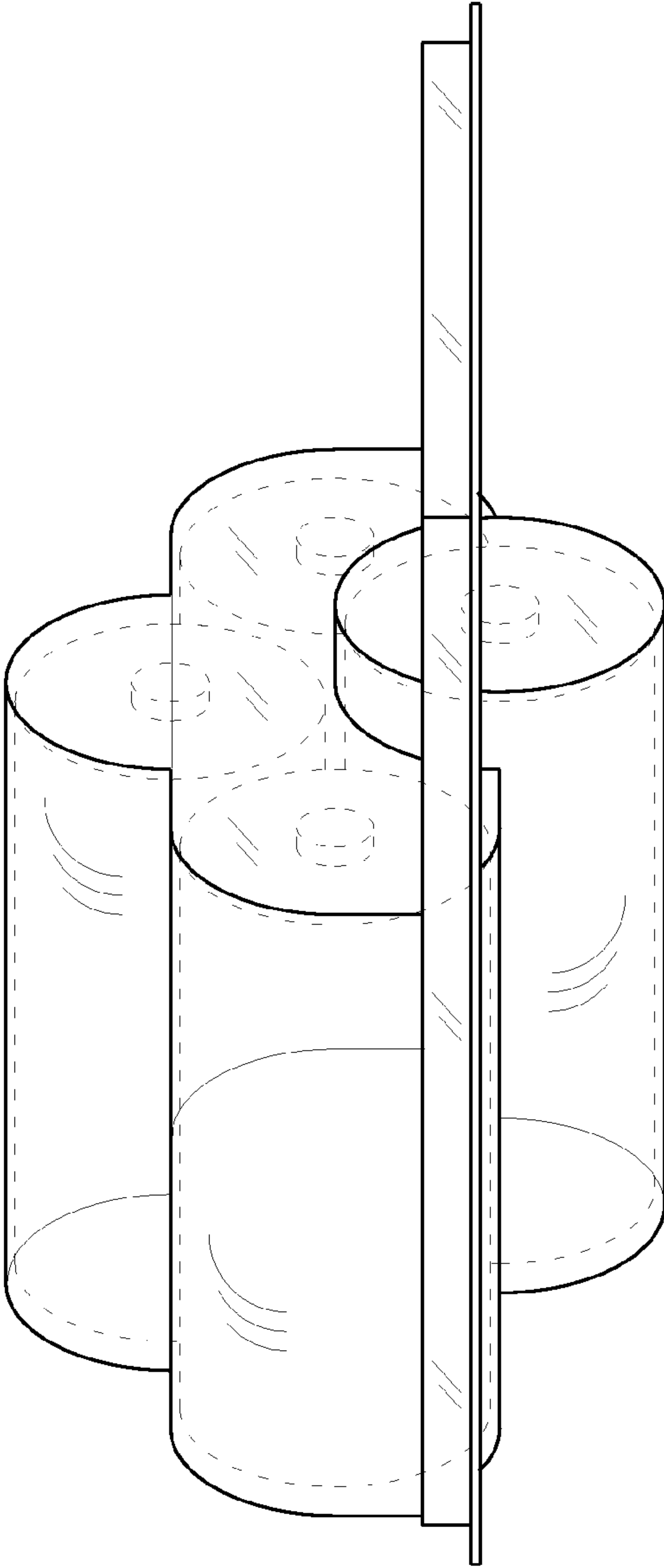


FIG. 10

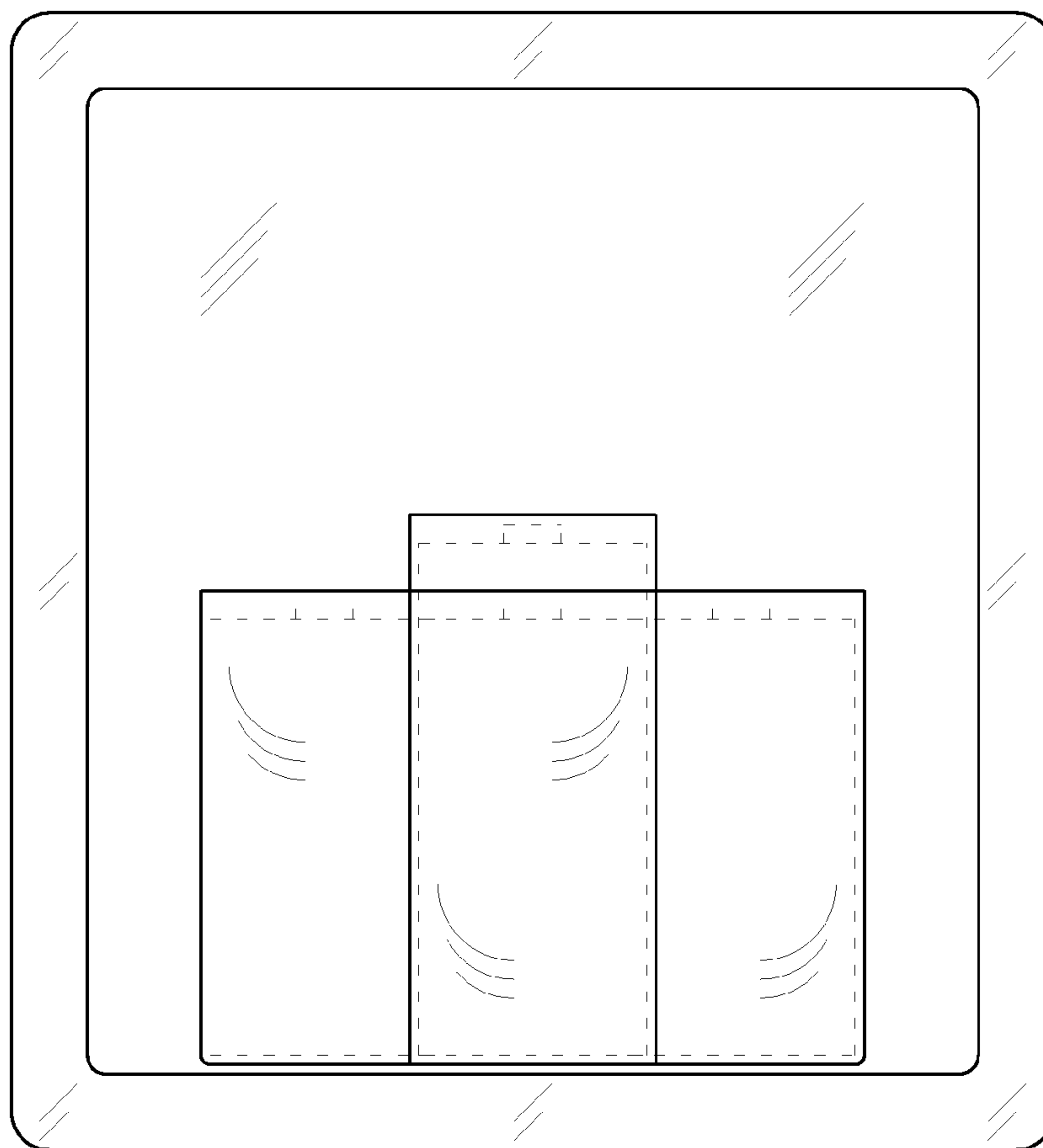


FIG. 11

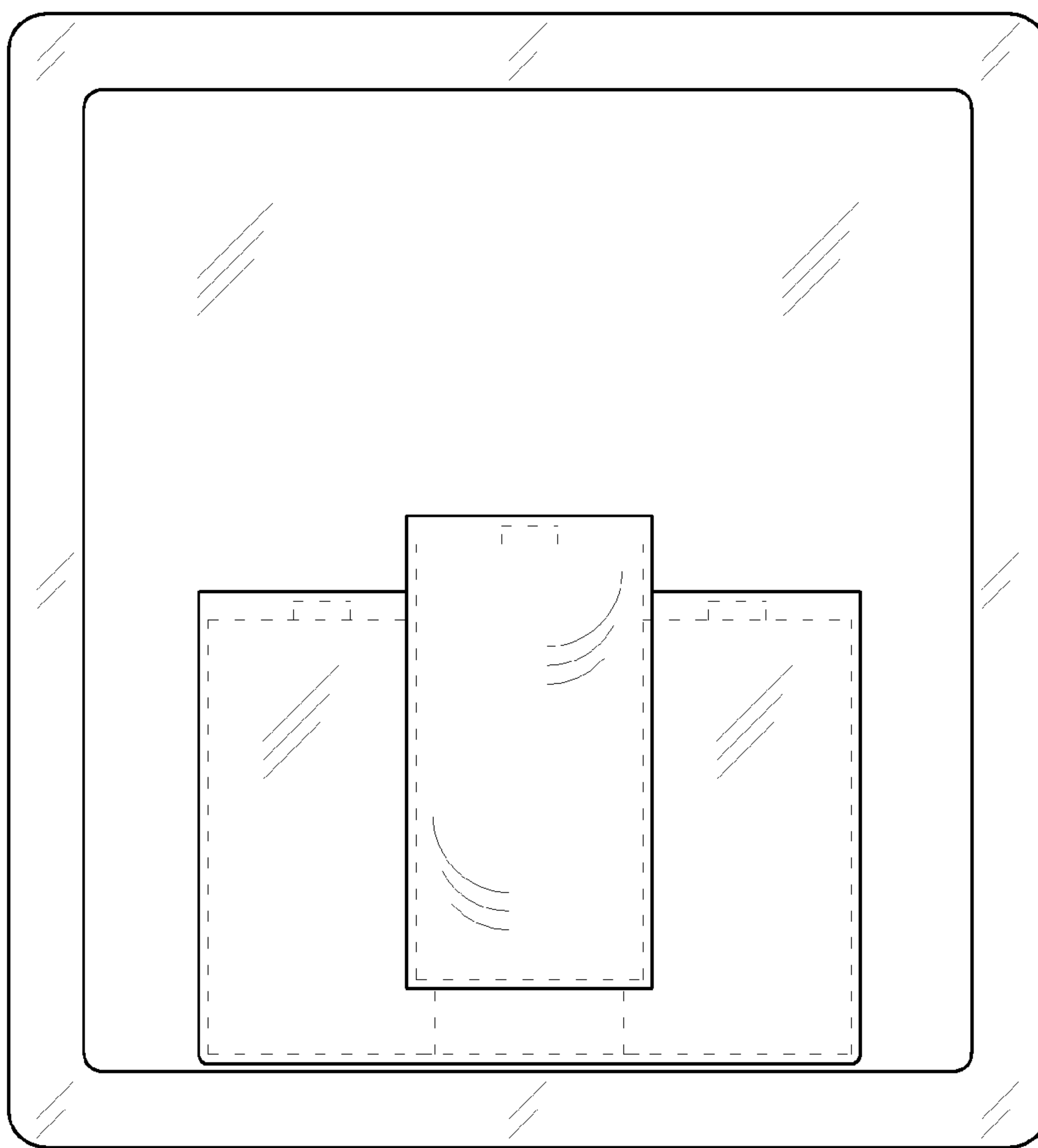


FIG. 12

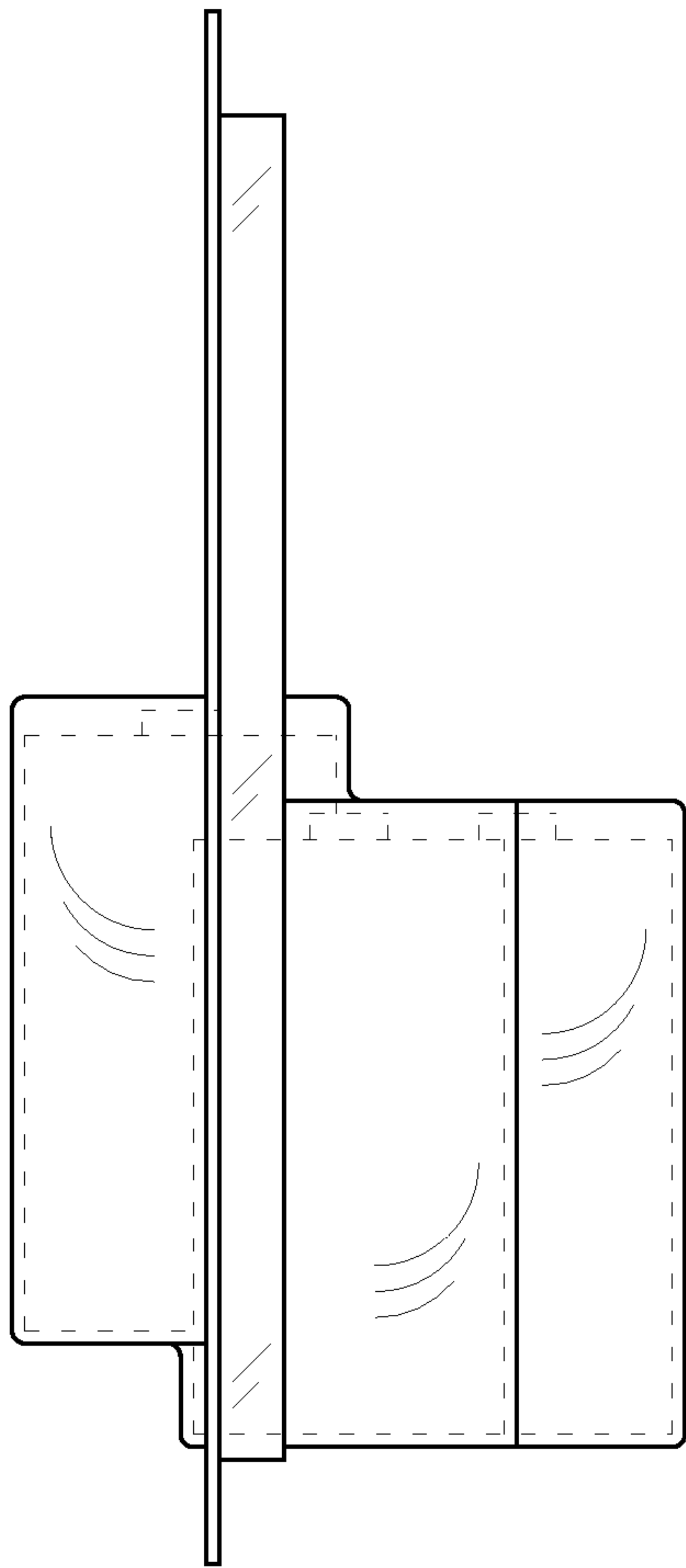


FIG. 13

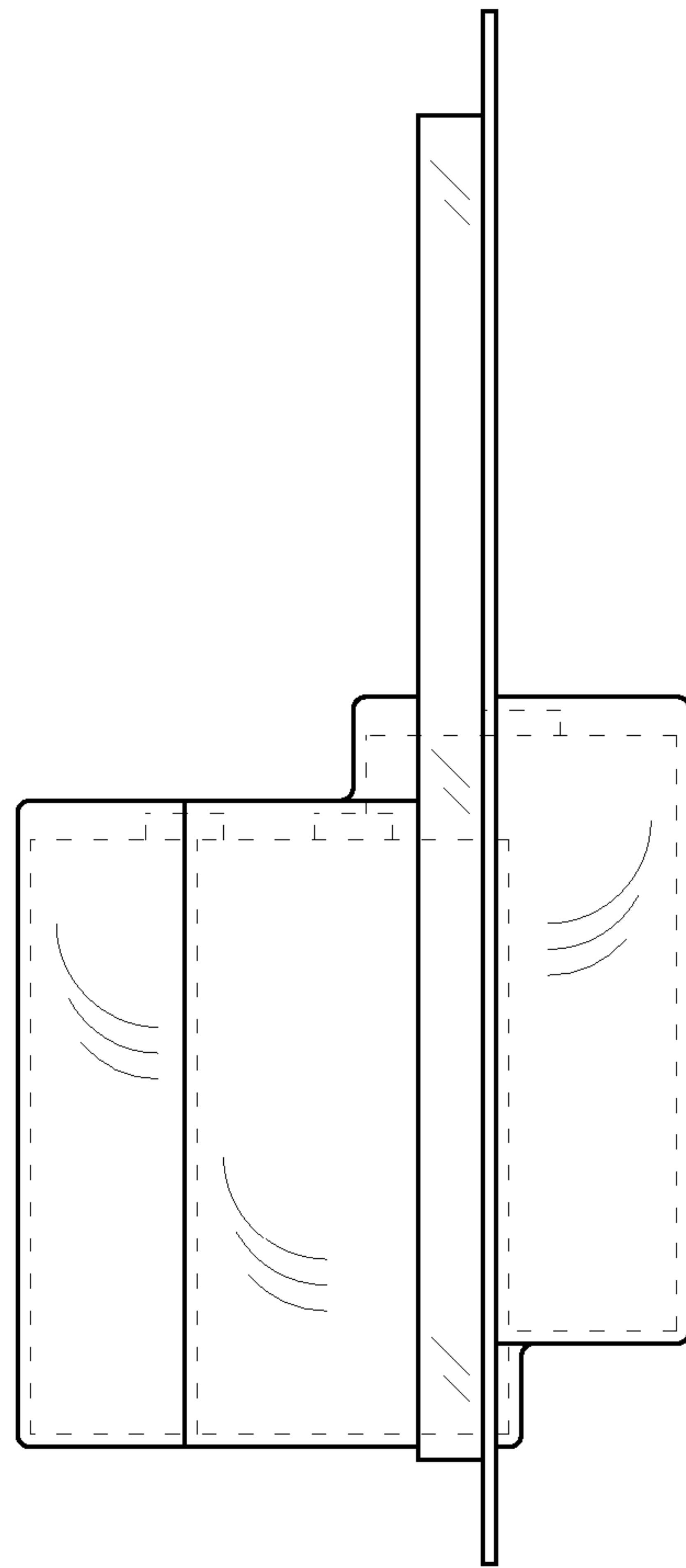


FIG. 14

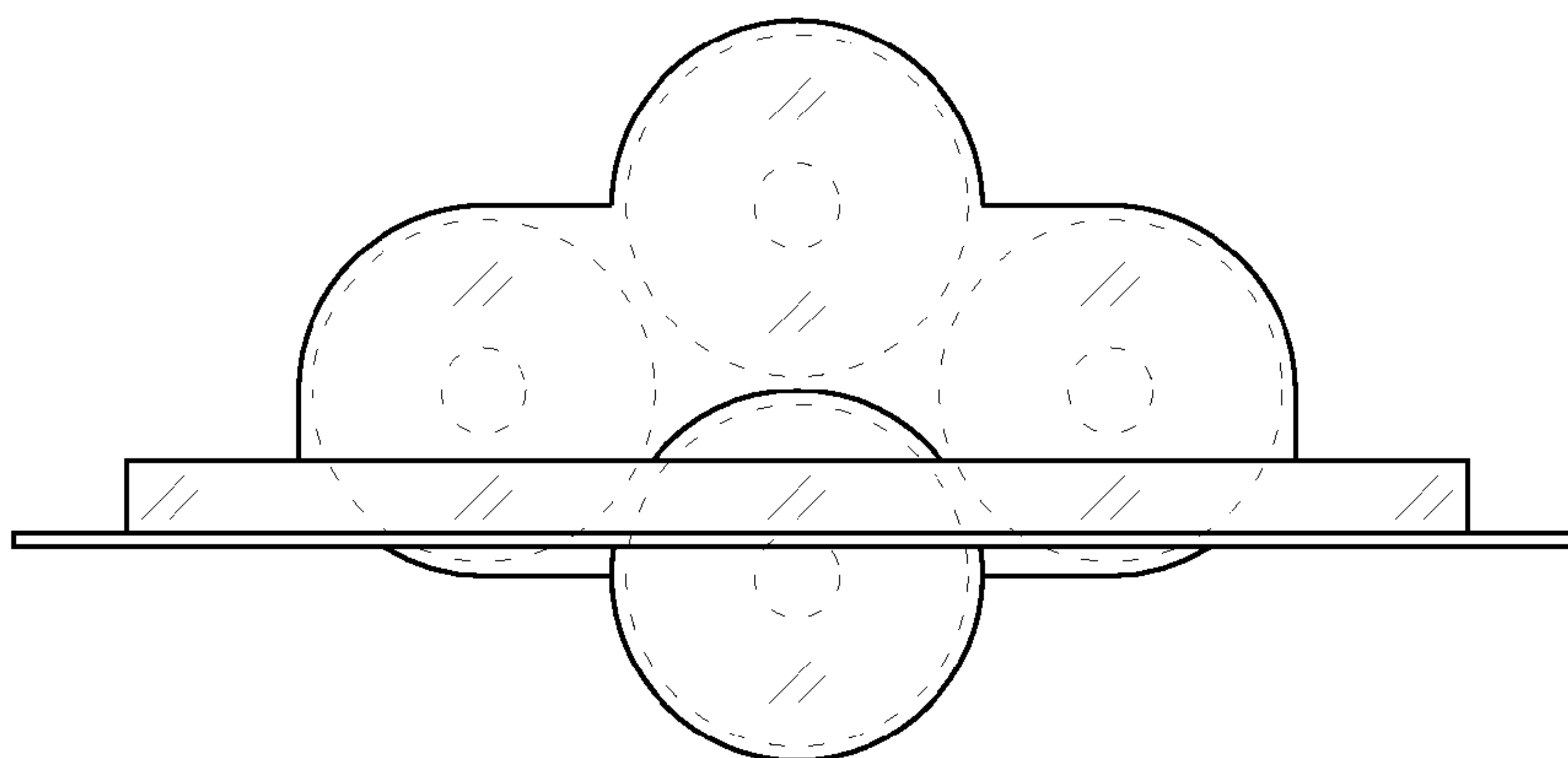


FIG. 15

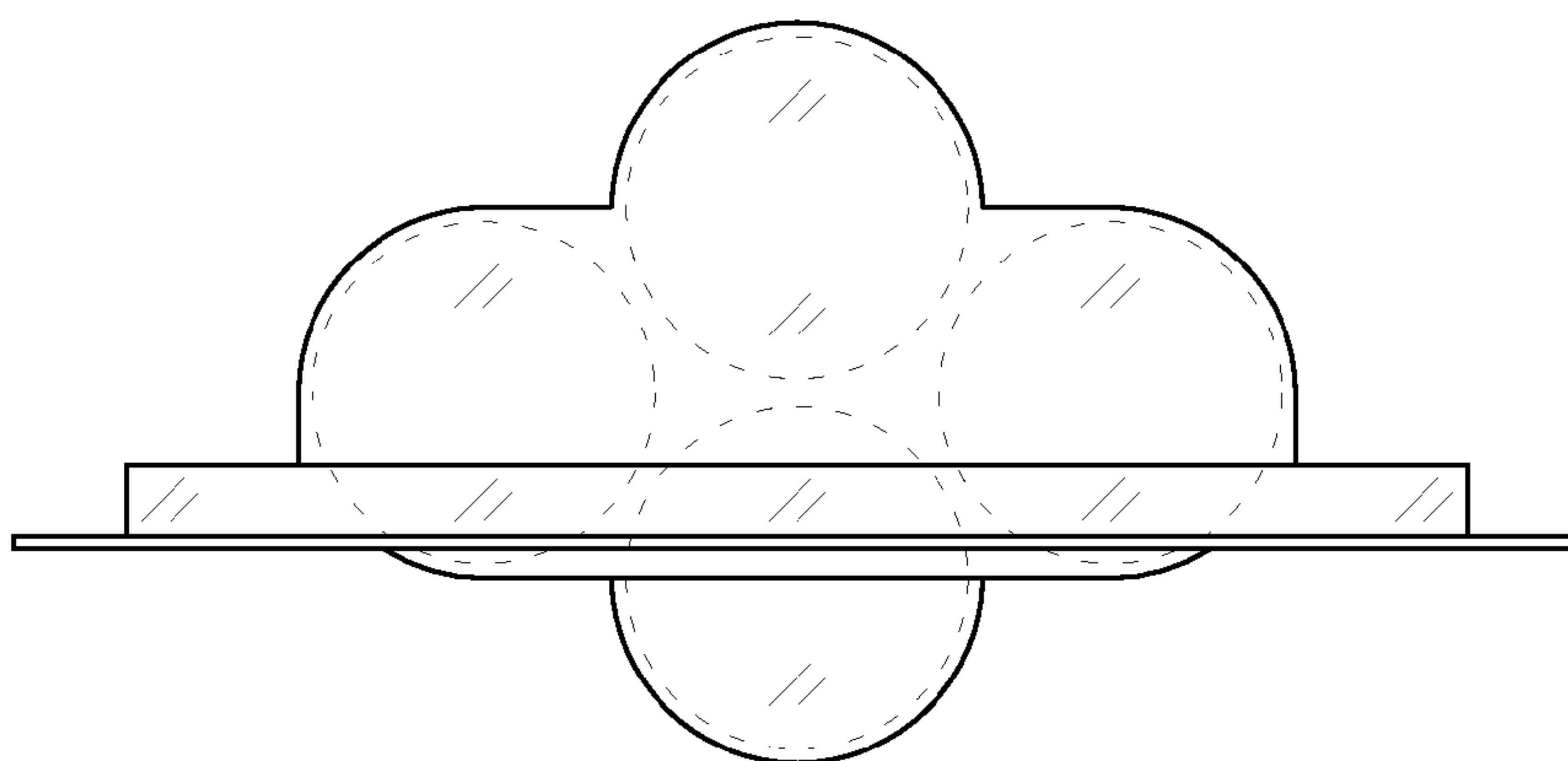


FIG. 16

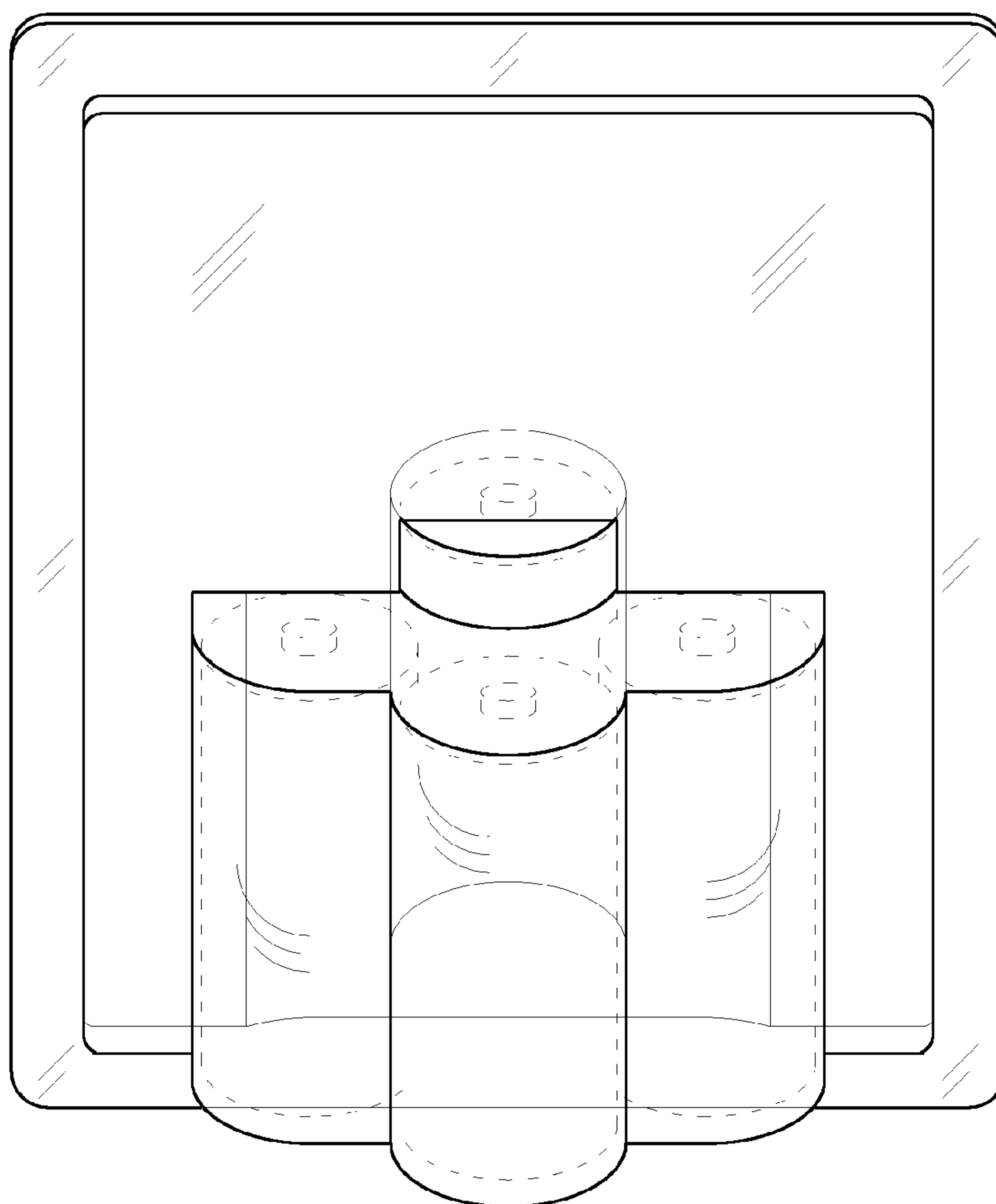


FIG. 17

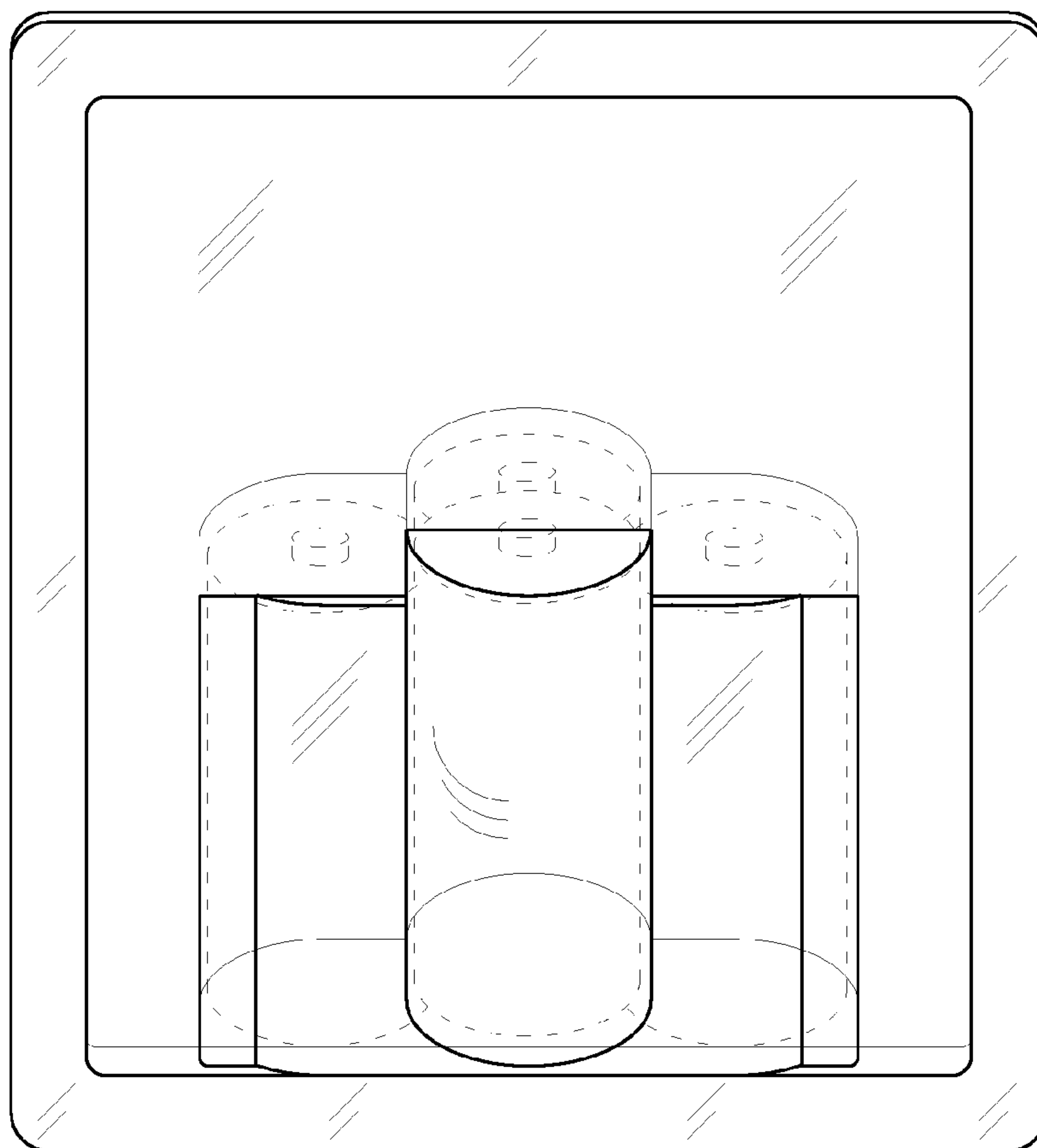


FIG. 18

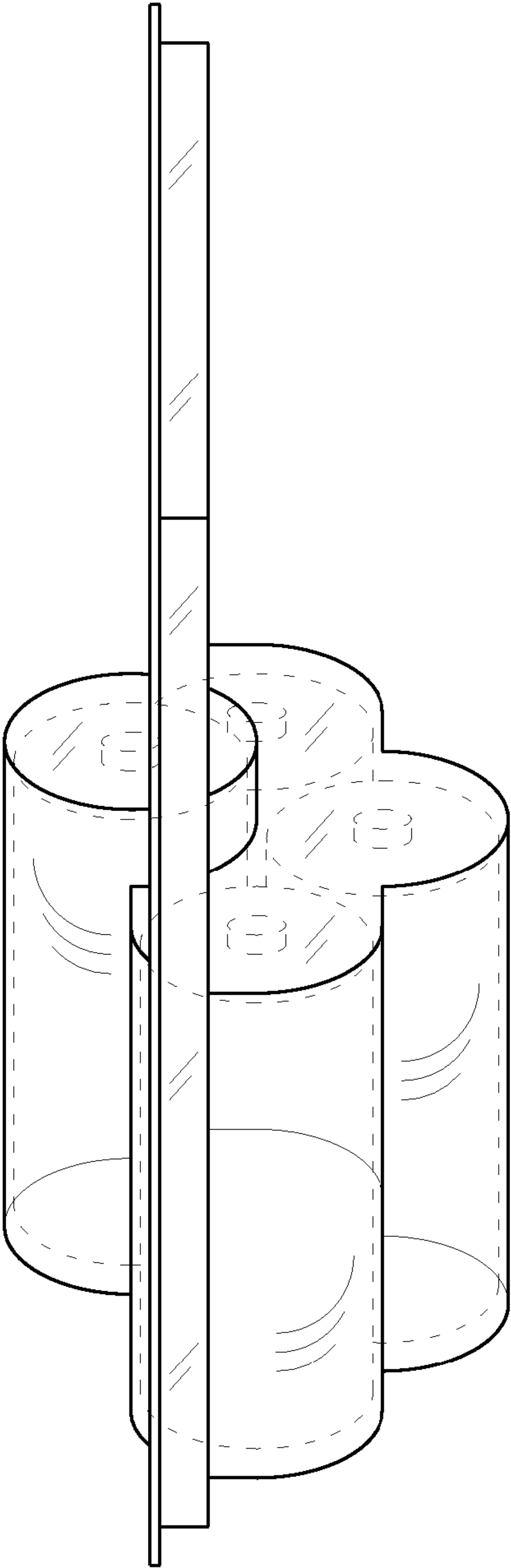


FIG. 19

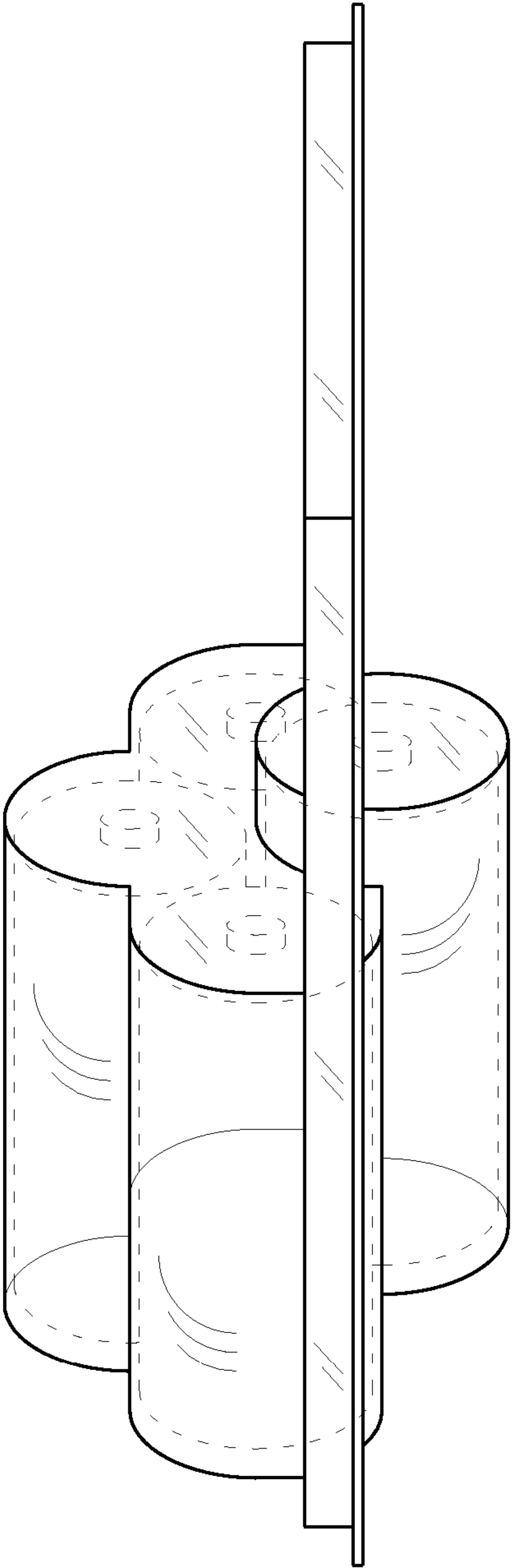


FIG. 20