



US00D577987S

(12) **United States Design Patent**  
**Corbin**

(10) **Patent No.:** **US D577,987 S**  
(45) **Date of Patent:** **\*\* Oct. 7, 2008**

(54) **BULK CABLE DUAL GANG WALL PLATE**

(76) **Inventor:** **O Bradley Corbin**, 711004 Canterbury Ct., St. Charles, IL (US) 60175

(\*\*) **Term:** **14 Years**

(21) **Appl. No.:** **29/297,741**

(22) **Filed:** **Nov. 16, 2007**

(51) **LOC (8) Cl.** ..... **11-05**

(52) **U.S. Cl.** ..... **D8/353**

(58) **Field of Classification Search** ..... D8/350-353, D8/399; D13/156, 177, 152, 154, 158, 173, D13/169, 171, 139.1-139.8, 146, 147, 162; D25/60; D14/159; 292/357; 248/27.3; 174/66, 174/67, 55, 58, 535; 200/303; 220/241, 220/3.92, 3.5-3.8, 242; 439/536, 535, 892  
See application file for complete search history.

(56) **References Cited**

**U.S. PATENT DOCUMENTS**

D126,098 S	3/1941	McIntosh	
D131,009 S	1/1942	Leslie	
4,688,747 A	8/1987	Helmsdorfer et al.	
D294,798 S *	3/1988	Hoehne	D8/353
4,960,317 A	10/1990	Briggs et al.	
D321,557 S	11/1991	Bezick et al.	
5,124,506 A *	6/1992	Briggs et al.	174/67
D342,235 S *	12/1993	Shotey	D13/156
5,484,308 A	1/1996	Gotz et al.	
D370,890 S	6/1996	Tiberio, Jr.	
5,527,993 A *	6/1996	Shotey et al.	174/67
5,664,955 A	9/1997	Arnett	

D399,829 S *	10/1998	Reed	D13/156
D430,149 S	8/2000	Afshar-Ghochani	
D449,584 S *	10/2001	Dinh	D13/156
D502,386 S	3/2005	Provenzano et al.	
D503,156 S	3/2005	Provenzano	
6,916,989 B2 *	7/2005	Broussard, Jr.	174/66
7,164,083 B1 *	1/2007	Carroll	174/67
D553,475 S *	10/2007	Gorin et al.	D8/353
D554,475 S *	11/2007	Gorin et al.	D8/353
2004/0074663 A1 *	4/2004	Broussard, Jr.	174/67

\* cited by examiner

*Primary Examiner*—Stella M. Reid

*Assistant Examiner*—Mark A Goodwin

(74) *Attorney, Agent, or Firm*—Thomas, Kayden, Horstemeyer & Risley, LLP

(57) **CLAIM**

The ornamental design for a bulk cable dual gang wall plate, as shown and described.

**DESCRIPTION**

FIG. 1 is a perspective view of the bulk cable dual gang wall plate showing my new design, with the broken line showing the cable forming no part of the claimed design;

FIG. 2 is a side view thereof, with the opposite side being a mirror image thereof;

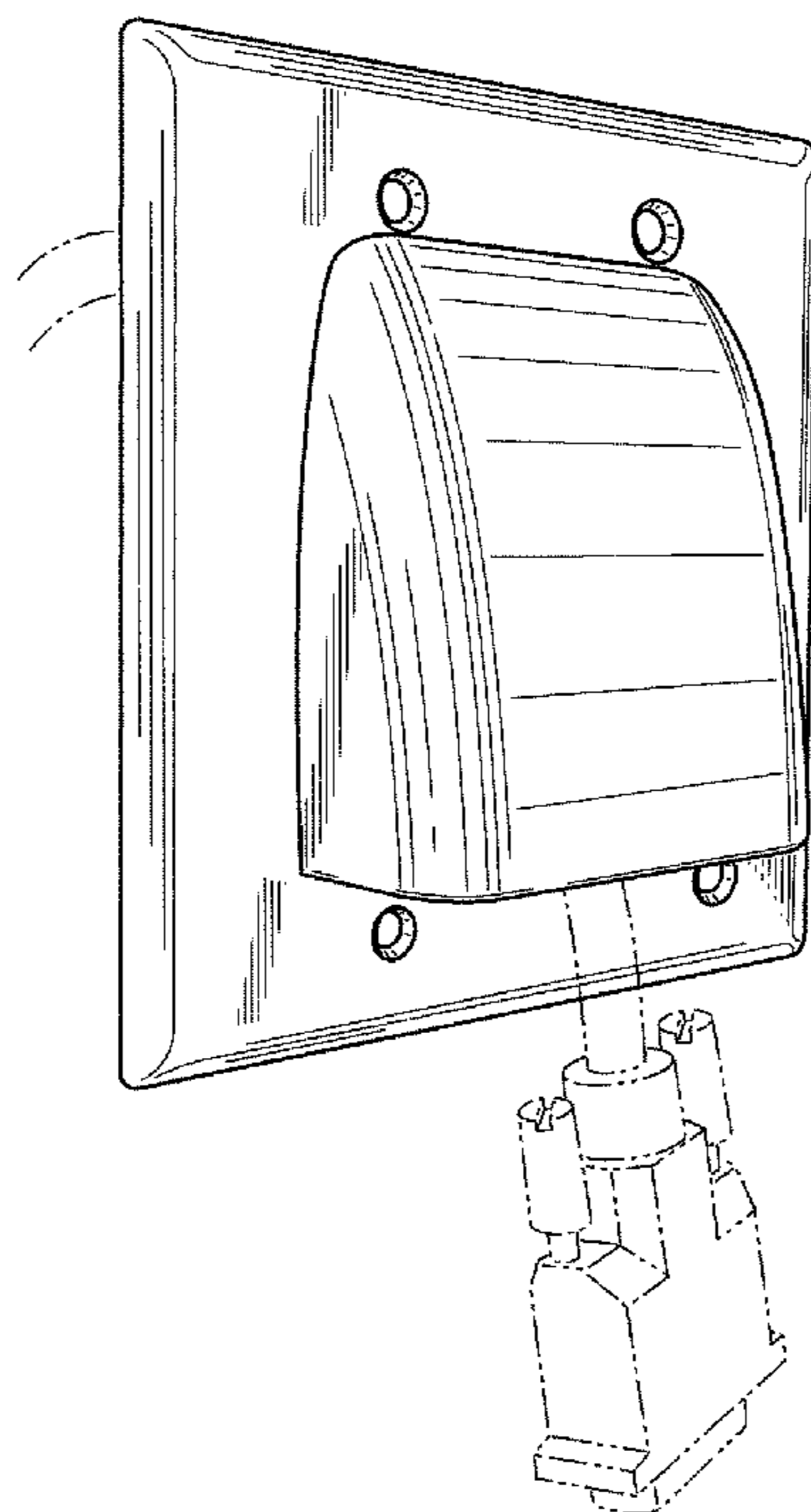
FIG. 3 is a top view thereof;

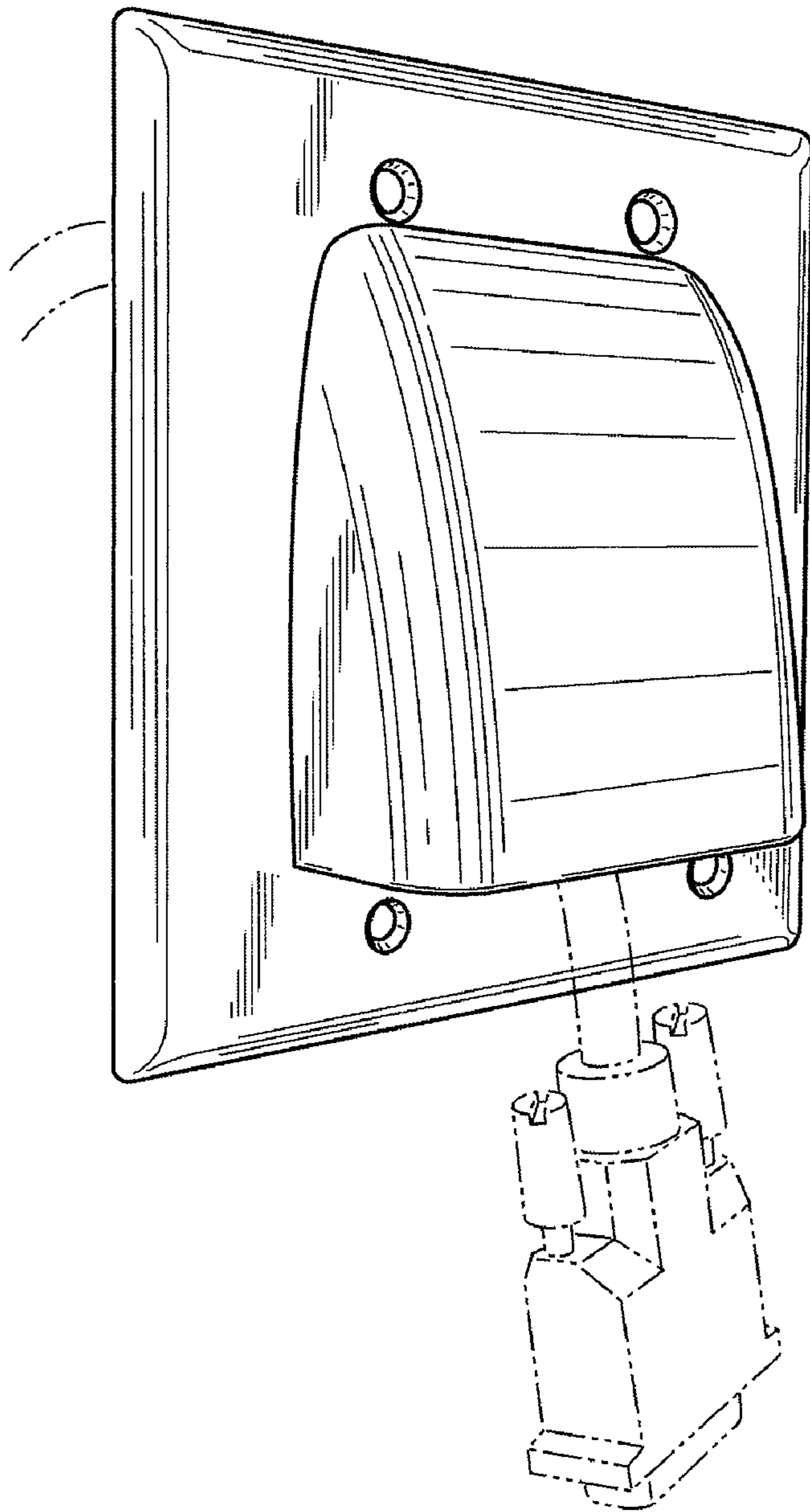
FIG. 4 is a front elevational view thereof;

FIG. 5 is a bottom view thereof; and,

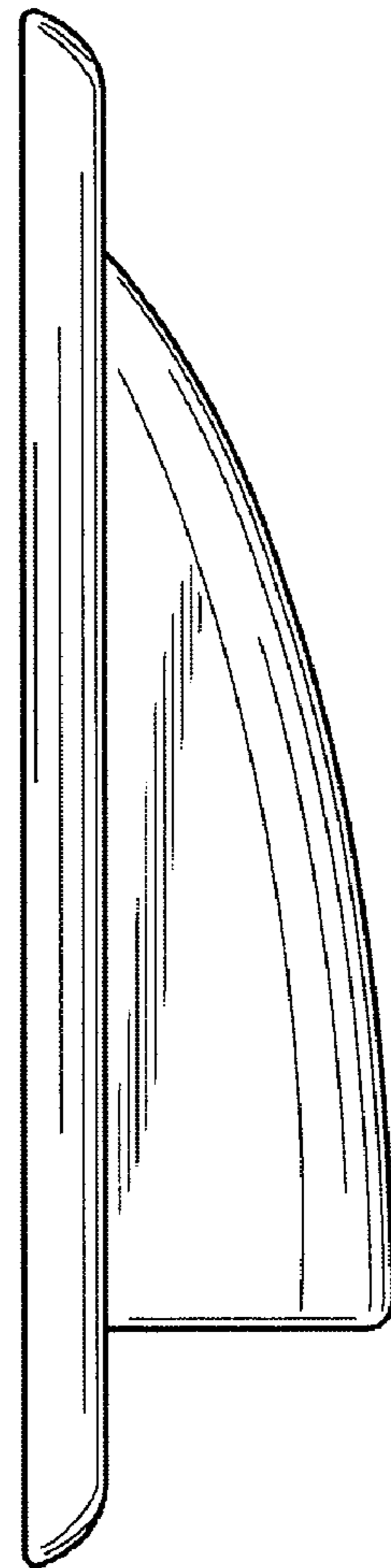
FIG. 6 is a back view thereof.

**1 Claim, 3 Drawing Sheets**



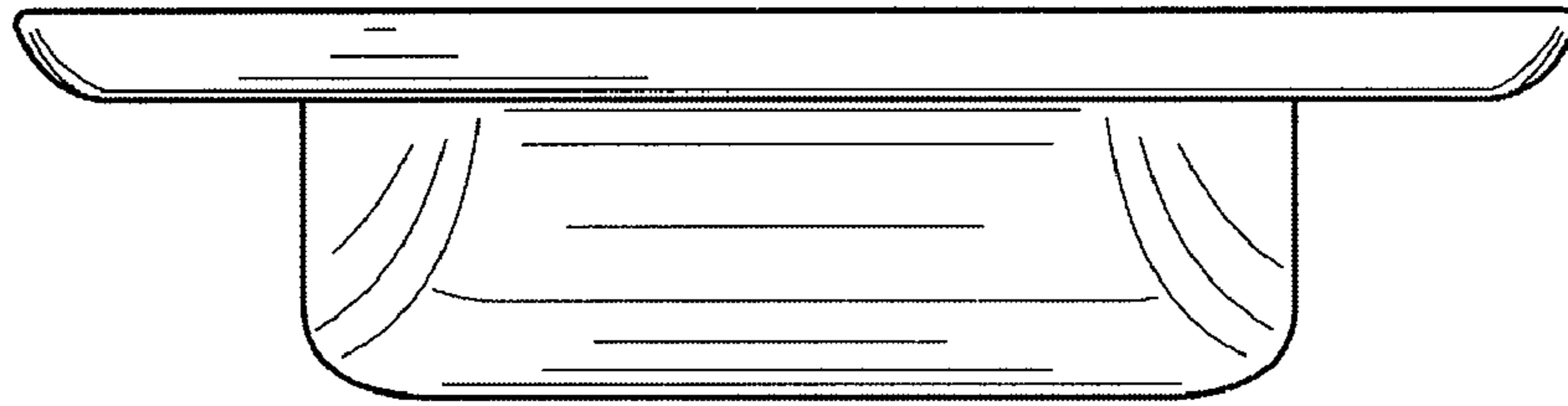


**Fig. 1**

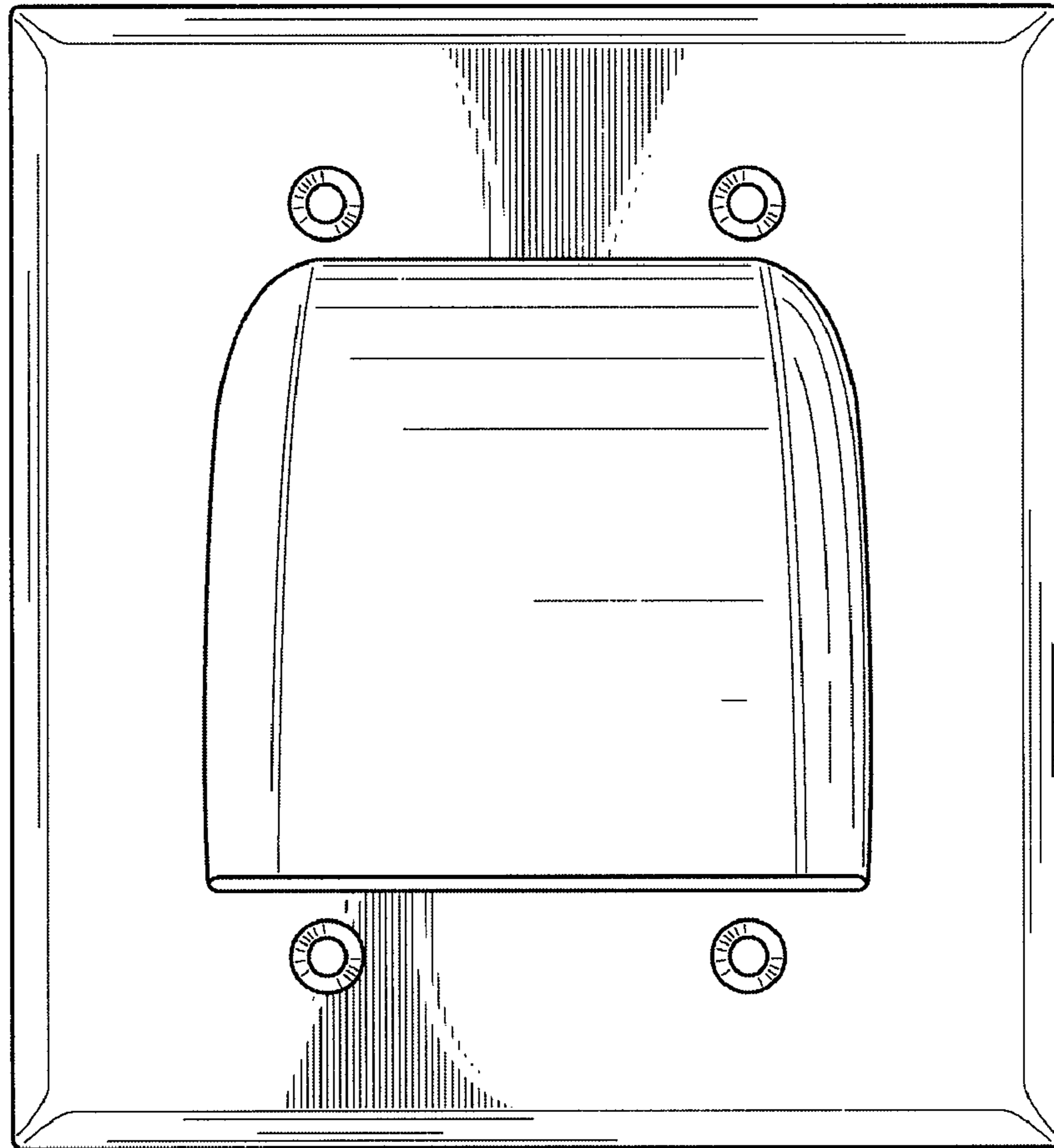


**Fig. 2**

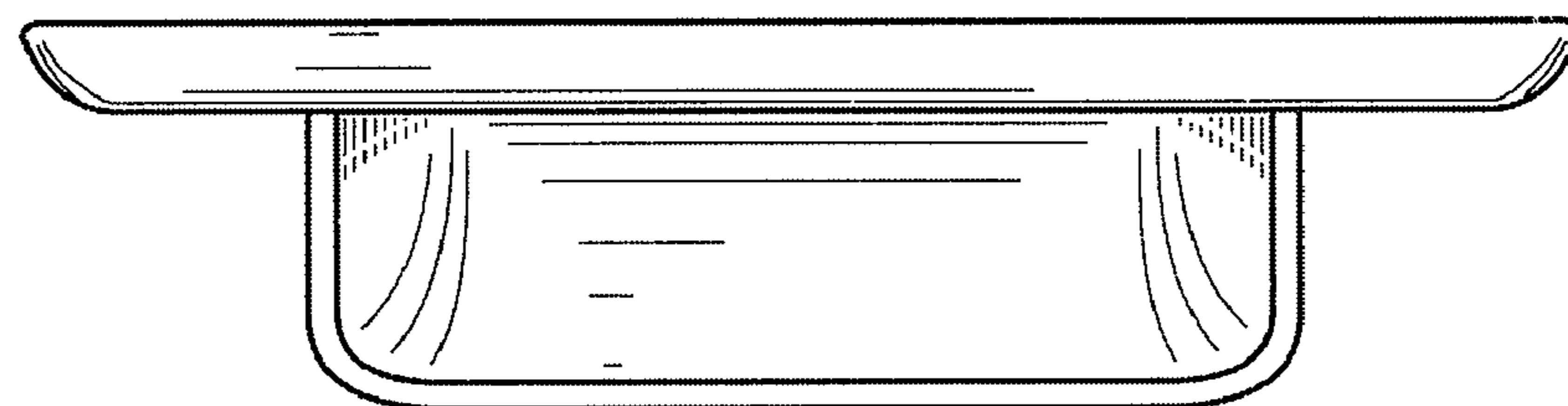
**Fig. 3**

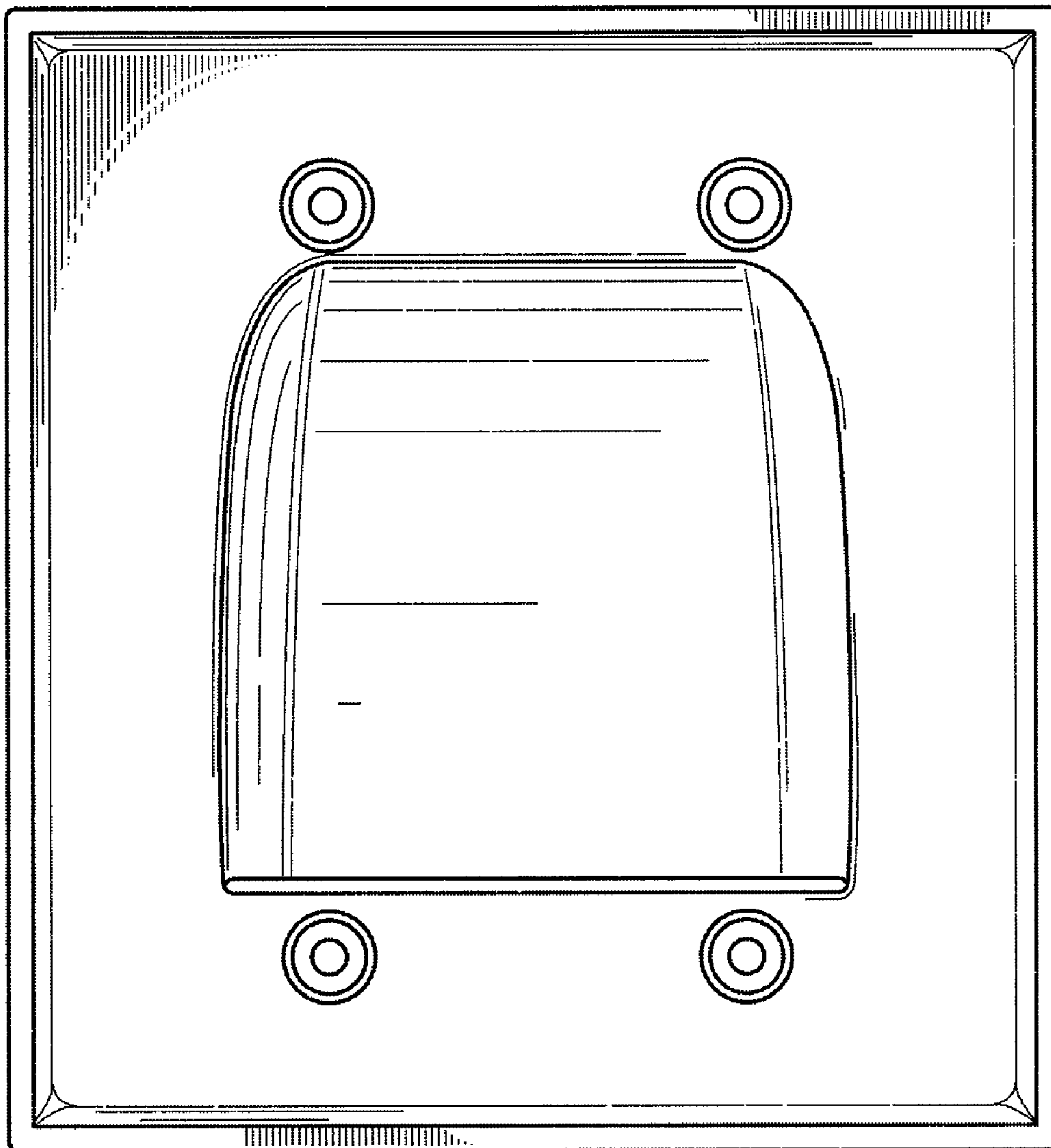


**Fig. 4**



**Fig. 5**





**Fig. 6**