



US00D577986S

(12) **United States Design Patent**
Jarvis

(10) **Patent No.:** **US D577,986 S**
(45) **Date of Patent:** **** Oct. 7, 2008**

(54) **INLET COVER PLATE**

(76) **Inventor:** **Stephen Jarvis**, 3 Isabel Court,
Arrowtown (NZ) 9302

(**) **Term:** **14 Years**

(21) **Appl. No.:** **29/281,222**

(22) **Filed:** **Jun. 19, 2007**

(51) **LOC (8) Cl.** **11-05**

(52) **U.S. Cl.** **D8/353**

(58) **Field of Classification Search** D8/350–353;
D13/156, 177, 152, 154, 158, 173, 169, 171,
D13/139.1–139.8, 146, 147; D14/159; D25/60;
174/66, 67; 220/241, 3.92, 3.5–3.8, 242;
439/536, 535, 892; 200/303; 248/273; 292/357
See application file for complete search history.

(56) **References Cited**

U.S. PATENT DOCUMENTS

| | | | | | |
|-----------|------|---------|----------------|-------|---------|
| 3,198,373 | A * | 8/1965 | Ramsing | | 220/242 |
| D283,007 | S * | 3/1986 | Henkel | | D8/353 |
| D332,087 | S * | 12/1992 | Woodard | | D13/177 |
| D338,662 | S * | 8/1993 | Sharp | | D14/445 |
| D371,432 | S * | 7/1996 | Lobermeier | | D23/303 |
| D410,437 | S * | 6/1999 | Mowery | | D13/177 |
| D418,113 | S * | 12/1999 | Yanish et al. | | D13/152 |
| D449,279 | S * | 10/2001 | Takach et al. | | D13/152 |
| D455,332 | S * | 4/2002 | Lin | | D8/353 |
| D476,628 | S * | 7/2003 | Millar | | D13/158 |
| 6,916,989 | B2 * | 7/2005 | Broussard, Jr. | | 174/66 |
| 6,956,169 | B1 * | 10/2005 | Shotey et al. | | 174/58 |

| | | | | | |
|--------------|------|---------|----------------|-------|---------|
| D528,513 | S * | 9/2006 | Grendahl | | D13/177 |
| 7,265,290 | B1 * | 9/2007 | Hsu et al. | | 174/66 |
| 7,273,983 | B1 * | 9/2007 | Rintz | | 174/66 |
| 7,304,237 | B1 * | 12/2007 | Shotey et al. | | 174/66 |
| 2003/0213801 | A1 * | 11/2003 | Bradley et al. | | 220/3.8 |
| 2008/0066894 | A1 * | 3/2008 | Valenzuela | | 165/166 |

* cited by examiner

Primary Examiner—Ian Simmons

Assistant Examiner—Mark A Goodwin

(74) *Attorney, Agent, or Firm*—Young & Thompson

(57) **CLAIM**

The ornamental design for an inlet cover plate, as shown and described.

DESCRIPTION

FIG. 1 is a top perspective view of an inlet cover plate showing my new design;

FIG. 2 is a bottom perspective view thereof;

FIG. 3 is a top plan view thereof;

FIG. 4 is a side view, the opposite side being a mirror image thereof;

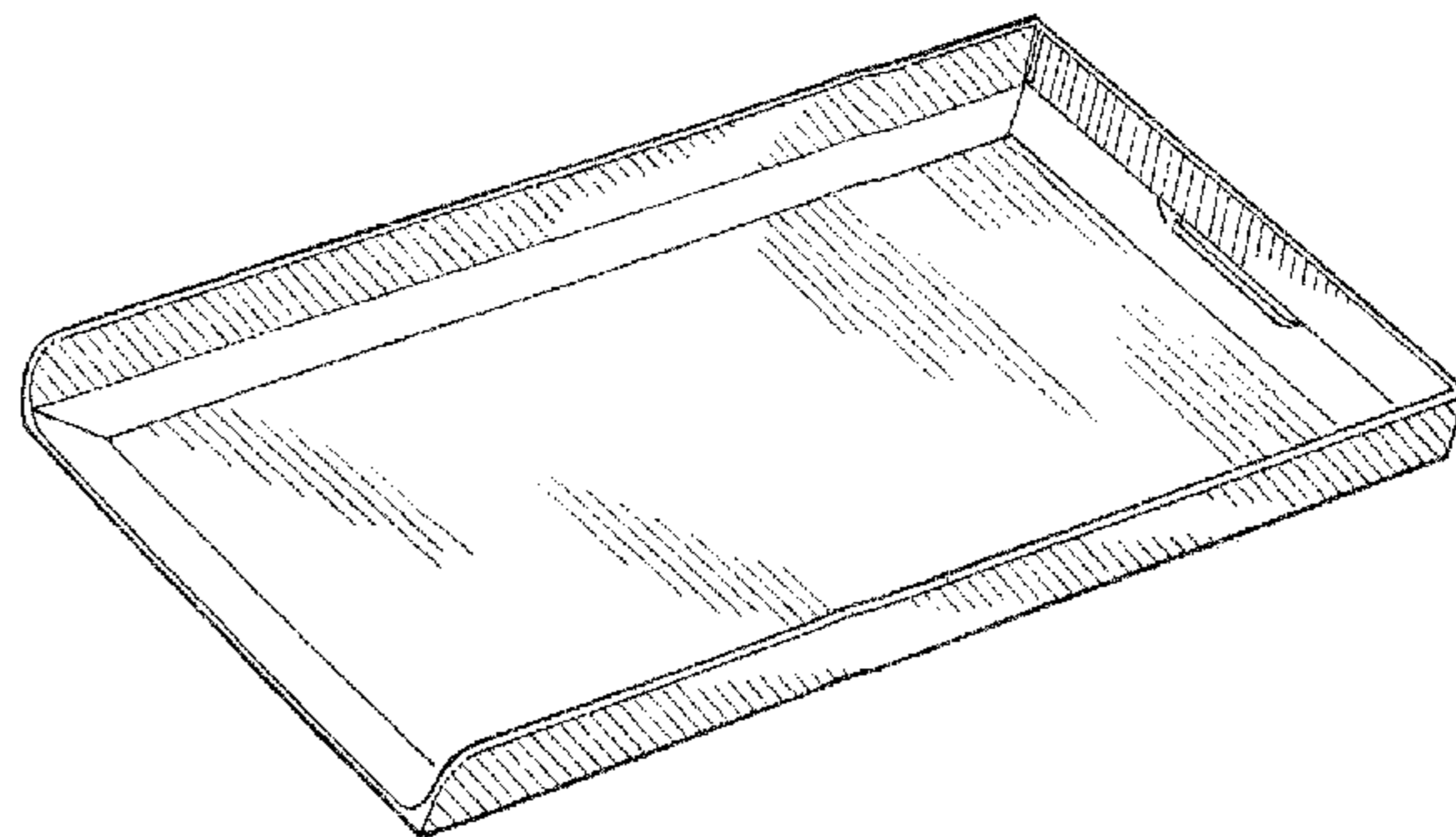
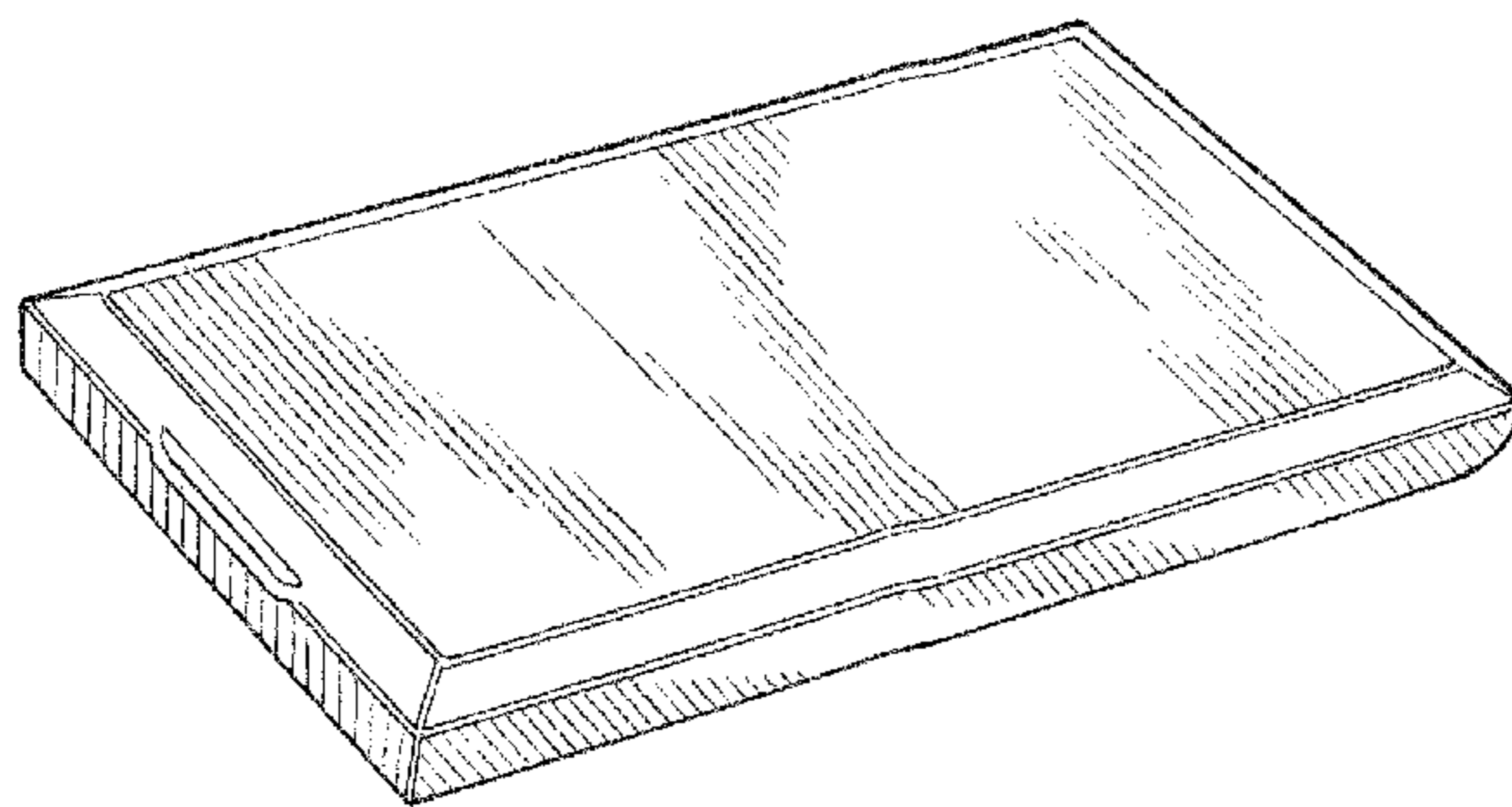
FIG. 5 is an end view thereof;

FIG. 6 is an opposite end view thereof;

FIG. 7 is a cross sectional view thereof, taken along line 7—7 of FIG. 3; and,

FIG. 8 is a bottom plan view thereof.

1 Claim, 2 Drawing Sheets



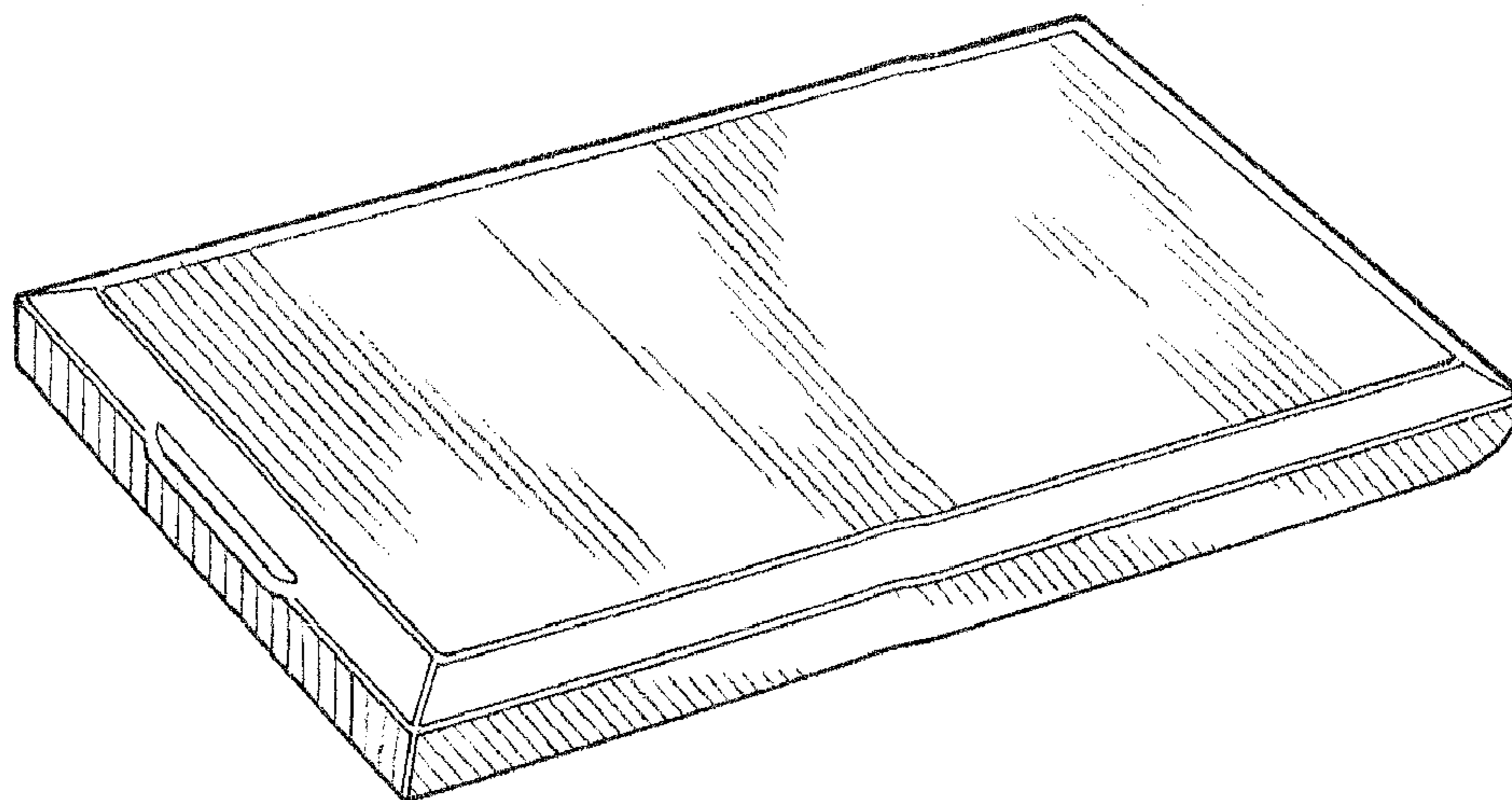


FIGURE 1

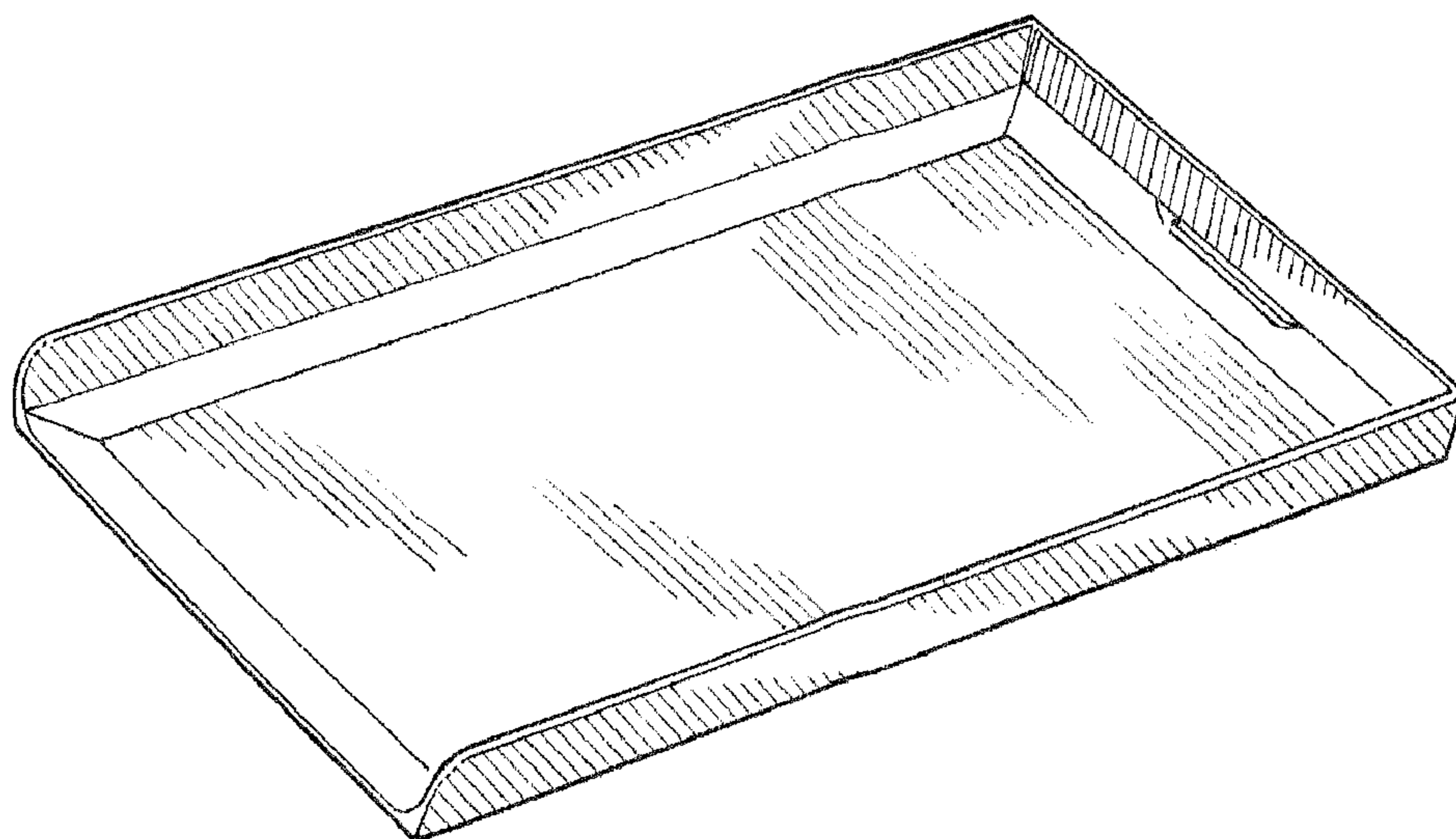


FIGURE 2

