



US00D577980S

(12) **United States Design Patent**  
**Mihaelson**

(10) **Patent No.:** **US D577,980 S**

(45) **Date of Patent:** **\*\* Oct. 7, 2008**

(54) **MULTI-TOOL**

(76) **Inventor:** **Lev Mihaelson**, 8462 Goldington Ct.,  
Middle Village, NY (US) 11379

(\*\*) **Term:** **14 Years**

(21) **Appl. No.:** **29/291,973**

(22) **Filed:** **Sep. 25, 2007**

(51) **LOC (8) Cl.** ..... **08-05**

(52) **U.S. Cl.** ..... **D8/105**

(58) **Field of Classification Search** ..... D8/26,  
D8/99, 58, 55, 105, 52, 356, 107; D19/65;  
81/440, 427.5; 7/160, 138, 129, 127, 128,  
7/104; 30/162, 161, 155, 298.4; 362/119

See application file for complete search history.

(56) **References Cited**

**U.S. PATENT DOCUMENTS**

4,854,045	A	8/1989	Schaub	
5,103,520	A	4/1992	Mazzo	
5,432,968	A *	7/1995	Beck	7/128
D382,182	S	8/1997	Seber et al.	
D384,872	S	10/1997	Yeh	
5,920,935	A *	7/1999	Beck	7/128
D422,875	S *	4/2000	Beck	D8/105
6,273,582	B1	8/2001	Taggart	
D455,939	S *	4/2002	Allen	D8/26
6,412,130	B1	7/2002	Kershaw	

D468,987	S *	1/2003	Dreyfus et al.	D8/105
D477,509	S *	7/2003	Allen et al.	D8/55
D520,829	S *	5/2006	Albertson	D8/55
7,036,952	B2	5/2006	Zirk	
7,162,758	B2 *	1/2007	Skinner	7/127
2001/0014986	A1 *	8/2001	Harrison	7/128
2002/0029426	A1 *	3/2002	Seber et al.	7/128

**OTHER PUBLICATIONS**

<http://www.leatherman.com/products/tools/crunch/default.asp>.

\* cited by examiner

*Primary Examiner*—Cathron C. Brooks

*Assistant Examiner*—Austin Murphy

(74) *Attorney, Agent, or Firm*—Plager Law Offices PC

(57) **CLAIM**

An ornamental design for a multi-tool, as shown.

**DESCRIPTION**

FIG. 1 is a front view of the multi-tool.

FIG. 2 is a rear view thereof;

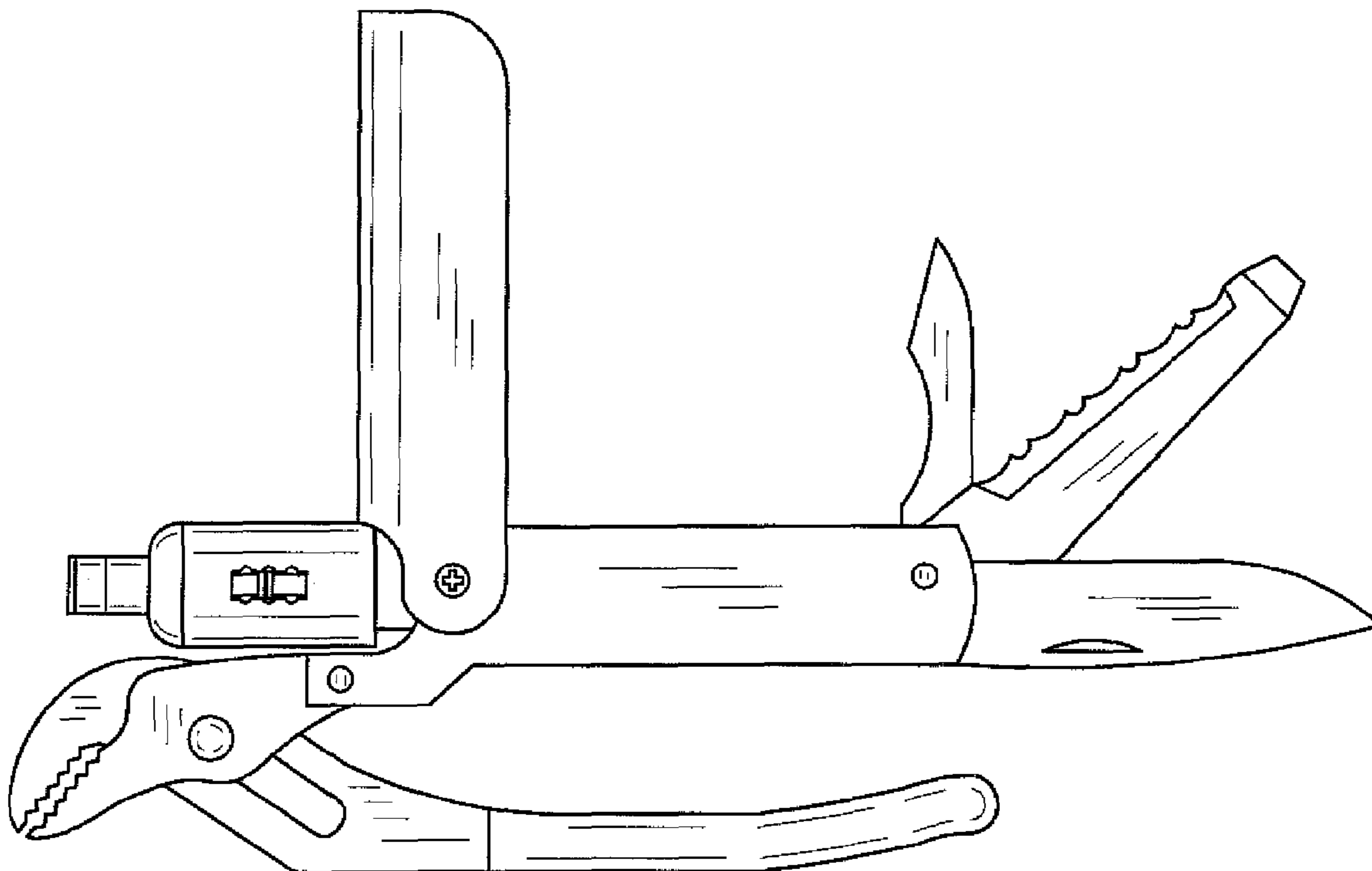
FIG. 3 is left side view thereof;

FIG. 4 is a right side view thereof;

FIG. 5 is a top view thereof; and,

FIG. 6 is a bottom view thereof.

**1 Claim, 2 Drawing Sheets**



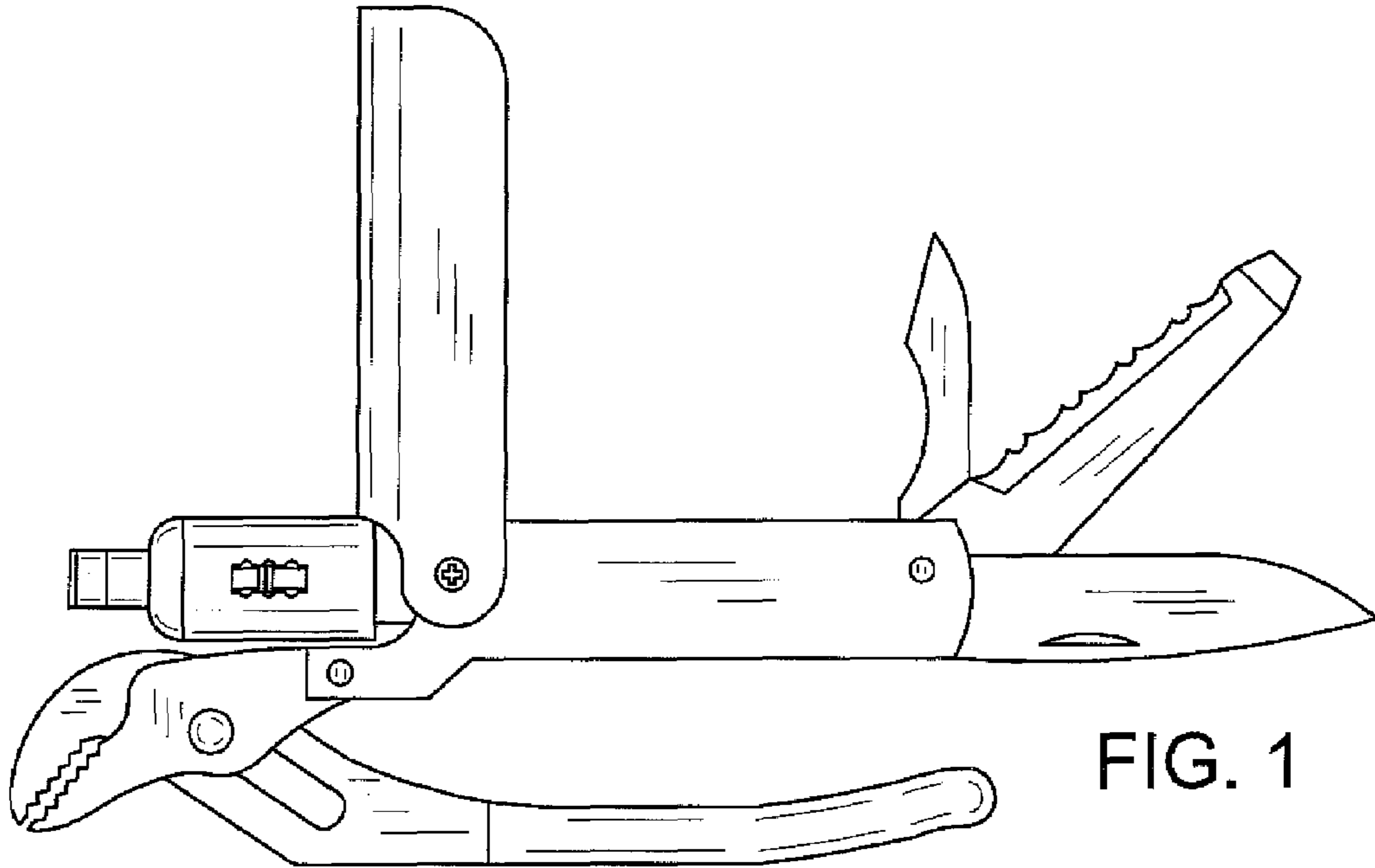


FIG. 1

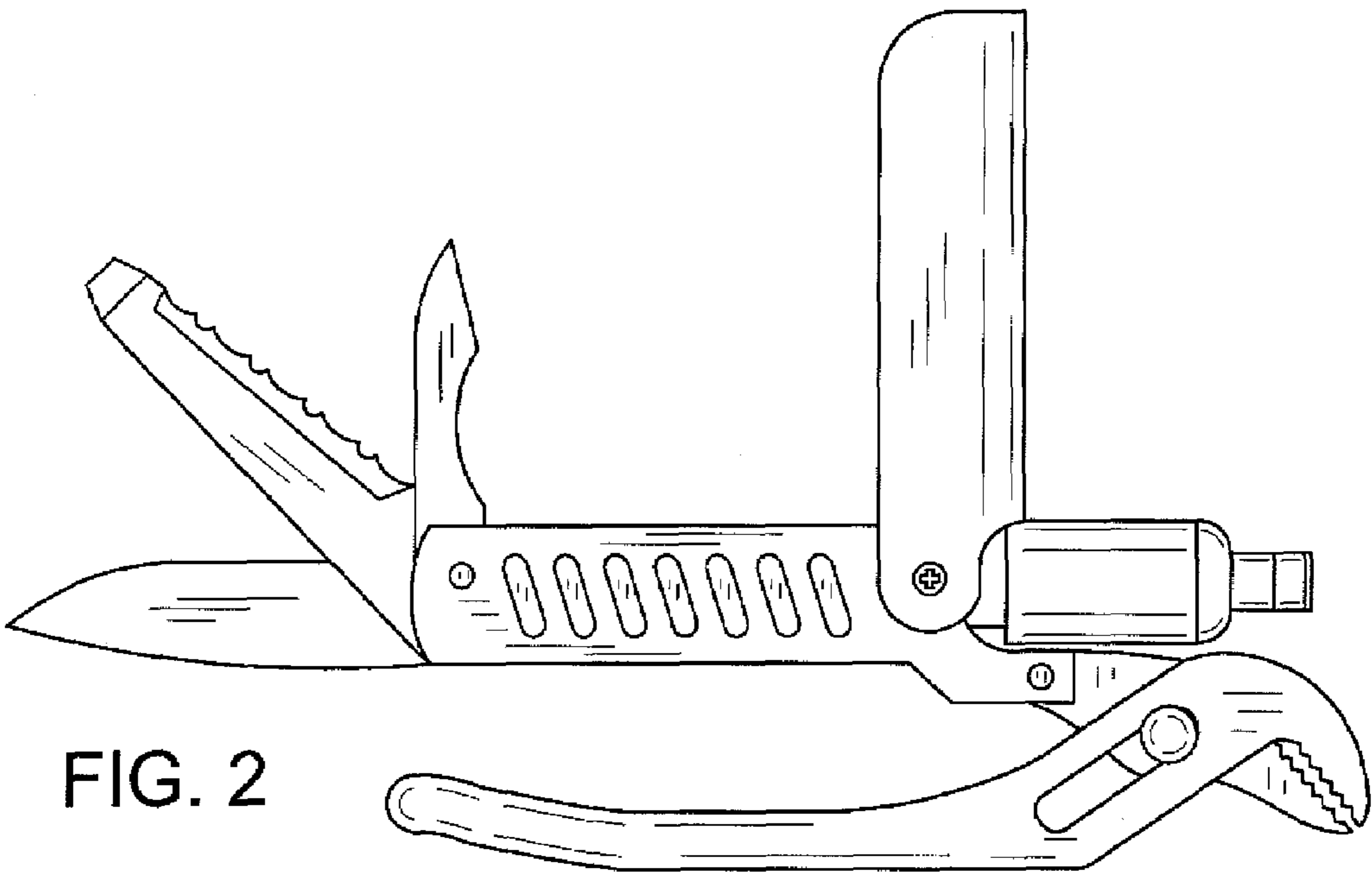


FIG. 2

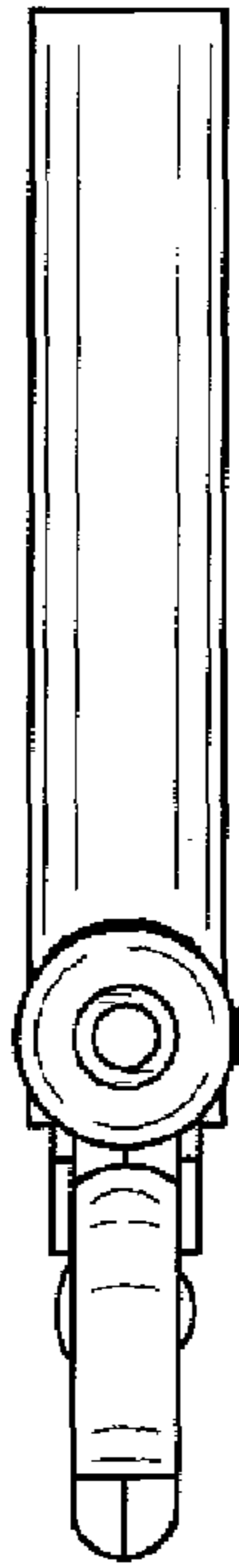


FIG. 3



FIG. 4

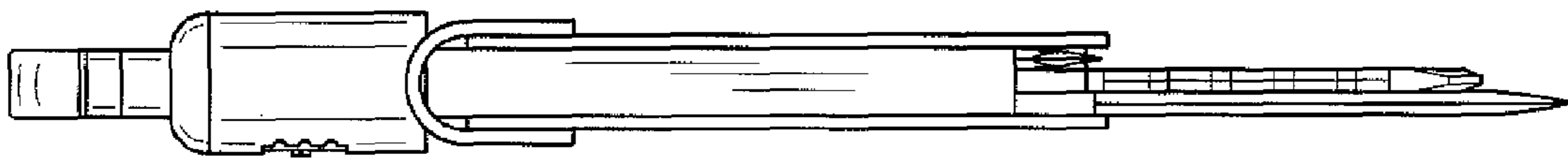


FIG. 5

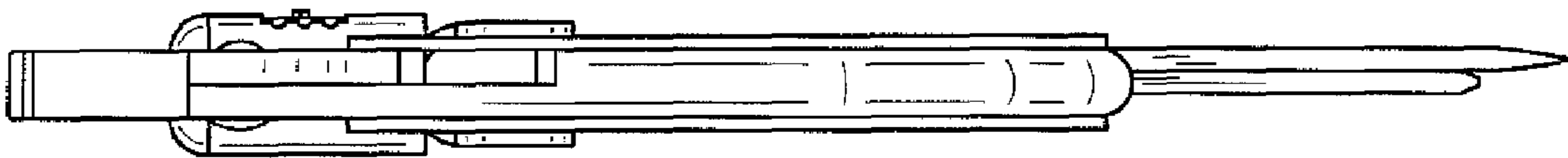


FIG. 6