



US00D577976S

(12) **United States Design Patent**
Reiter

(10) **Patent No.:** **US D577,976 S**

(45) **Date of Patent:** **** Oct. 7, 2008**

(54) **POWER DRILL FOR LOOSENING SOIL**

(76) Inventor: **John P. Reiter**, 6521 Stevens Ave.
South, Richfield, MN (US) 55432

(**) Term: **14 Years**

(21) Appl. No.: **29/304,224**

(22) Filed: **Feb. 27, 2008**

(51) **LOC (8) Cl.** **08-03**

(52) **U.S. Cl.** **D8/70**

(58) **Field of Classification Search** D8/70,
D8/71; D15/21, 28, 138, 139, 140; 33/169 R,
33/185 R, 334; 76/18 A, 18 R, 18 T; 81/DIG. 5;
125/40; 145/116 R; 175/40; 408/16, 144,
408/202, 210, 211, 212-214, 223, 225, 226,
408/241 R, 241 S

See application file for complete search history.

(56) **References Cited**

U.S. PATENT DOCUMENTS

- 1,525,235 A * 2/1925 Hansen 175/308
- D278,065 S * 3/1985 Sydlowski et al. D15/139
- 4,527,449 A * 7/1985 Sydlowski et al. 76/108.1
- 4,819,736 A * 4/1989 Hedgepeth 172/25

- 5,222,842 A * 6/1993 Schweikert et al. 407/53
- 5,354,156 A * 10/1994 von Haas et al. 408/223
- D394,663 S * 5/1998 Stone et al. D15/139

* cited by examiner

Primary Examiner—Sandra Snapp
Assistant Examiner—Patricia Palasik

(74) *Attorney, Agent, or Firm*—Alan Kamrath; Kamrath &
Associates PA

(57) **CLAIM**

The ornamental design for a power drill for loosening soil, as shown and described.

DESCRIPTION

FIG. 1 is a perspective view of a power drill accessory for loosening Soil showing my new design;

FIG. 2 is a front view thereof;

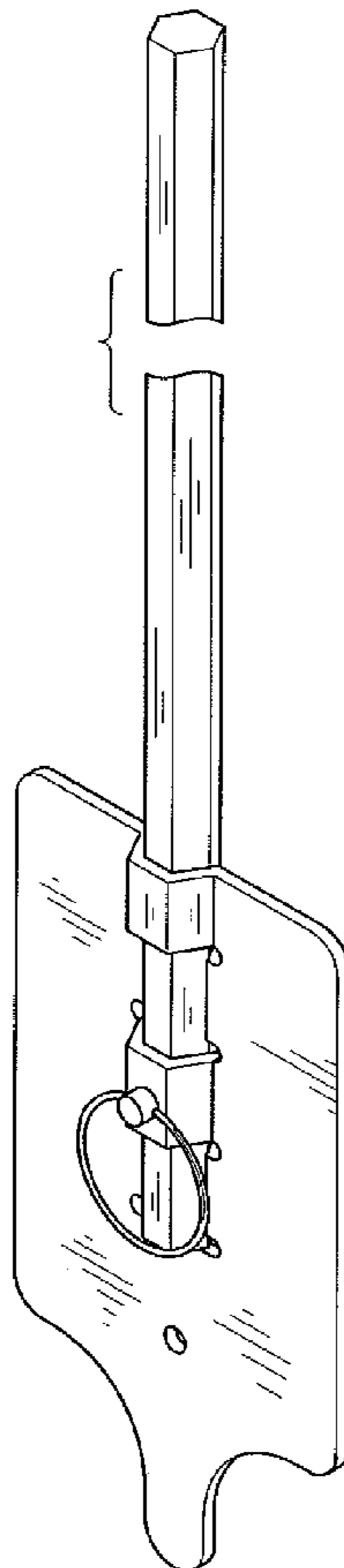
FIG. 3 is a rear view thereof;

FIG. 4 is a right view thereof the opposite side being a mirror image thereof;

FIG. 5 is a top view thereof; and,

FIG. 6 is a bottom view thereof.

1 Claim, 6 Drawing Sheets



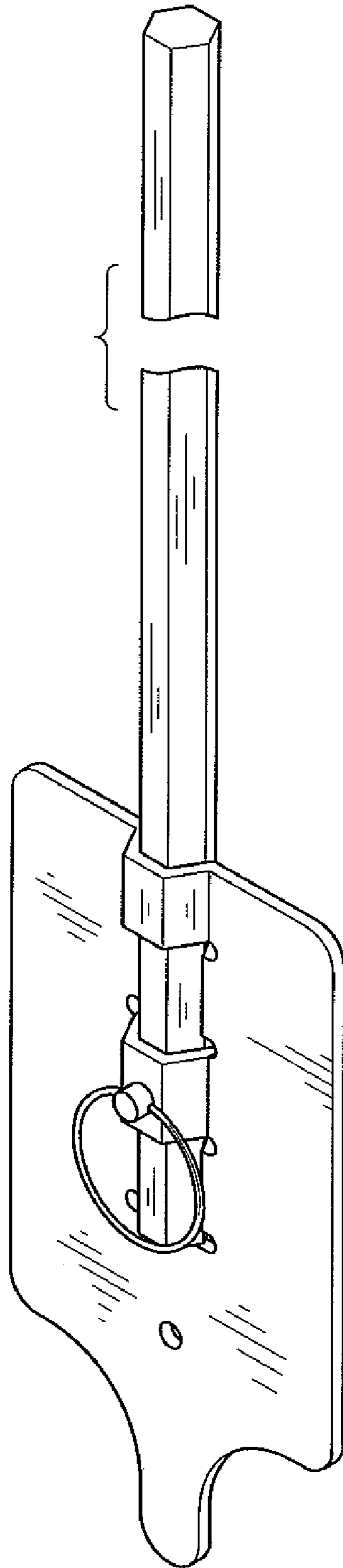


FIG. 1

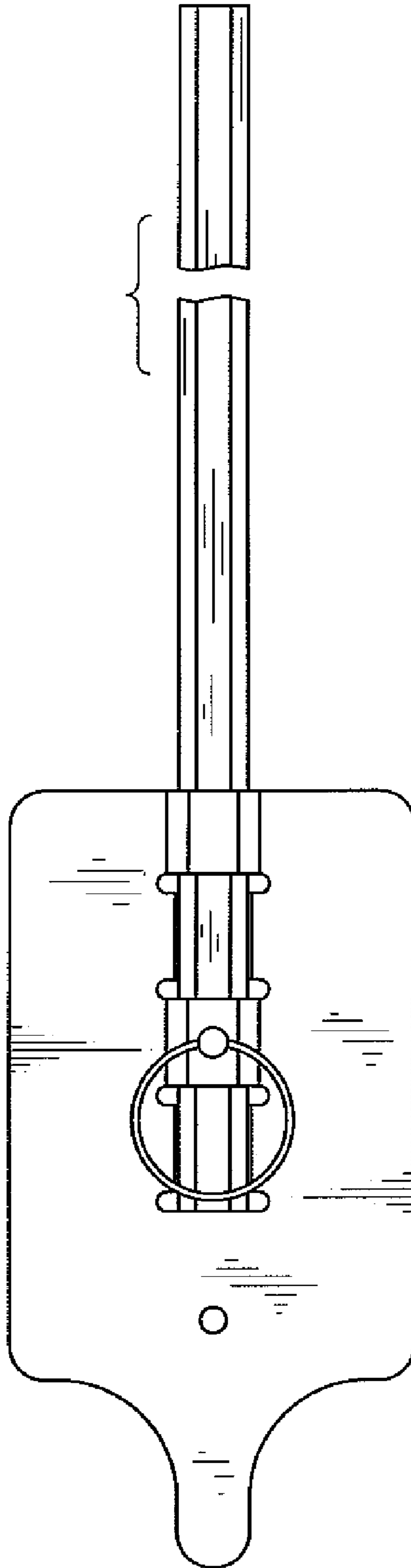


FIG. 2

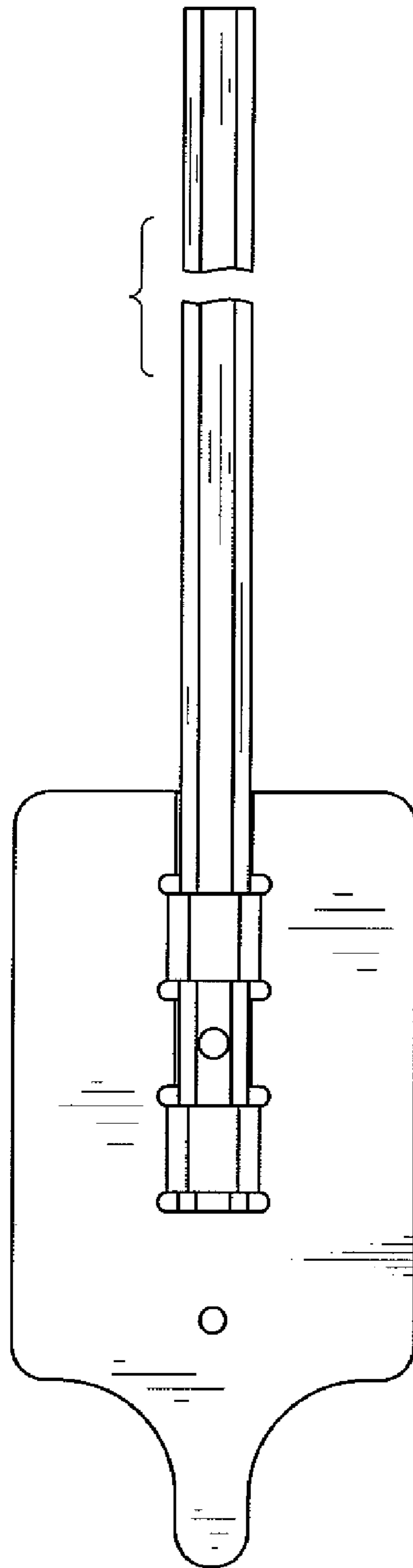


FIG. 3

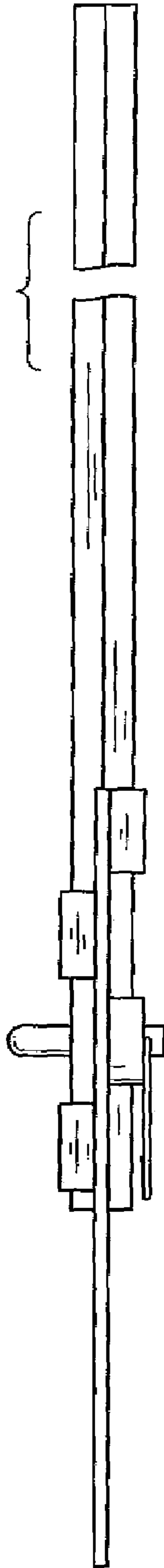


FIG. 4

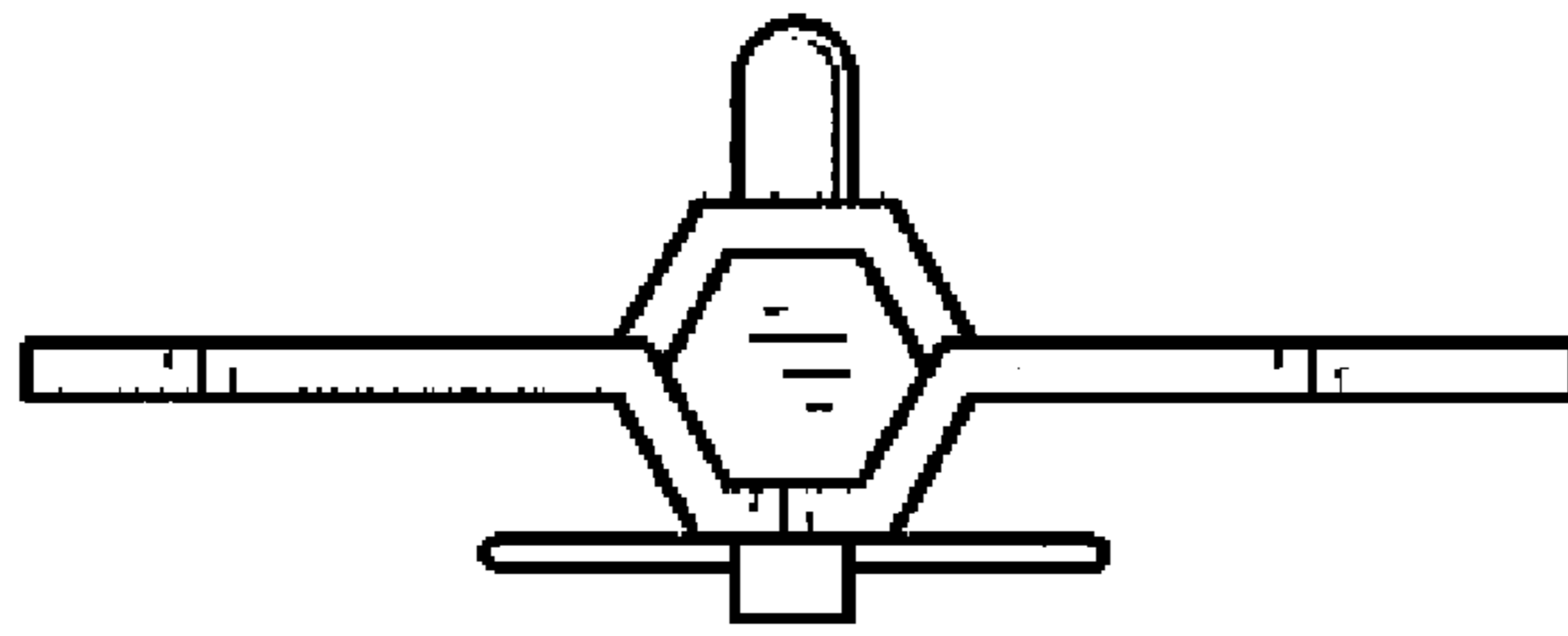


FIG. 5

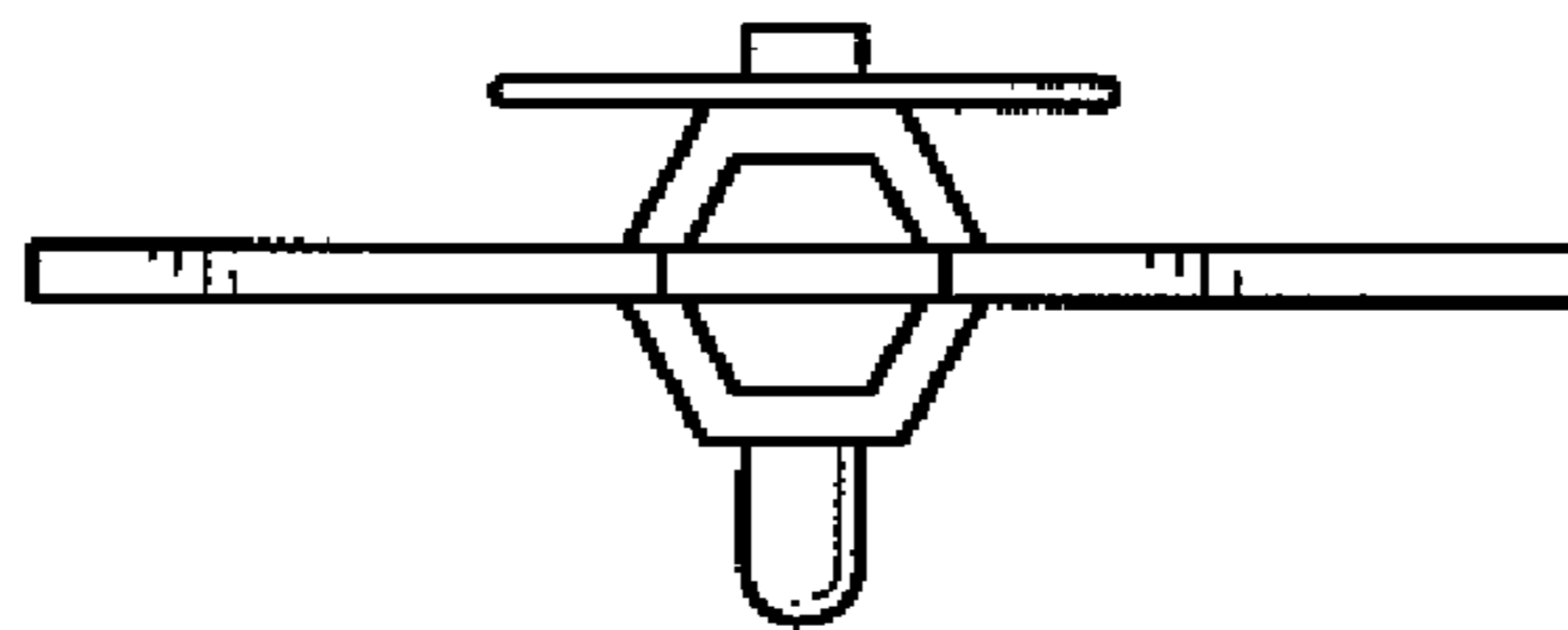


FIG. 6