



US00D577975S

(12) **United States Design Patent**  
**Bahler**

(10) **Patent No.:** **US D577,975 S**

(45) **Date of Patent:** **\*\* Oct. 7, 2008**

(54) **BED DEPTH GAUGE**

D400,453 S \* 11/1998 Holland ..... D10/65  
D426,235 S \* 6/2000 Phirippidis et al. .... D8/71  
D517,575 S \* 3/2006 Maschke ..... D15/133

(75) Inventor: **Philip J. Bahler**, Tolland, CT (US)

(73) Assignee: **Toolbros Innovators LLC**, South Windsor, CT (US)

(\*\*) Term: **14 Years**

\* cited by examiner

*Primary Examiner*—Gary D. Watson

*Assistant Examiner*—Patricia Palasik

(74) *Attorney, Agent, or Firm*—Ira S. Dorman

(21) Appl. No.: **29/294,520**

(57) **CLAIM**

(22) Filed: **Jan. 15, 2008**

The ornamental design for a bed depth gauge, as shown.

(51) **LOC (8) Cl.** ..... **08-01**

(52) **U.S. Cl.** ..... **D8/70**

(58) **Field of Classification Search** ..... D8/71  
See application file for complete search history.

**DESCRIPTION**

FIG. 1 is perspective view of a bed depth gauge embodying the present invention;

FIG. 2 is a front elevational view of the bed depth gauge;

FIG. 3 is a rear elevational view of the bed depth gauge;

FIG. 4 is a right side elevational view of the bed depth gauge;

FIG. 5 is a left side elevational view of the bed depth gauge;

FIG. 6 is a top plan view of the bed depth gauge; and,

FIG. 7 is a bottom view of the bed depth gauge.

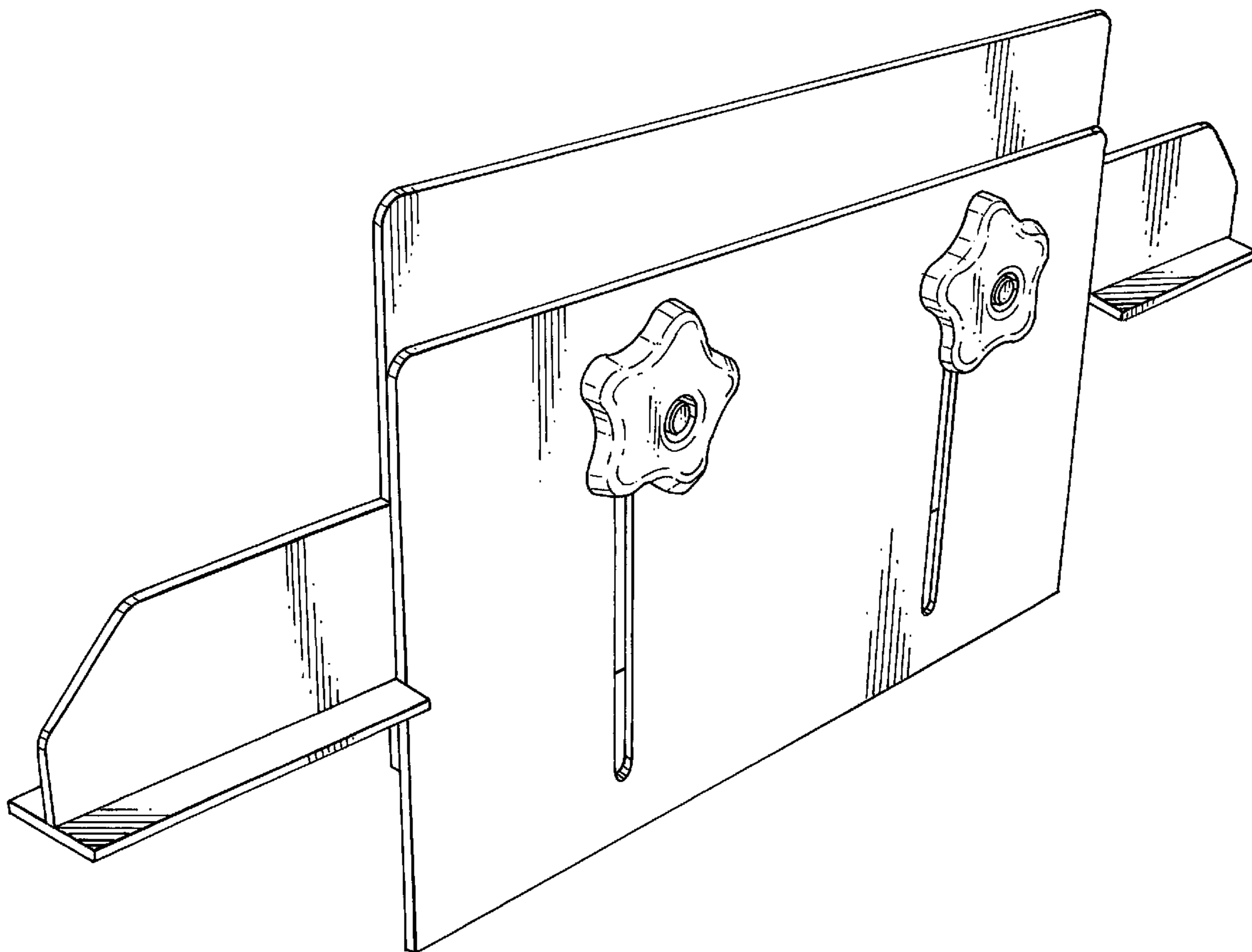
The broken line showing is included for illustrative purposes only and forms no part of the claimed design.

(56) **References Cited**

U.S. PATENT DOCUMENTS

209,399	A	*	10/1878	Hurlburh	.....	33/202
584,860	A	*	6/1897	Dowble	.....	33/202
1,222,188	A	*	4/1917	De Avilia	.....	33/202
1,361,677	A	*	12/1920	Brown	.....	33/202
2,112,432	A	*	3/1938	Baumann	.....	33/202
2,682,791	A	*	7/1954	Lahaie	.....	76/46
D325,177	S	*	4/1992	Vogrig	.....	D10/64
D336,253	S	*	6/1993	Economaki	.....	D10/64
D339,971	S	*	10/1993	Hatcher	.....	D8/71

**1 Claim, 5 Drawing Sheets**



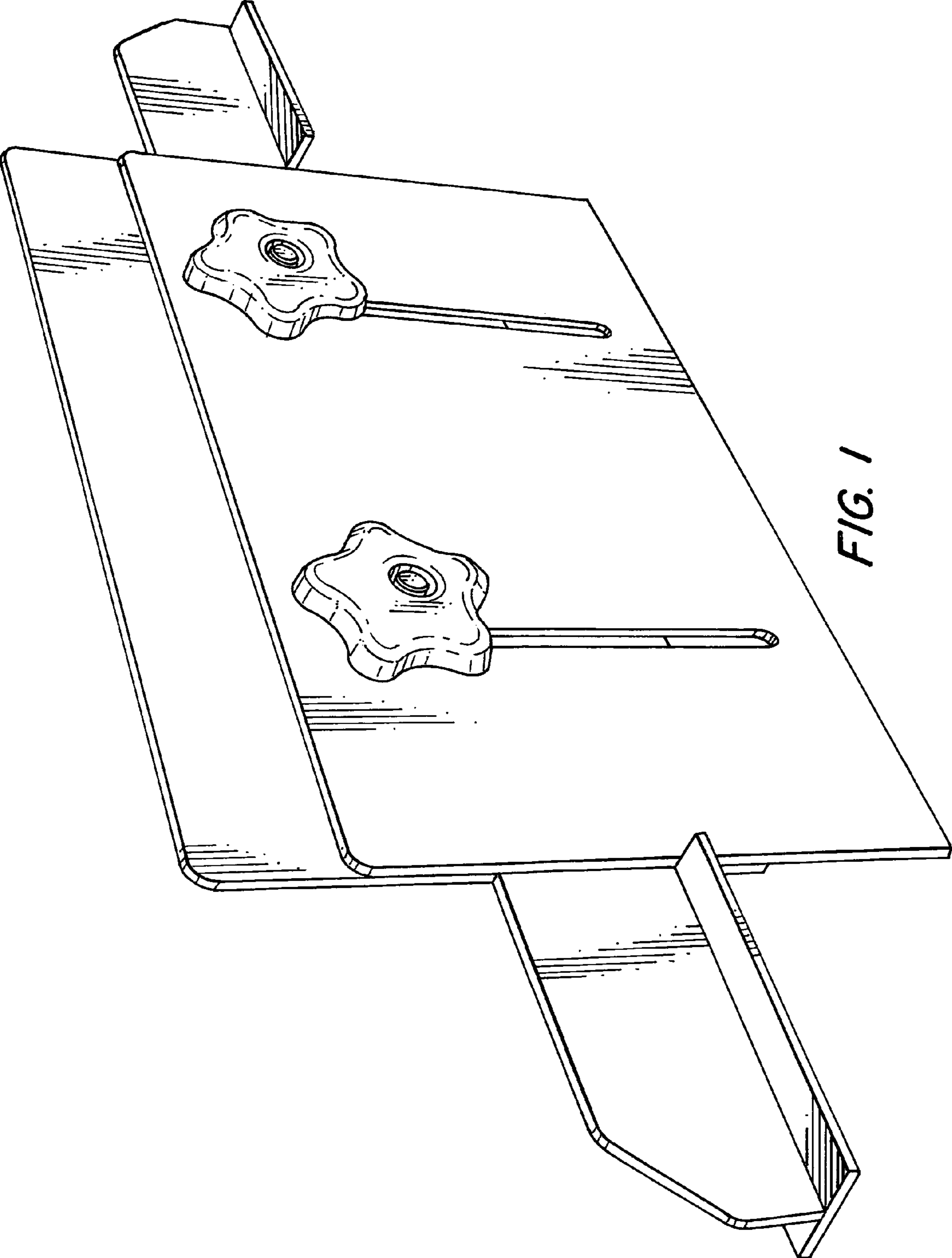


FIG. 1

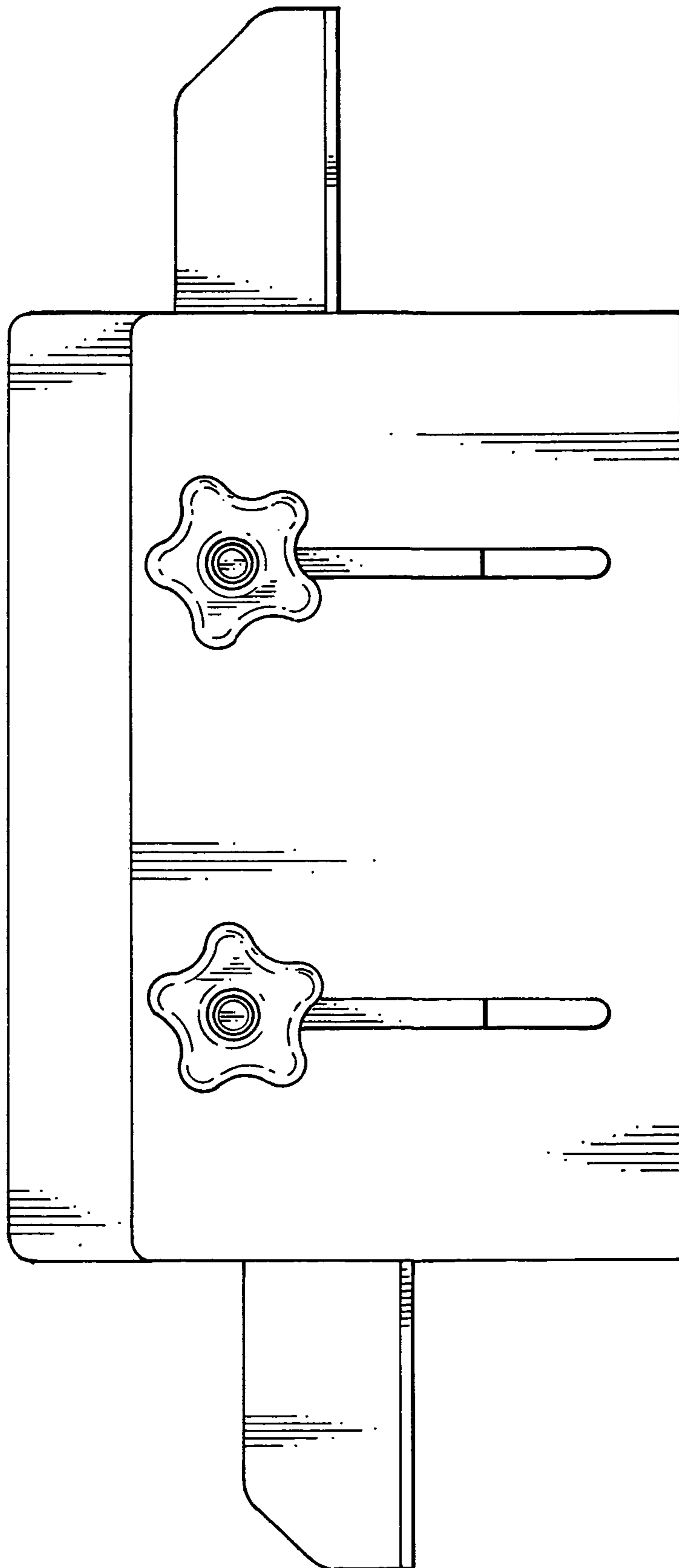


FIG. 2

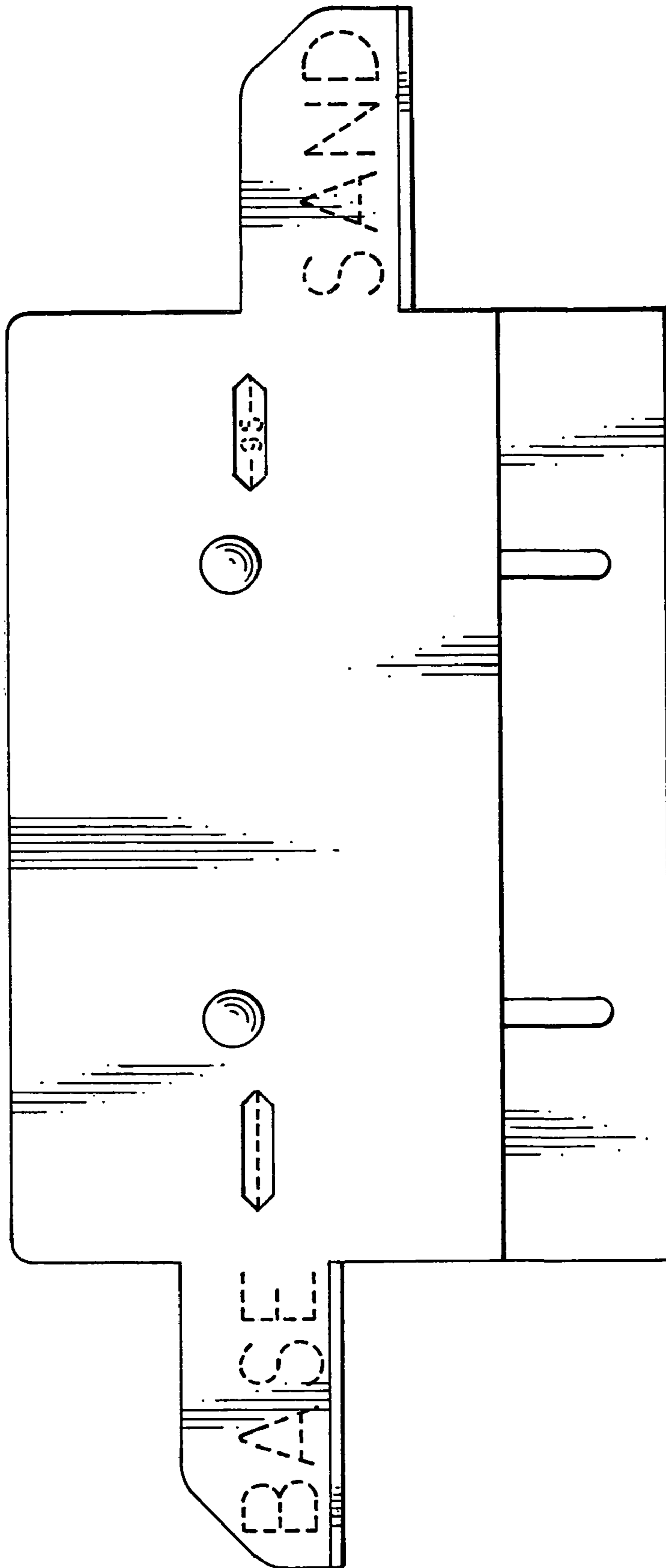
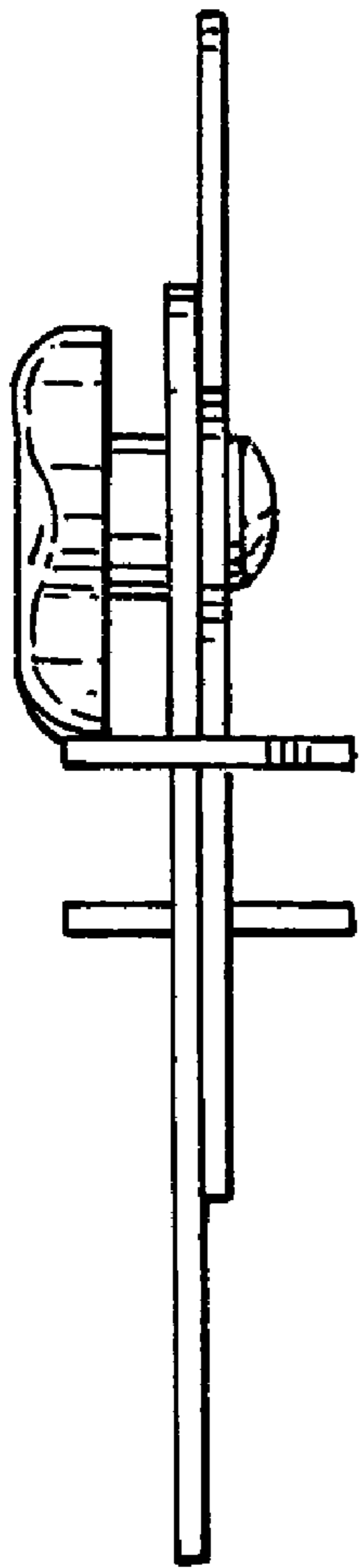
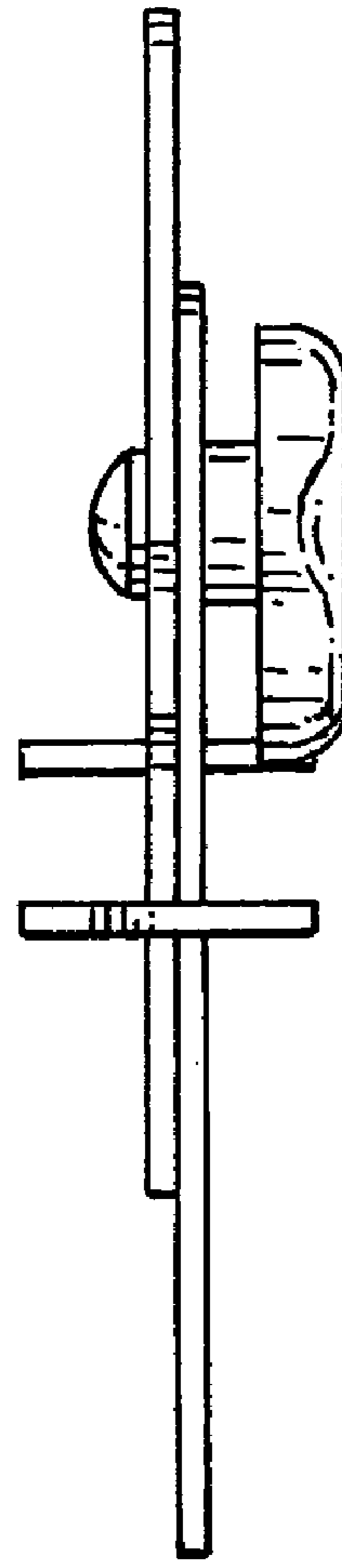


FIG. 3



*FIG. 4*



*FIG. 5*

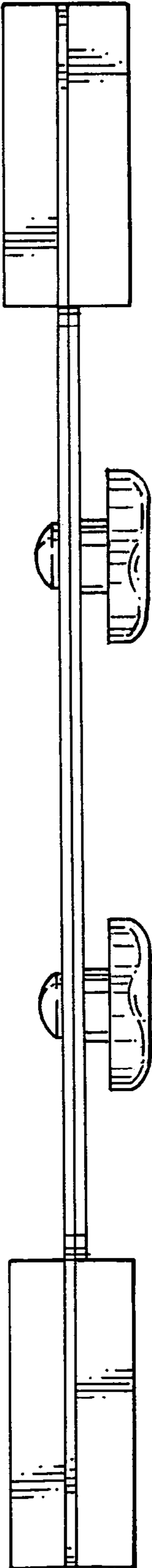


FIG. 6

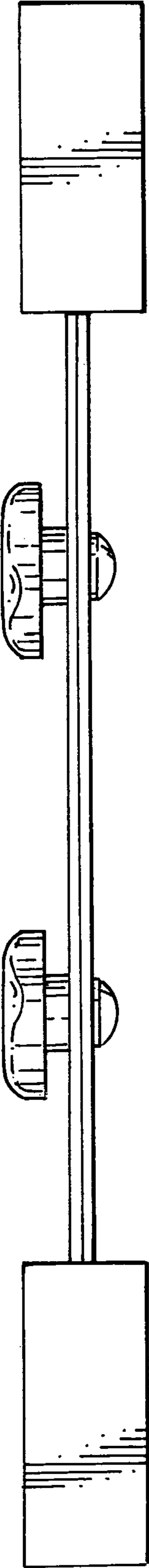


FIG. 7