



US00D577974S

(12) **United States Design Patent**
Miller

(10) **Patent No.:** **US D577,974 S**
(45) **Date of Patent:** **** Oct. 7, 2008**

(54) **TOOL HOUSING**

(75) Inventor: **Paul Miller**, Hughesdale (AU)

(73) Assignee: **Demain Technology Pty Ltd**, Braeside
Victoria (AU)

(**) Term: **14 Years**

(21) Appl. No.: **29/293,239**

(22) Filed: **Nov. 9, 2007**

(30) **Foreign Application Priority Data**

May 10, 2007 (AU) 17856/07

(51) **LOC (8) Cl.** **08-05**

(52) **U.S. Cl.** **D8/70; D6/61**

(58) **Field of Classification Search** D8/70,
D8/61, 62, 63, 64, 65, 66, 67, 68, 69, 71;
D15/140, 132, 133, 138, 139; 81/429; 279/60,
279/61, 62, 63, 64, 65, 66, 157, 901, 902;
408/56

See application file for complete search history.

(56) **References Cited**

U.S. PATENT DOCUMENTS

D391,820	S	*	3/1998	Bunyea	D8/61
D424,075	S	*	5/2000	Streich	D15/140
D429,262	S	*	8/2000	Streich	D15/140
D433,905	S	*	11/2000	Cooper	D8/61
D461,696	S	*	8/2002	Chunn et al.	D8/70
D474,086	S	*	5/2003	Heun	D8/61
D514,417	S	*	2/2006	Watson et al.	D8/70
D532,271	S	*	11/2006	Yaksich	D8/70
D540,645	S	*	4/2007	Yaksich	D8/70
D542,814	S	*	5/2007	Concari	D15/140
D555,181	S	*	11/2007	Hu	D15/140
D562,099	S	*	2/2008	Hu	D8/70
D563,187	S	*	3/2008	Hu	D8/70

D563,188	S	*	3/2008	Hu	D8/70
D565,376	S	*	4/2008	Hu	D8/70
D565,377	S	*	4/2008	Hu	D8/70
D567,617	S	*	4/2008	Zhou	D8/70
D569,208	S	*	5/2008	Concari	D8/70
2007/0283792	A1	*	12/2007	Yamada	81/429

FOREIGN PATENT DOCUMENTS

WO	WO 2007/106952	A1	9/2007
WO	WO 2007/121533	A1	11/2007

* cited by examiner

Primary Examiner—Cathron Brooks

Assistant Examiner—Austin Murphy

(74) *Attorney, Agent, or Firm*—Patterson, Thunte, Skaar & Christensen P.A.

(57) **CLAIM**

I claim the ornamental design for tool housing, as shown and described.

DESCRIPTION

FIG. 1 is a front perspective view of a tool housing according to a first embodiment of the invention;

FIG. 2 is a rear perspective view of the tool housing depicted in FIG. 1;

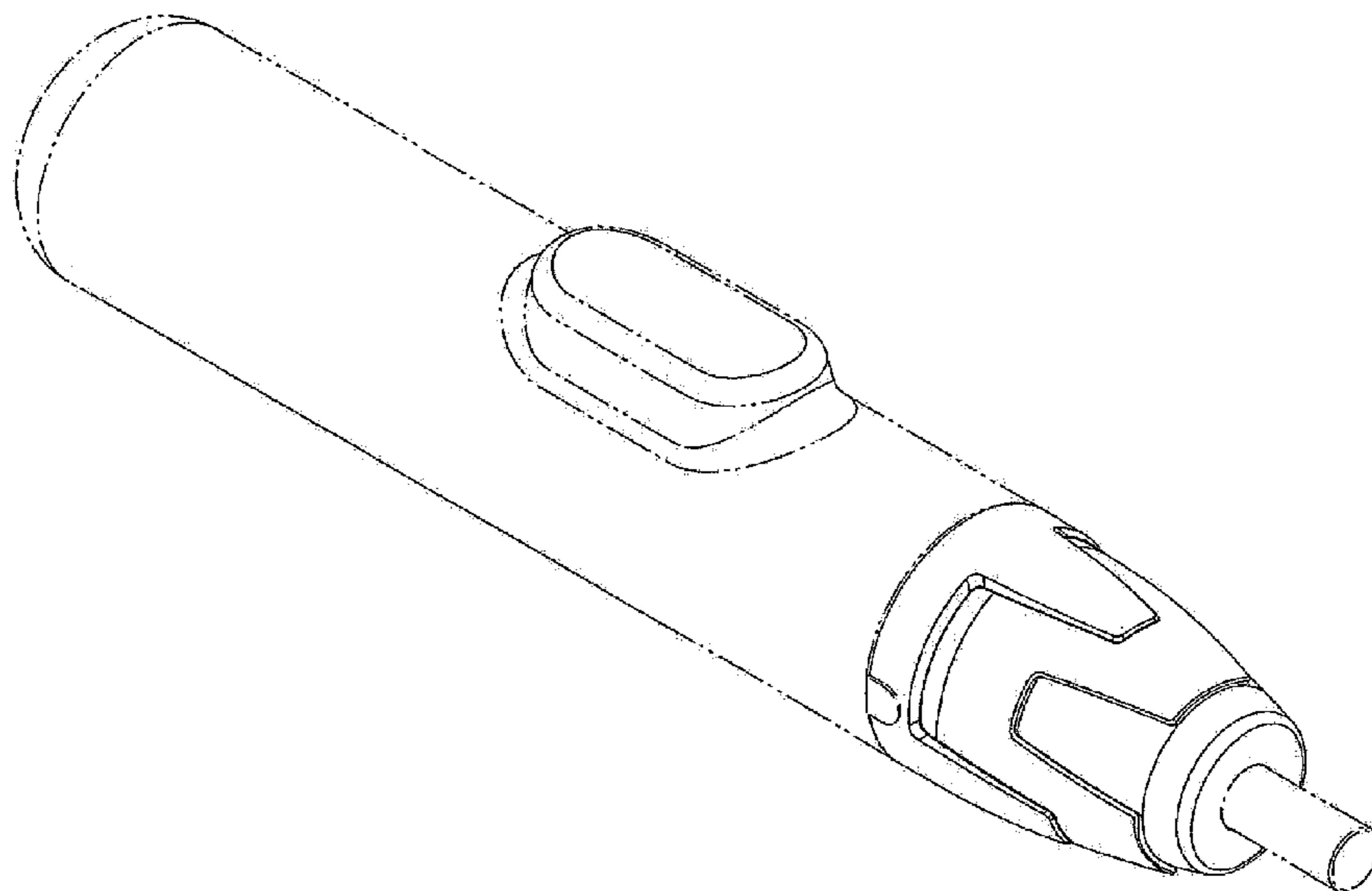
FIG. 3 is a side elevation view of the tool housing depicted in FIG. 1;

FIG. 4 is a top plan view of the tool housing depicted in FIG. 1; and,

FIG. 5 is a front elevation view of the tool housing depicted in FIG. 1.

The broken line depiction of structure is included for the purpose of illustrating environment and forms no part of the claimed design.

1 Claim, 3 Drawing Sheets



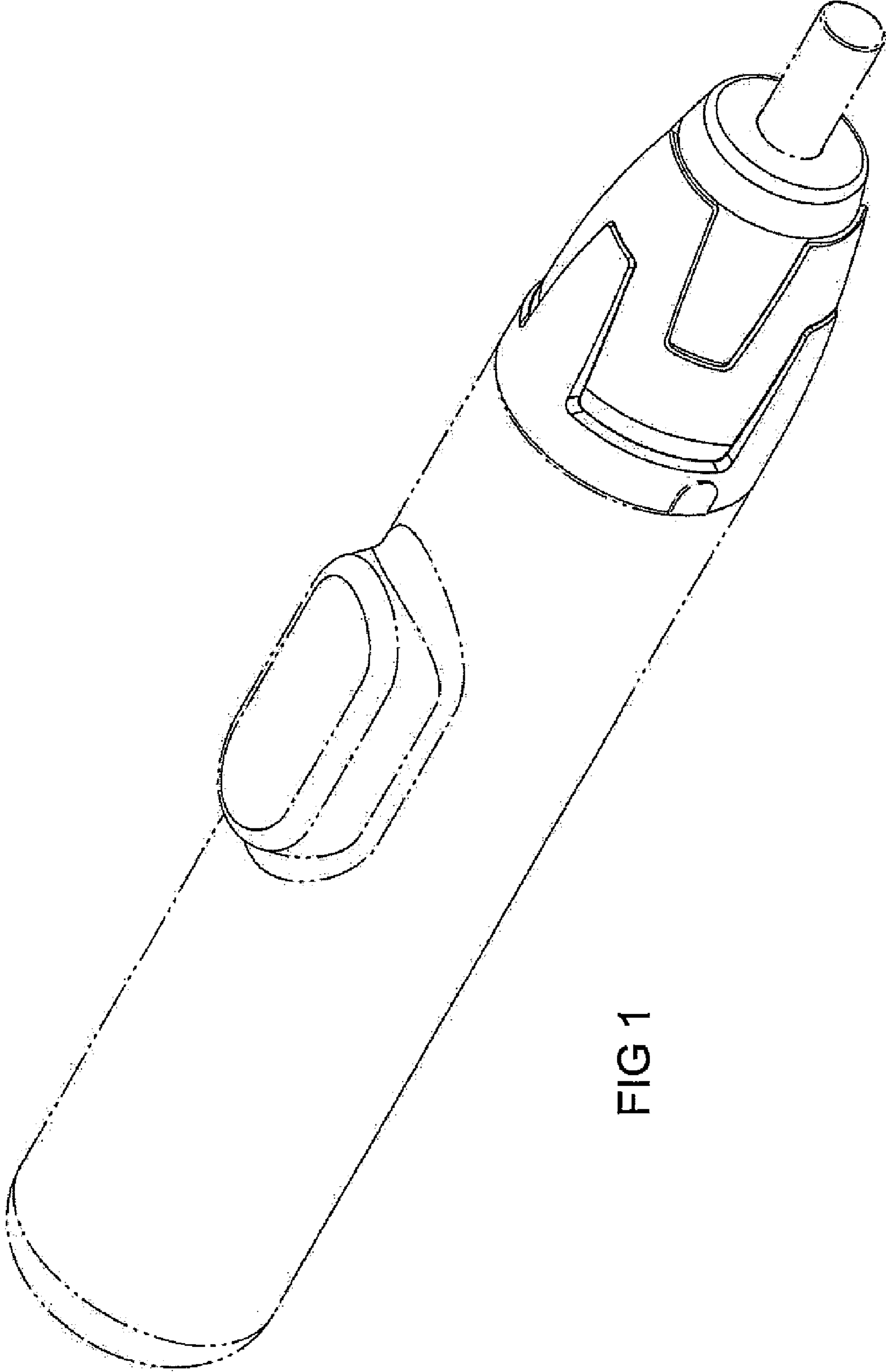


FIG 1

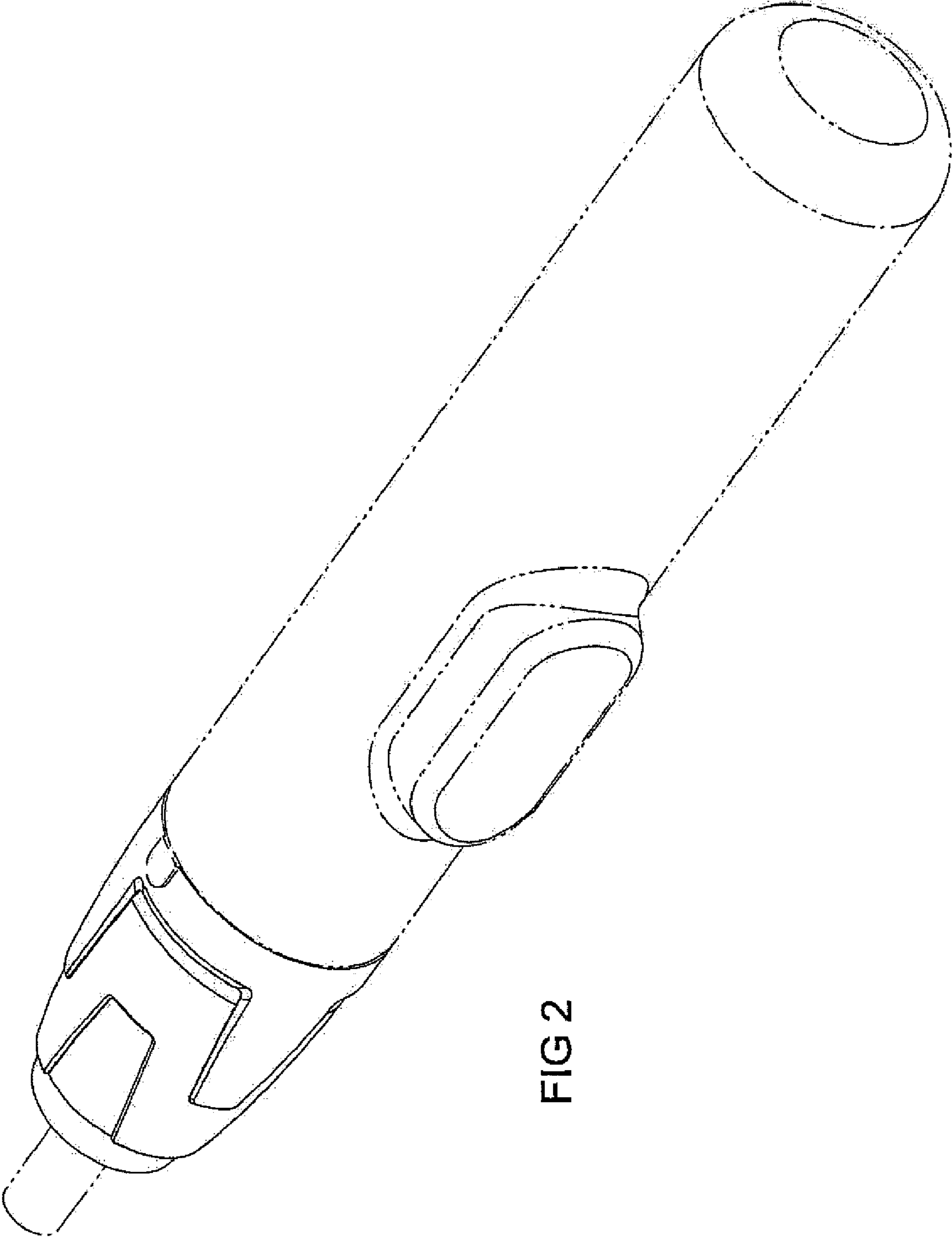


FIG 2

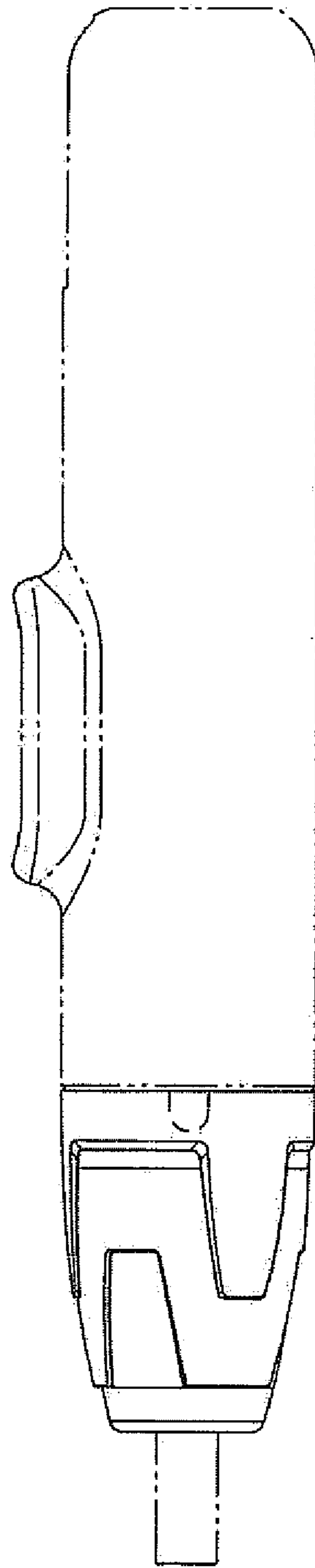


FIG 3

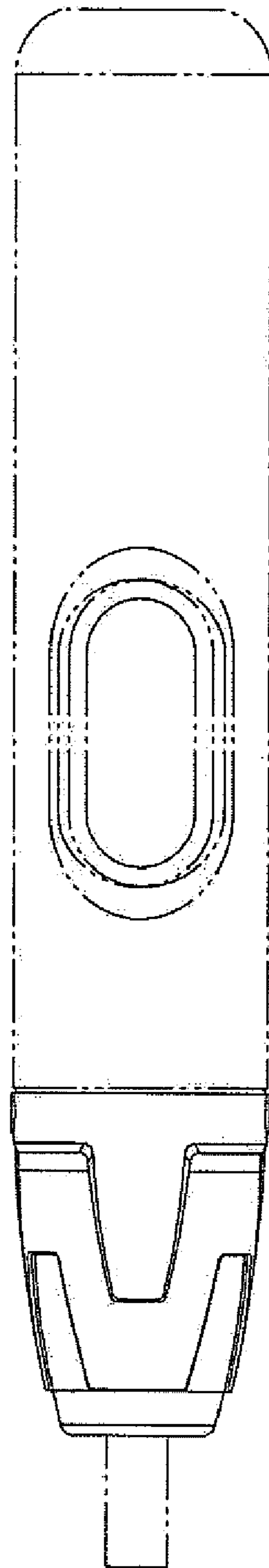


FIG 4

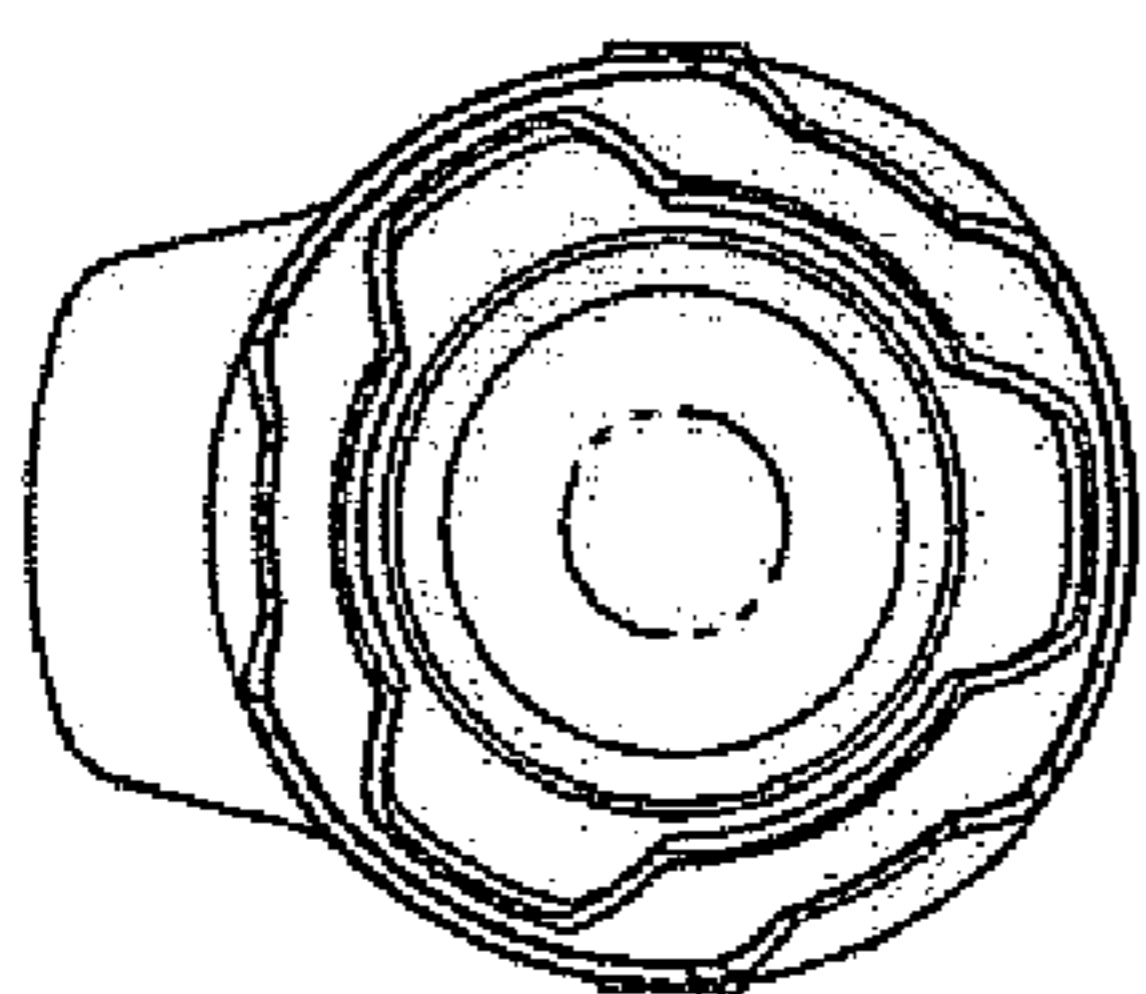


FIG 5