



US00D577973S

(12) **United States Design Patent**  
**Wright**

(10) **Patent No.:** **US D577,973 S**

(45) **Date of Patent:** **\*\* Oct. 7, 2008**

(54) **DRILL**

(75) Inventor: **Stuart J. Wright**, Timonium, MD (US)

(73) Assignee: **Black & Decker Inc.**, Newark, DE (US)

(\*\*) Term: **14 Years**

(21) Appl. No.: **29/279,107**

(22) Filed: **Apr. 19, 2007**

**Related U.S. Application Data**

(63) Continuation-in-part of application No. 29/248,957, filed on Sep. 12, 2006, now abandoned.

(51) **LOC (8) Cl.** ..... **08-01**

(52) **U.S. Cl.** ..... **D8/68**

(58) **Field of Classification Search** ..... D8/14.1,  
D8/61-70; 81/57.11, 429, 454-456, 469,  
81/489; 173/13, 104, 114, 168-171, 178,  
173/201, 211, 213, 217; 408/20, 124, 125,  
408/234, 241 R; 451/358; 310/50; 227/8,  
227/113, 114, 120, 130, 136, 142  
See application file for complete search history.

(56) **References Cited**

**U.S. PATENT DOCUMENTS**

3,724,237	A *	4/1973	Wood	408/20
4,440,238	A *	4/1984	Sauerwein et al.	173/170
D280,883	S	10/1985	Sakamoto et al.	
D304,287	S *	10/1989	Zurwelle	D8/68
D316,021	S	4/1991	Bunyea	
D326,400	S	5/1992	Fushiya et al.	
D344,000	S *	2/1994	Shibata et al.	D8/68
D353,526	S	12/1994	Hoshino	
5,372,206	A *	12/1994	Sasaki et al.	173/178
D394,995	S *	6/1998	Cooper	D8/68
D396,395	S	7/1998	Zurwelle	
D400,074	S *	10/1998	Cooper	D8/68
D400,415	S	11/1998	Zurwelle	
D400,416	S	11/1998	Zurwelle	
D403,565	S	1/1999	Chung	
D406,740	S	3/1999	Zurwelle	
D406,742	S	3/1999	Schoen et al.	

5,893,685	A *	4/1999	Olson et al.	81/439
5,984,022	A *	11/1999	Harman et al.	173/178
6,007,277	A *	12/1999	Olson et al.	408/124
D439,123	S	3/2001	Sakai et al.	
D441,268	S	5/2001	Heun	
D452,639	S	1/2002	Zurwelle	
D466,386	S	12/2002	Zurwelle	
D467,781	S *	12/2002	Kunz et al.	D8/68
D470,027	S *	2/2003	Chunn et al.	D8/68
D470,378	S	2/2003	Chunn et al.	
D470,737	S	2/2003	Chunn et al.	
D482,254	S	11/2003	Tsuzki et al.	
D486,049	S	2/2004	Sugiura et al.	
D490,677	S	6/2004	Chung et al.	
D494,033	S	8/2004	Thomas et al.	
D496,573	S *	9/2004	Cooper	D8/68
D496,574	S	9/2004	Sakai et al.	
D497,786	S *	11/2004	Concari	D8/68
D498,400	S	11/2004	Wu	
D500,653	S *	1/2005	Concari	D8/68
D502,376	S	3/2005	Andriolo	

(Continued)

*Primary Examiner*—T. Chase Nelson

(74) *Attorney, Agent, or Firm*—Michael P. Leary; Adan Ayala

(57) **CLAIM**

The ornamental design for a drill, as shown and described.

**DESCRIPTION**

FIG. 1 is a left/front perspective view of a drill showing my new design.

FIG. 2 is a right side view thereof.

FIG. 3 is a left side view thereof.

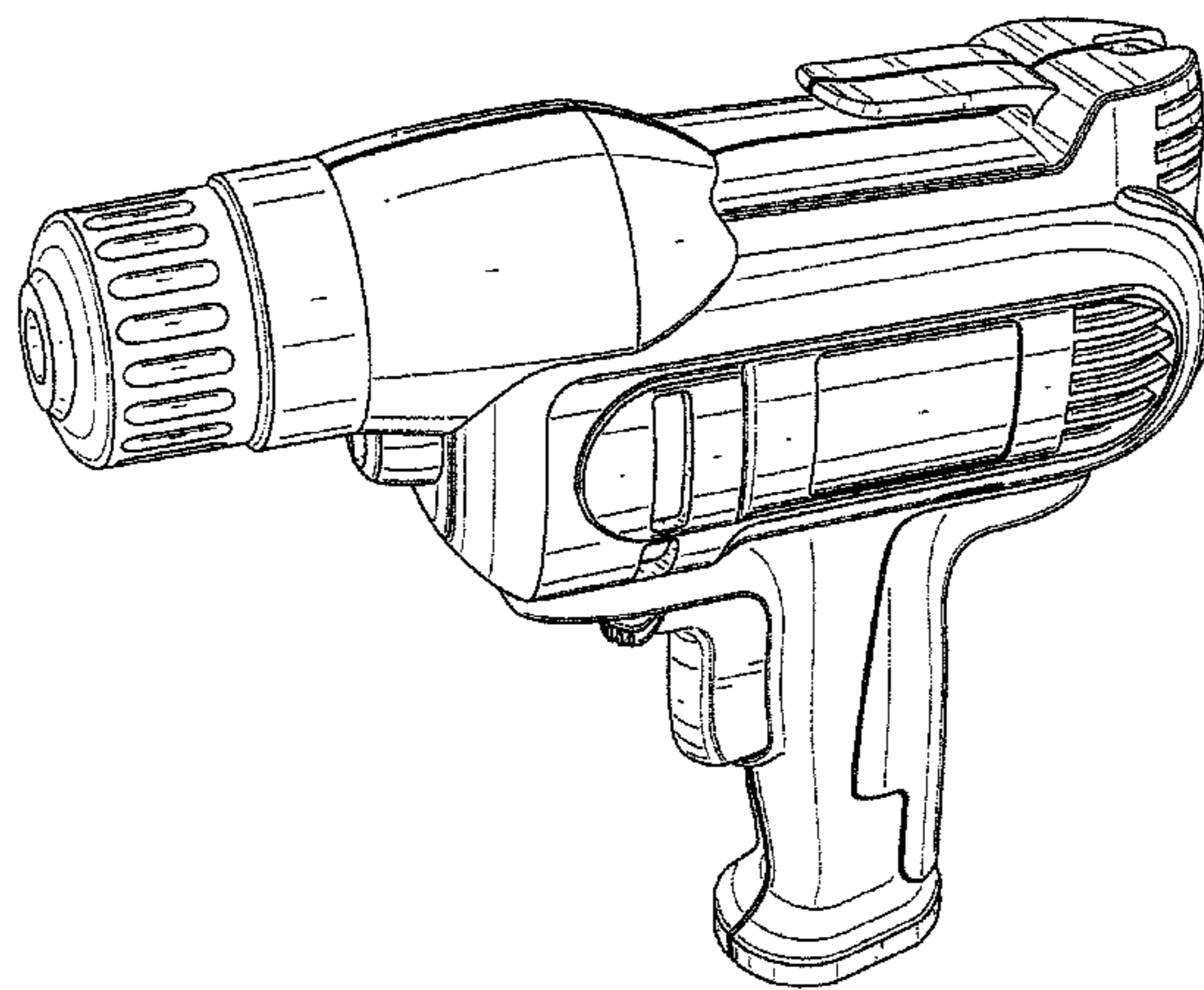
FIG. 4 is a top view thereof.

FIG. 5 is a bottom view thereof.

FIG. 6 is a front view thereof; and,

FIG. 7 is a rear view thereof.

**1 Claim, 5 Drawing Sheets**



# US D577,973 S

Page 2

---

## U.S. PATENT DOCUMENTS

D507,952 S	8/2005	Wu	D531,874 S	11/2006	Wu
D513,951 S	1/2006	Chung et al.	7,134,510 B2 *	11/2006	Justis et al. .... 173/170
D520,320 S	5/2006	Corcoran	D533,419 S	12/2006	Aglassinger
D520,833 S	5/2006	Andriolo	D533,420 S	12/2006	Waldron
D521,338 S	5/2006	Wai	D534,403 S *	1/2007	Concari ..... D8/68
7,077,218 B2 *	7/2006	Justis et al. .... 173/217	D535,860 S *	1/2007	Cooper ..... D8/68
D525,847 S	8/2006	Feldmann et al.	2003/0165366 A1 *	9/2003	Bennage et al. .... 408/241 R
D526,178 S	8/2006	Alias	2005/0257945 A1 *	11/2005	Justis et al. .... 173/217

\* cited by examiner

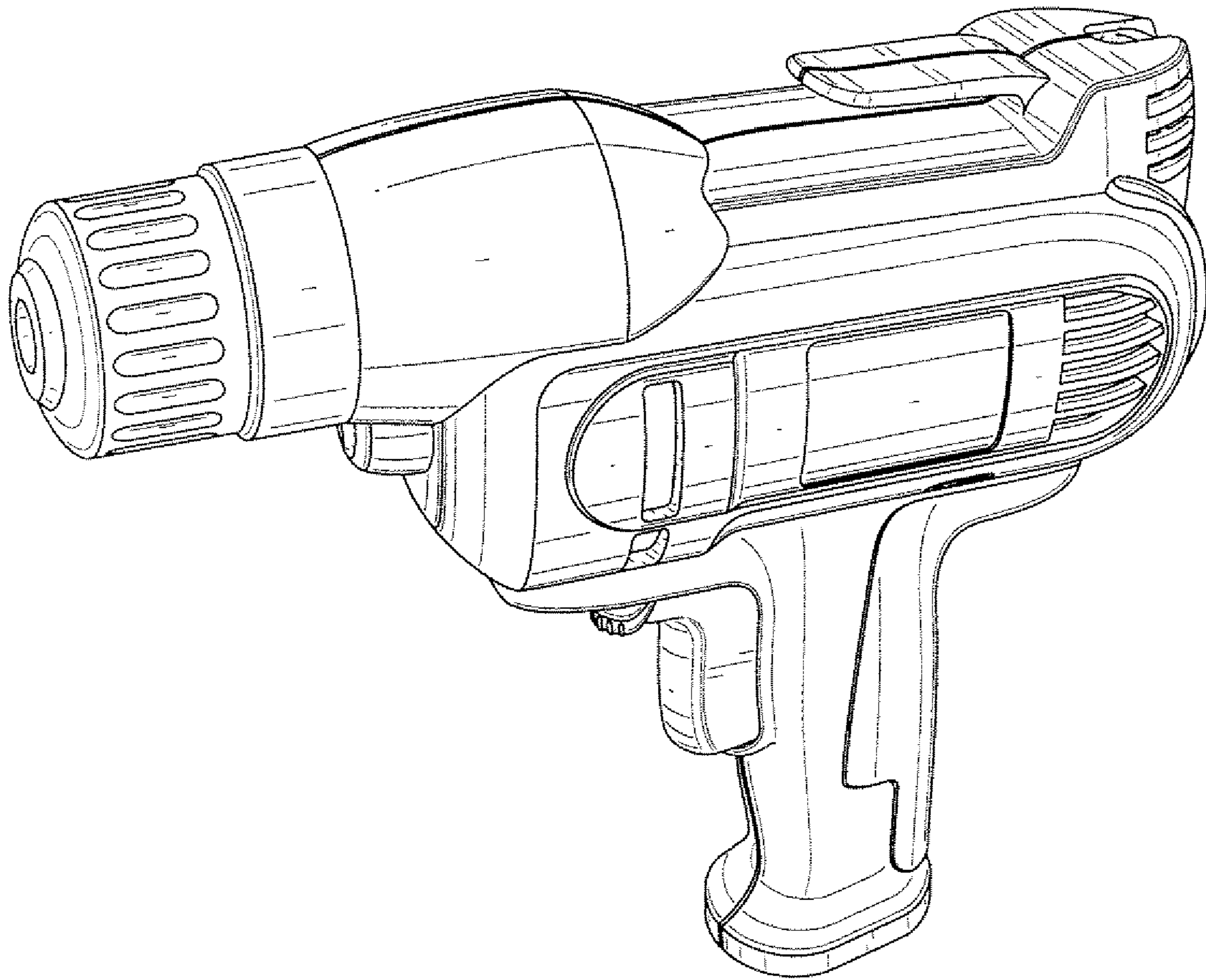


FIG. 1

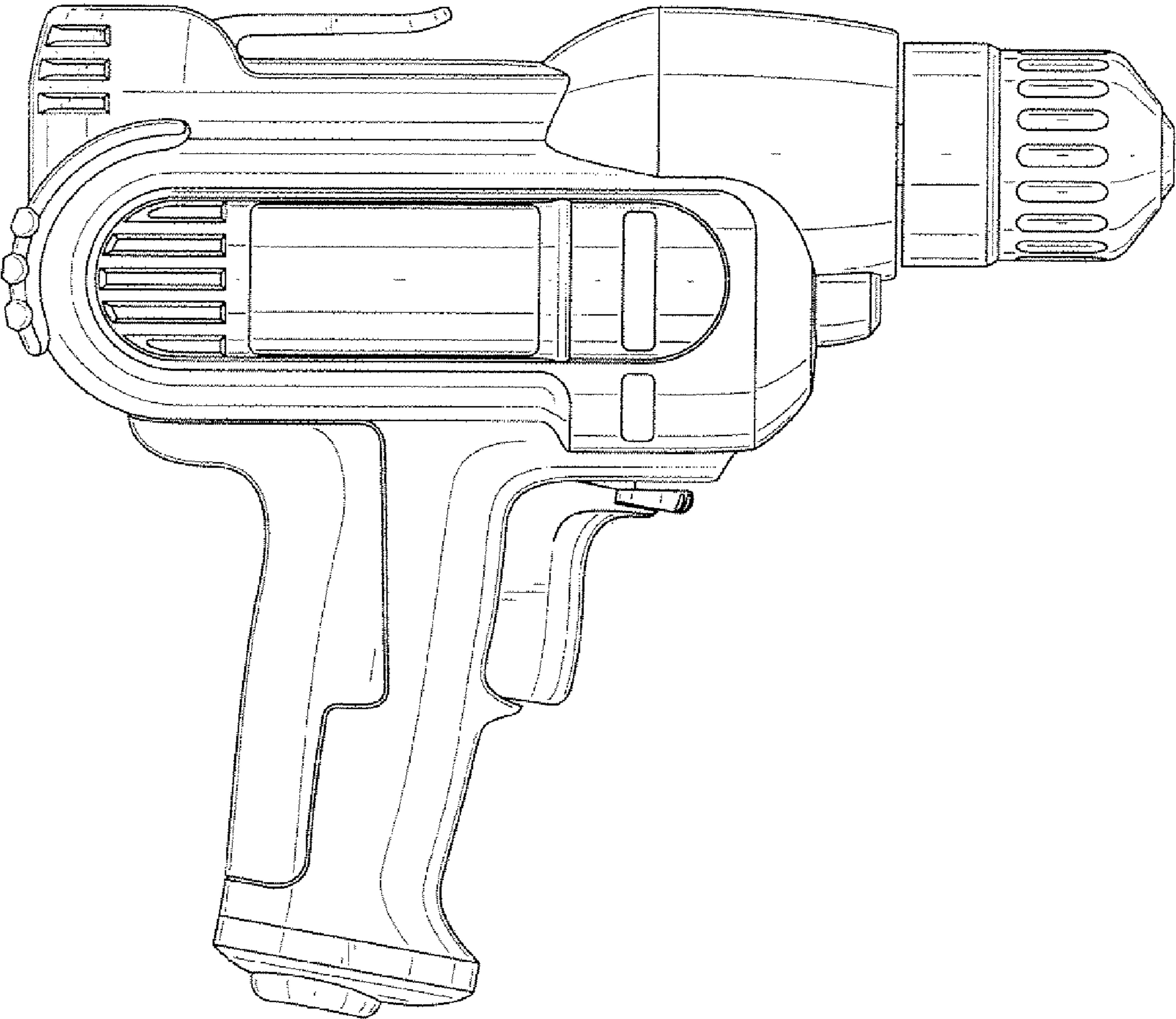


FIG. 2

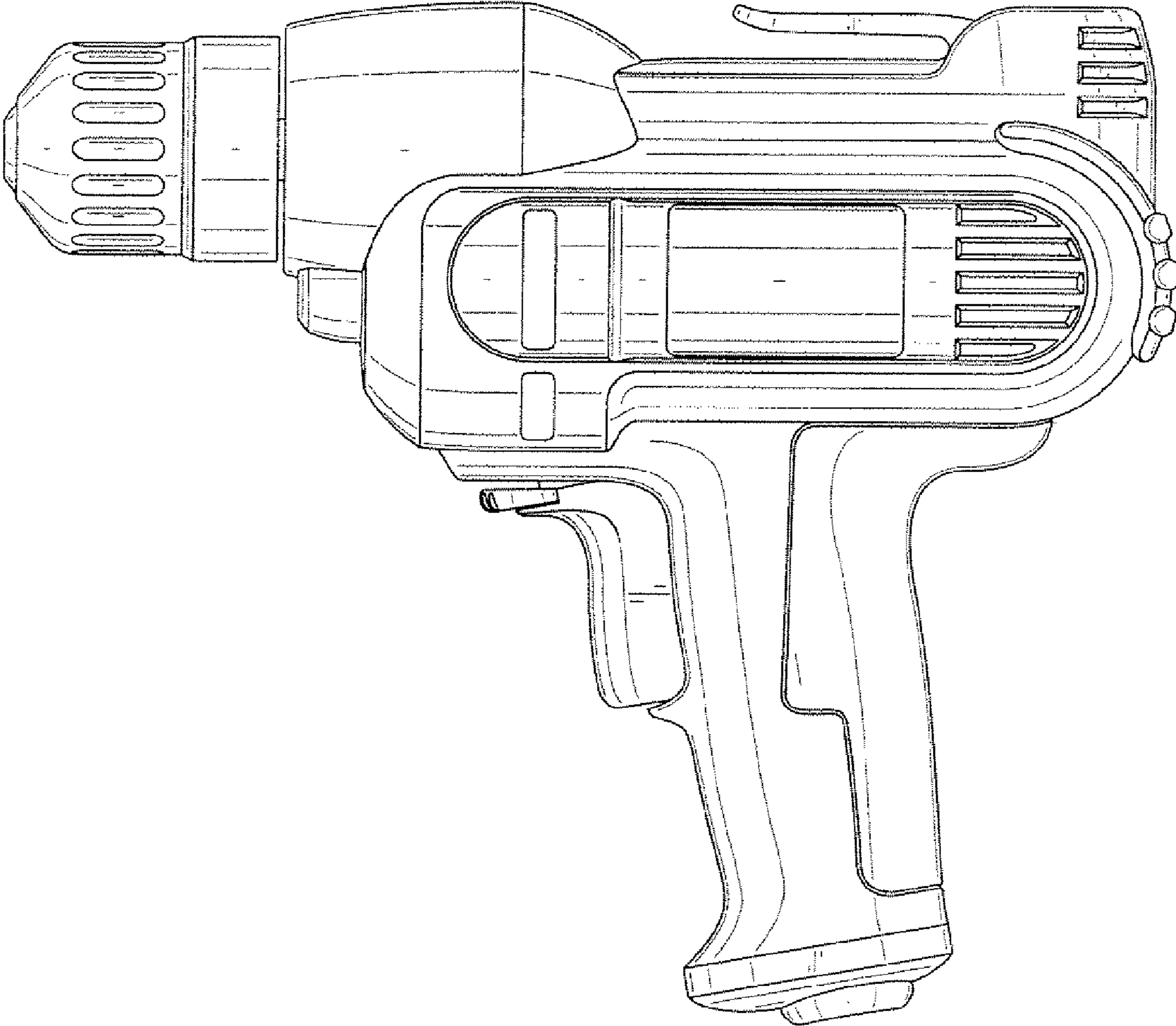


FIG. 3

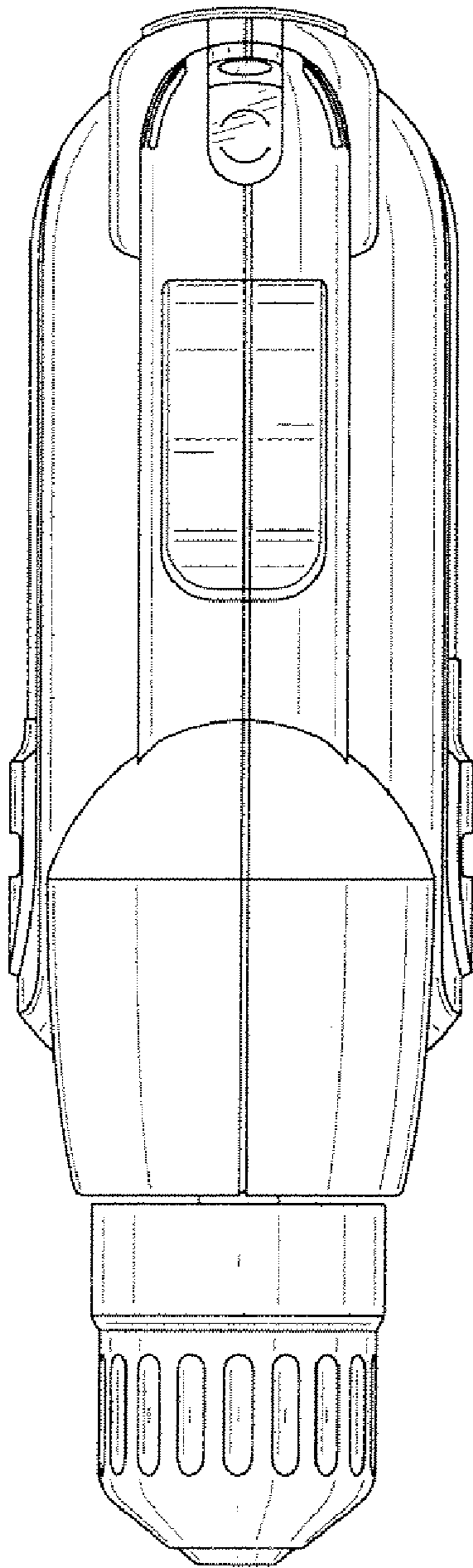


FIG. 4

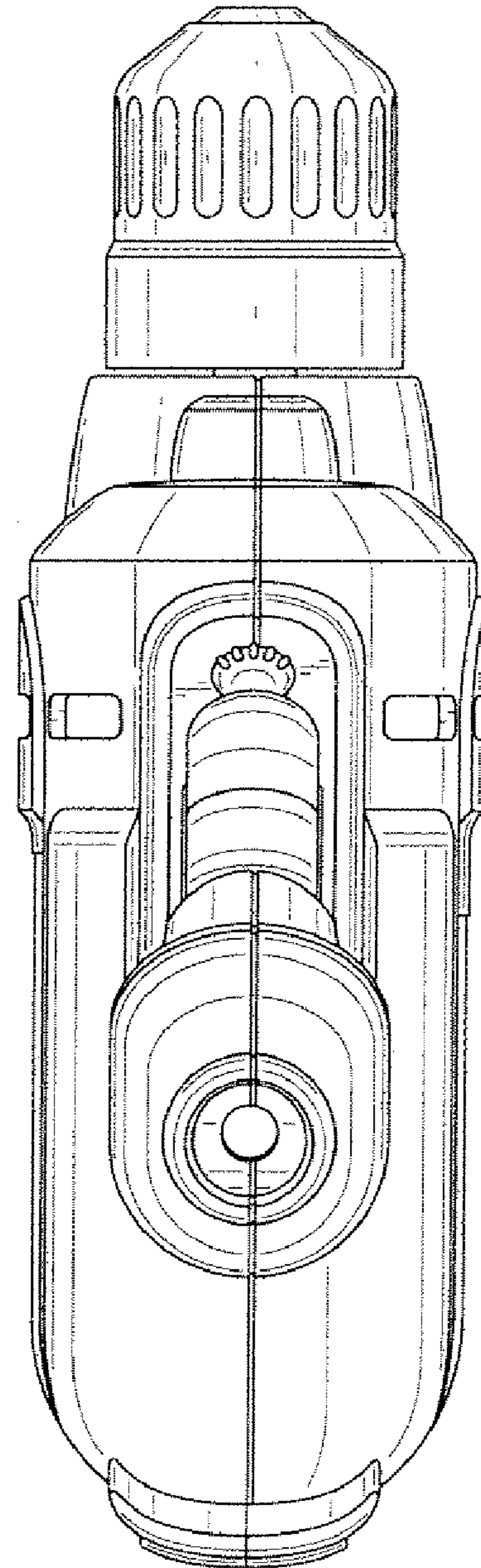


FIG. 5

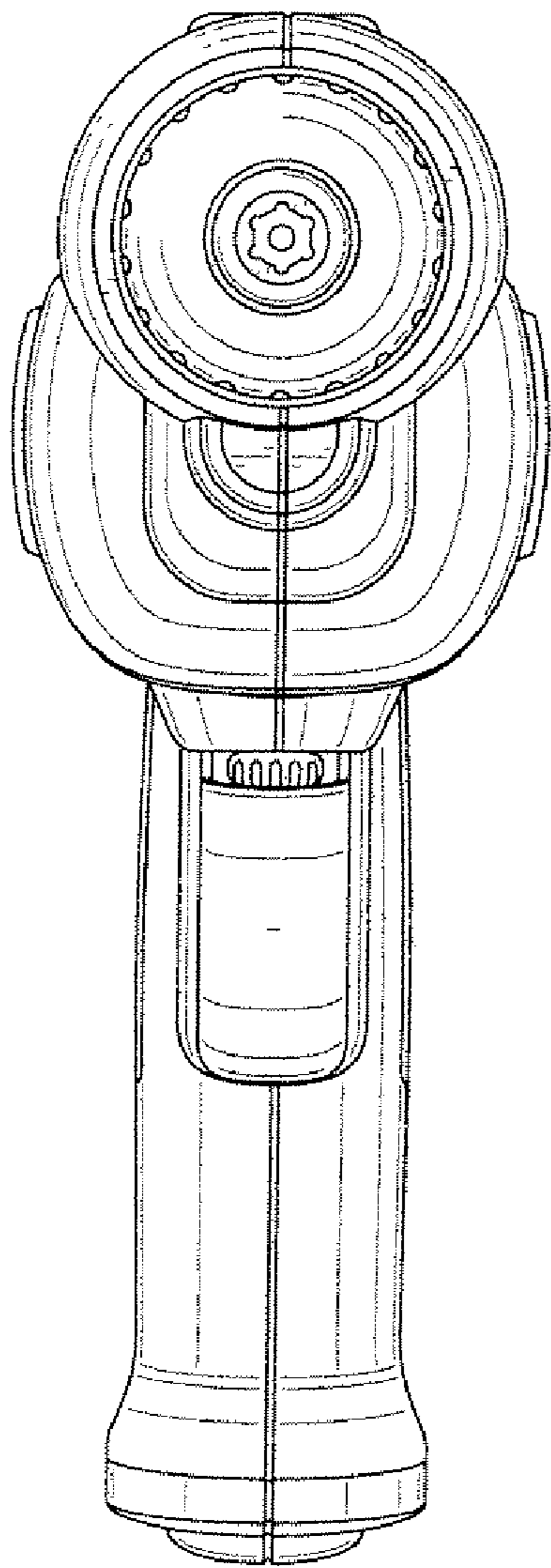


FIG. 6

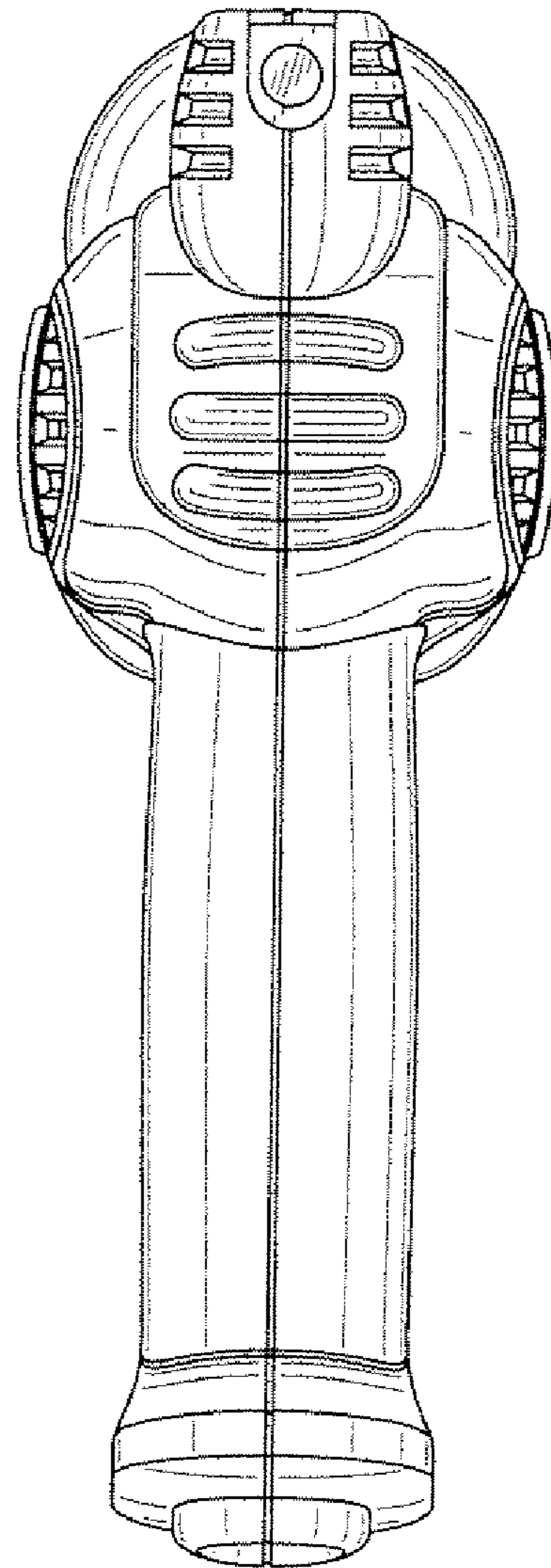


FIG. 7