



US00D577971S

(12) **United States Design Patent**  
**Hughett**

(10) **Patent No.:** **US D577,971 S**  
(45) **Date of Patent:** **\*\* Oct. 7, 2008**

- (54) **TROWEL BLADE**
- (75) Inventor: **Rick Hughett**, Oneida, TN (US)
- (73) Assignee: **Para-Chem**, Simpsonville, SC (US)
- (\*\*) Term: **14 Years**
- (21) Appl. No.: **29/295,096**
- (22) Filed: **Sep. 21, 2007**
- (51) **LOC (8) Cl.** ..... **08-05**
- (52) **U.S. Cl.** ..... **D8/45**
- (58) **Field of Classification Search** ..... D8/45,  
D8/19, 20, 14; 15/235.4, 235.6, 236.06,  
15/236.08, 245.1, 235.8; D32/46; 30/355  
See application file for complete search history.

- (56) **References Cited**
- U.S. PATENT DOCUMENTS
- 2,253,116 A 8/1941 Findlay
- 2,395,186 A 2/1946 Jones
- 2,828,619 A 4/1958 Williams
- 3,023,444 A 3/1962 Tims, Jr.
- 3,166,776 A 1/1965 Selck
- 5,231,729 A 8/1993 Rose
- 5,479,675 A 1/1996 Pytlewski
- 5,839,152 A 11/1998 Kruskamp
- 6,178,586 B1 1/2001 Jafarmadar
- 6,205,610 B1 3/2001 Westthorp
- D472,787 S 4/2003 Kyte

- D516,887 S 3/2006 Miller
- 7,013,524 B1 3/2006 McIlree, Sr.
- D529,351 S 10/2006 Friz
- D561,549 S 2/2008 Hughett
- 7,370,384 B2 \* 5/2008 Miller et al. .... 15/236.08
- 2006/0168753 A1 8/2006 Crisswell

\* cited by examiner

*Primary Examiner*—Philip S Hyder  
(74) *Attorney, Agent, or Firm*—Dority & Manning, P.A.

(57) **CLAIM**

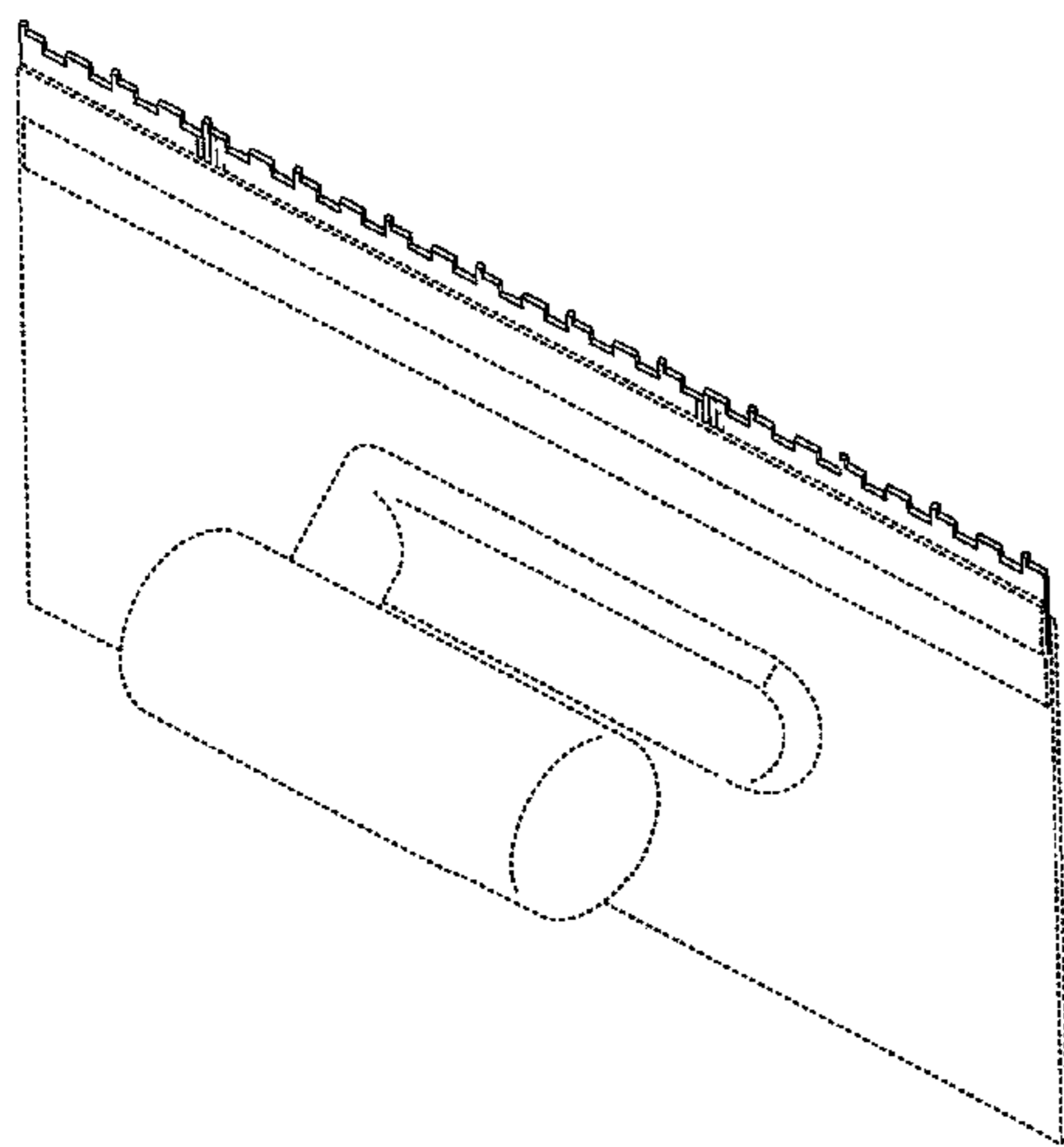
The ornamental design for a trowel blade, as shown and described.

**DESCRIPTION**

- FIG. 1 is a front perspective view of a trowel blade according to the present design;
- FIG. 2 is a top plan view thereof;
- FIG. 3 is a bottom plan view thereof;
- FIG. 4 is a left side elevational view thereof;
- FIG. 5 is a right side elevational view thereof;
- FIG. 6 is a front elevational view thereof; and,
- FIG. 7 is a rear elevational view thereof.

The broken lines showing environment in the drawings are for illustrative purposes only and form no part of the claimed design.

**1 Claim, 2 Drawing Sheets**



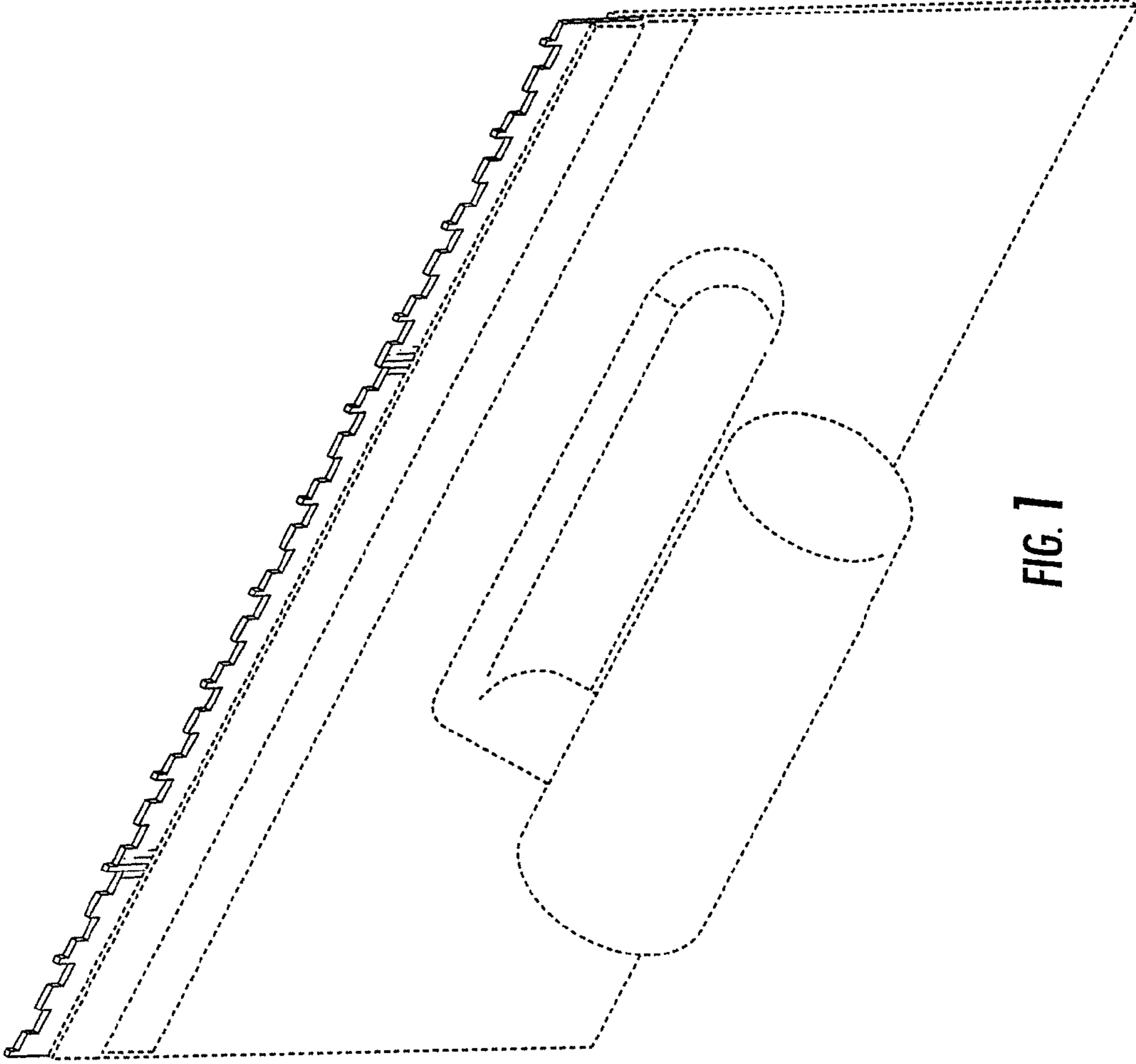


FIG. 7



FIG. 2



FIG. 3

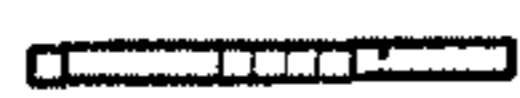


FIG. 4



FIG. 5

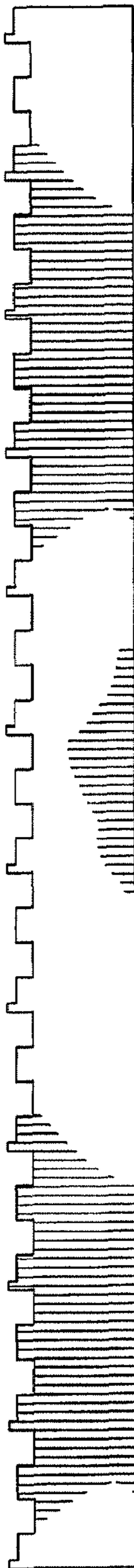


FIG. 6



FIG. 7