



US00D577970S

(12) **United States Design Patent**
Hughett

(10) **Patent No.:** **US D577,970 S**
(45) **Date of Patent:** **** Oct. 7, 2008**

- (54) **TROWEL BLADE**
- (75) Inventor: **Rick Hughett**, Oneida, TN (US)
- (73) Assignee: **Para-Chem**, Simpsonville, SC (US)
- (**) Term: **14 Years**
- (21) Appl. No.: **29/295,090**
- (22) Filed: **Sep. 21, 2007**
- (51) **LOC (8) Cl.** **08-05**
- (52) **U.S. Cl.** **D8/45**
- (58) **Field of Classification Search** D8/45,
D8/19, 20, 14; 15/235.4, 235.6, 236.06,
15/236.08, 245.1, 235.8; D32/46; 30/355
See application file for complete search history.

- D516,887 S 3/2006 Miller
- 7,013,524 B1 3/2006 McIlree, Sr.
- D529,351 S 10/2006 Friz
- D561,549 S 2/2008 Hughett
- 7,370,384 B2 * 5/2008 Miller et al. 15/236.08
- 2006/0168753 A1 8/2006 Crisswell

* cited by examiner

Primary Examiner—Philip S Hyder
(74) *Attorney, Agent, or Firm*—Dority & Manning, P.A.

(57) **CLAIM**

The ornamental design for a trowel blade, as shown and described.

DESCRIPTION

FIG. 1 is a front perspective view of a trowel blade according to the present design;

FIG. 2 is a top plan view thereof;

FIG. 3 is a bottom plan view thereof;

FIG. 4 is a left side elevational view thereof;

FIG. 5 is a right side elevational view thereof;

FIG. 6 is a front elevational view thereof; and,

FIG. 7 is a rear elevational view thereof.

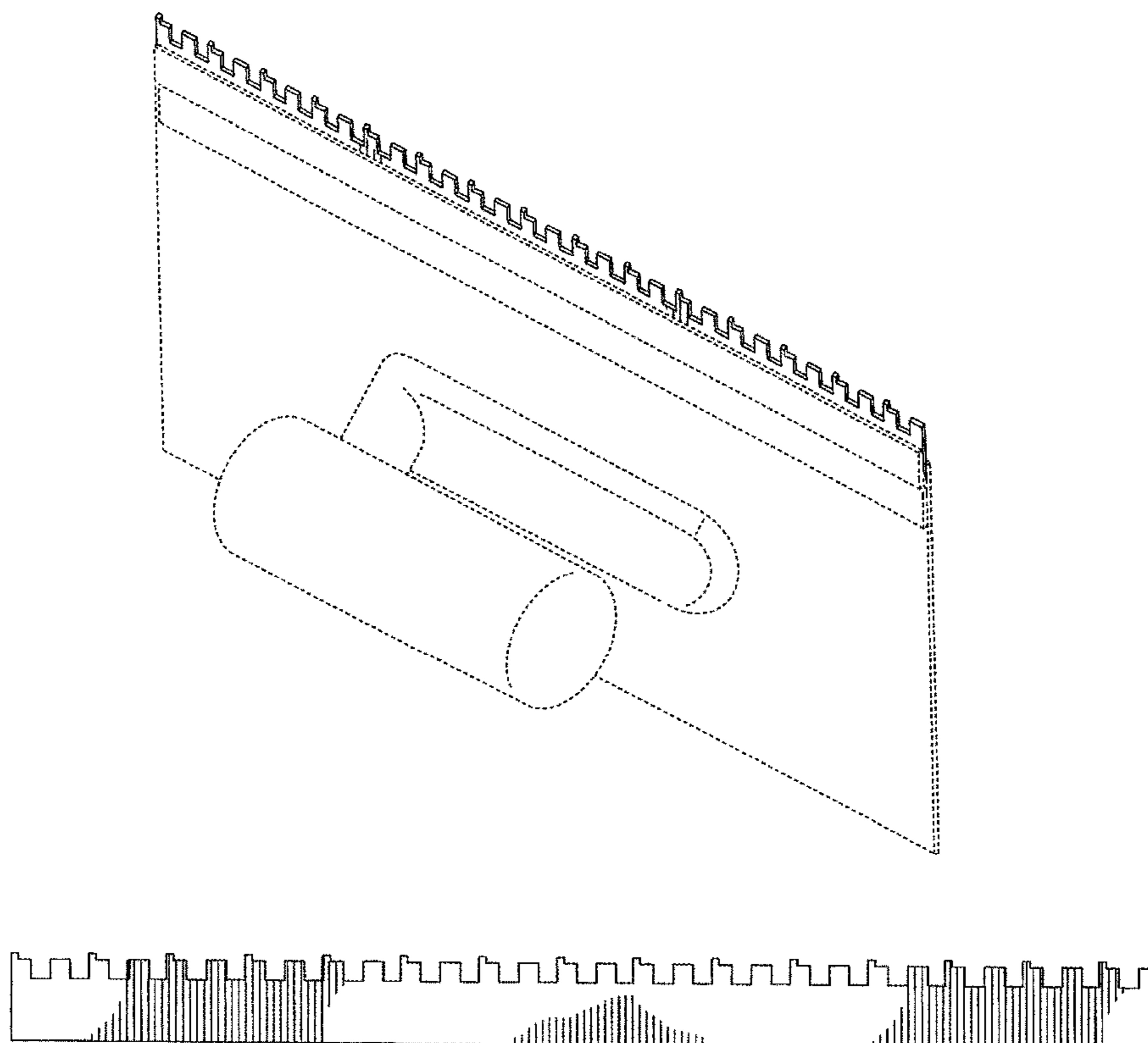
The broken lines showing environment in the drawings are for illustrative purposes only and form no part of the claimed design.

(56) **References Cited**

U.S. PATENT DOCUMENTS

2,253,116 A	8/1941	Findlay
2,395,186 A	2/1946	Jones
2,828,619 A	4/1958	Williams
3,023,444 A	3/1962	Tims, Jr.
3,166,776 A	1/1965	Selck
5,231,729 A	8/1993	Rose
5,479,675 A	1/1996	Pytlewski
5,839,152 A	11/1998	Kruskamp
6,178,586 B1	1/2001	Jafarmadar
6,205,610 B1	3/2001	Westthorp
D472,787 S	4/2003	Kyte

1 Claim, 2 Drawing Sheets



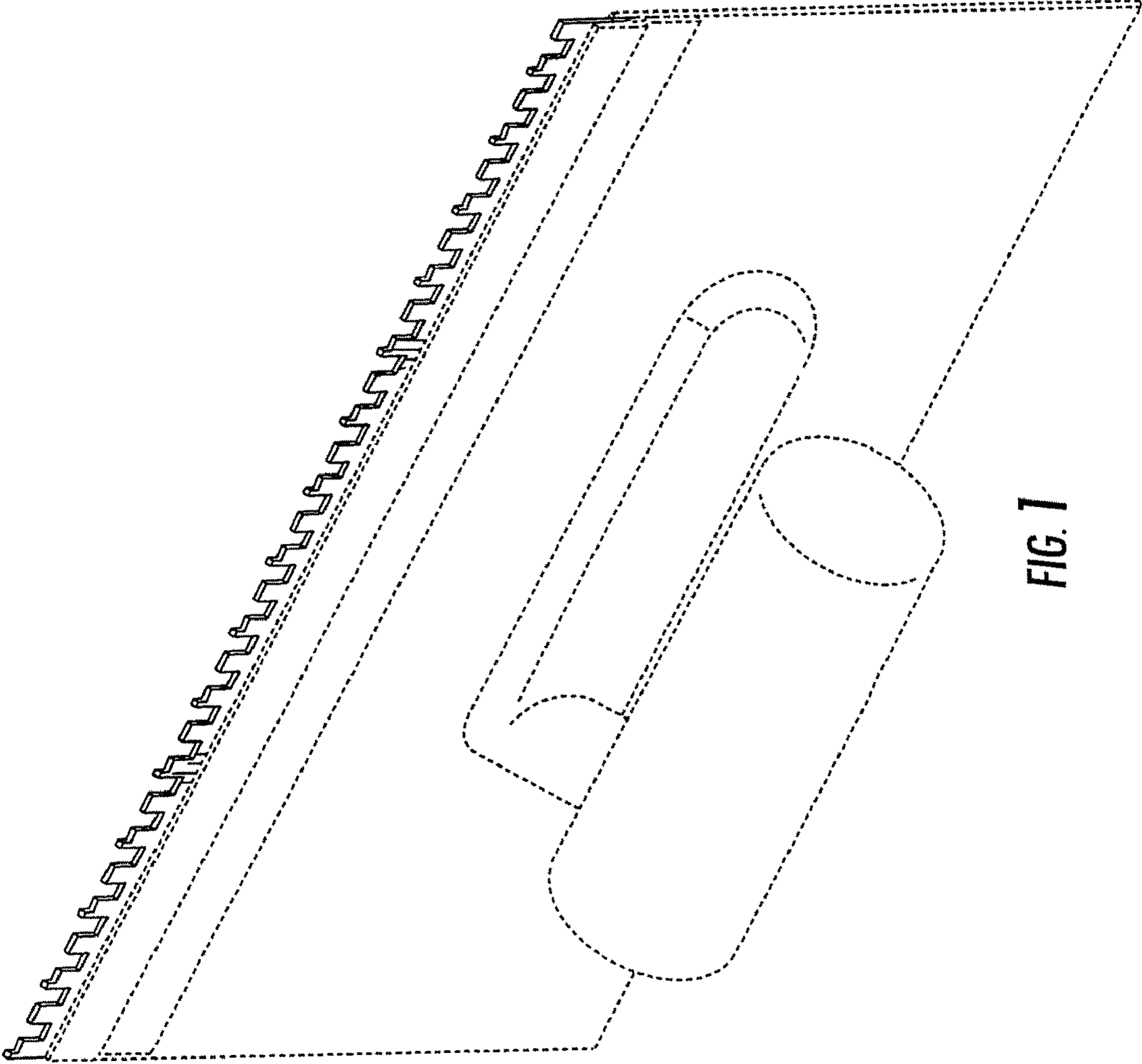


FIG. 1



FIG. 2

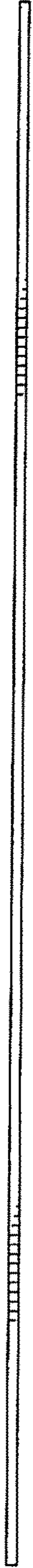


FIG. 3



FIG. 4

FIG. 5

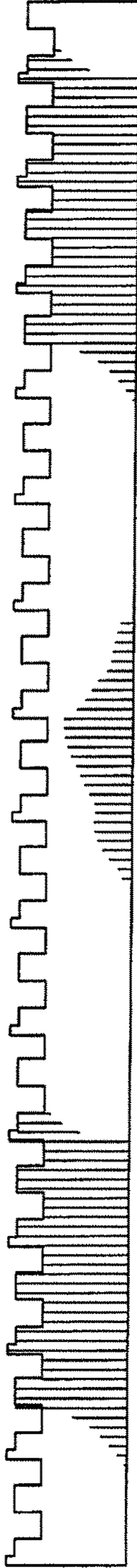


FIG. 6

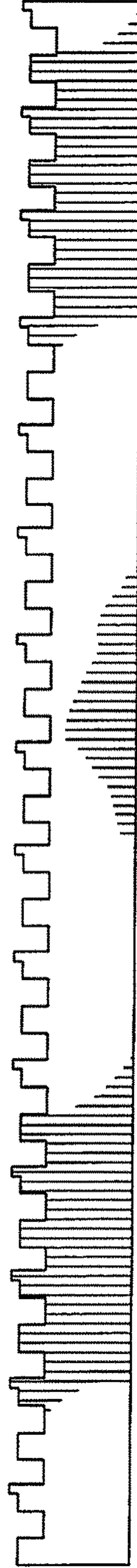


FIG. 7