



US00D577968S

(12) **United States Design Patent**
Siau

(10) **Patent No.:** **US D577,968 S**
(45) **Date of Patent:** **** Oct. 7, 2008**

(54) **BELT INSTALLATION TOOL**

FOREIGN PATENT DOCUMENTS

(75) Inventor: **Roger Siau**, Wichelen (BE)

WO WO 2003/095863 A3 11/2003

WO WO 2005/012766 A1 10/2005

(73) Assignee: **The Gates Corporation**, Denver, CO
(US)

* cited by examiner

(**) Term: **14 Years**

Primary Examiner—Philip S Hyder

(74) *Attorney, Agent, or Firm*—J. A. Thurnau, Esq.; J. L. Mahurin, Esq.; P. N. Dunlap, Esq.

(21) Appl. No.: **29/294,323**

(57) **CLAIM**

(22) Filed: **Jan. 4, 2008**

The ornamental design for a belt installation tool, as shown and described.

(51) **LOC (8) Cl.** **08-05**

(52) **U.S. Cl.** **D8/14**

(58) **Field of Classification Search** D8/14;
474/130, 131, 128, 129

See application file for complete search history.

DESCRIPTION

FIG. 1 is a perspective view of a belt installation tool, showing my new design;

FIG. 2 is a right side view of FIG. 1;

FIG. 3 is a left side view of FIG. 1;

FIG. 4 is a front view of FIG. 1;

FIG. 5 is a top plan view of FIG. 1; and,

FIG. 6 is a bottom plan view of FIG. 1.

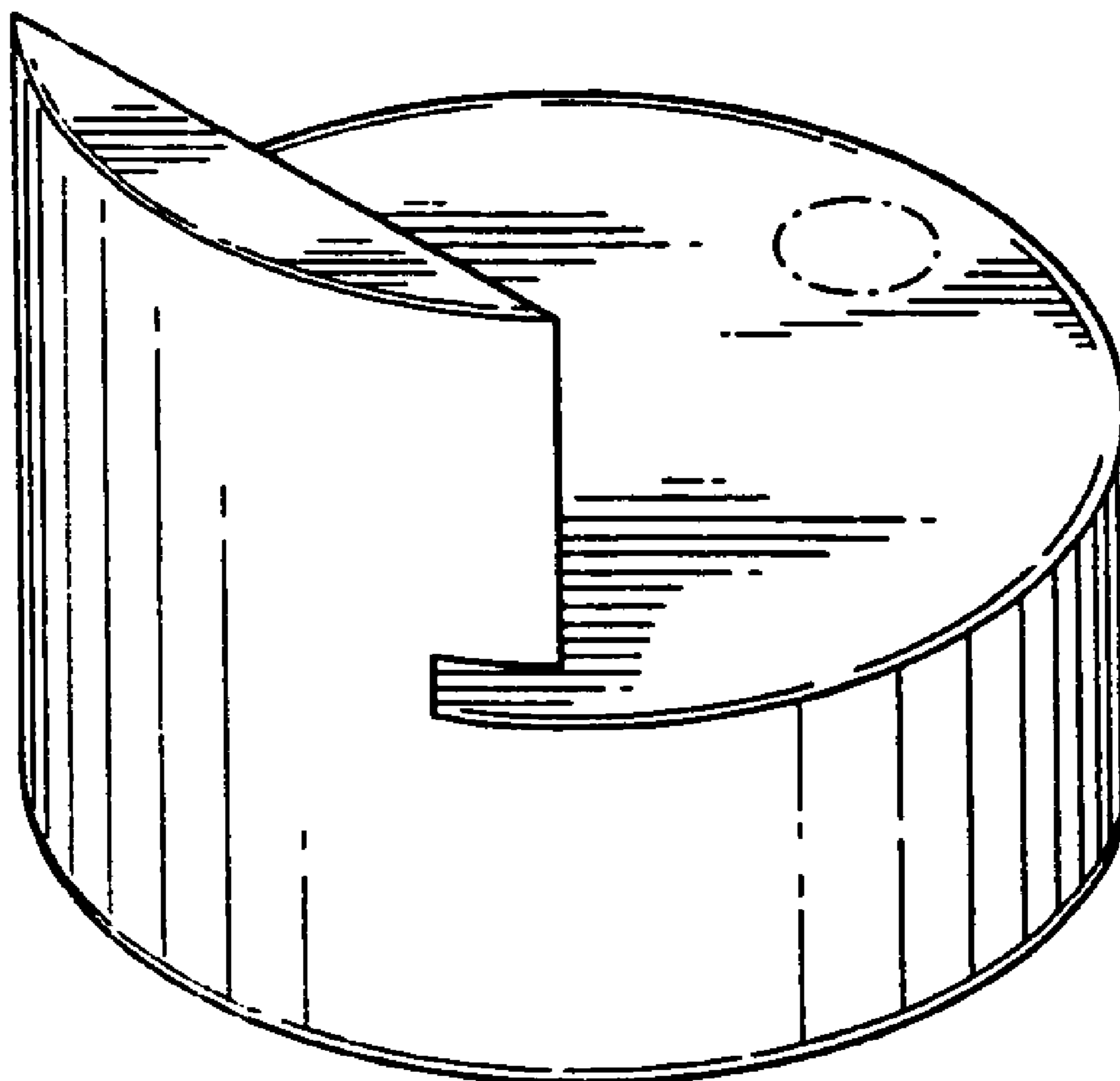
The broken lines in FIGS. 1, 5, and 6 illustrate a portion of the design that forms no part of the claim.

(56) **References Cited**

U.S. PATENT DOCUMENTS

3,138,963	A *	6/1964	Prince	474/130
6,402,649	B1	6/2002	Amkreutz	474/130
6,533,689	B1 *	3/2003	Amkreutz	474/130
6,783,473	B2 *	8/2004	De Meester et al.	474/130
7,056,244	B2 *	6/2006	Hodjat	474/130
7,211,015	B2	5/2007	Shaw	474/130
7,335,121	B2 *	2/2008	Fletcher et al.	474/130

1 Claim, 2 Drawing Sheets



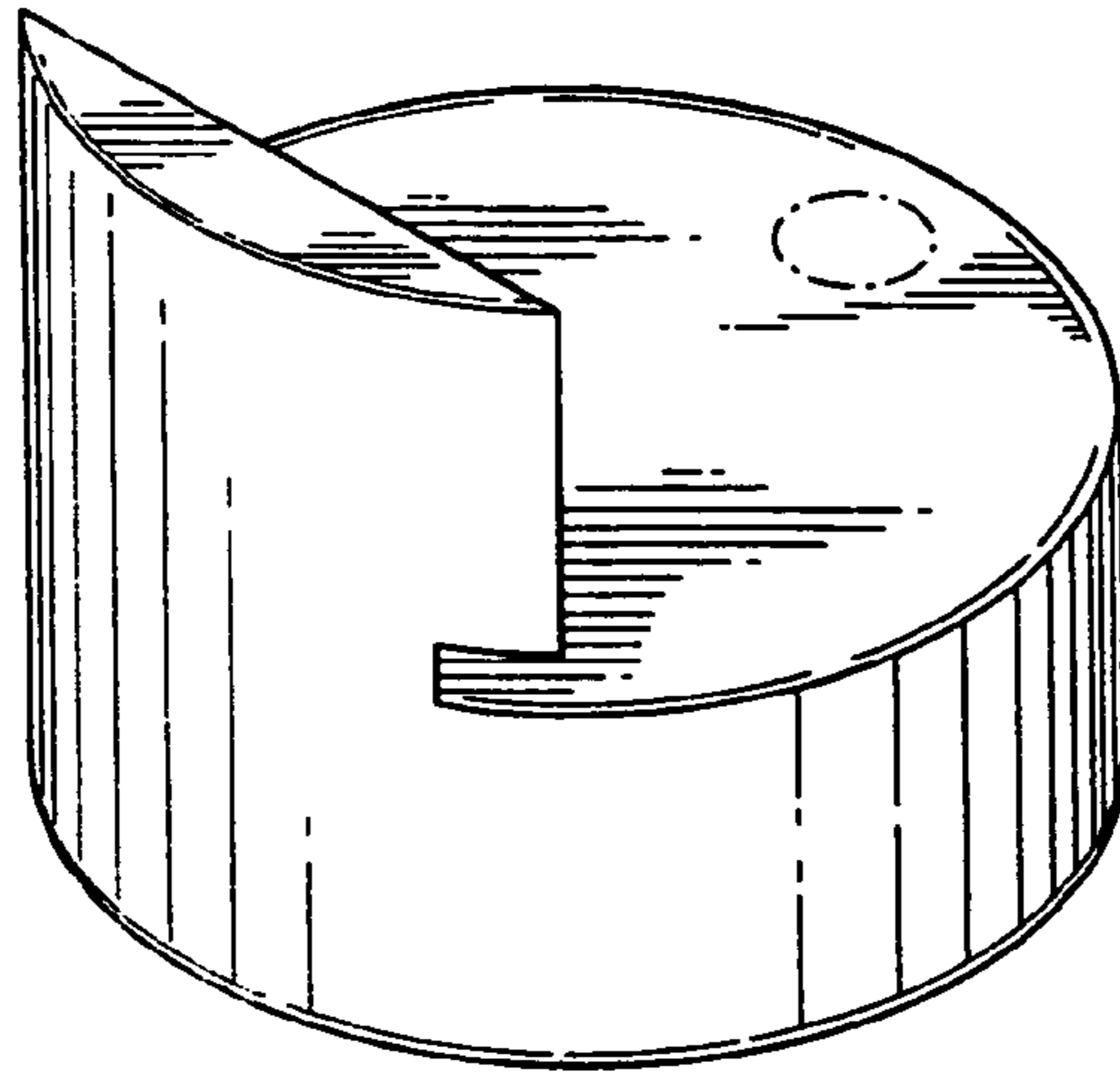


FIG. 1

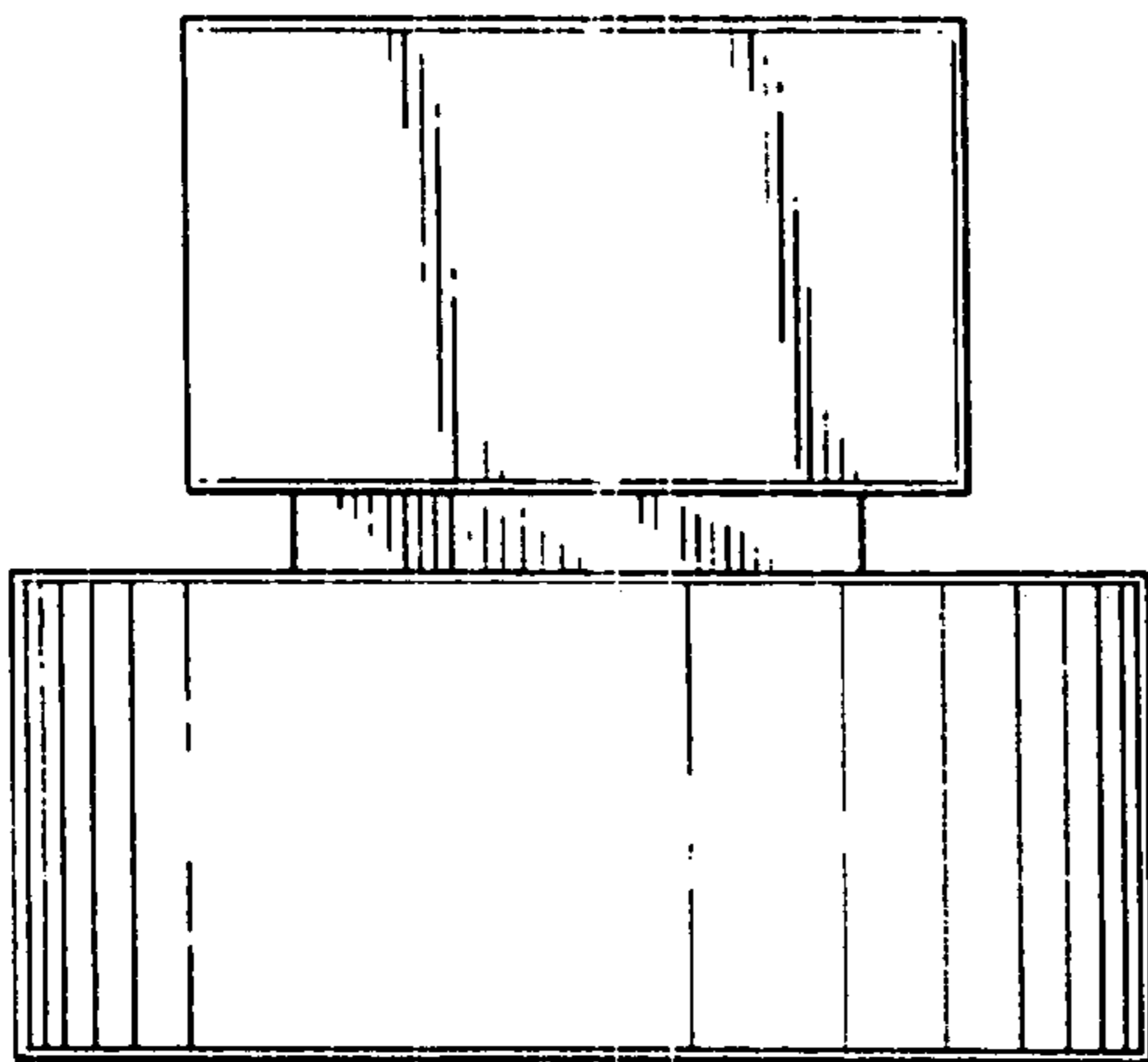


FIG. 2

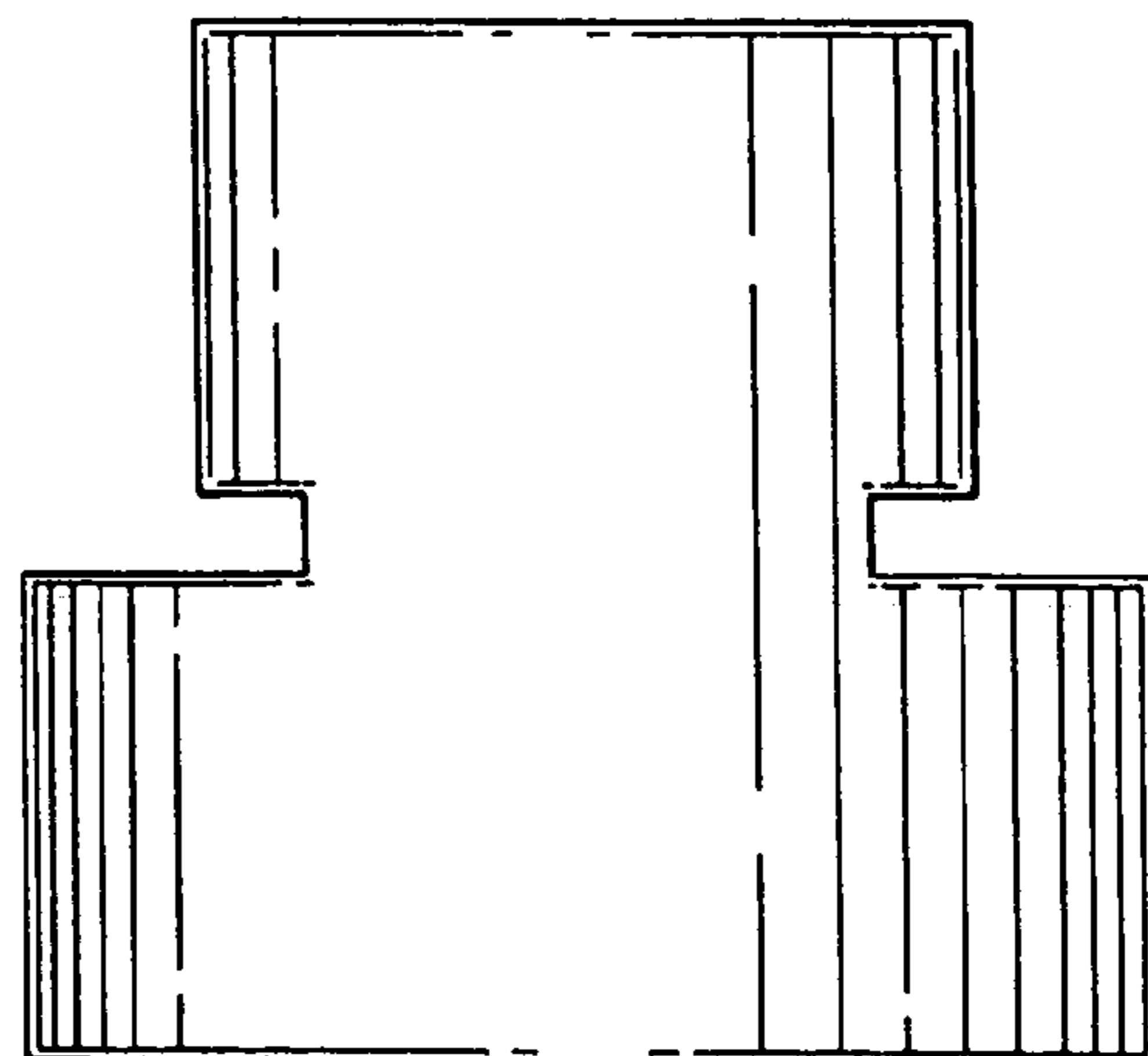


FIG. 3

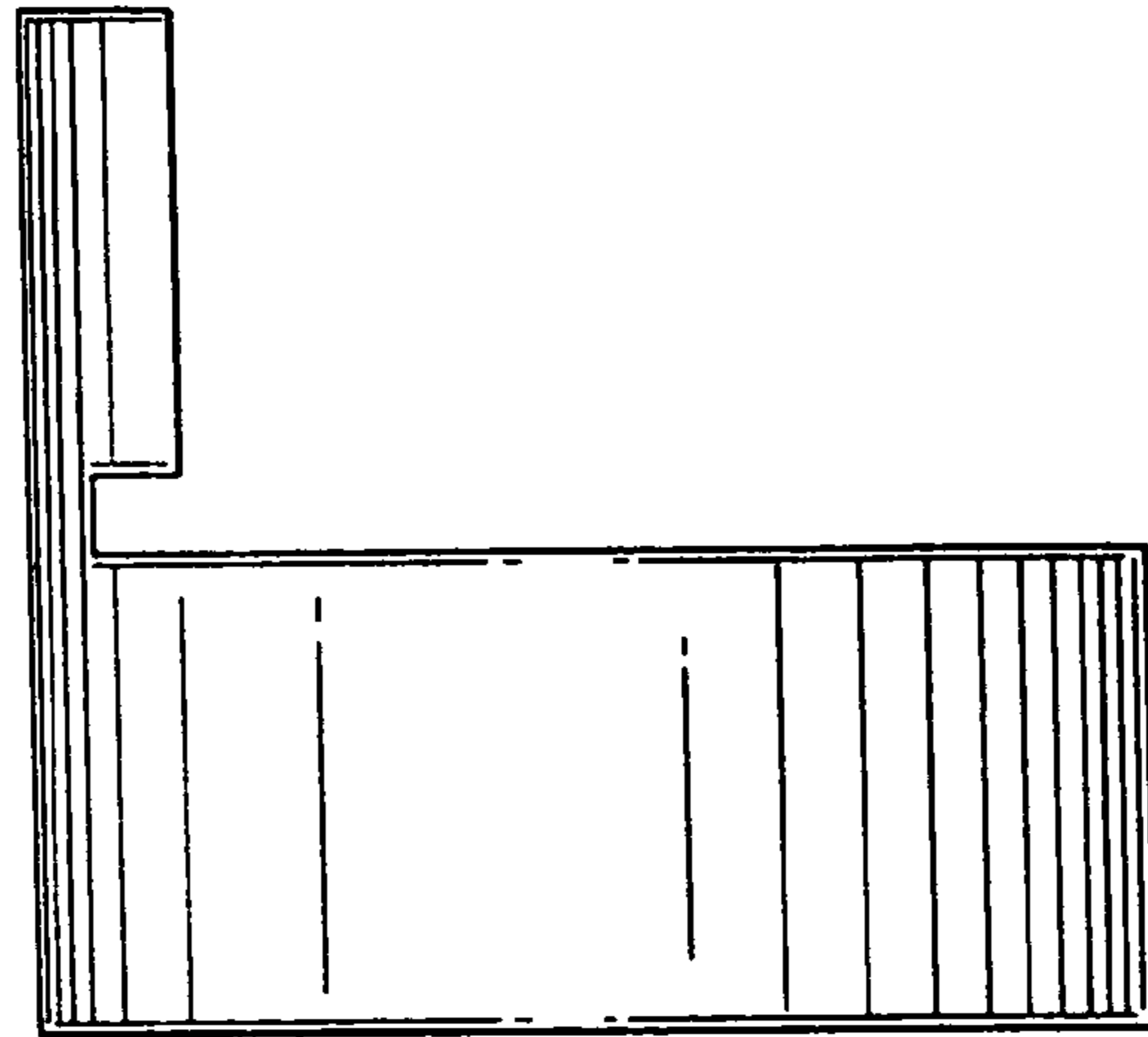


FIG. 4

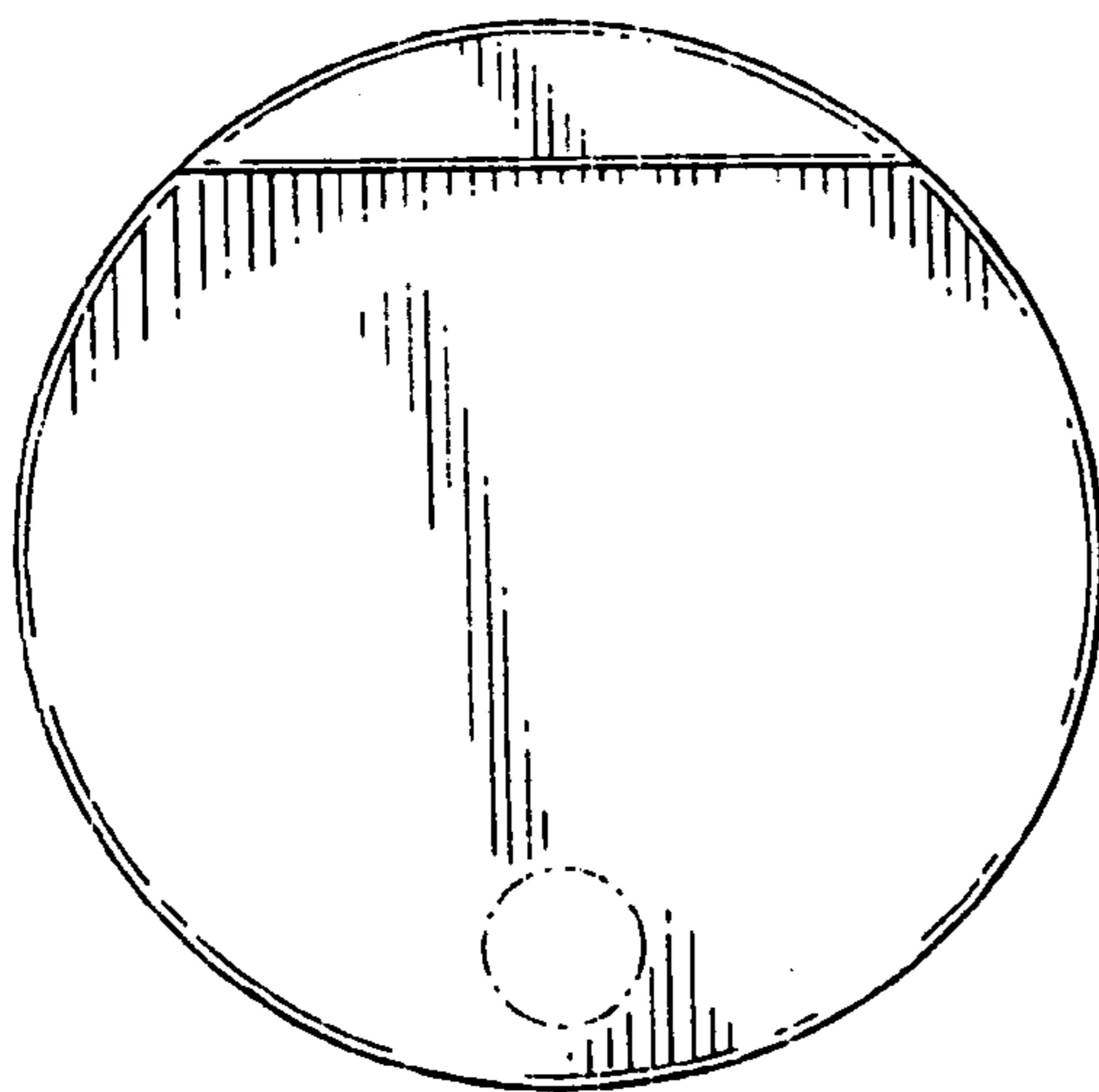


FIG. 5

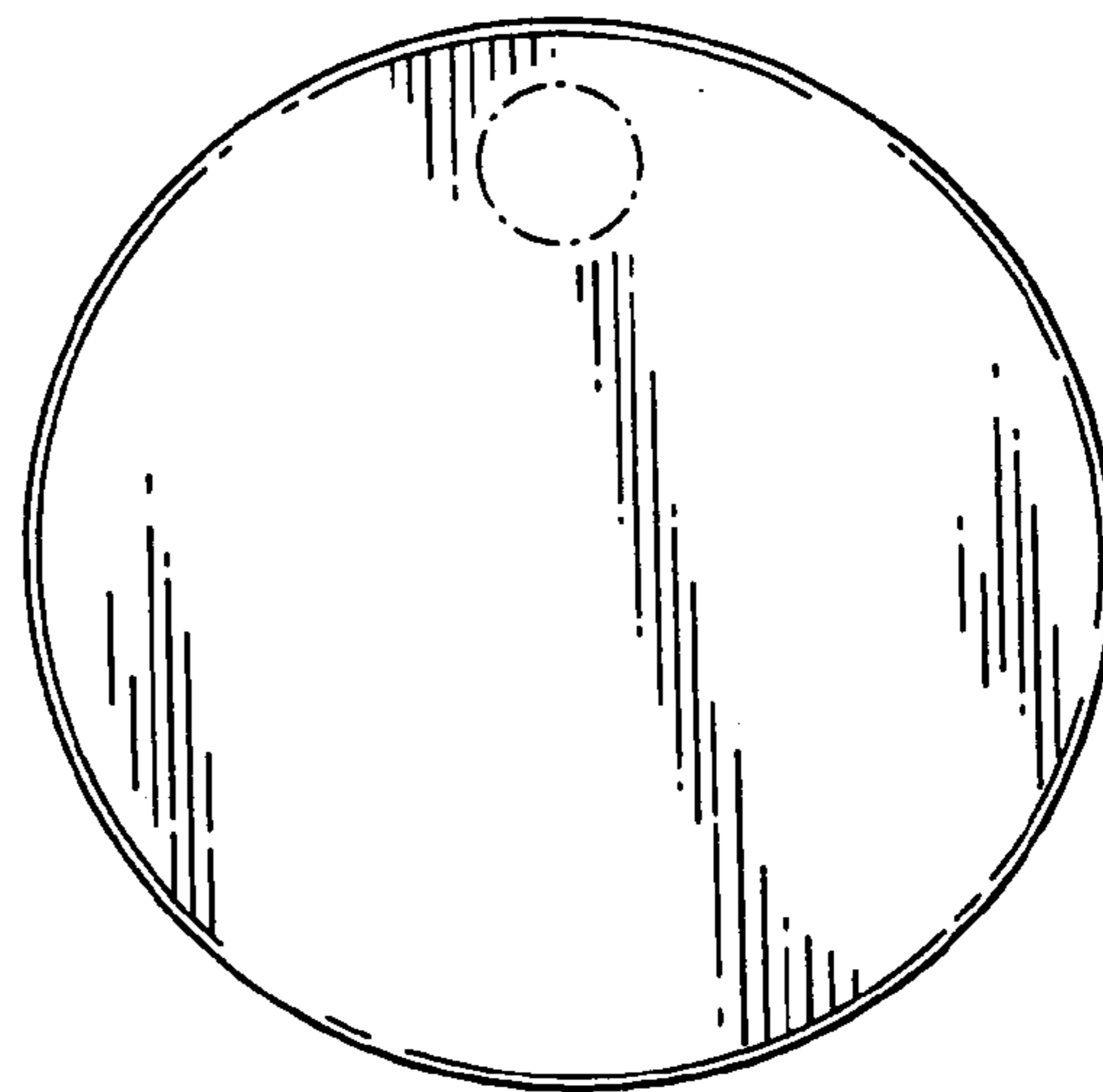


FIG. 6