



US00D577964S

(12) **United States Design Patent**  
**Konkle et al.**

(10) **Patent No.:** **US D577,964 S**  
(45) **Date of Patent:** **\*\* Oct. 7, 2008**

(54) **INSULATED BEVERAGE HOLDER**

(75) Inventors: **Jeff Konkle**, Lake Zurich, IL (US);  
**Kingston Wong**, Beach Park, IL (US)

(73) Assignee: **Klein Tools, Inc.**, Lincolnshire, IL (US)

(\*\*) Term: **14 Years**

(21) Appl. No.: **29/301,943**

(22) Filed: **Mar. 24, 2008**

(51) **LOC (8) Cl.** ..... **07-01**

(52) **U.S. Cl.** ..... **D7/608**

(58) **Field of Classification Search** ..... D7/605-608,  
D7/509-511, 533, 536, 317-319; 62/457.1-457.9,  
62/371, 372; 215/12.1, 12.2, 13.1, 382-385;  
D9/715, 716, 443; 220/62.12, 592.16, 592.17,  
220/592.2, 592.27

See application file for complete search history.

(56) **References Cited**

**U.S. PATENT DOCUMENTS**

D294,325 S \* 2/1988 Fiore, Jr. .... D7/320

6,119,888 A \* 9/2000 Goto et al. .... 220/592.27  
D472,107 S \* 3/2003 Short ..... D7/629  
D476,859 S \* 7/2003 Short ..... D7/608  
D529,337 S \* 10/2006 Carreno et al. .... D7/509

\* cited by examiner

*Primary Examiner*—Terry A Wallace

(74) *Attorney, Agent, or Firm*—Eugene M. Cummings, P.C.

(57) **CLAIM**

The ornamental design for the insulated beverage holder, as shown and described.

**DESCRIPTION**

FIG. 1 is a perspective view of the insulated beverage holder.

FIG. 2 is a side view of the insulated beverage holder.

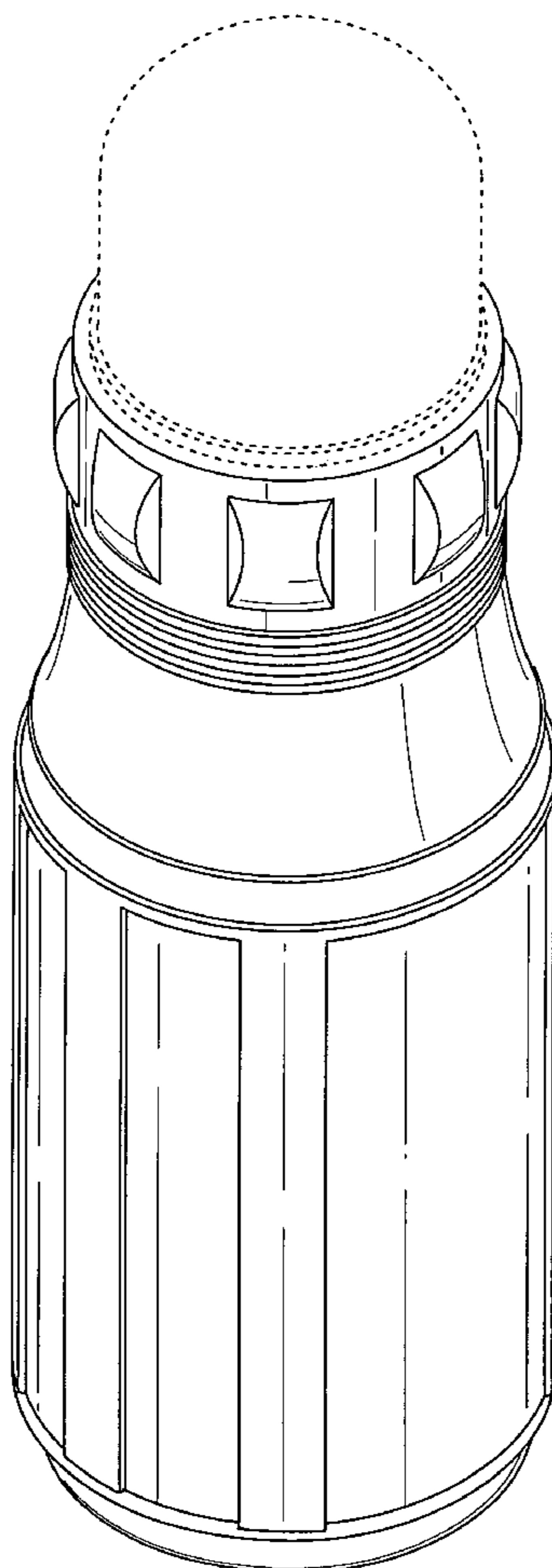
FIG. 3 is a side view of the insulated beverage holder.

FIG. 4 is a top view of the insulated beverage holder; and,

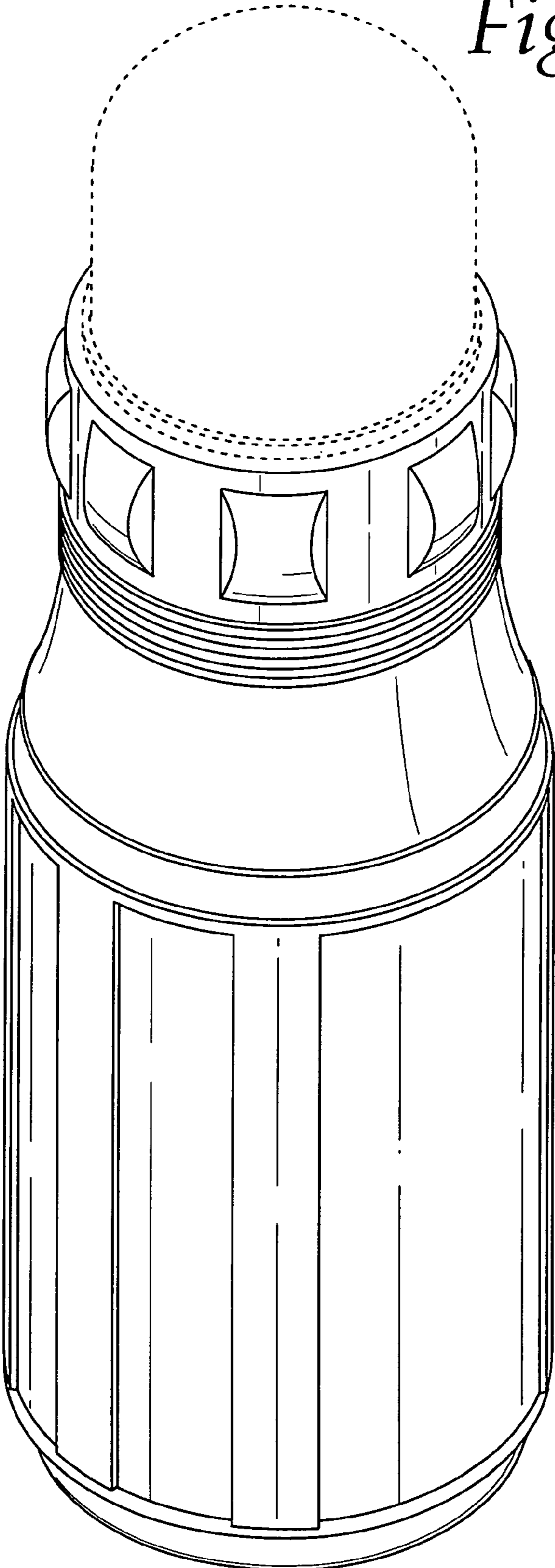
FIG. 5 is a bottom view of the insulated beverage holder.

The beverage holder top is shown in broken lines for illustrative purposes only and form no part of the claimed design.

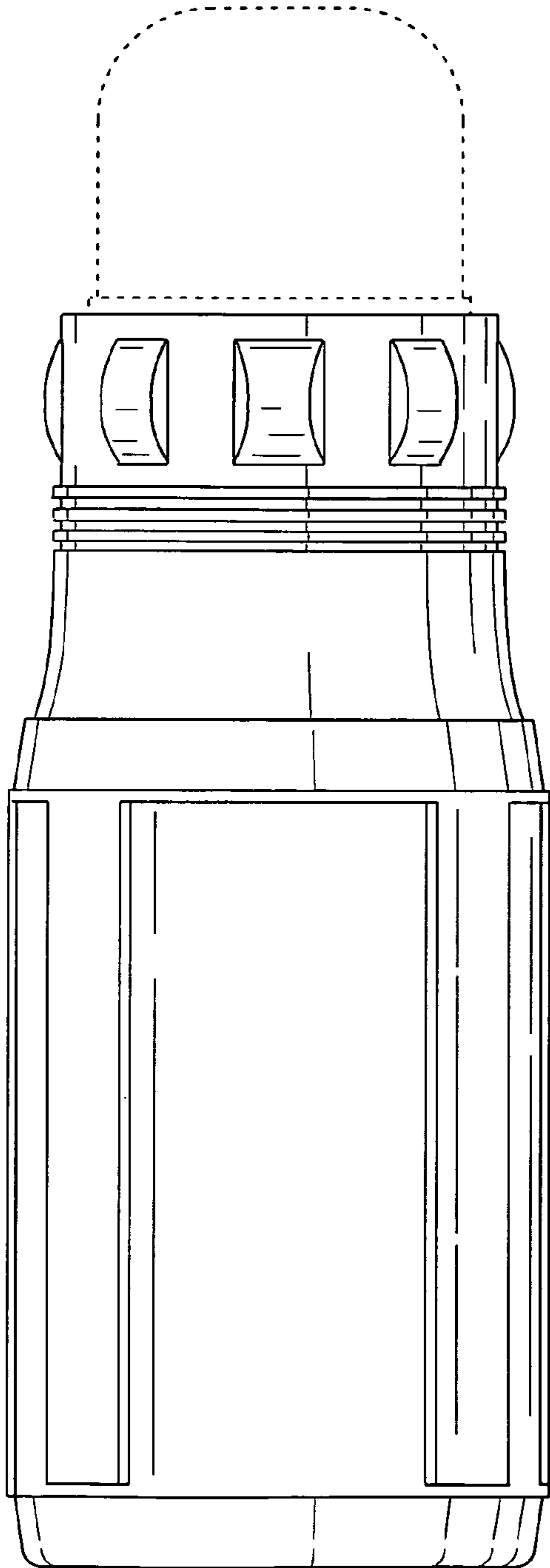
**1 Claim, 3 Drawing Sheets**



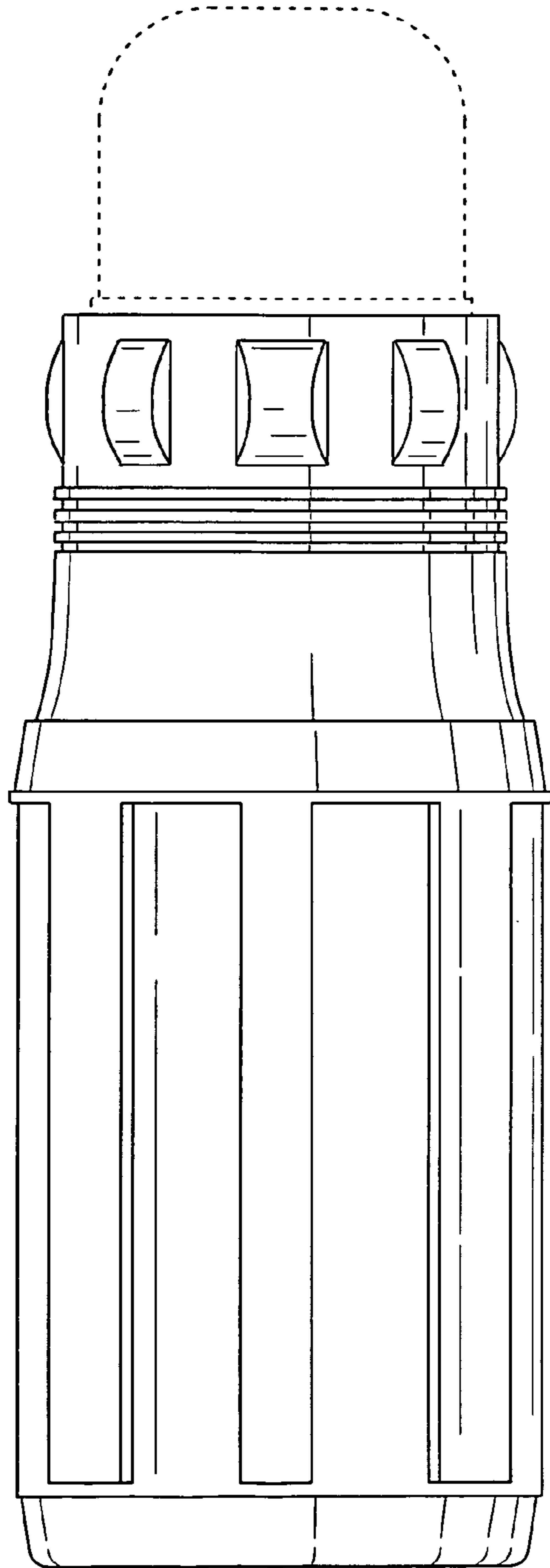
*Fig. 1*



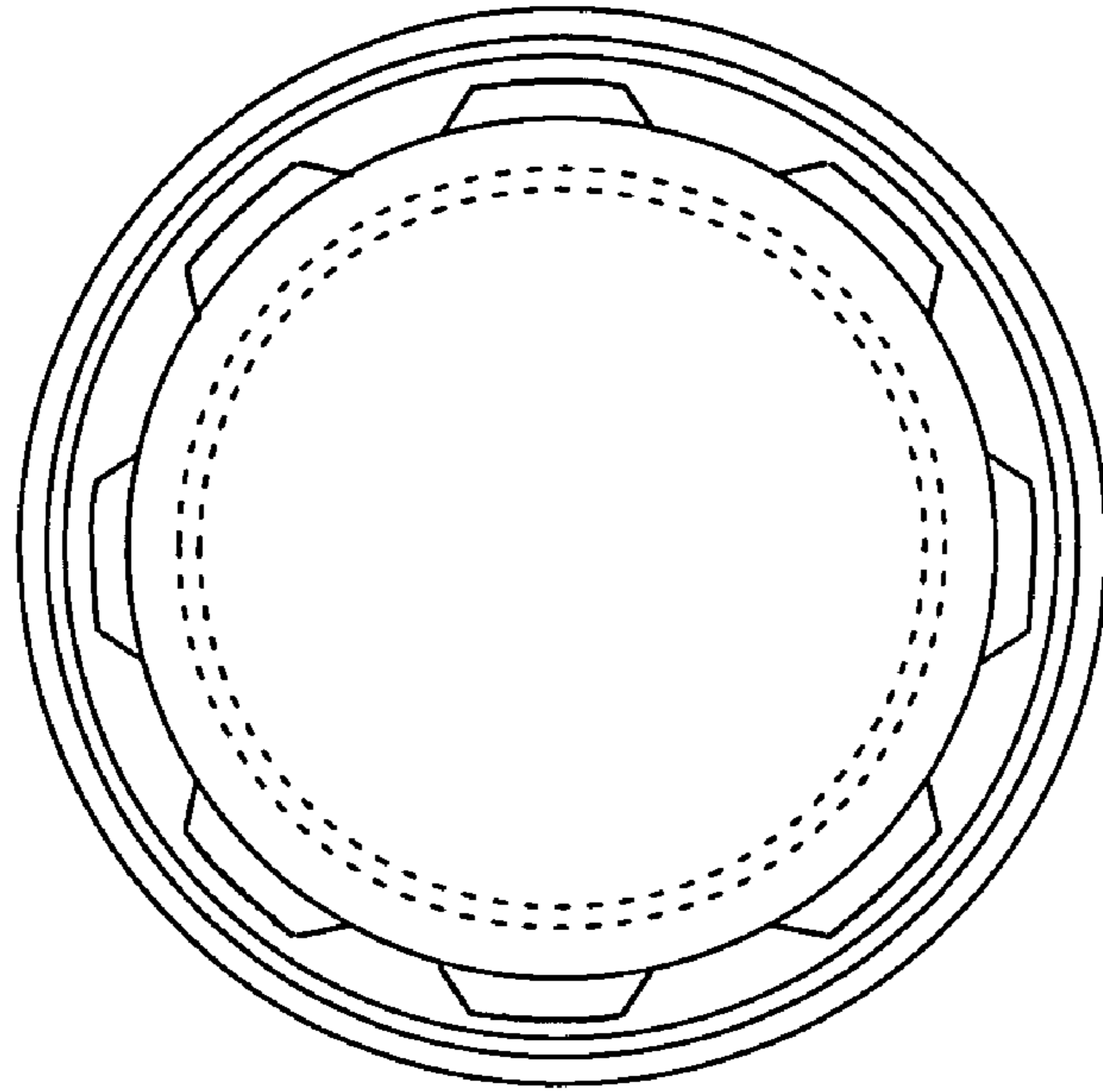
*Fig. 2*



*Fig. 3*



*Fig. 4*



*Fig. 5*

