



US00D577962S

(12) **United States Design Patent**
Bauer et al.

(10) **Patent No.:** **US D577,962 S**
(45) **Date of Patent:** **** Oct. 7, 2008**

(54) **TIERED SERVING TRAY**
(75) Inventors: **Michael R. Bauer**, Oak Lawn, IL (US);
Gregory J. Foster, Chicago, IL (US)
(73) Assignee: **Columbia Insurance Company**,
Omaha, NE (US)

5,337,904 A * 8/1994 Goldberg 211/26.1
D354,862 S * 1/1995 Goldberg D6/461
5,572,936 A 11/1996 Chroniger
5,617,798 A 4/1997 Lytell
D407,920 S * 4/1999 Duffield D6/461
D480,581 S * 10/2003 Searer D6/455
6,971,613 B2 12/2005 Shendelman
D543,803 S * 6/2007 Henderson et al. D7/707
2004/0256394 A1 12/2004 Conde

(**) Term: **14 Years**

(21) Appl. No.: **29/298,025**

(22) Filed: **Nov. 27, 2007**

(51) **LOC (8) Cl.** **07-01**
(52) **U.S. Cl.** **D7/558; D7/552.2**
(58) **Field of Classification Search** D7/500,
D7/501, 355, 554.1, 554.2, 584, 558, 590,
D7/592, 600.2, 610, 600.4; D6/329, 396,
D6/449, 474, 403; 47/47; 108/59, 92; 211/33,
211/128.1, 133.2

See application file for complete search history.

(56) **References Cited**

U.S. PATENT DOCUMENTS

1,703,340 A 2/1929 Grennan
D149,046 S * 3/1948 Blumenthal et al. D7/501
D160,688 S * 10/1950 Brock D7/501
3,146,906 A * 9/1964 Swett 206/203
D200,117 S * 1/1965 Kolarik D7/590
3,169,496 A * 2/1965 Muggli et al. 108/94
3,951,079 A 4/1976 Tolleson
4,011,954 A 3/1977 Galli
4,311,237 A 1/1982 Hayes
4,823,966 A 4/1989 Haber

OTHER PUBLICATIONS

Picture of Baker's Catalog's 2-Tier Stand.
Picture of Pottery Barn's Great White Three Tier Stand.
Picture of Bed, Bath & Beyond's Luigi Bormioli Michelangelo 2 Tier
Serving Tray.

* cited by examiner

Primary Examiner—Gary D. Watson
Assistant Examiner—Cynthia Underwood
(74) *Attorney, Agent, or Firm*—Neal Gerber Eisenberg LLP

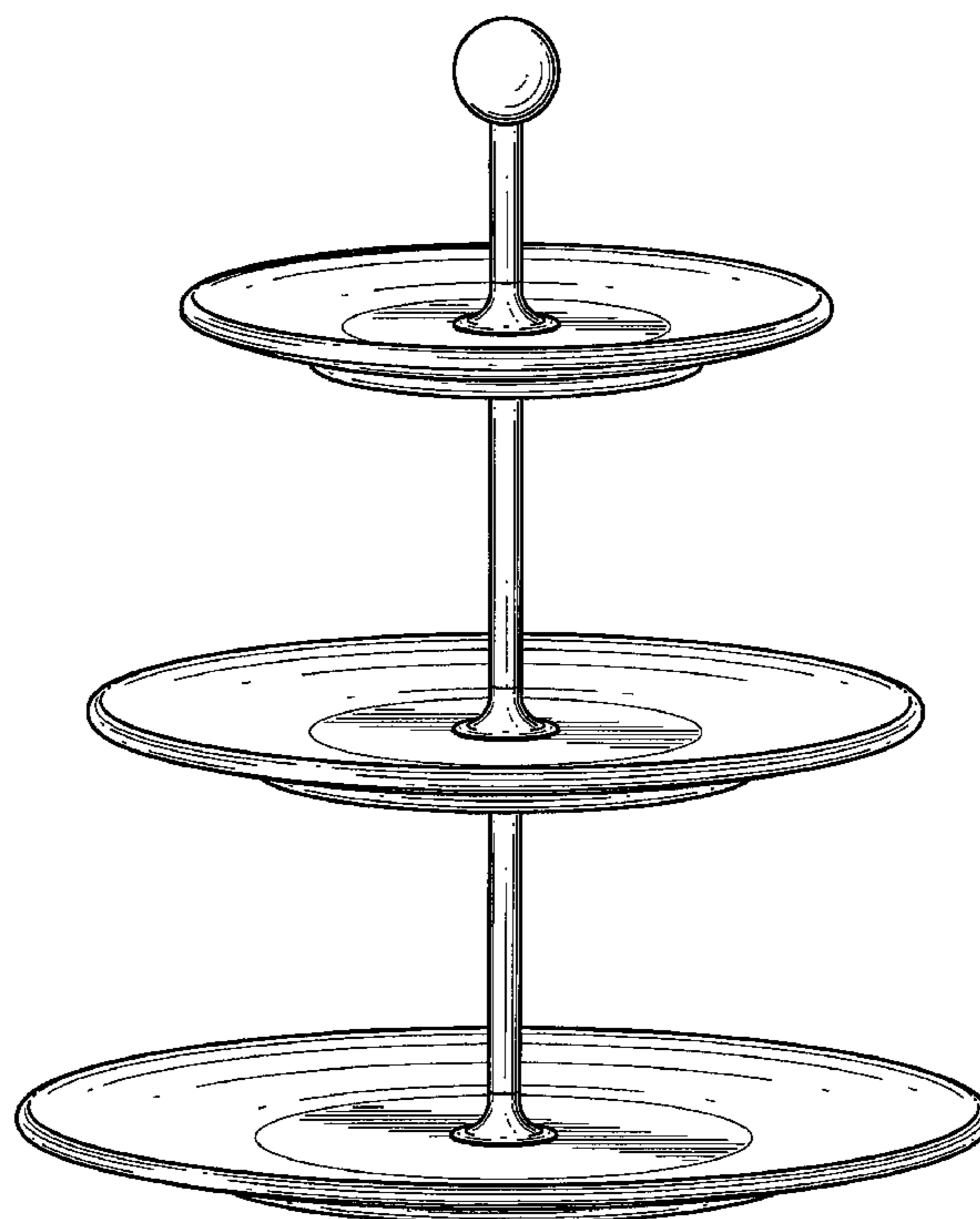
(57) **CLAIM**

The ornamental design for a tiered serving tray, as shown and
described.

DESCRIPTION

FIG. 1 is a perspective view of the tiered serving tray in
accordance with the present invention;
FIG. 2 is an elevational view of the tray as shown in FIG. 1;
FIG. 3 is a top view of the tray as shown in FIG. 1; and,
FIG. 4 is a bottom view of the tray as shown in FIG. 1.

1 Claim, 4 Drawing Sheets



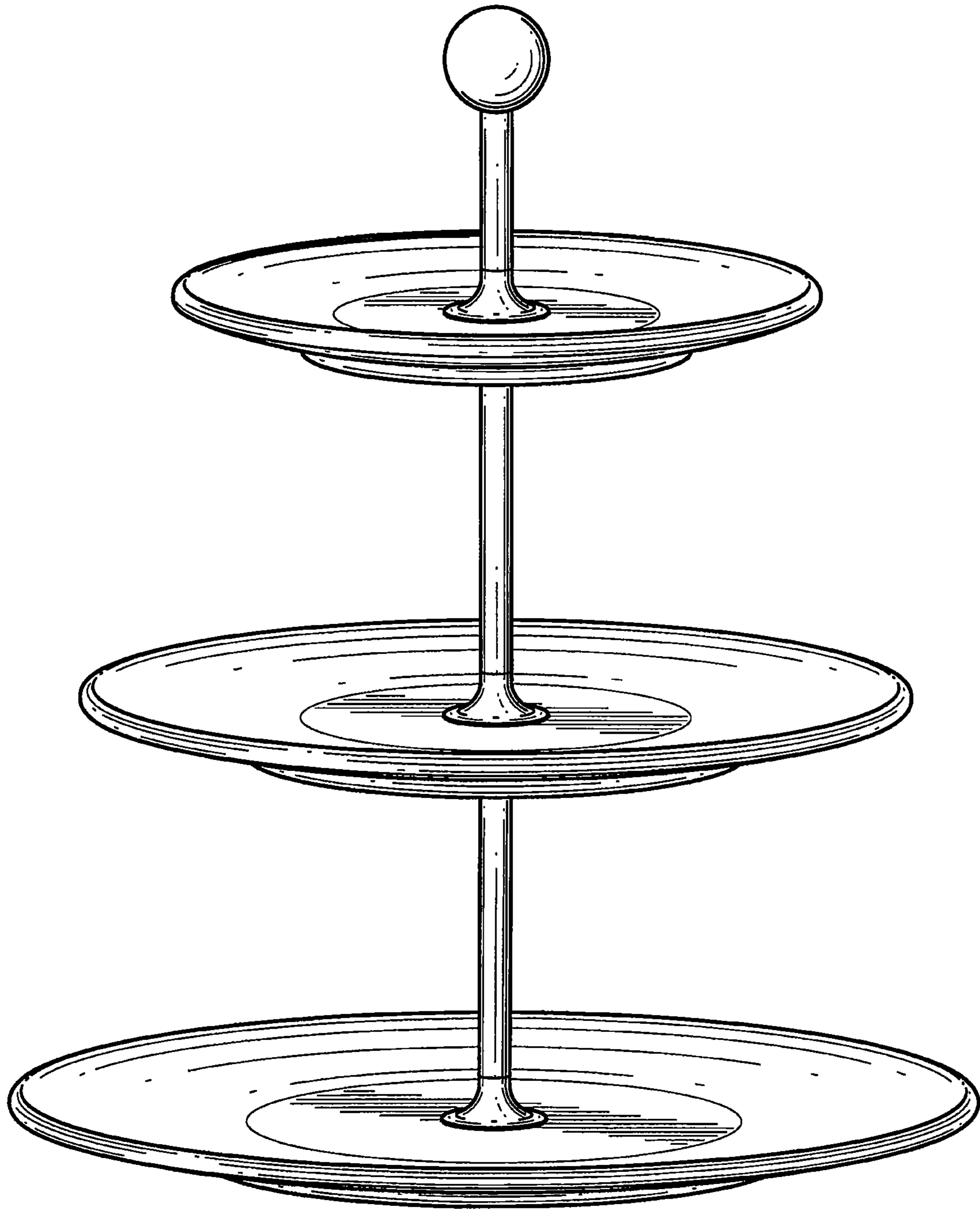


FIG. 1

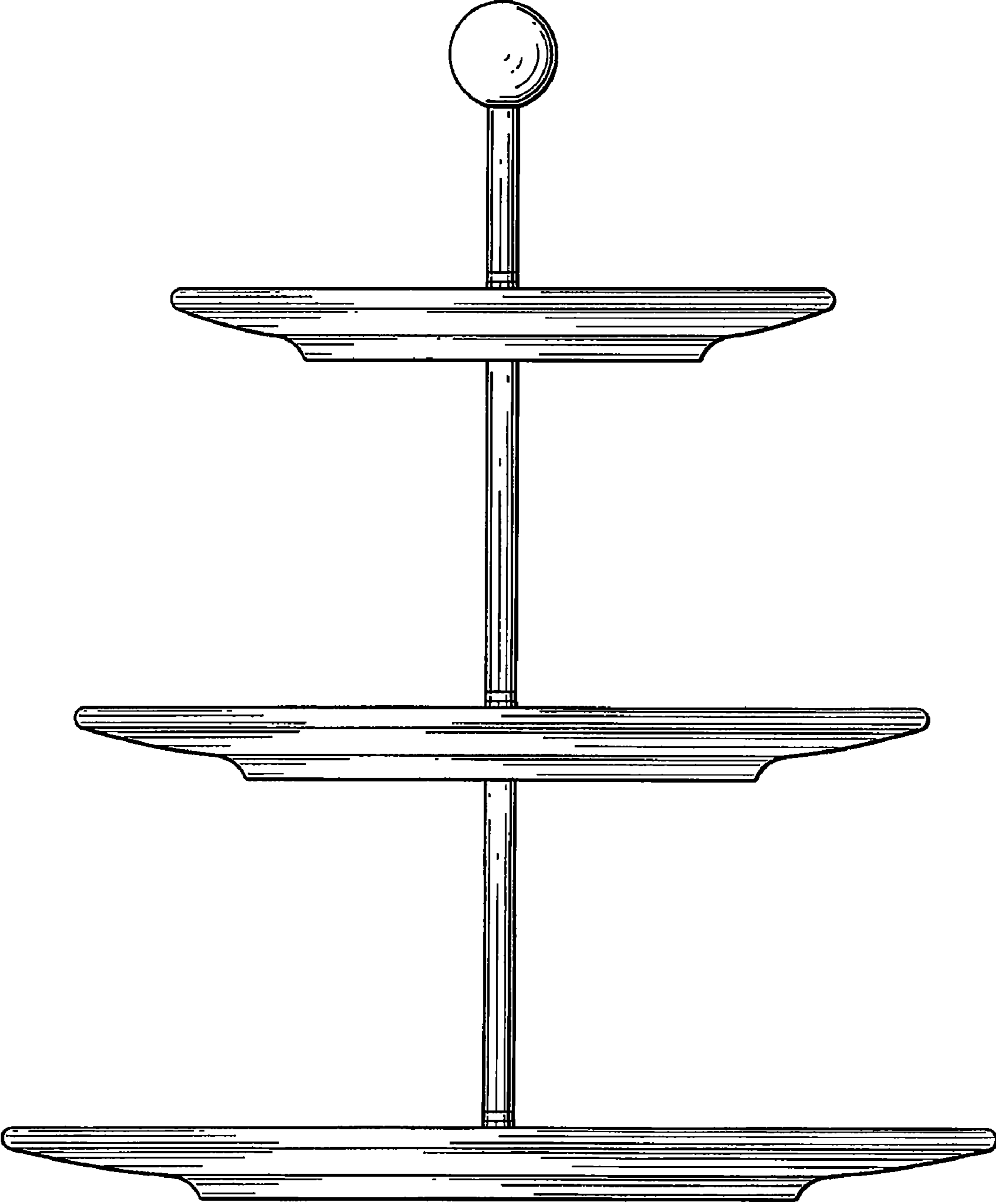


FIG. 2

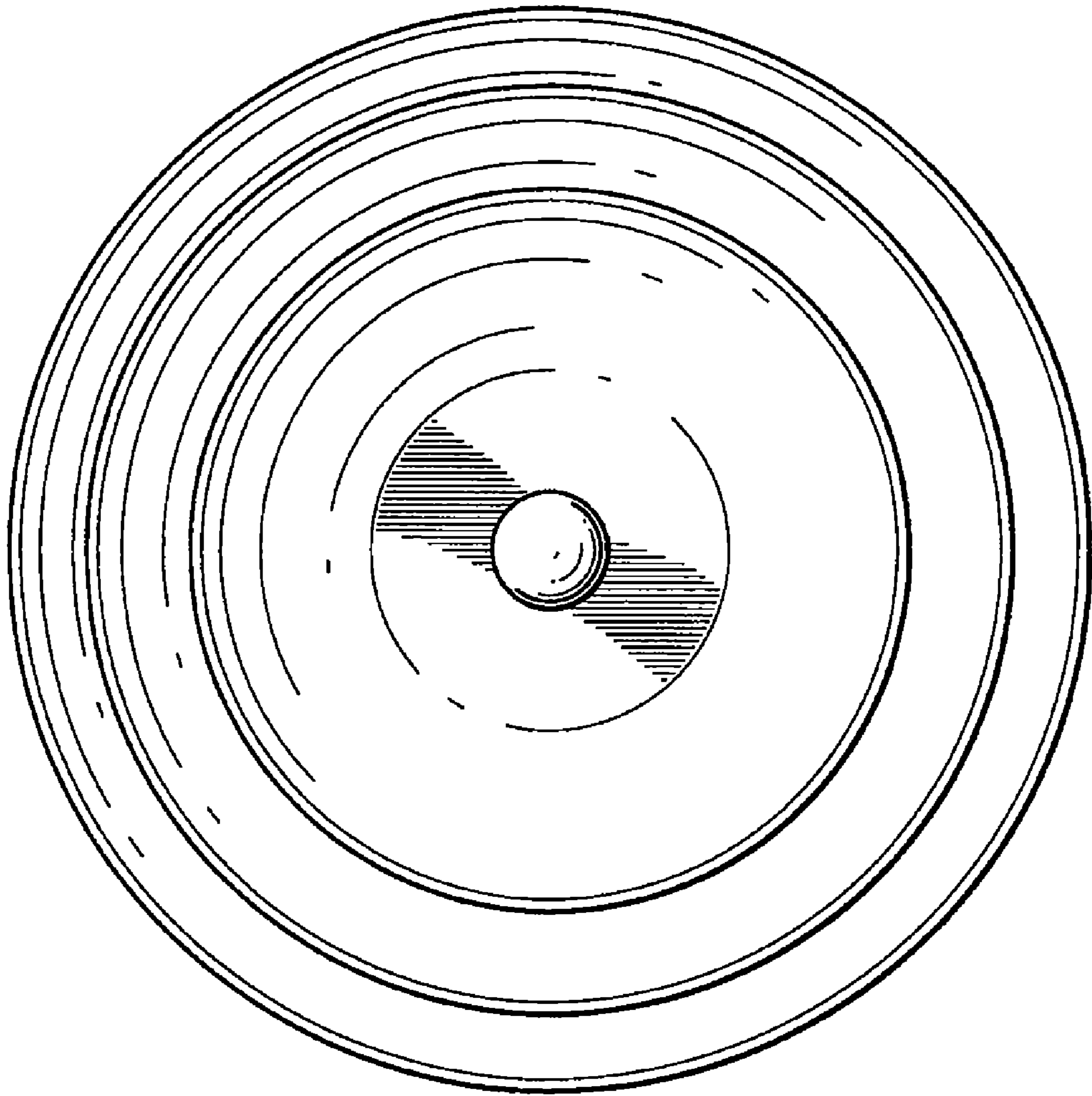


FIG. 3

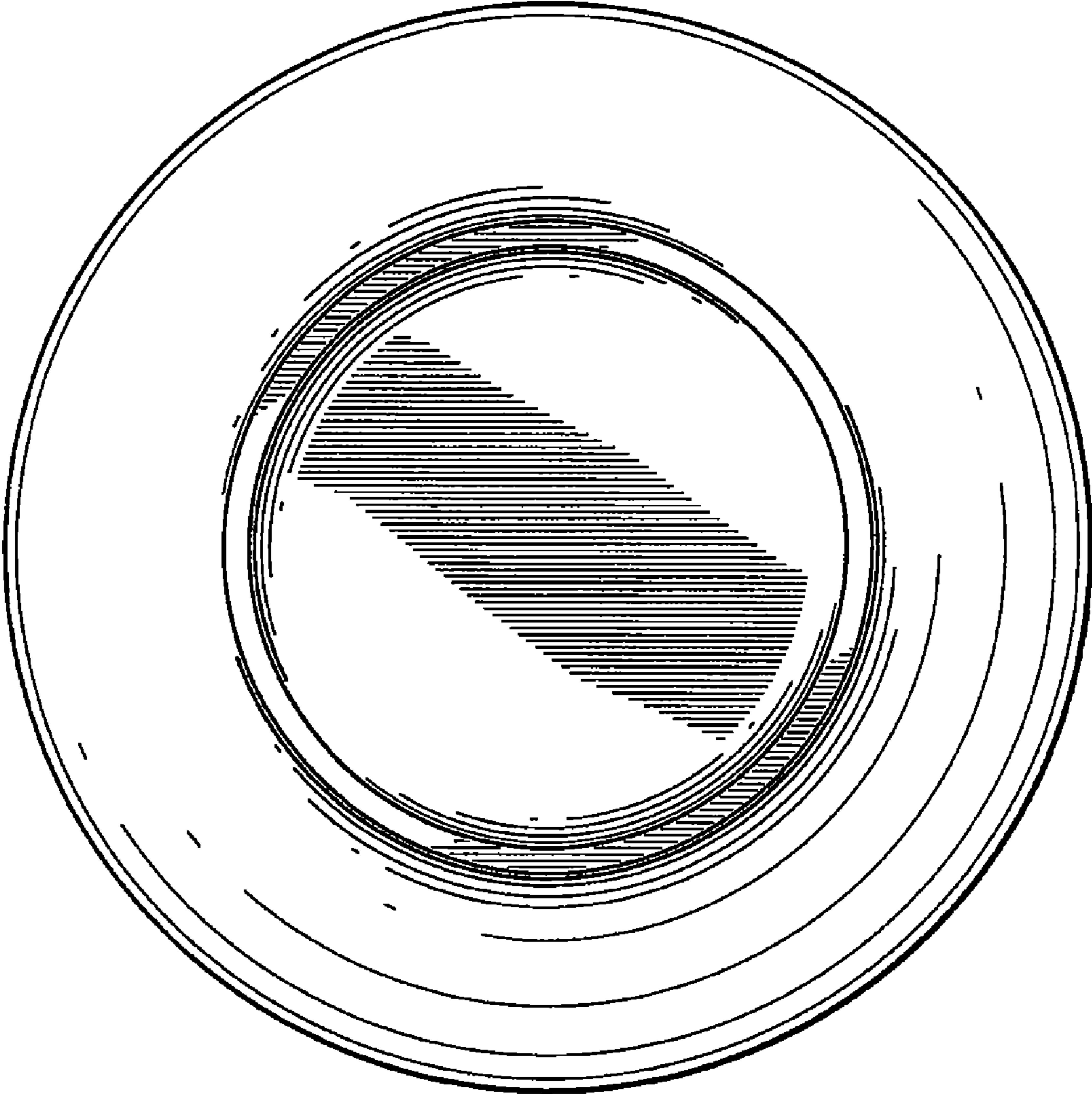


FIG.4