



US00D577961S

(12) **United States Design Patent**
O'Brien

(10) **Patent No.:** **US D577,961 S**
(45) **Date of Patent:** **** Oct. 7, 2008**

(54) **FLEXIBLE BOWL**

(76) Inventor: **Sarah Kathryn O'Brien**, P.O. Box
42989, Lafayette, LA (US) 70504

(**) Term: **14 Years**

(21) Appl. No.: **29/303,375**

(22) Filed: **Feb. 7, 2008**

(51) **LOC (8) Cl.** **07-01**

(52) **U.S. Cl.** **D7/557; D7/500**

(58) **Field of Classification Search** D7/586,
D7/376, 557, 555, 500, 513, 614, 501, 546,
D7/553.6, 554.1, 590, 600.4, 607; D6/405,
D6/403, 460; D11/143, 152; 229/400; 47/29.6,
47/82, 65.8, 47.01; 206/457, 562; 211/131.1,
211/77, 78; 220/506, 574; 219/732; 235/454;
108/94; D26/9

See application file for complete search history.

(56) **References Cited**

U.S. PATENT DOCUMENTS

387,280	A *	8/1888	Bruce et al.	211/69.4
D81,468	S *	6/1930	Simpson	D6/460
D193,308	S *	7/1962	Jackson	D7/501
3,252,252	A *	5/1966	Muelberger, Jr.	47/82
D232,793	S *	9/1974	Bennett	D6/469
4,844,243	A *	7/1989	Stiles	206/457
5,309,671	A *	5/1994	Byun	47/83
D406,015	S *	2/1999	Tisdale	D7/614
D435,740	S *	1/2001	Han	D6/405
D464,166	S *	10/2002	Shieh	D26/133
D493,384	S *	7/2004	Jensen	D11/143
D522,404	S *	6/2006	Kerdil	D11/143
D567,585	S *	4/2008	Kovach	D7/501

* cited by examiner

Primary Examiner—Gary D. Watson

Assistant Examiner—Cynthia Underwood

(74) *Attorney, Agent, or Firm*—Senniger Powers LLP

(57) **CLAIM**

The ornamental design for a flexible bowl, as shown and described.

DESCRIPTION

FIG. 1 is a perspective of a flexible bowl of the present invention;

FIG. 2 is a front elevation thereof, the rear elevation being identical thereto;

FIG. 3 is a right side elevation thereof, the left side elevation being identical thereto;

FIG. 4 is a top plan thereof;

FIG. 5 is a bottom plan thereof;

FIG. 6 is a perspective of the flexible bowl flexed into a first alternative configuration;

FIG. 7 is a front elevation thereof, the rear elevation being identical thereto;

FIG. 8 is a right side elevation thereof, the left side elevation being identical thereto;

FIG. 9 is a top plan thereof;

FIG. 10 is a bottom plan thereof;

FIG. 11 is a perspective of the flexible bowl flexed into a second alternative configuration;

FIG. 12 is a front elevation thereof, the rear elevation being identical thereto;

FIG. 13 is a right side elevation thereof, the left side elevation being identical thereto;

FIG. 14 is a top plan thereof;

FIG. 15 is a bottom plan thereof;

FIG. 16 is a perspective of the flexible bowl flexed into a third alternative configuration;

FIG. 17 is a front elevation thereof, the rear elevation being a mirror image thereof;

FIG. 18 is a right side elevation thereof;

FIG. 19 is a left side elevation thereof;

FIG. 20 is a top plan thereof; and,

FIG. 21 is a bottom plan thereof.

1 Claim, 21 Drawing Sheets

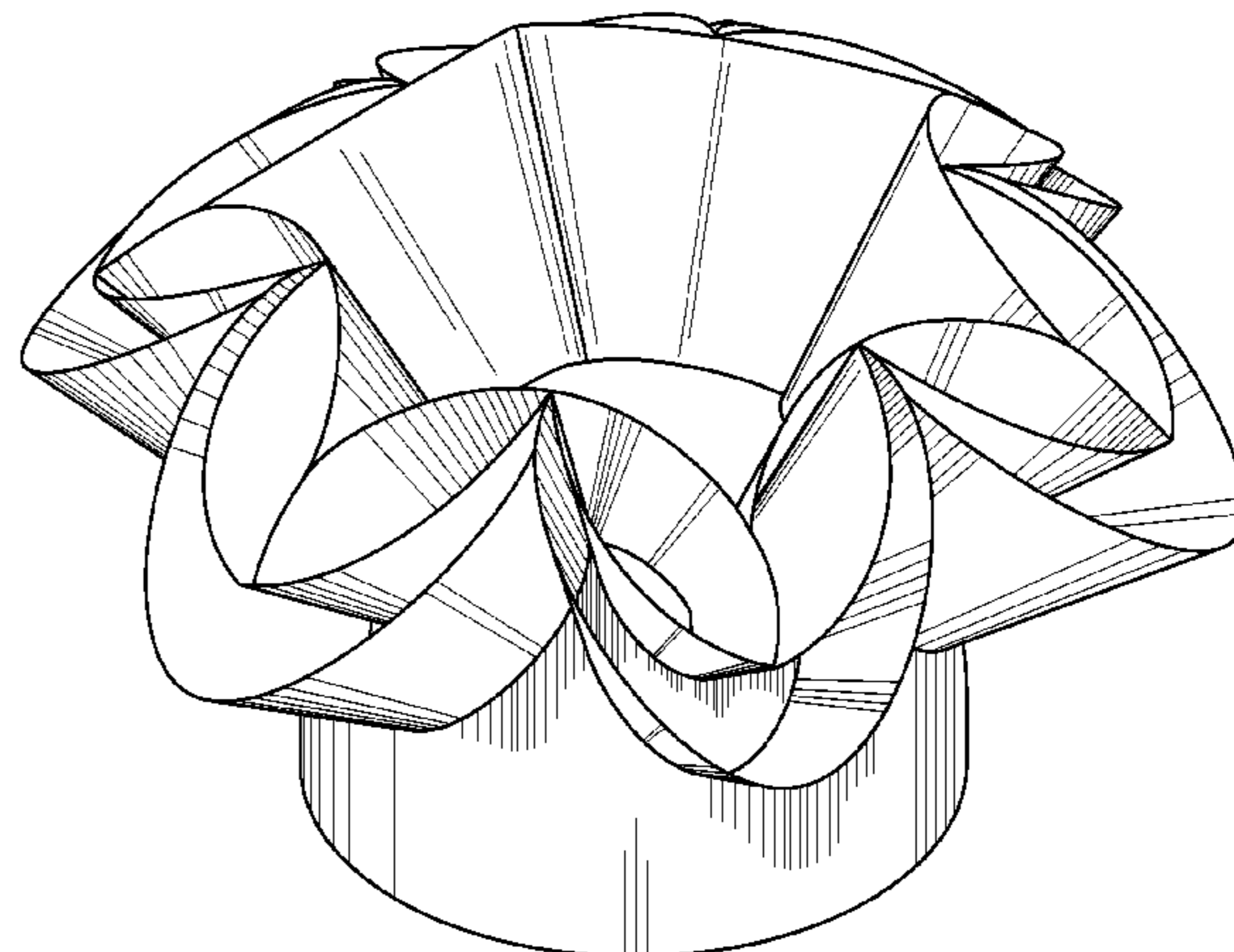
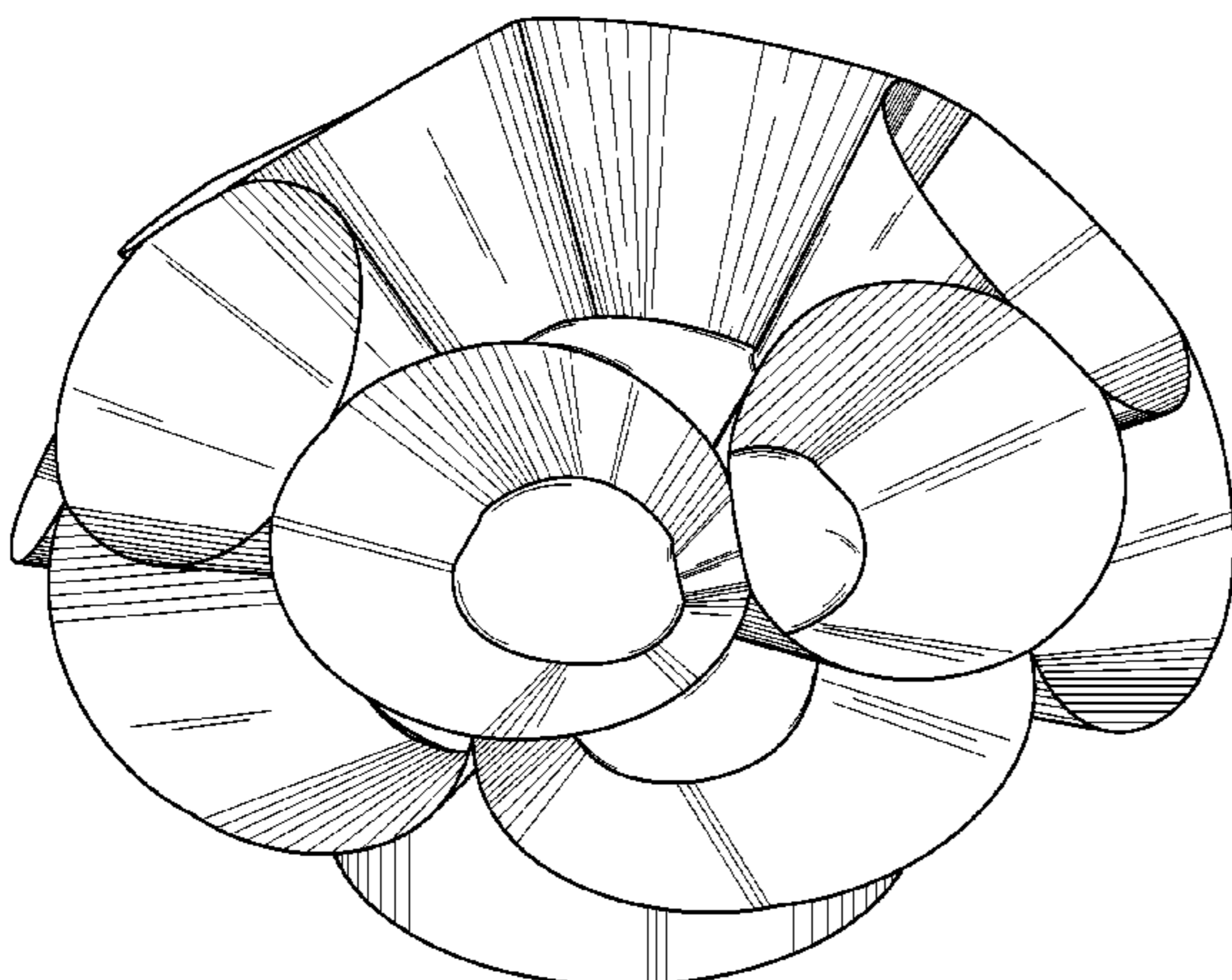


FIG. 1

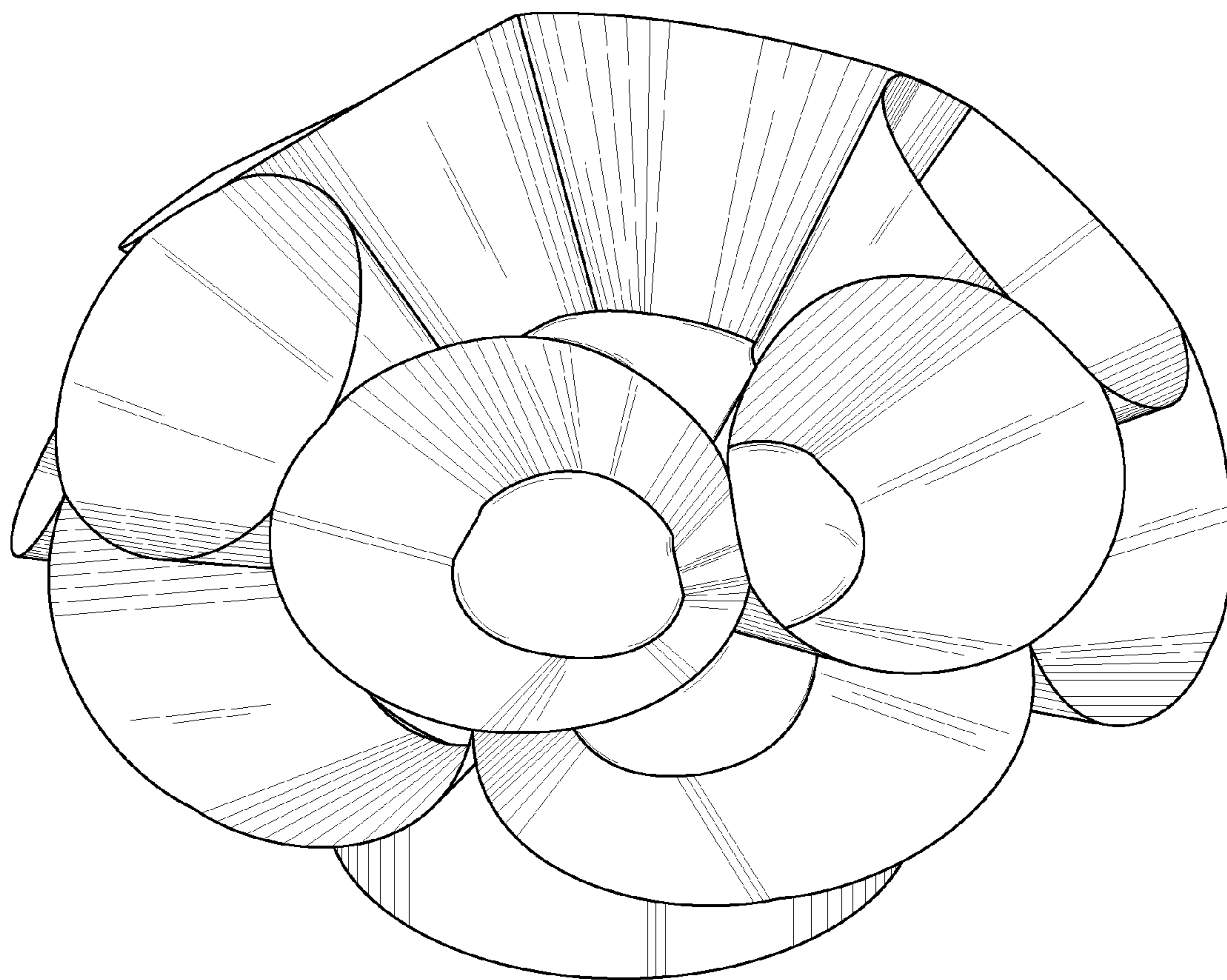


FIG. 2

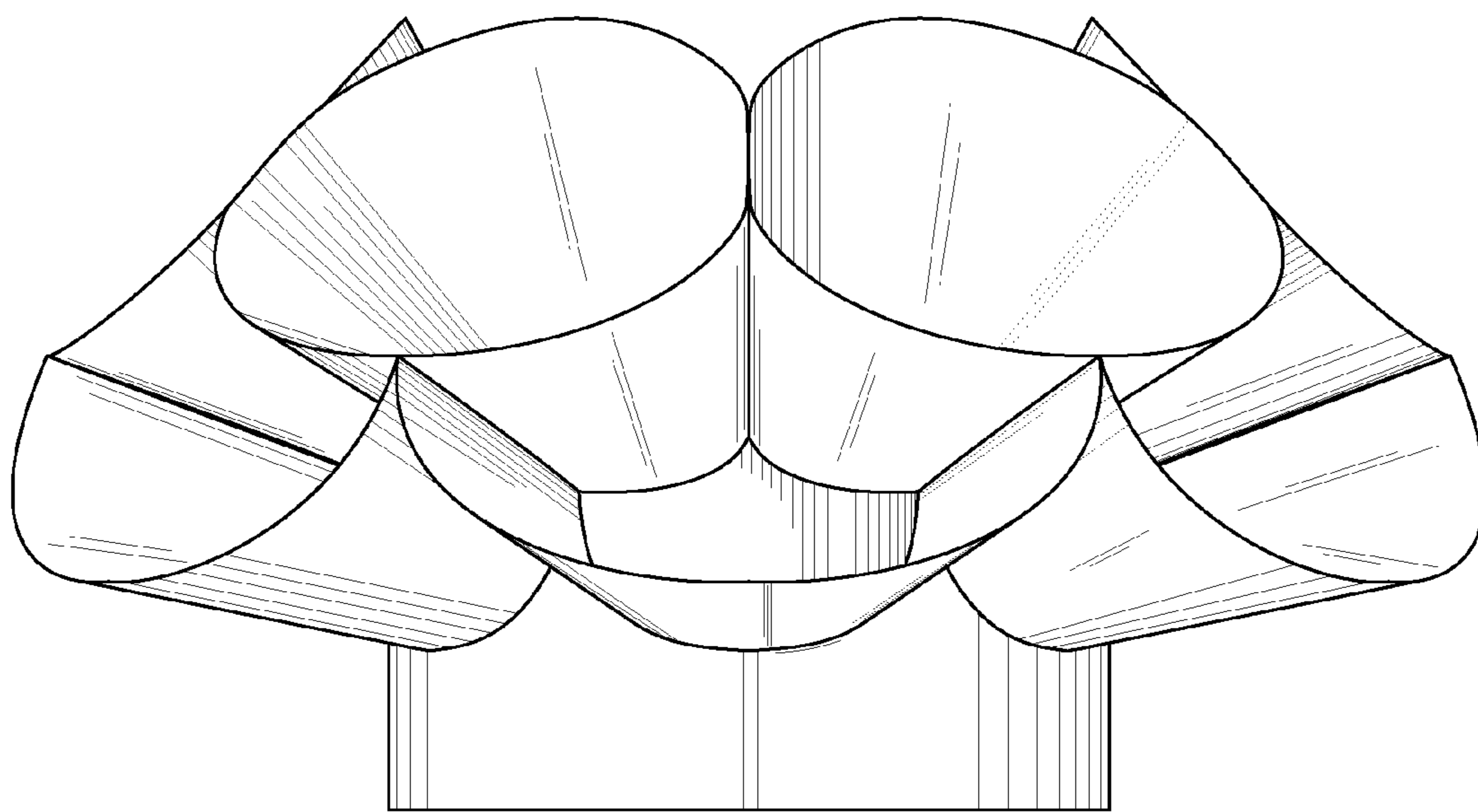


FIG. 3

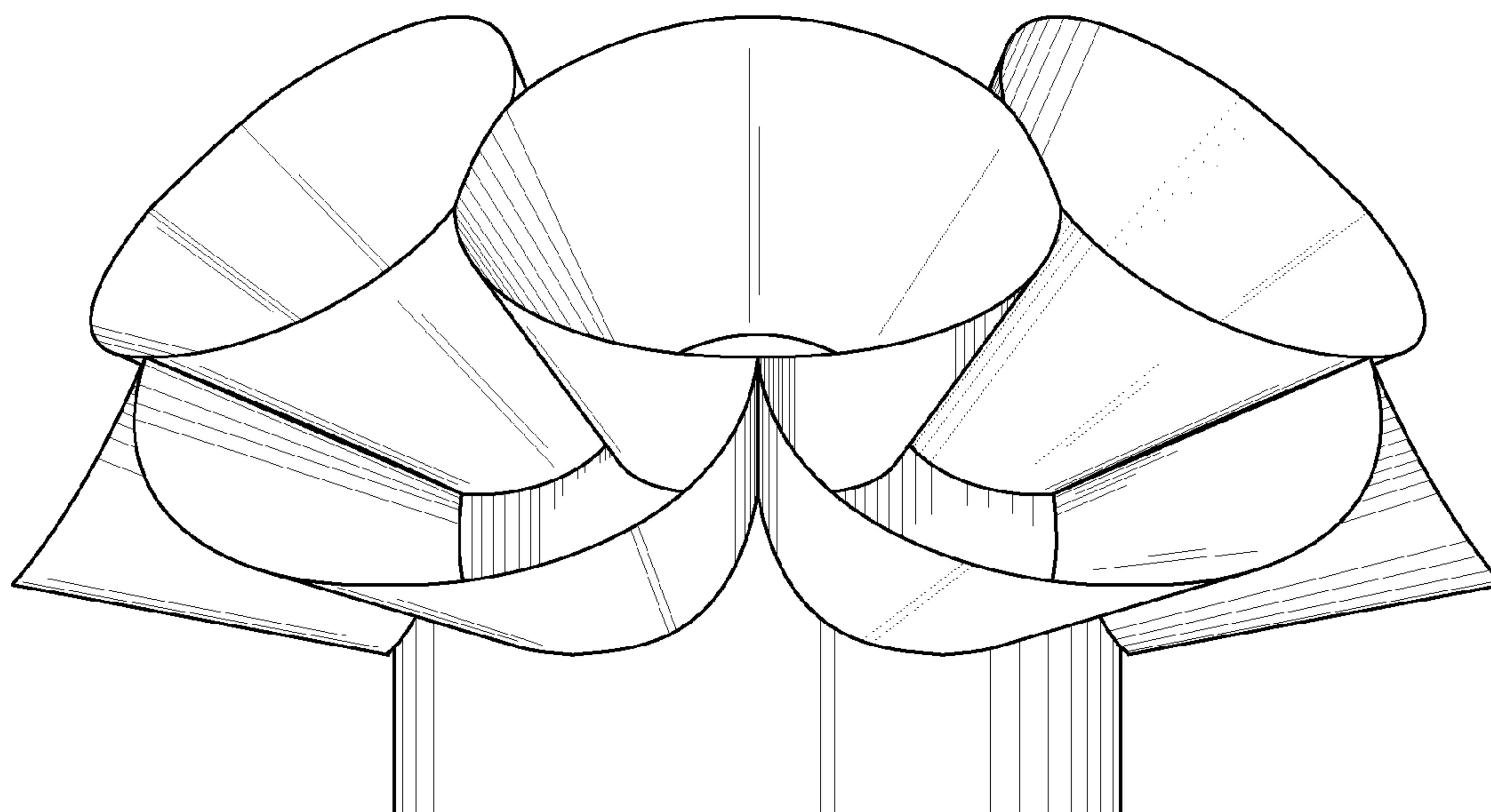


FIG. 4

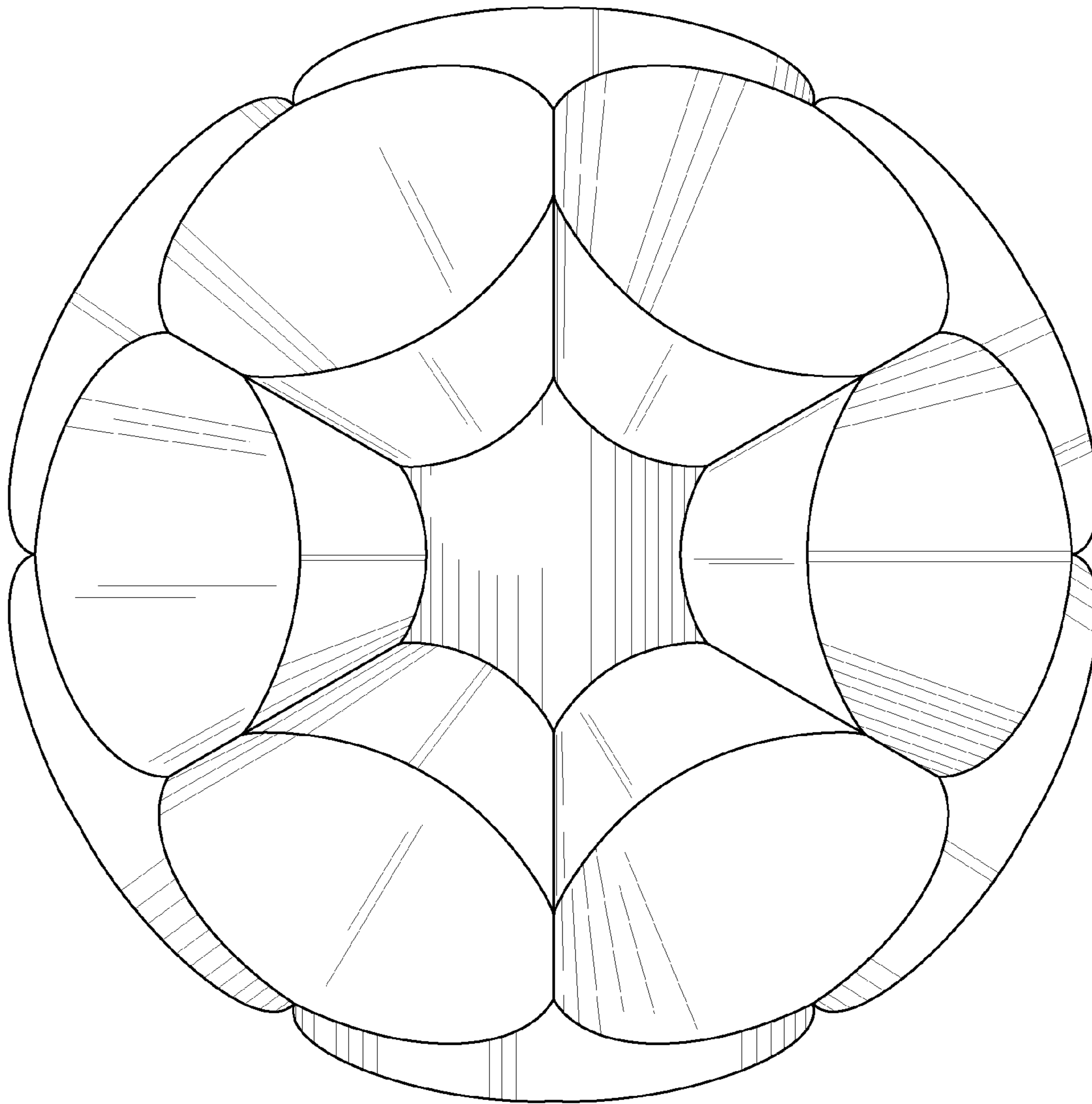


FIG. 5

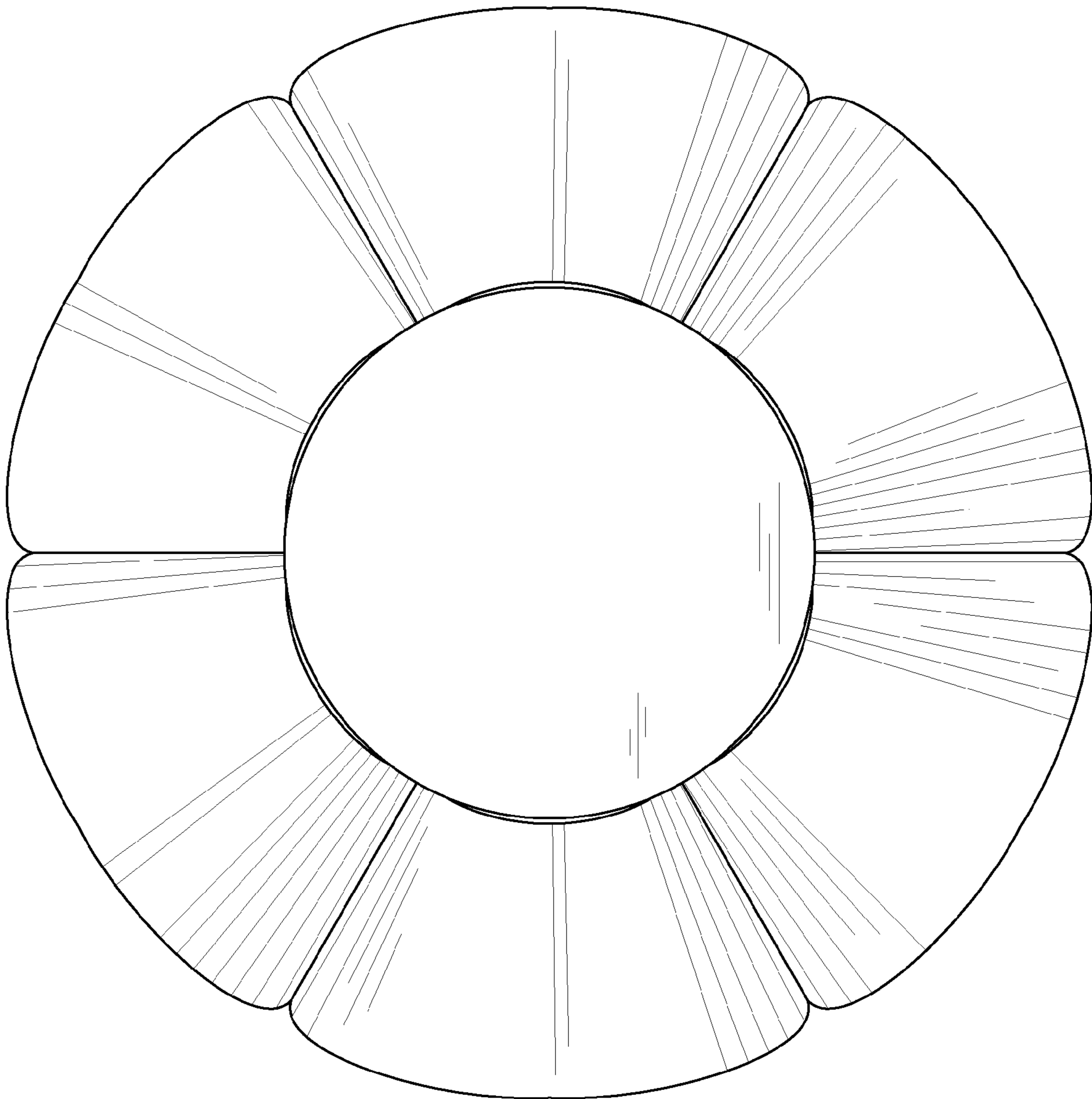


FIG. 6

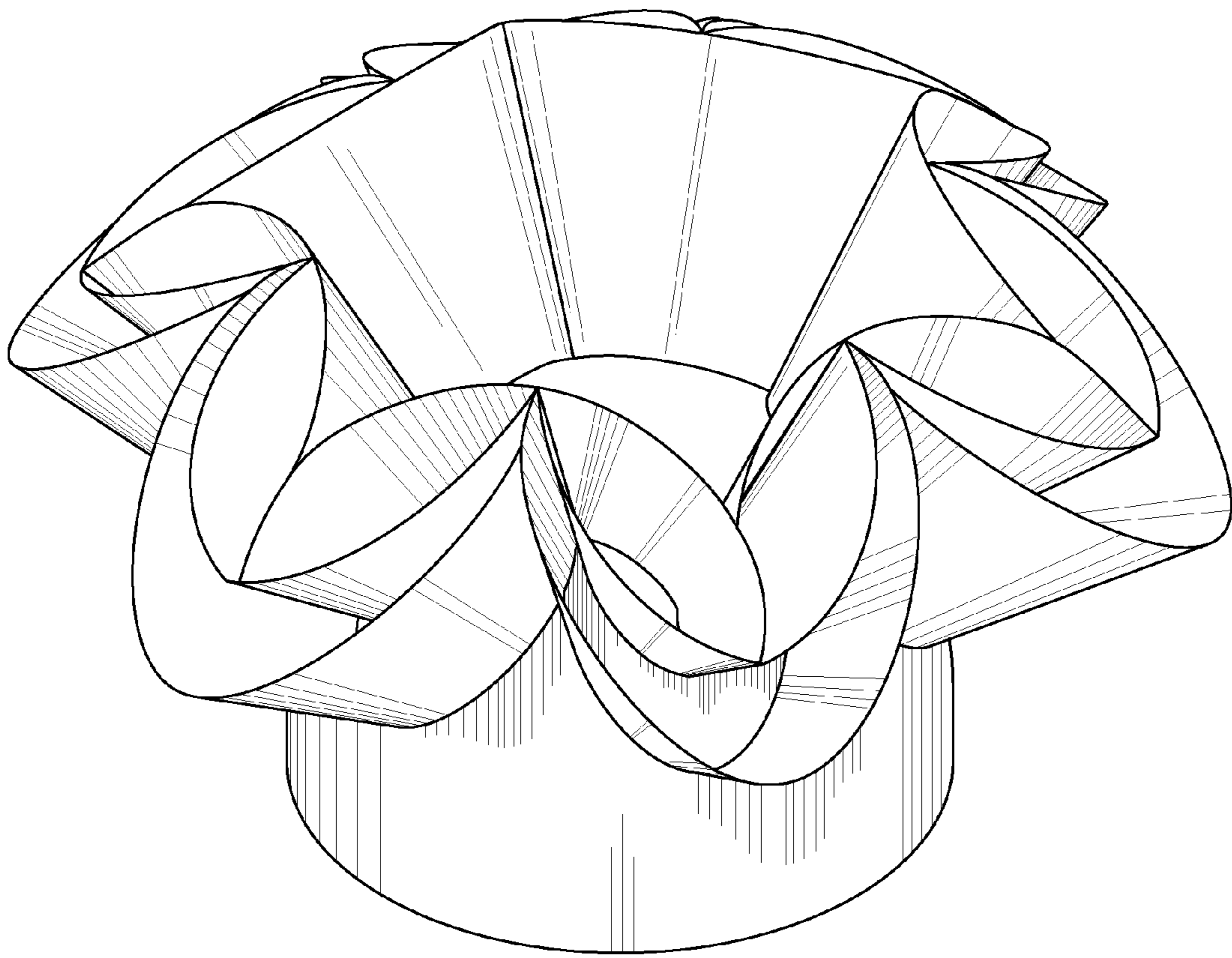


FIG. 7

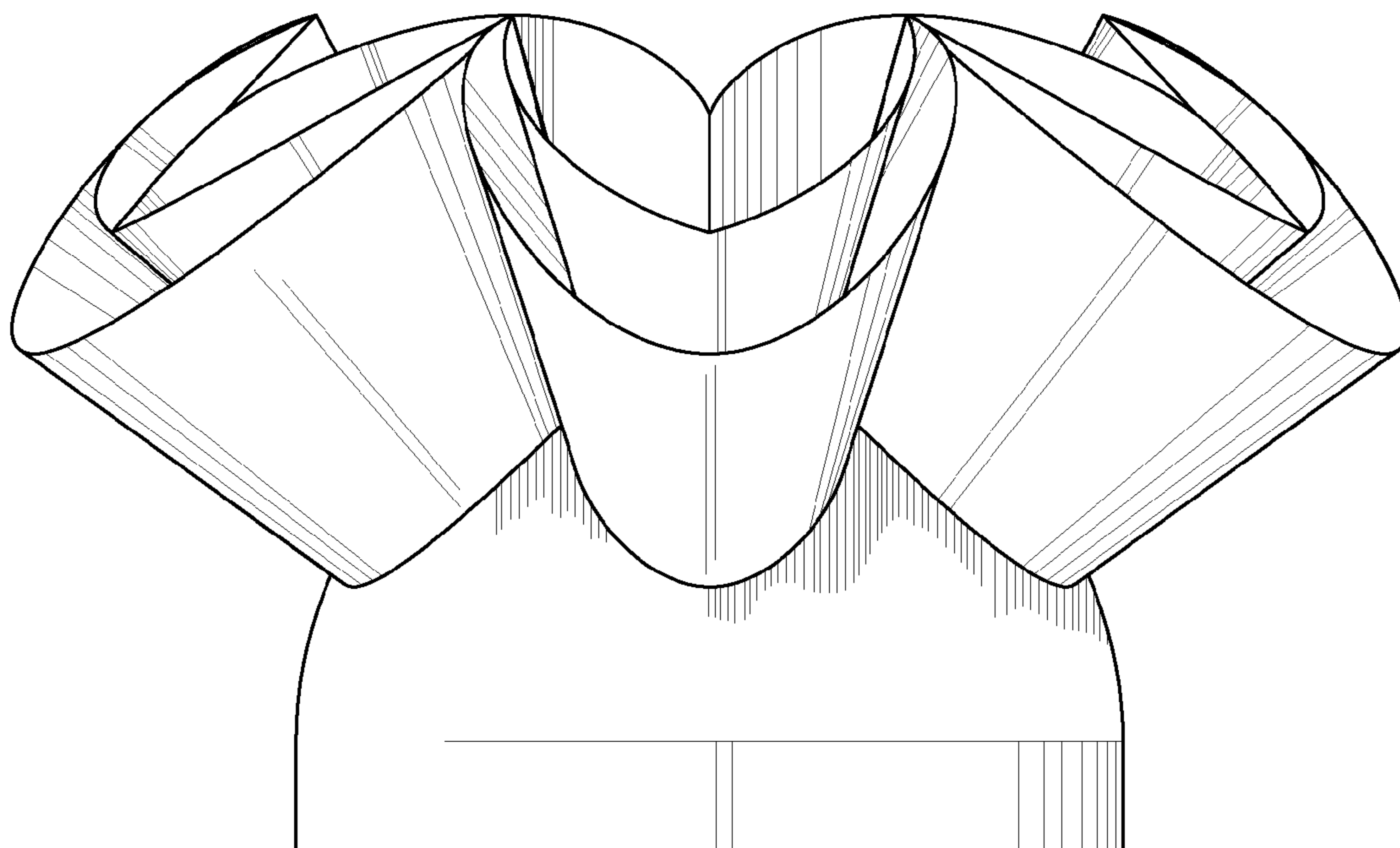


FIG. 8

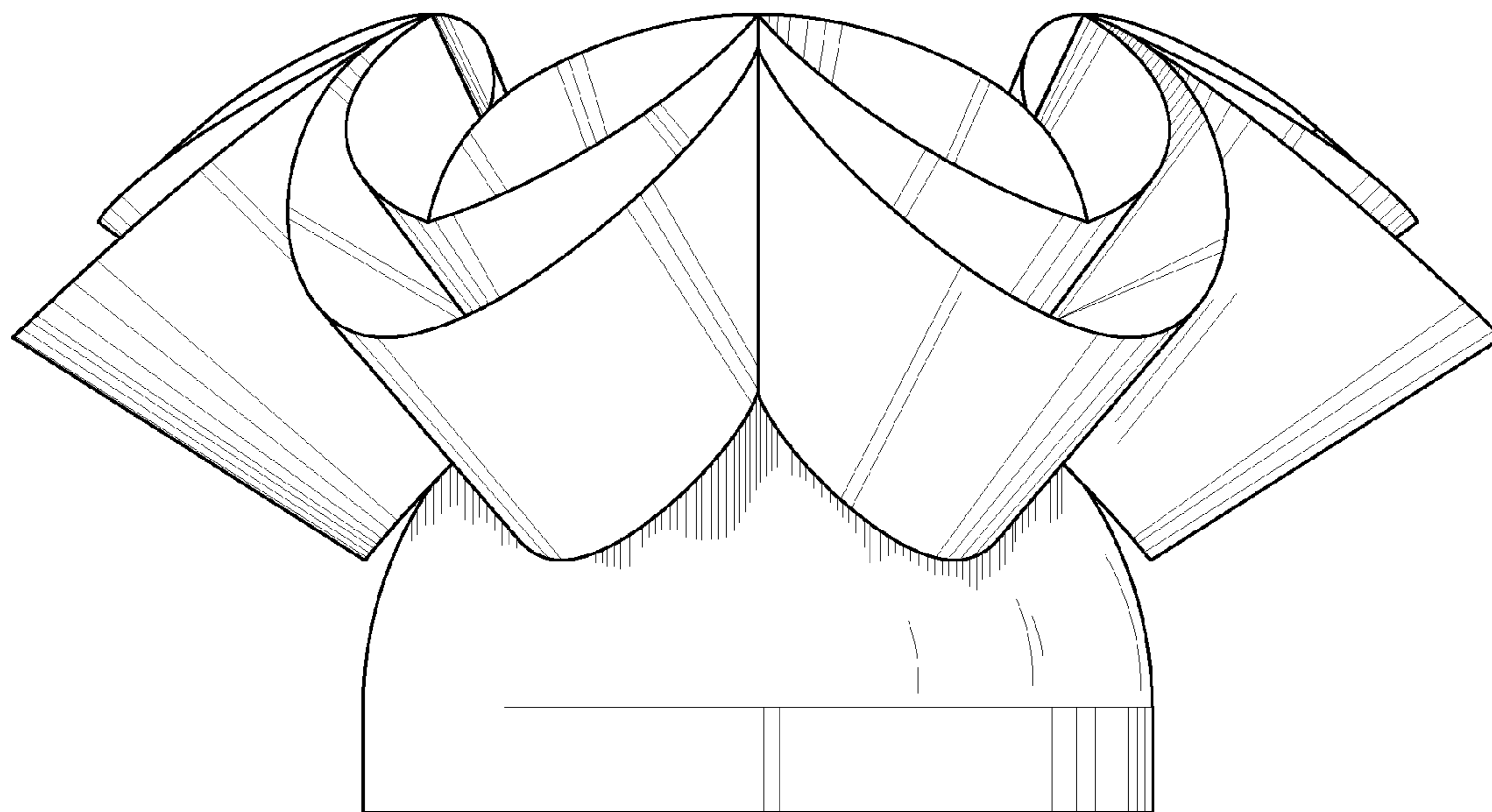


FIG. 9

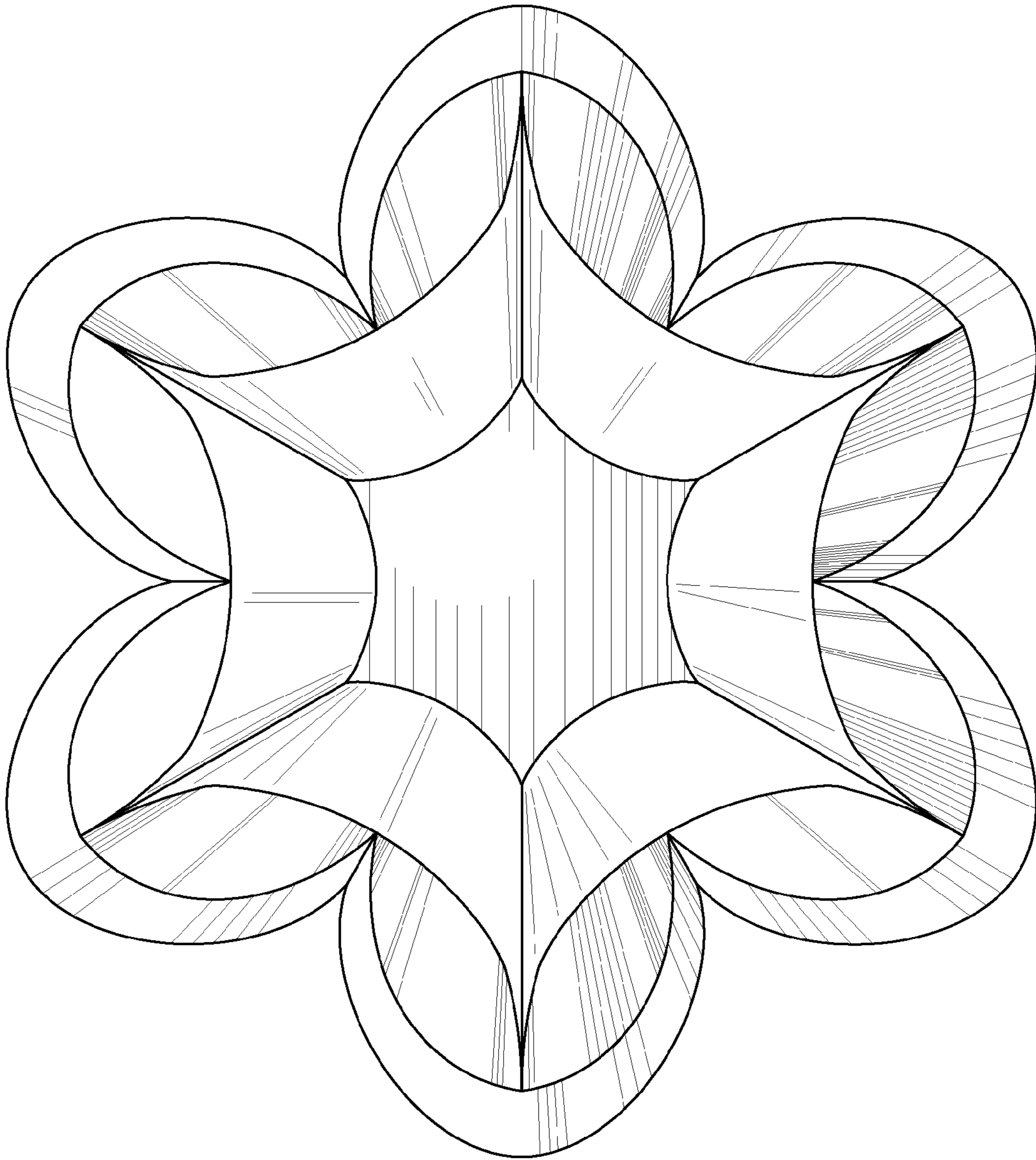


FIG. 10

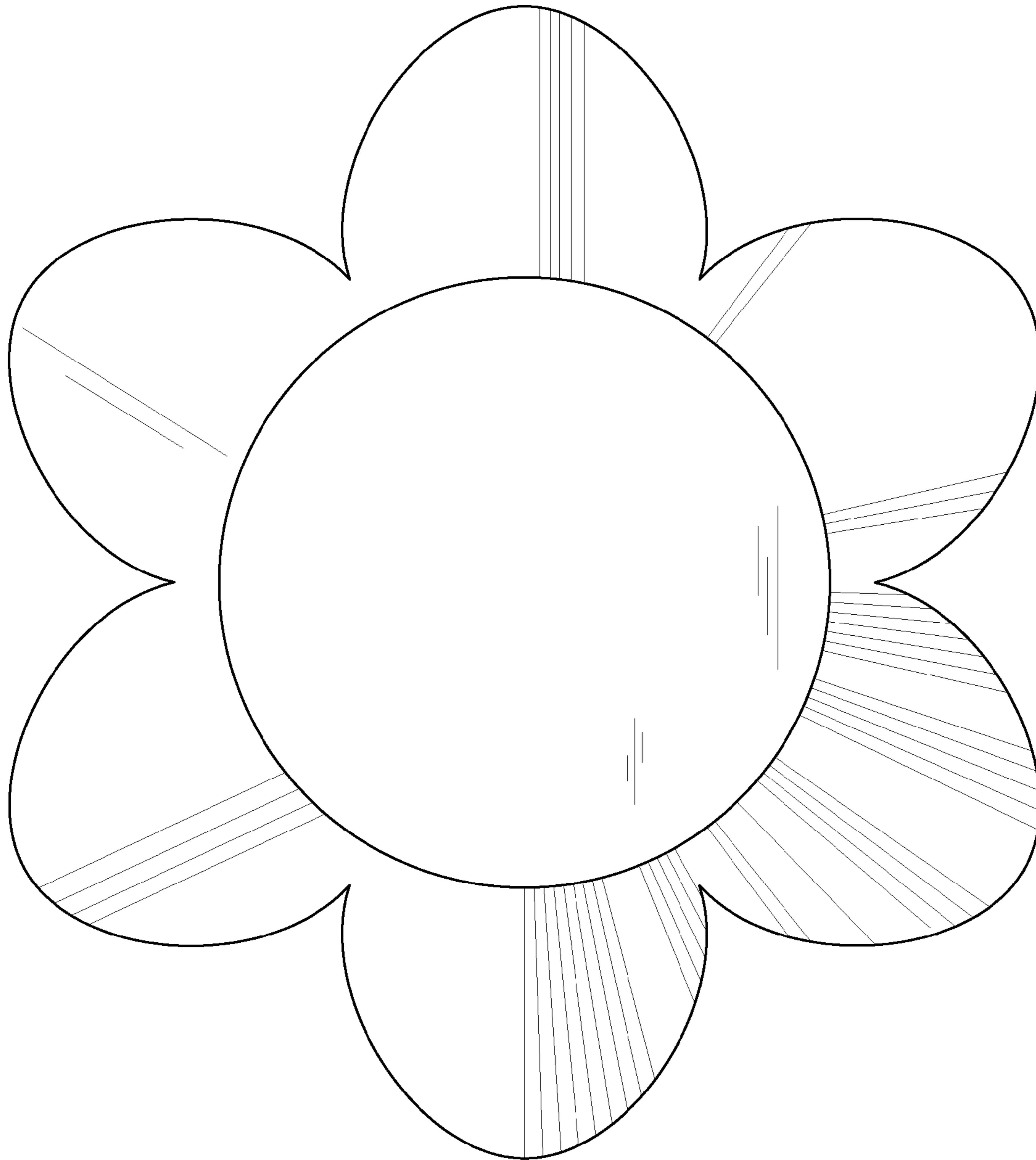


FIG. 11

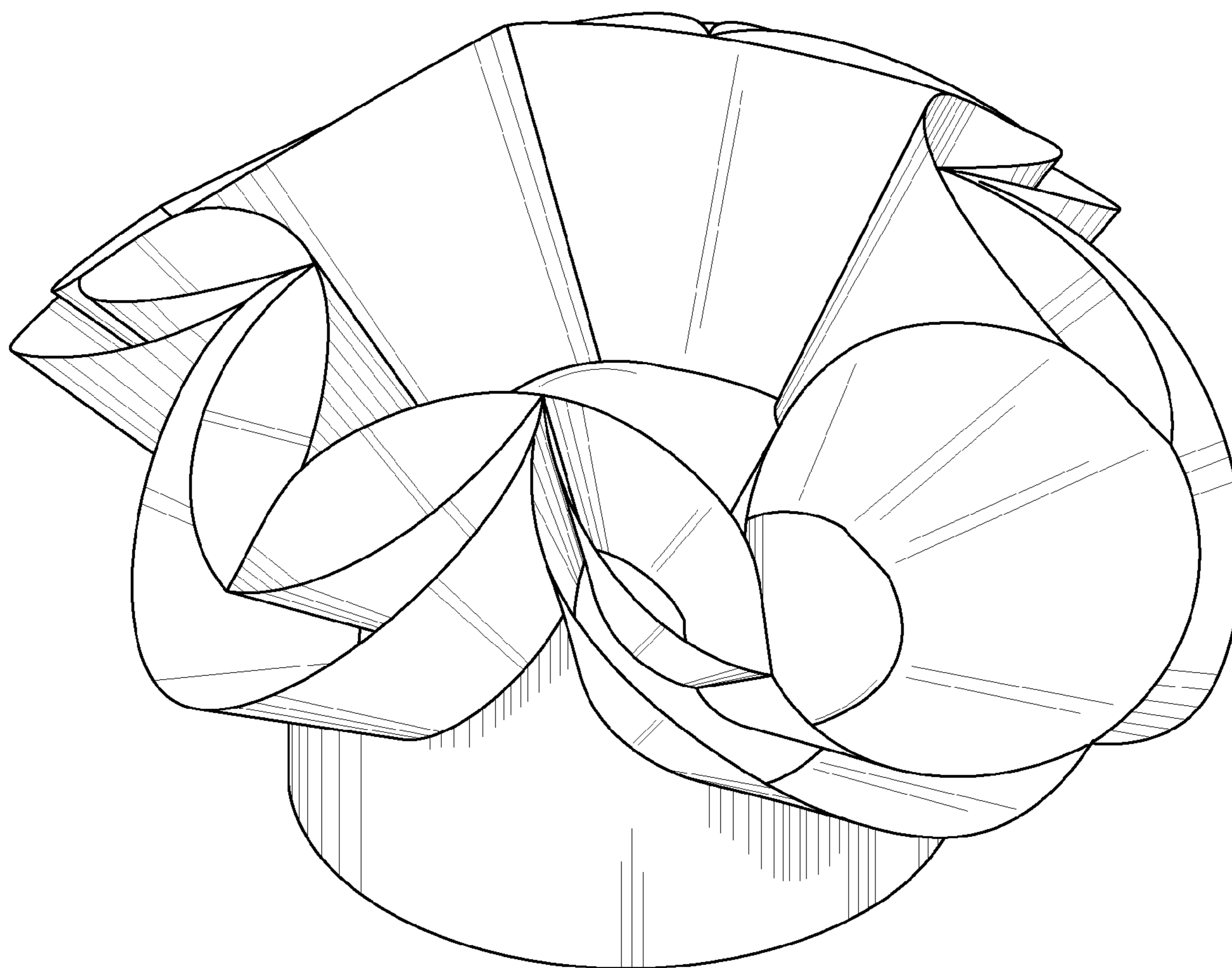


FIG. 12

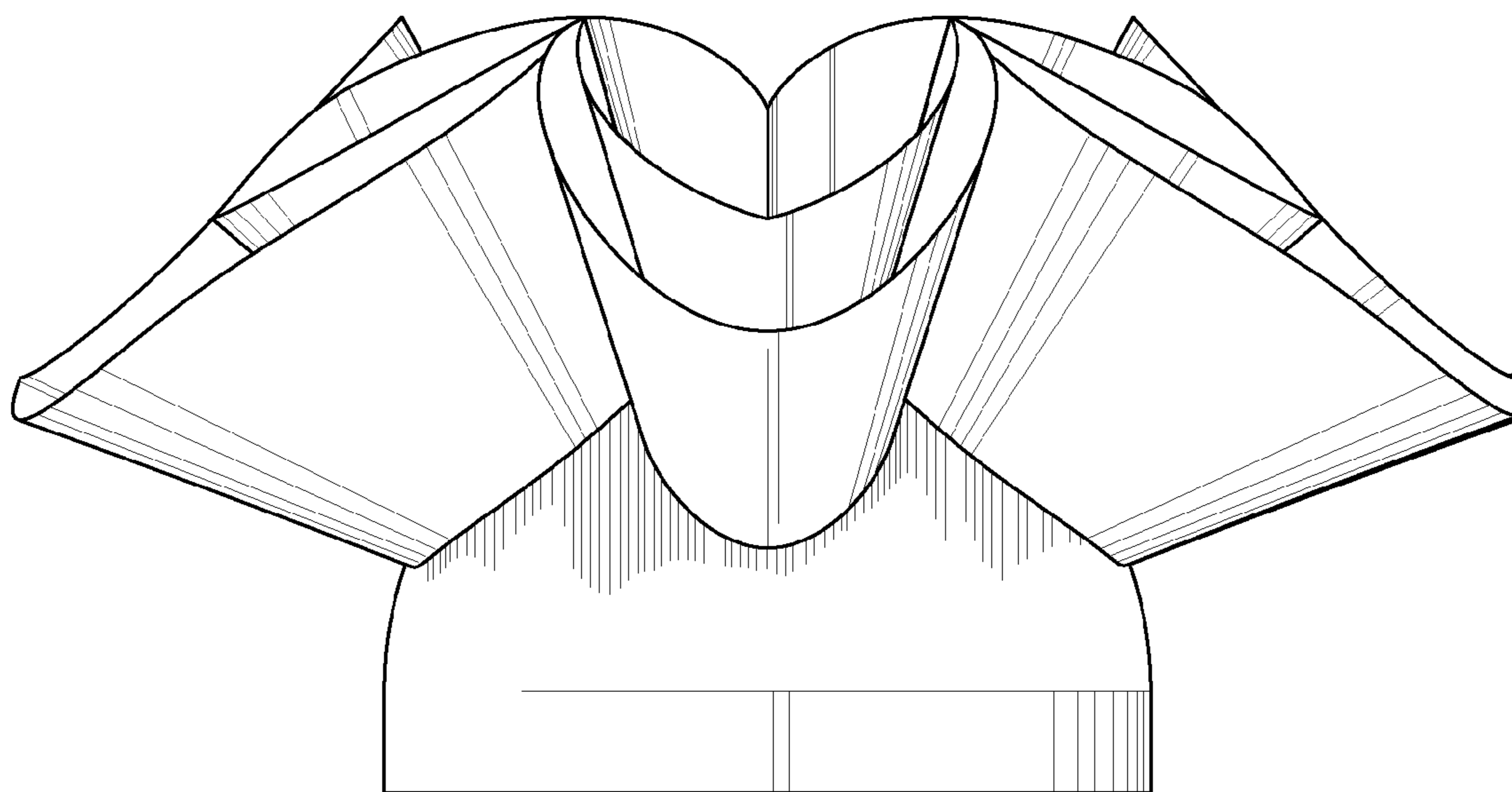


FIG. 13

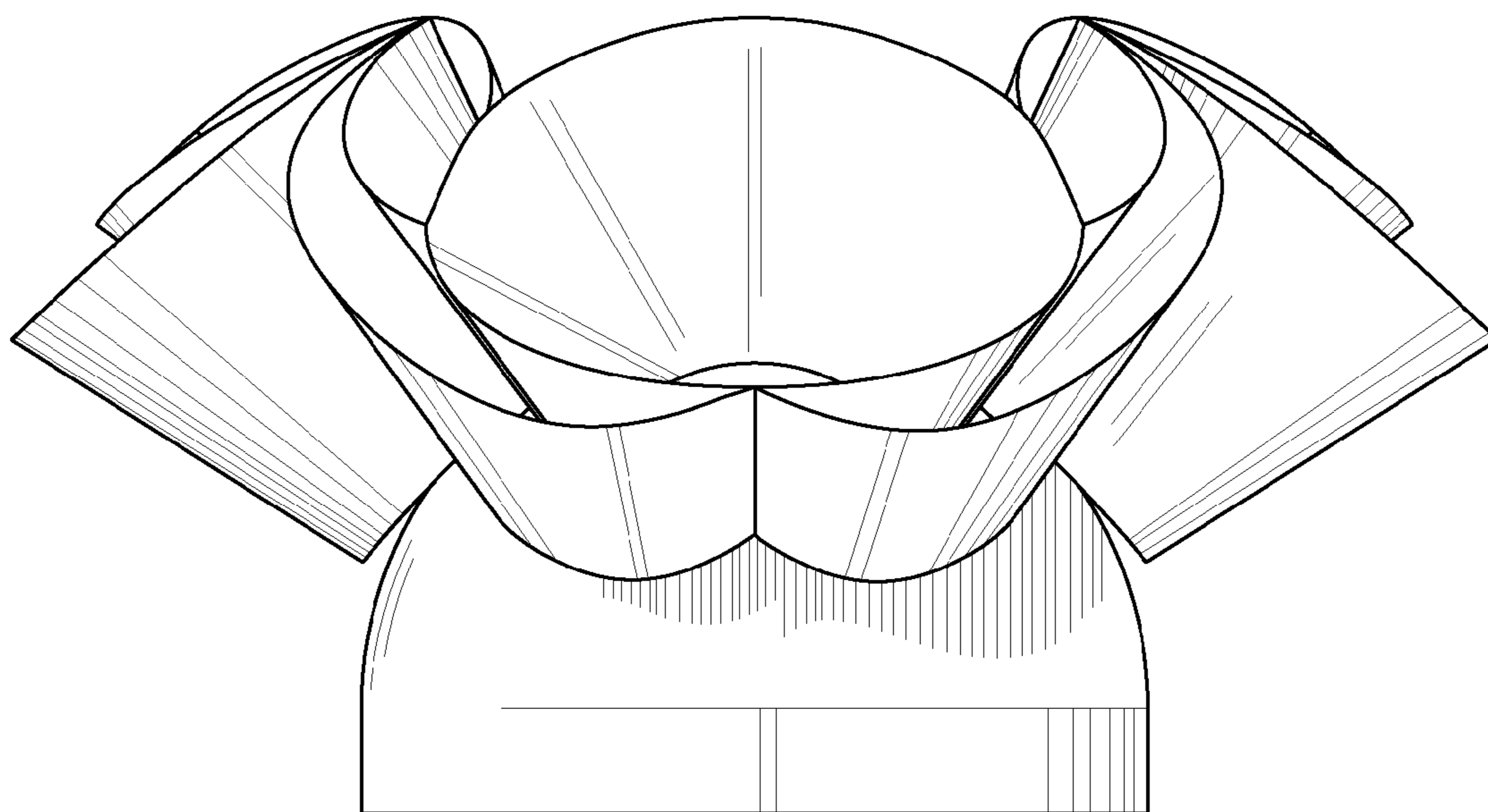


FIG. 14

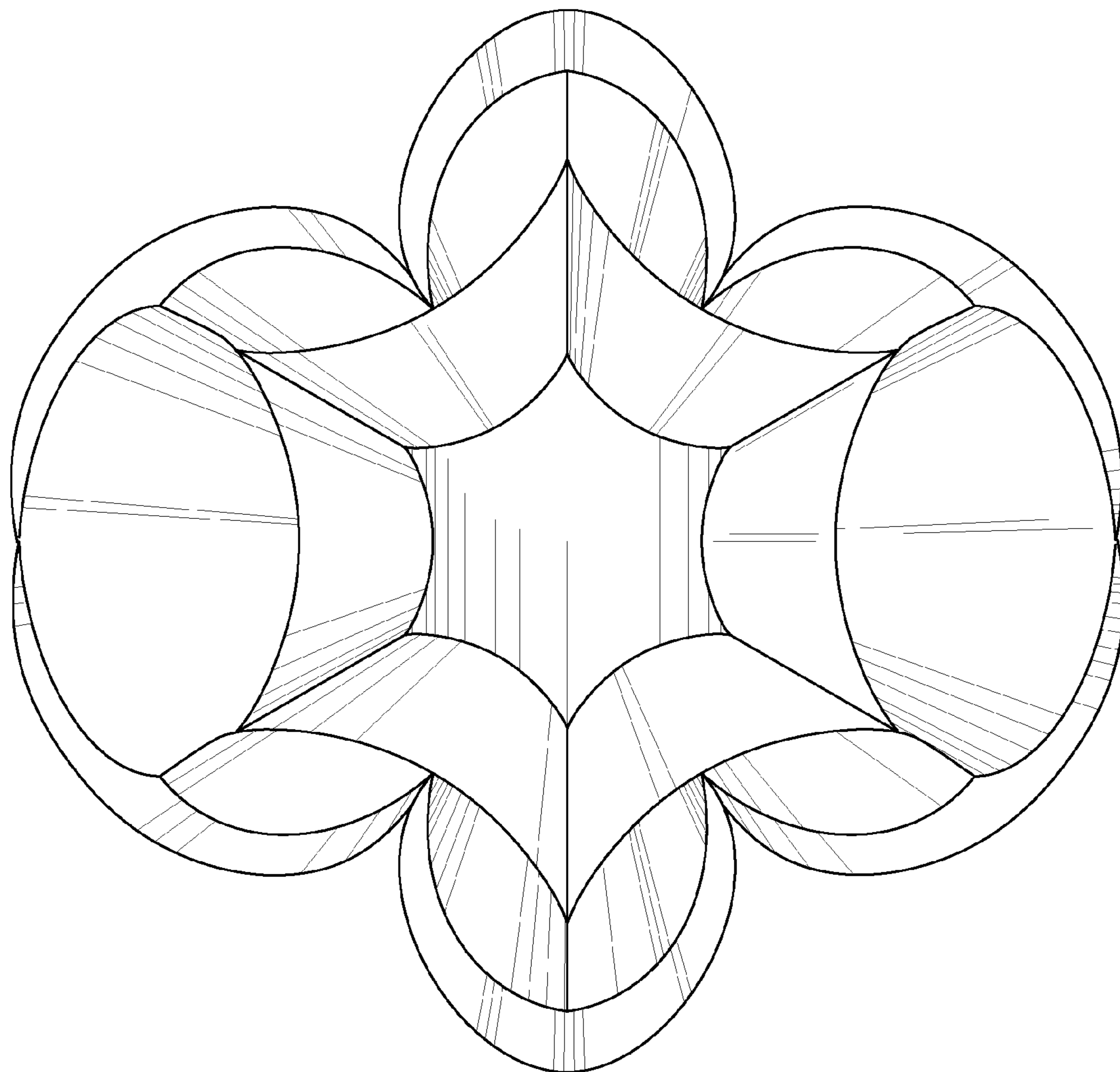


FIG. 15

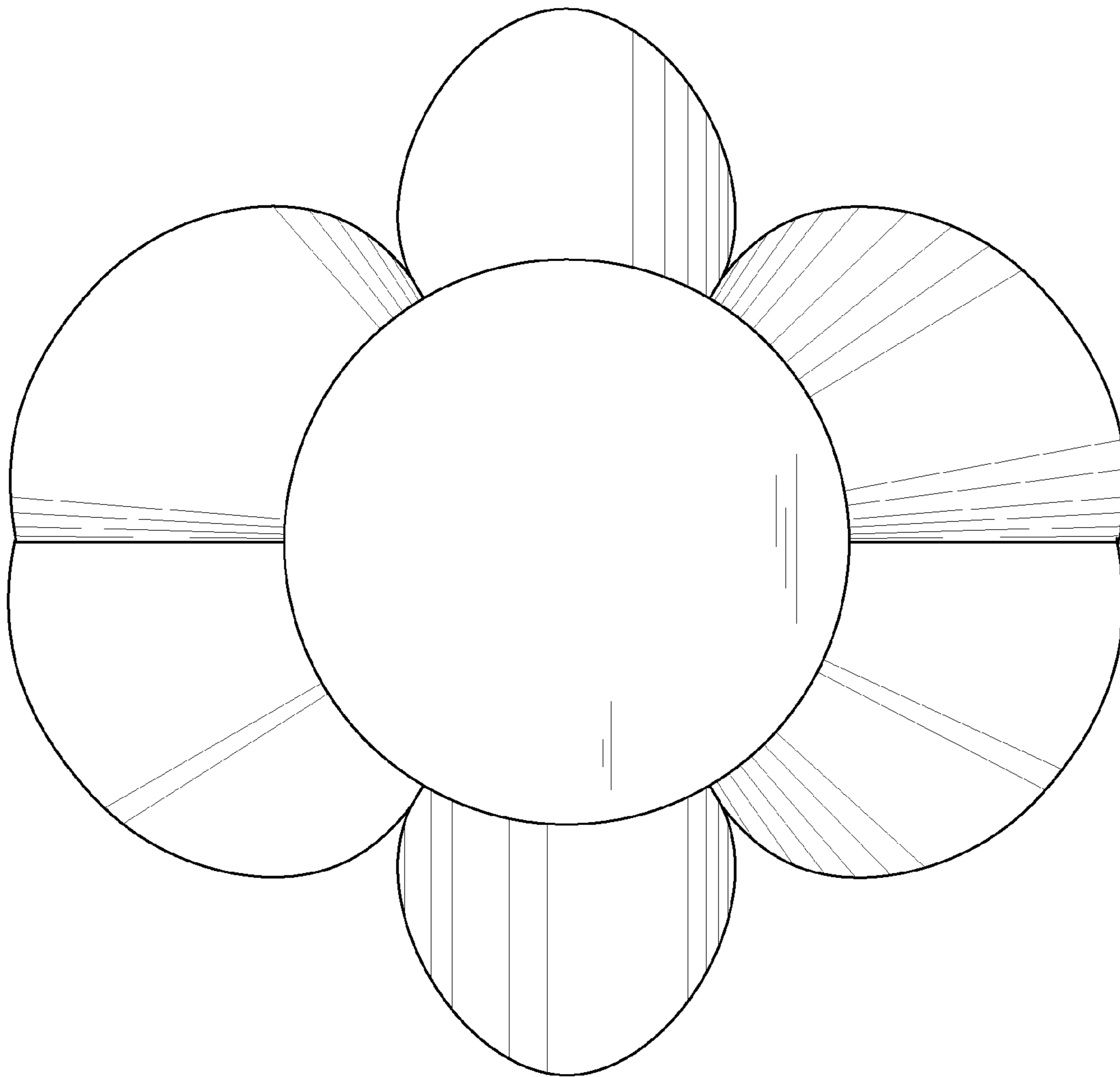


FIG. 16

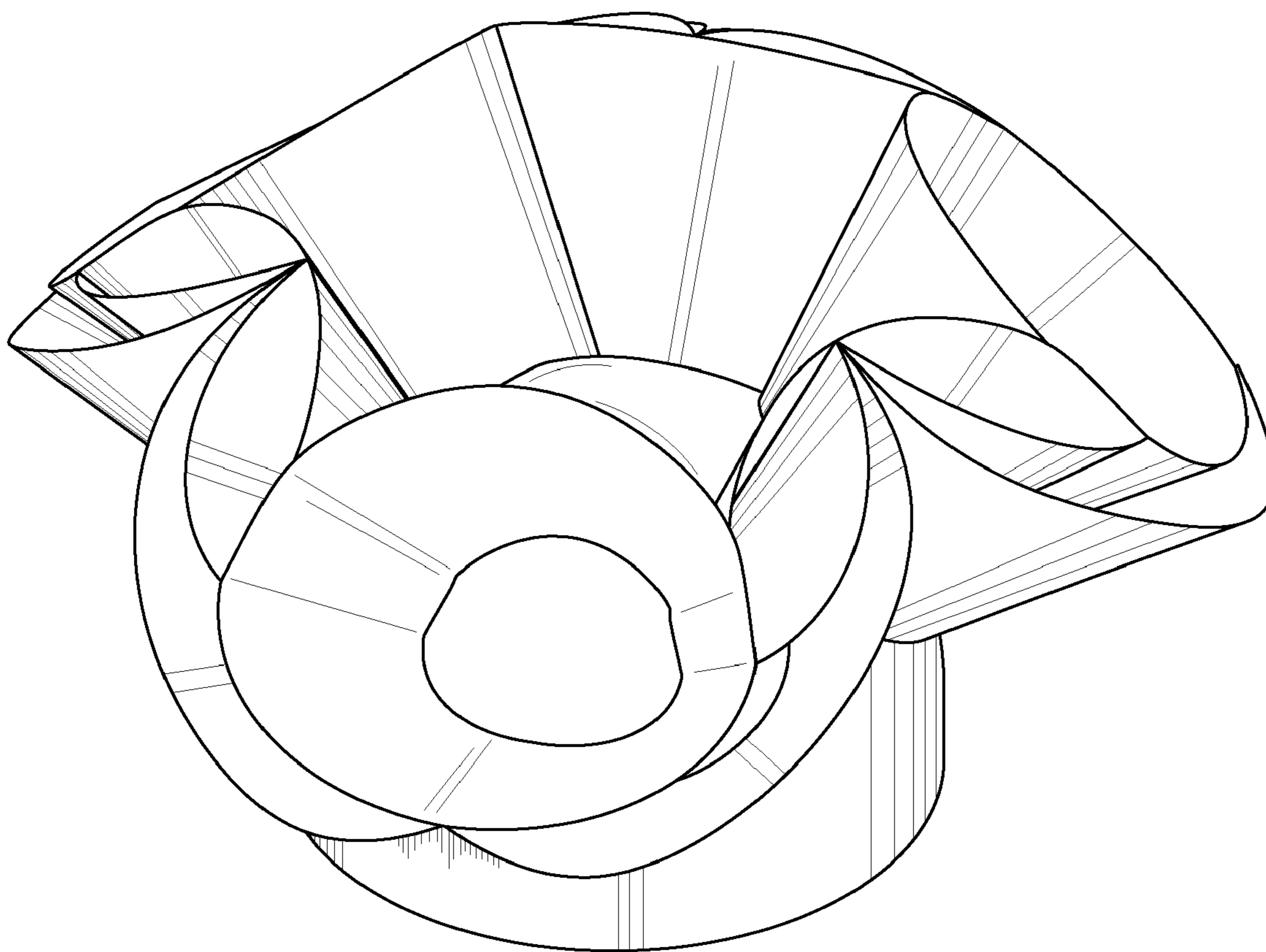


FIG. 17

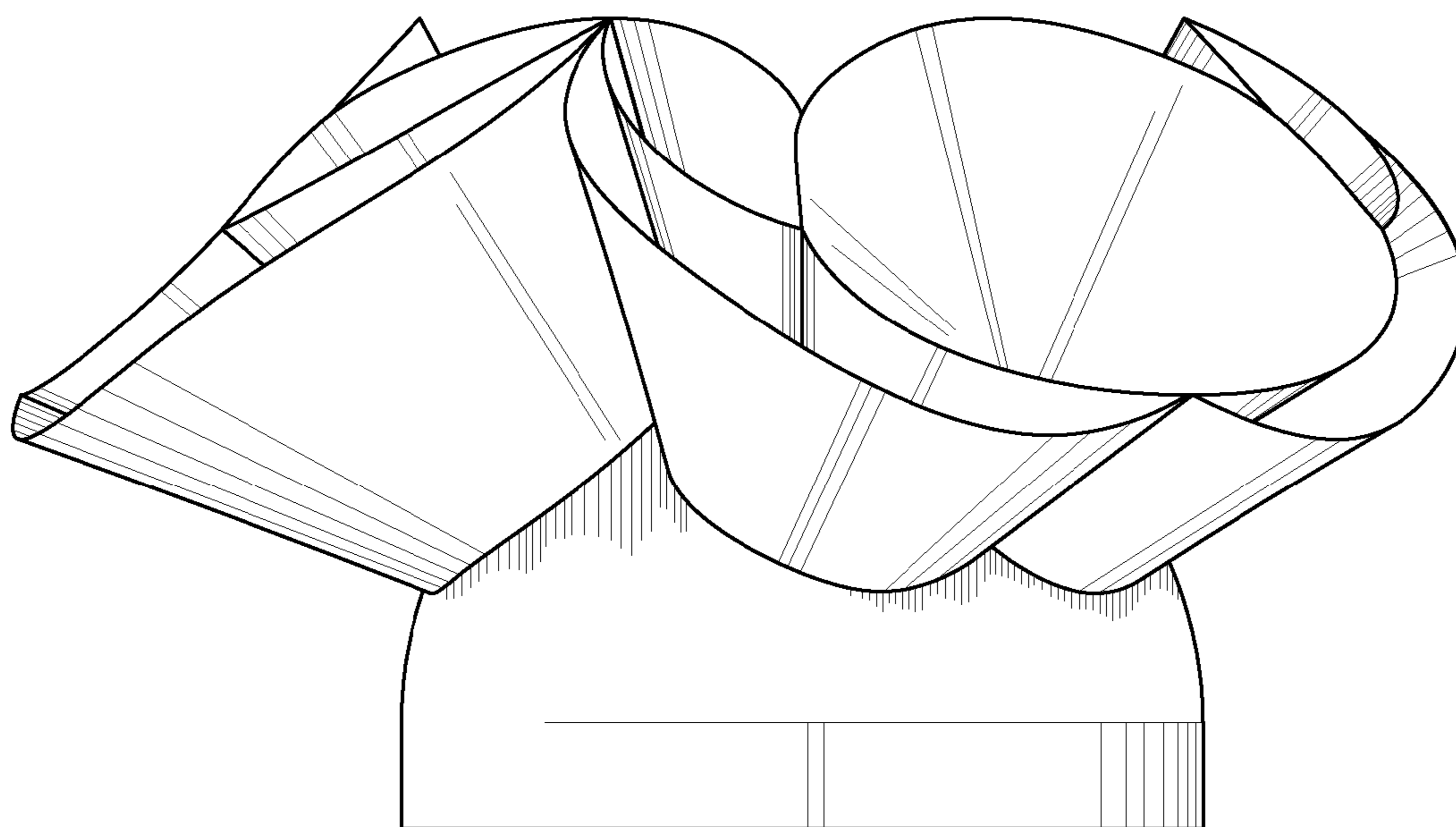


FIG. 18

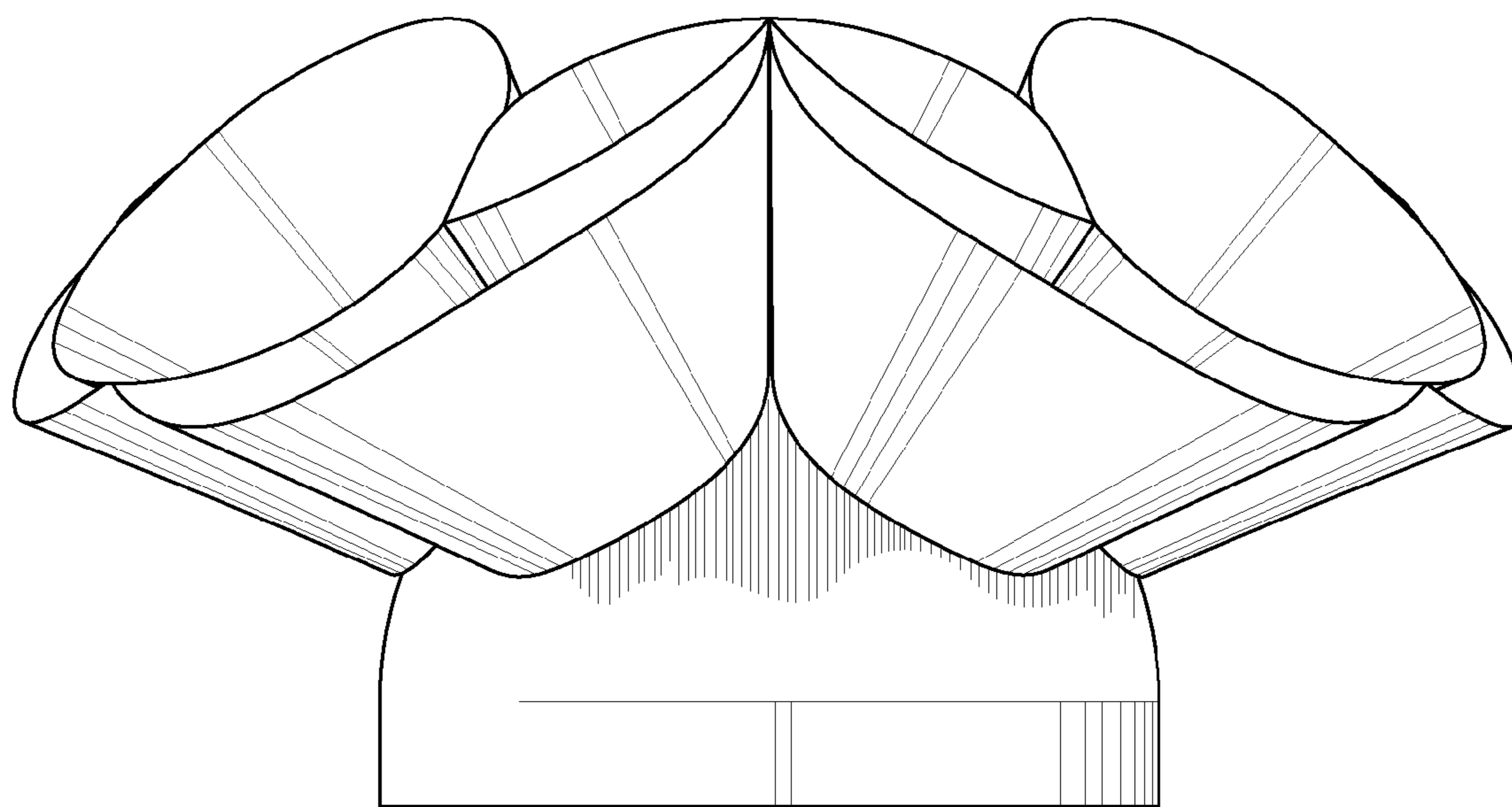


FIG. 19

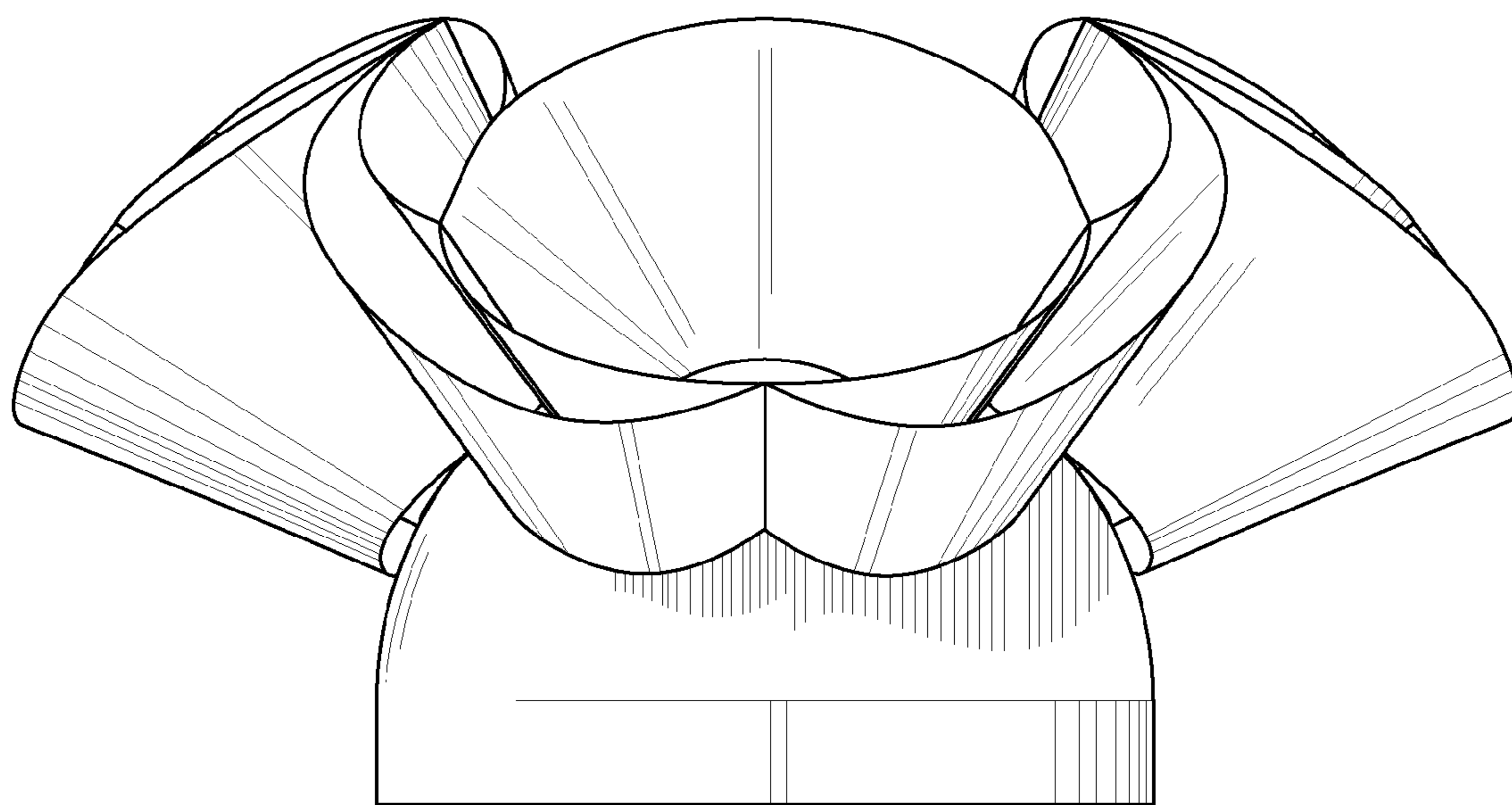


FIG. 20

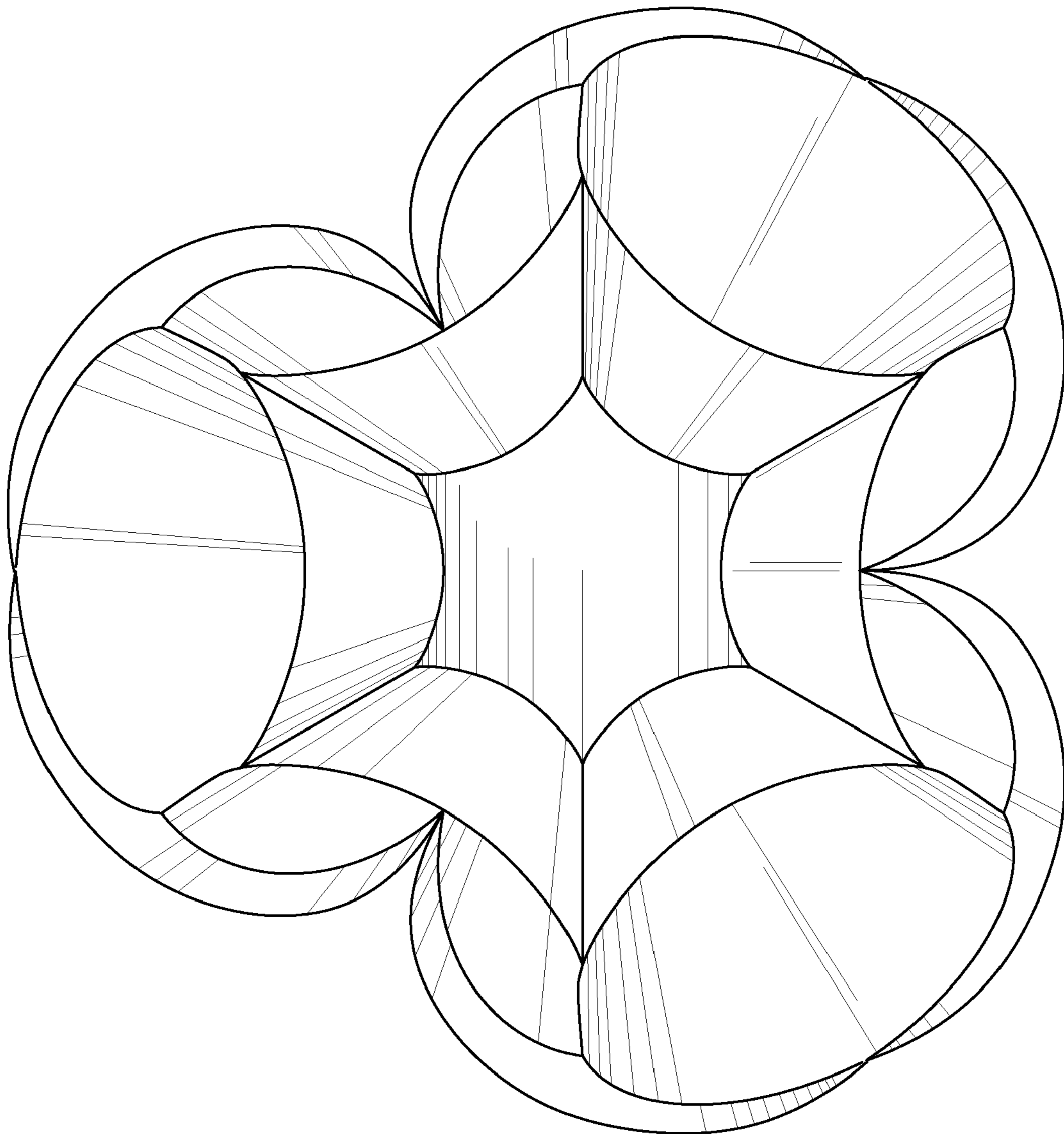


FIG. 21

