



US00D577953S

(12) **United States Design Patent**
Plichon

(10) **Patent No.:** **US D577,953 S**
(45) **Date of Patent:** **** Oct. 7, 2008**

(54) **SIDE HANDLE FOR COOKING UTENSIL**

(75) Inventor: **Stephane Plichon**, Allonzier la Caille (FR)

(73) Assignee: **Tefal**, Rumilly (FR)

(**) Term: **14 Years**

(21) Appl. No.: **29/298,499**

(22) Filed: **Dec. 6, 2007**

(30) **Foreign Application Priority Data**

Jun. 8, 2007 (FR) 07 2667

(51) **LOC (8) Cl.** **07-02**

(52) **U.S. Cl.** **D7/393**

(58) **Field of Classification Search** D7/354-361,
D7/393-395; D8/107, 307, 300; D4/138,
D4/129; 16/430, 431, 110.1, 407; 220/573.1-573.5,
220/752, 753, 755, 756, 759, 771, 912
See application file for complete search history.

(56) **References Cited**

U.S. PATENT DOCUMENTS

D174,223 S * 3/1955 Howie D7/393

D410,817 S * 6/1999 Brunianyn D7/393
D448,972 S * 10/2001 Knorr D7/393
D527,577 S * 9/2006 Magnouloux D7/393
D555,423 S * 11/2007 Hoff D7/393

* cited by examiner

Primary Examiner—Holly H. Baynham

Assistant Examiner—Cynthia M Chin

(74) *Attorney, Agent, or Firm*—Young & Thompson

(57) **CLAIM**

The ornamental design for a side handle for cooking utensil, as shown.

DESCRIPTION

FIG. 1 is a top and side perspective view of a side handle for cooking utensil, showing my new design;

FIG. 2 is a front elevational view thereof;

FIG. 3 is a top plan view thereof;

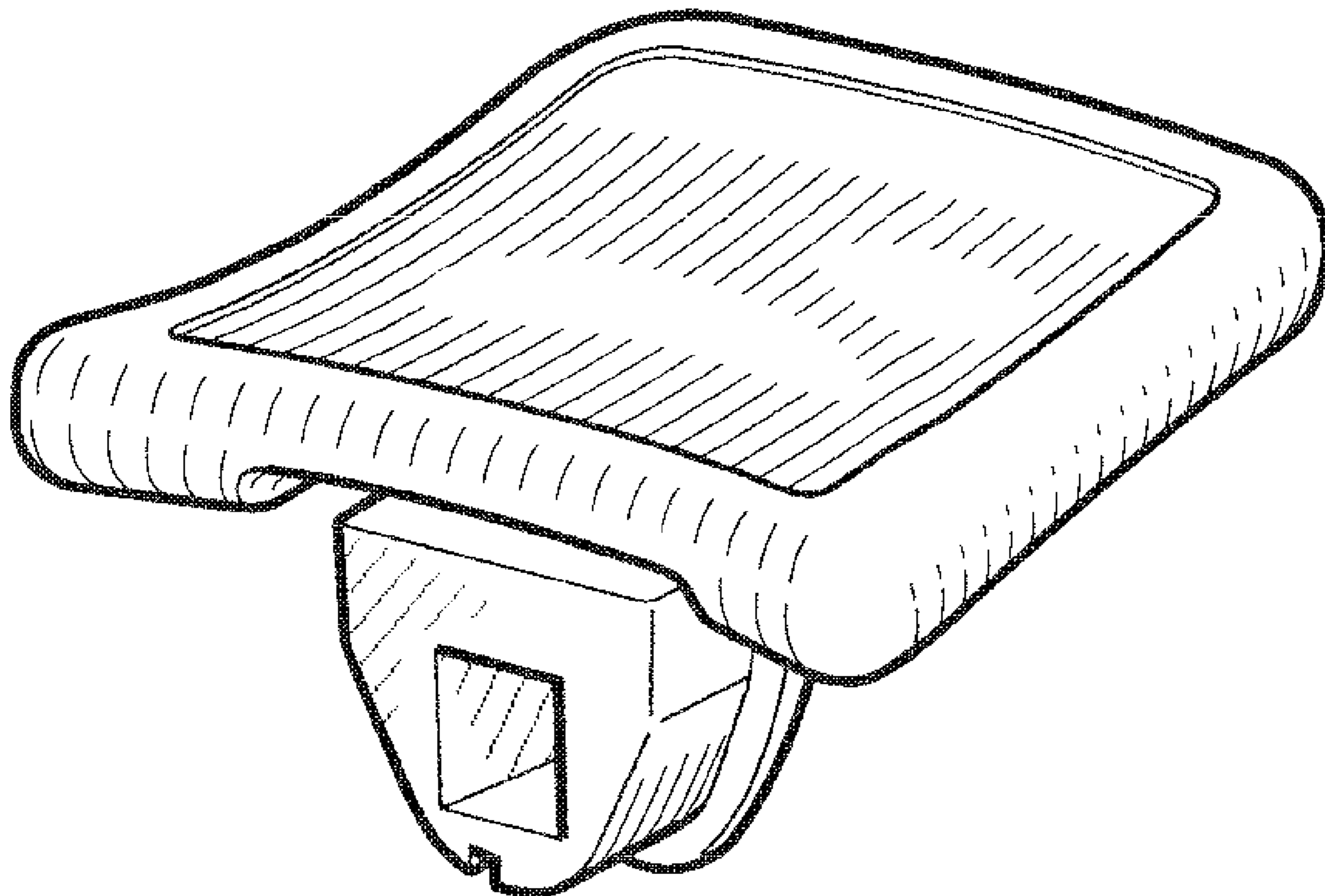
FIG. 4 is a bottom plan view thereof;

FIG. 5 is a view thereof from the left of FIG. 2;

FIG. 6 is a view thereof from the right of FIG. 2; and,

FIG. 7 is a rear elevational view thereof.

1 Claim, 7 Drawing Sheets



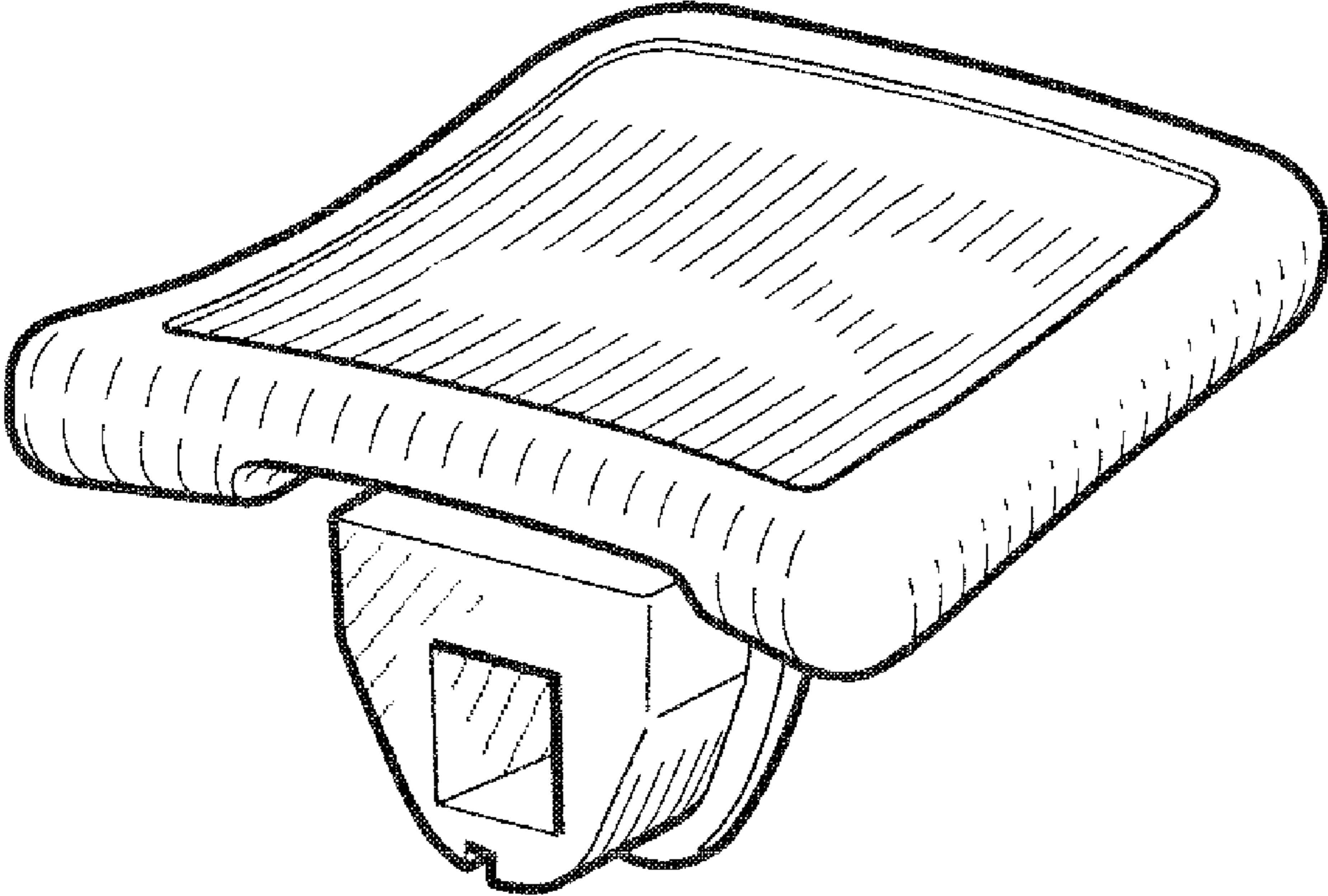


Fig. 1

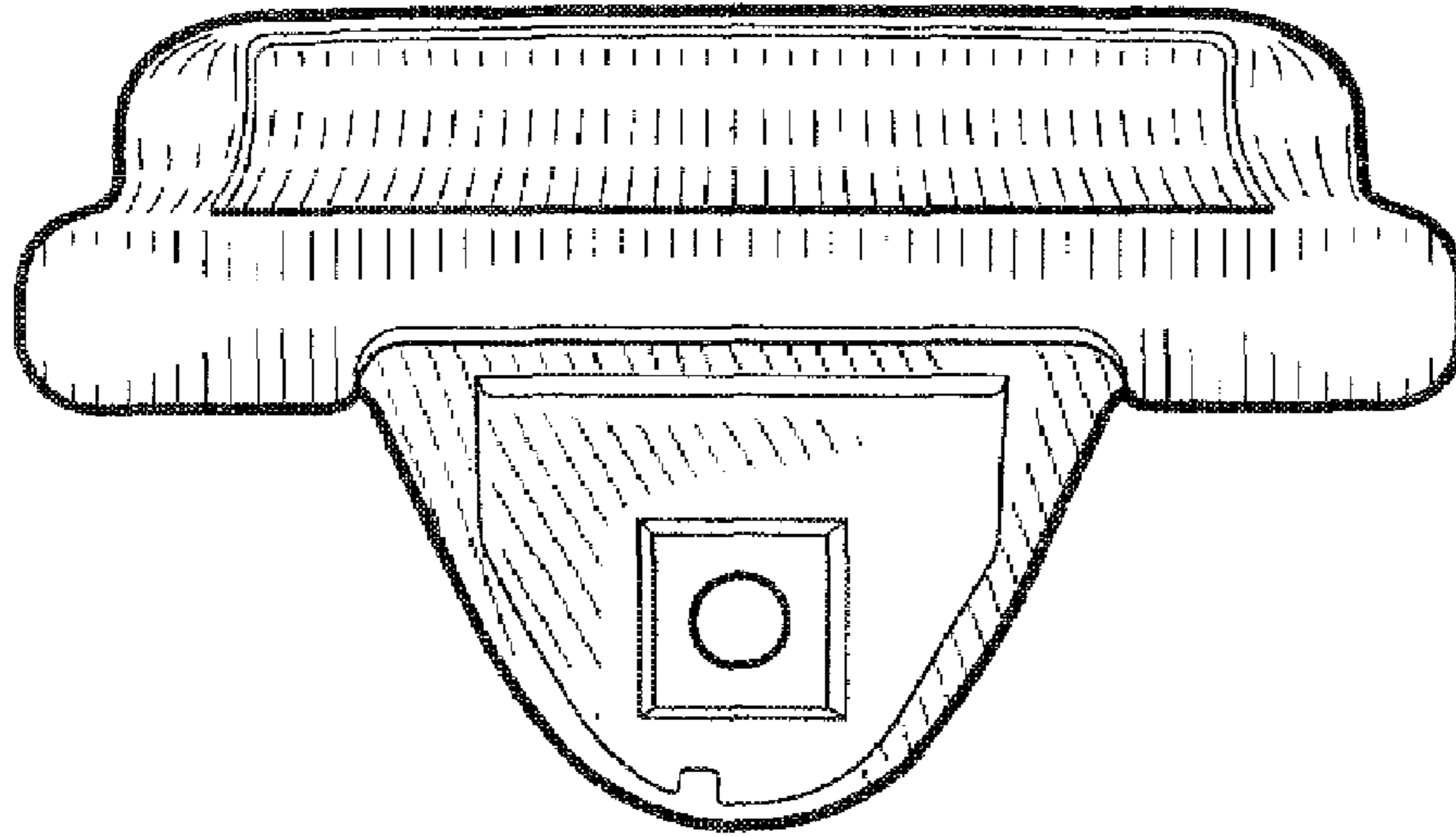


Fig. 2

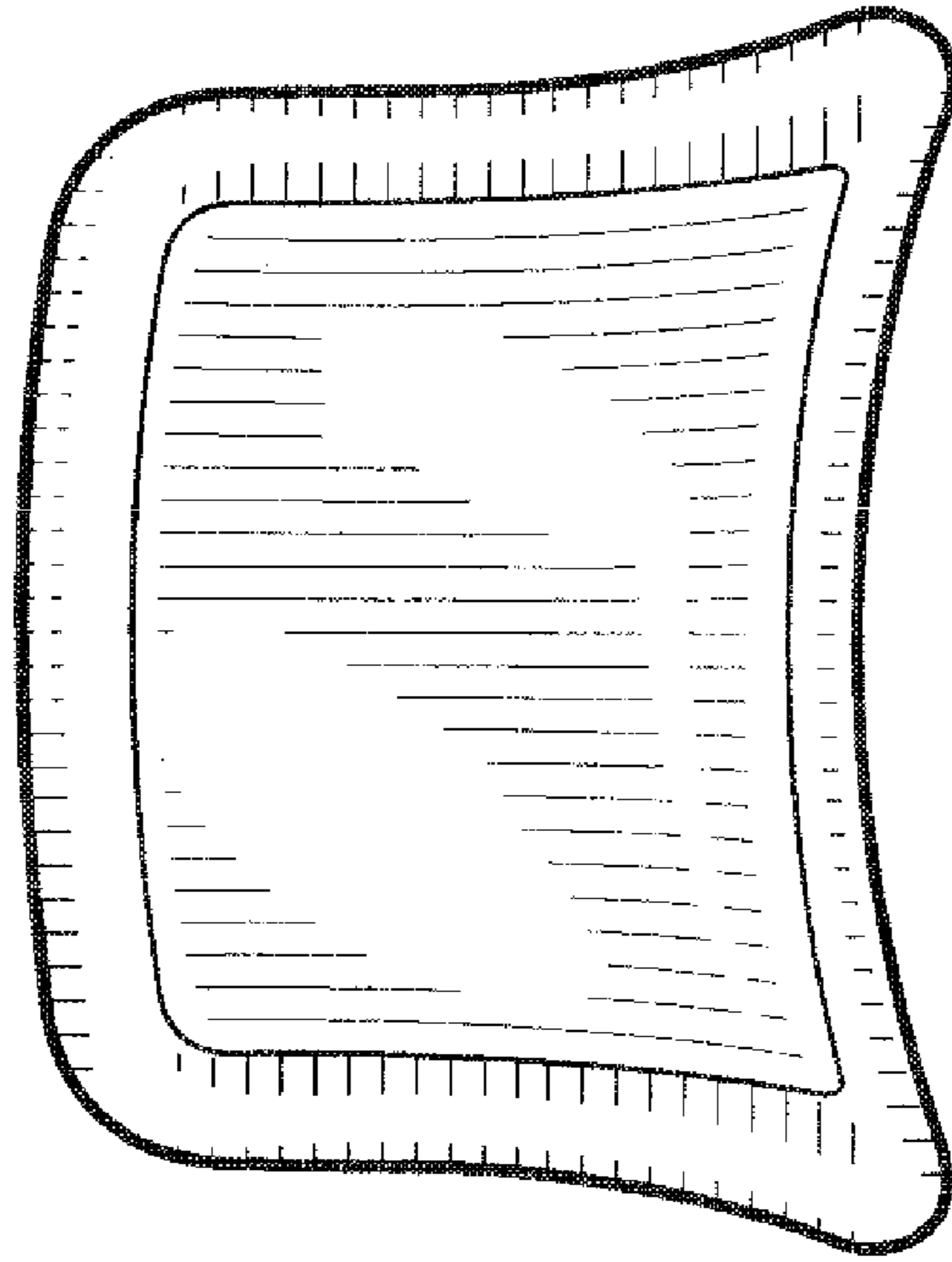


Fig. 3

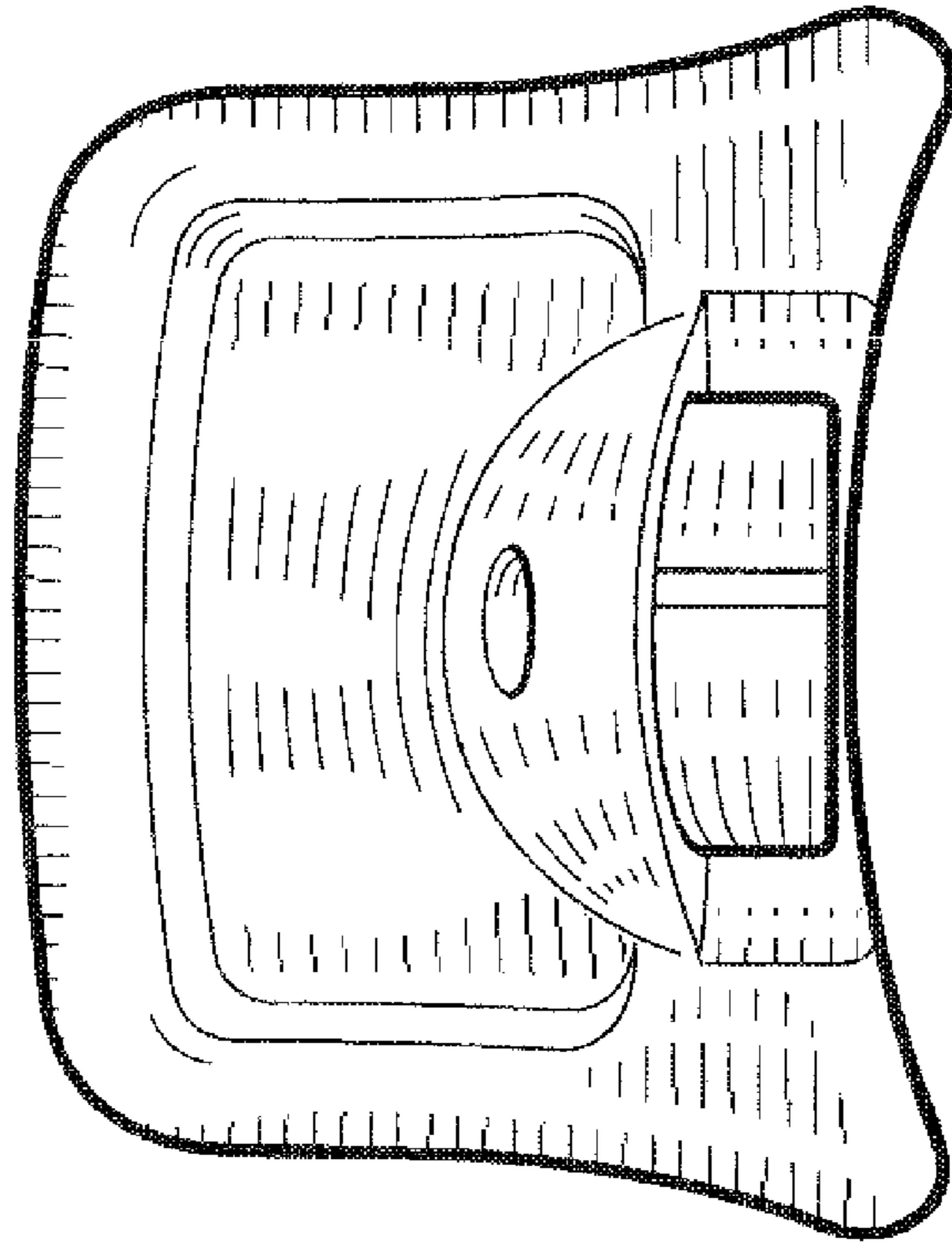


Fig. 4

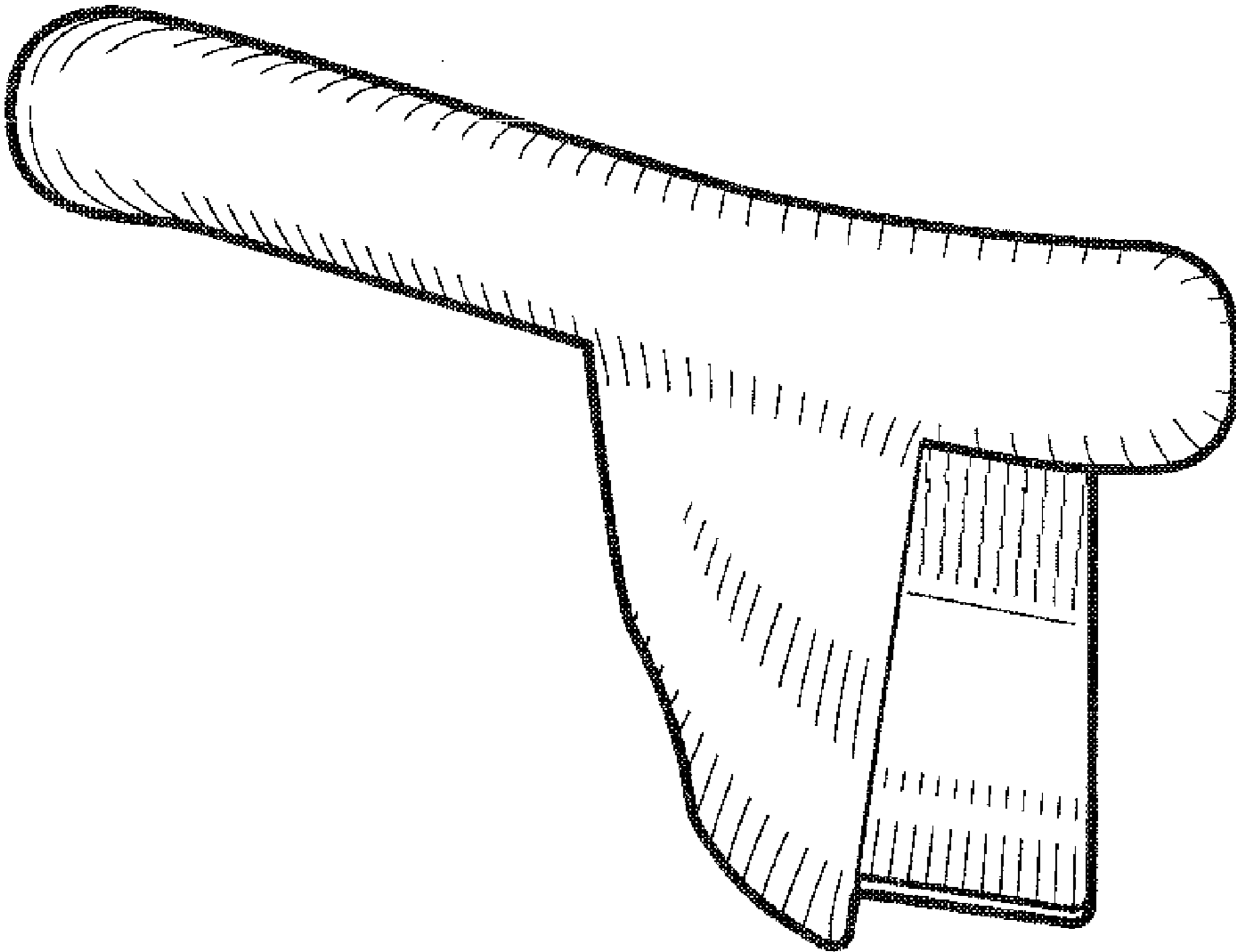


Fig. 5

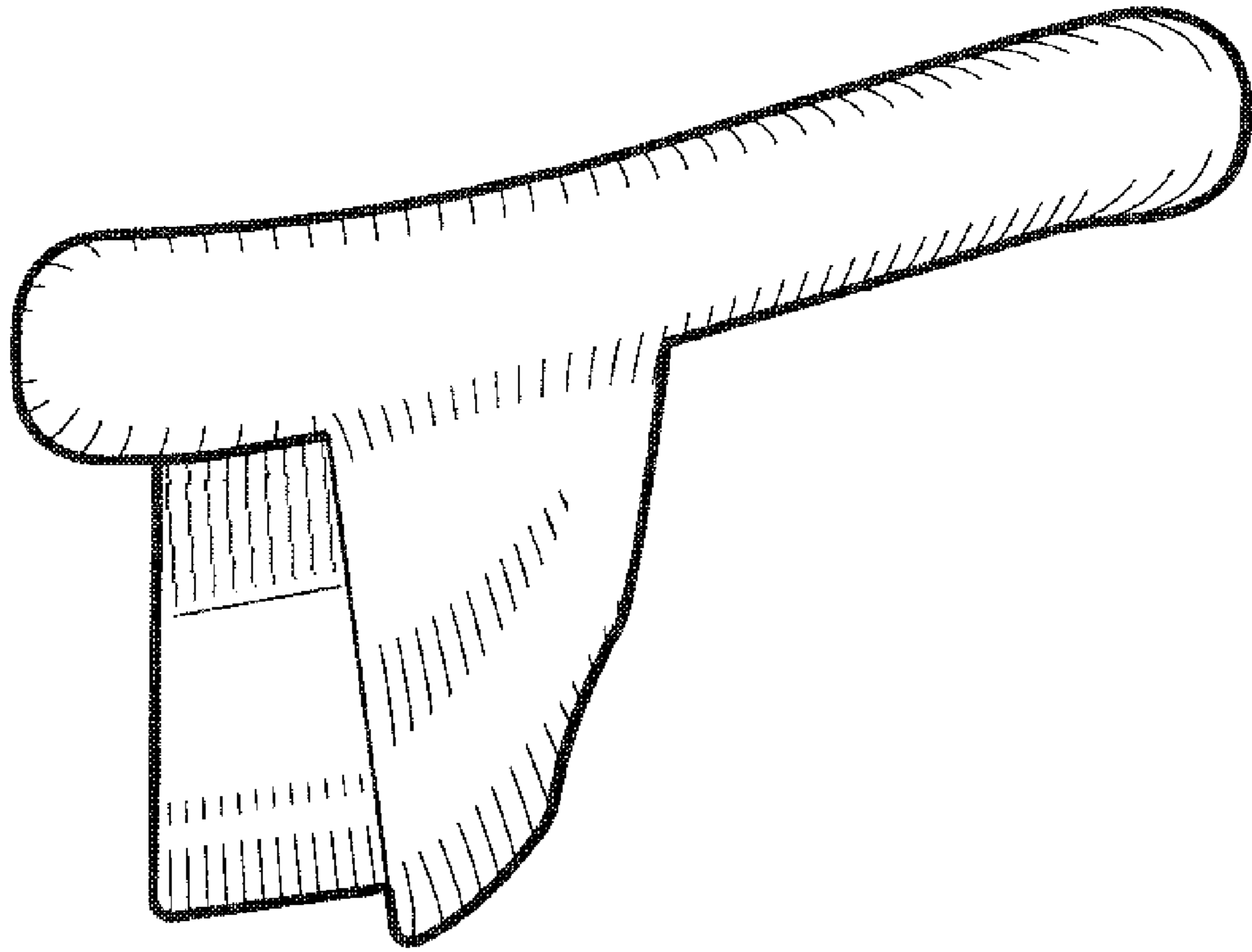


Fig. 6

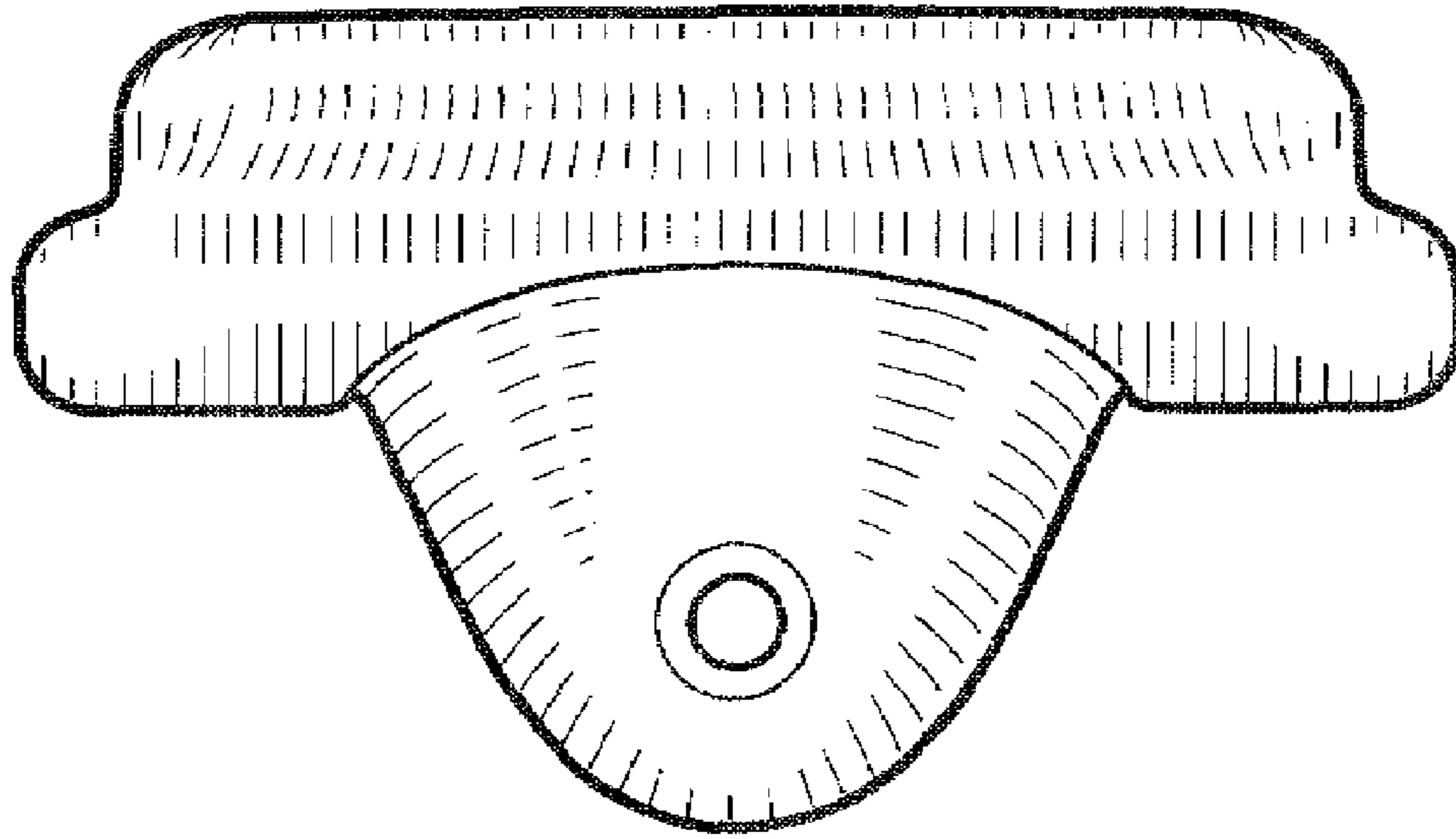


Fig. 7