



US00D577947S

(12) **United States Design Patent**
Wimmer

(10) **Patent No.:** **US D577,947 S**
(45) **Date of Patent:** **** Oct. 7, 2008**

(54) **TABLETOP PIZZA OVEN**

(76) **Inventor:** **Roland Wimmer**, 3 Breezewood Ct.,
Greenville, SC (US) 29607

(**) **Term:** **14 Years**

(21) **Appl. No.:** **29/281,003**

(22) **Filed:** **Jun. 13, 2007**

(51) **LOC (8) Cl.** **07-02**

(52) **U.S. Cl.** **D7/350.1**

(58) **Field of Classification Search** D7/333,
D7/337, 348, 350.1, 350.3, 350.4, 351, 402,
D7/405; 126/8, 39 C, 19 R, 19 M, 21 R,
126/275 E, 273 A, 273 R, 273.5; 99/447,
99/341, 467; 219/757, 758

See application file for complete search history.

(56) **References Cited**

U.S. PATENT DOCUMENTS

D344,871 S *	3/1994	Keller	D7/348
5,315,922 A *	5/1994	Keller	99/447
D367,203 S *	2/1996	Sprouls	D7/348
D379,733 S *	6/1997	Liu et al.	D7/352
D439,792 S *	4/2001	Hedrington et al.	D7/323
D483,603 S *	12/2003	Minidis	D7/348

OTHER PUBLICATIONS

Forno Bravo web page for authentic Italian wood fired ovens (www.fomobravo.com/pizza_oven_installation/dome_sealing.html).
Pizzadom-Zentrale Stockach—1hr Pizzadom-Partner in Europa:
website for Pizzadom elektrisch (www.icopy.de/pizzadom/PZE_DE.htm).

* cited by examiner

Primary Examiner—Ruth McInroy

(74) *Attorney, Agent, or Firm*—YoungBasile

(57) **CLAIM**

The ornamental design for a tabletop pizza oven, as shown and described.

DESCRIPTION

FIG. 1 is a perspective view showing my new design;

FIG. 2 is a front elevational view thereof;

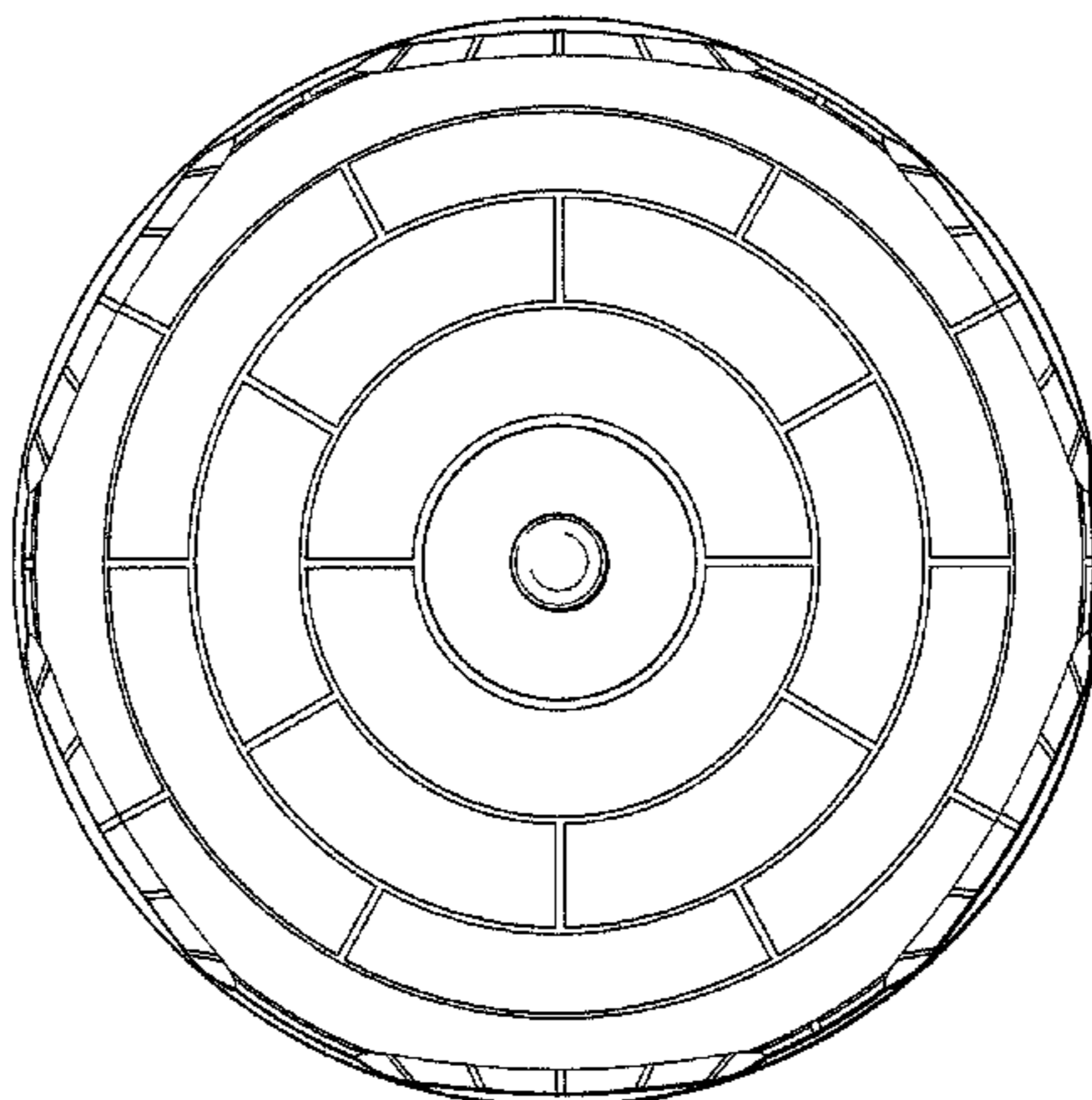
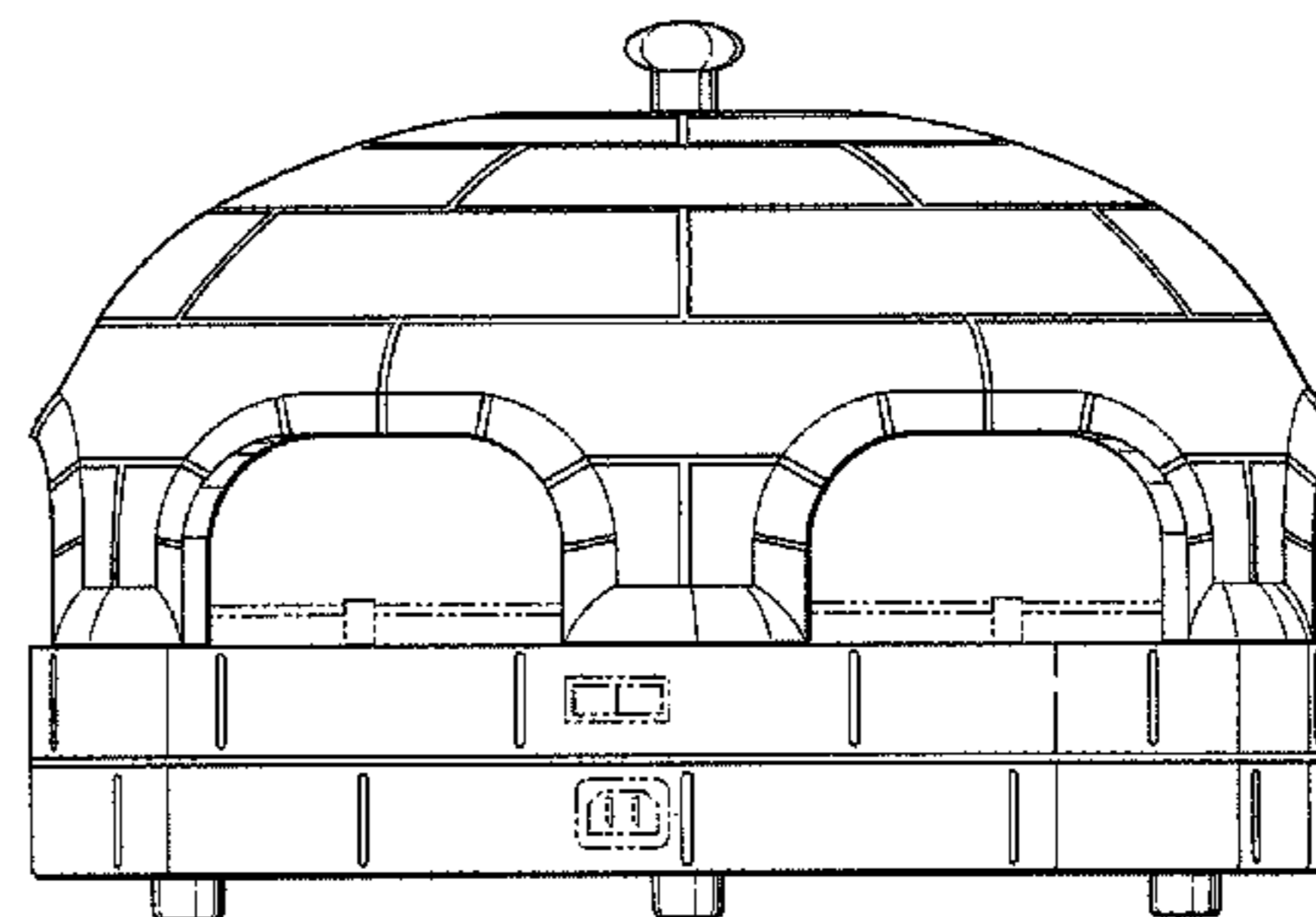
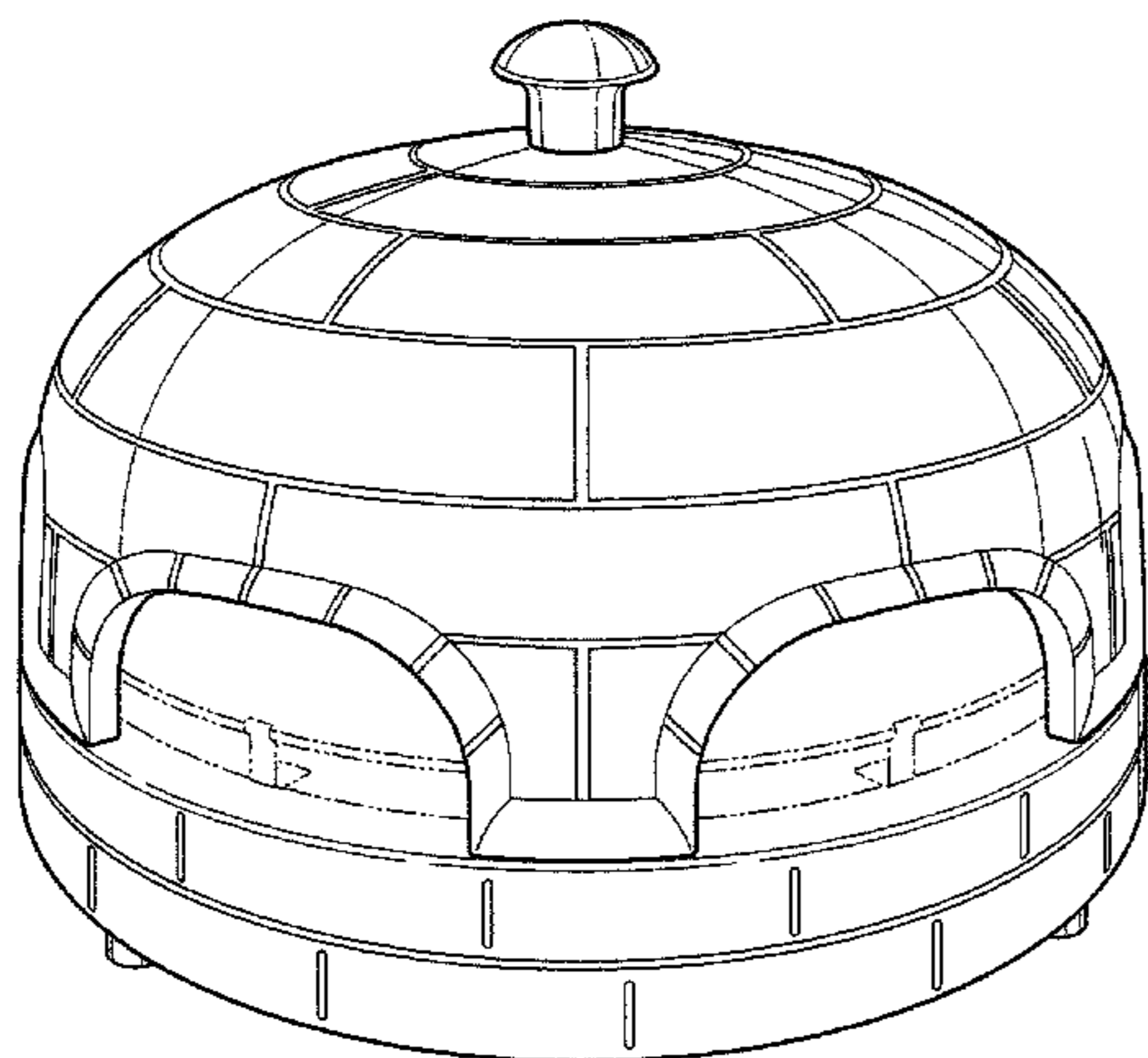
FIG. 3 is a right-side view thereof, the left-side view being a mirror image;

FIG. 4 is a plan view thereof; and,

FIG. 5 is a bottom view thereof.

The details shown in broken lines form no part of the claimed design.

1 Claim, 4 Drawing Sheets



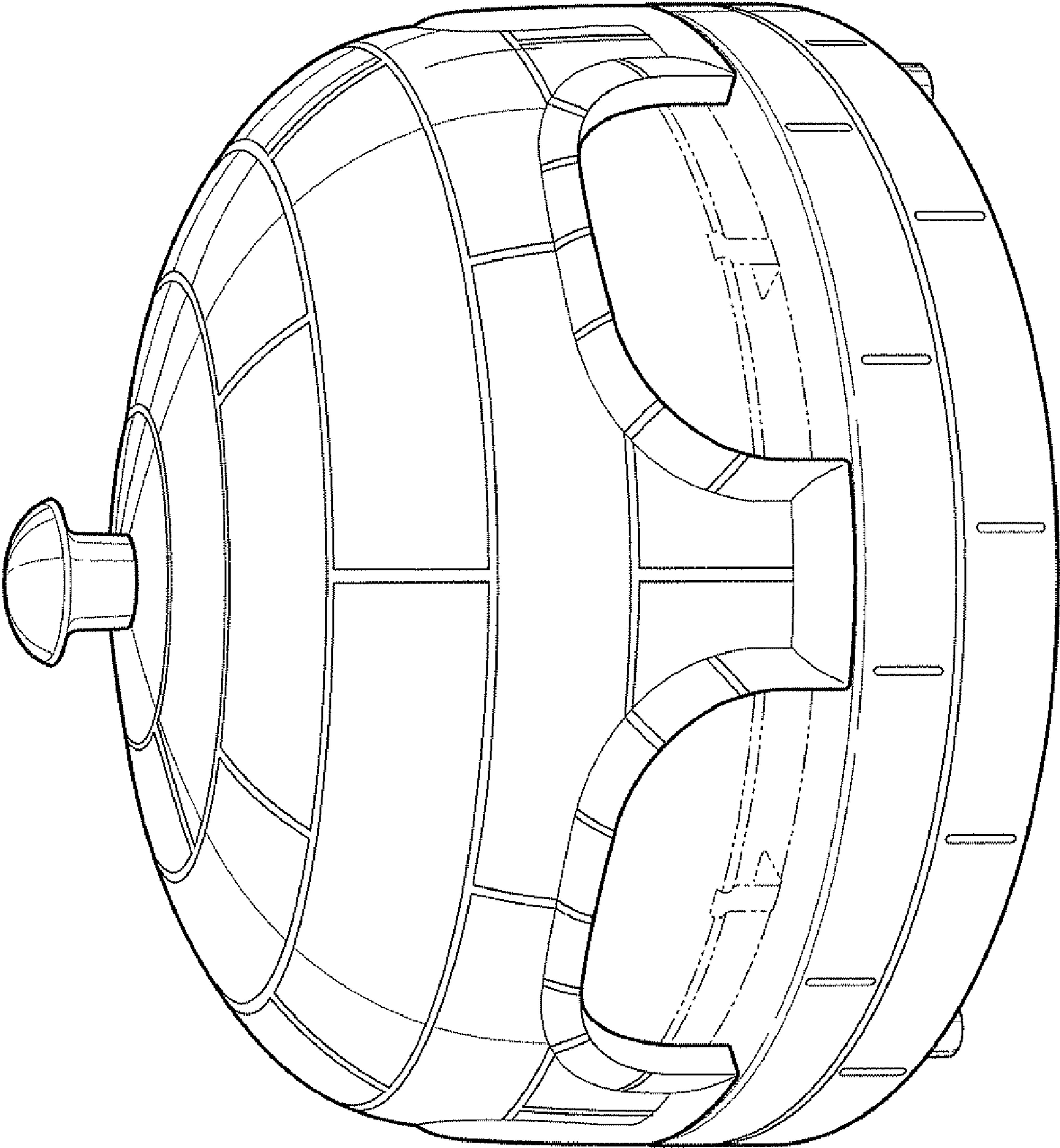


FIG - 1

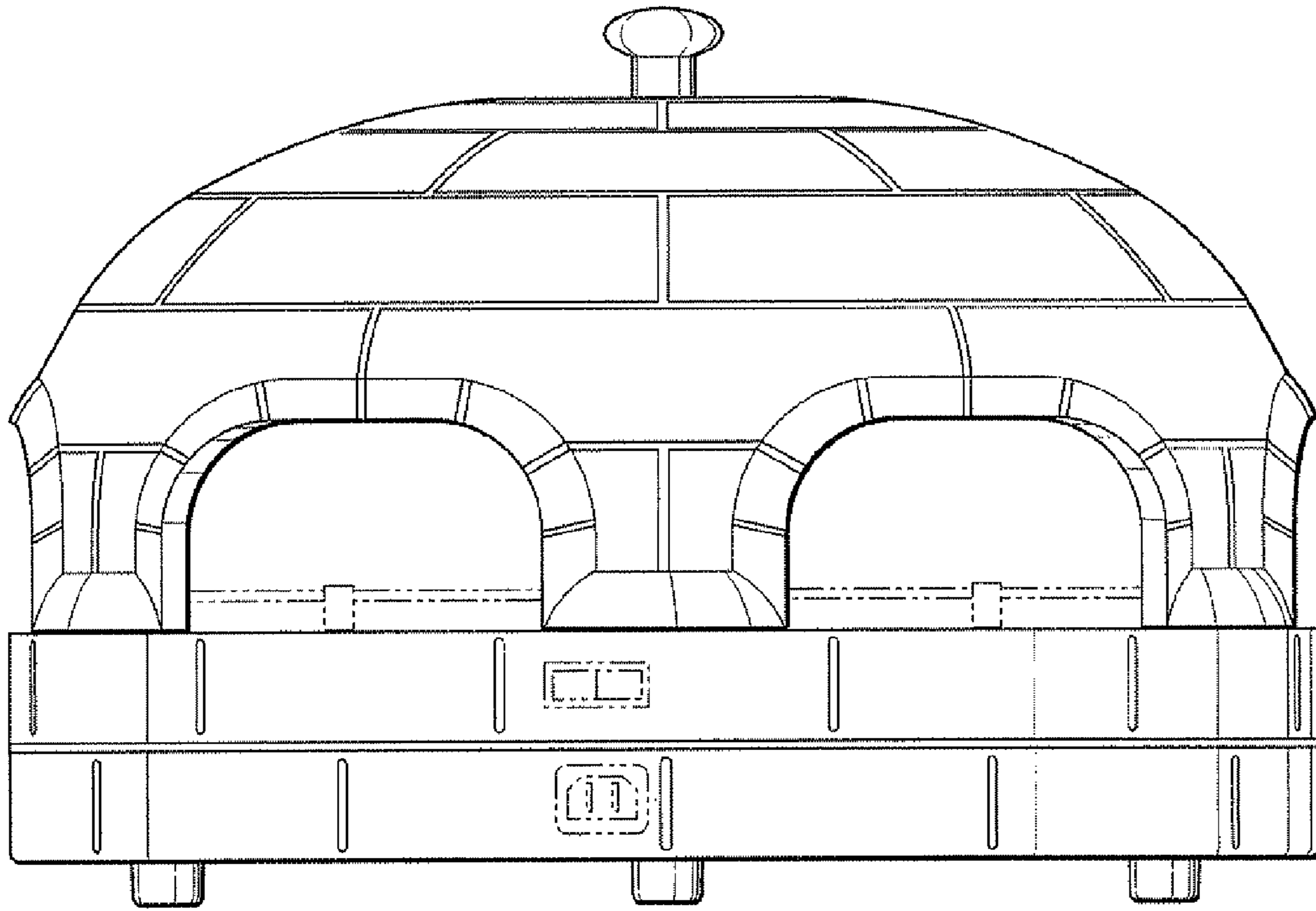


FIG - 2

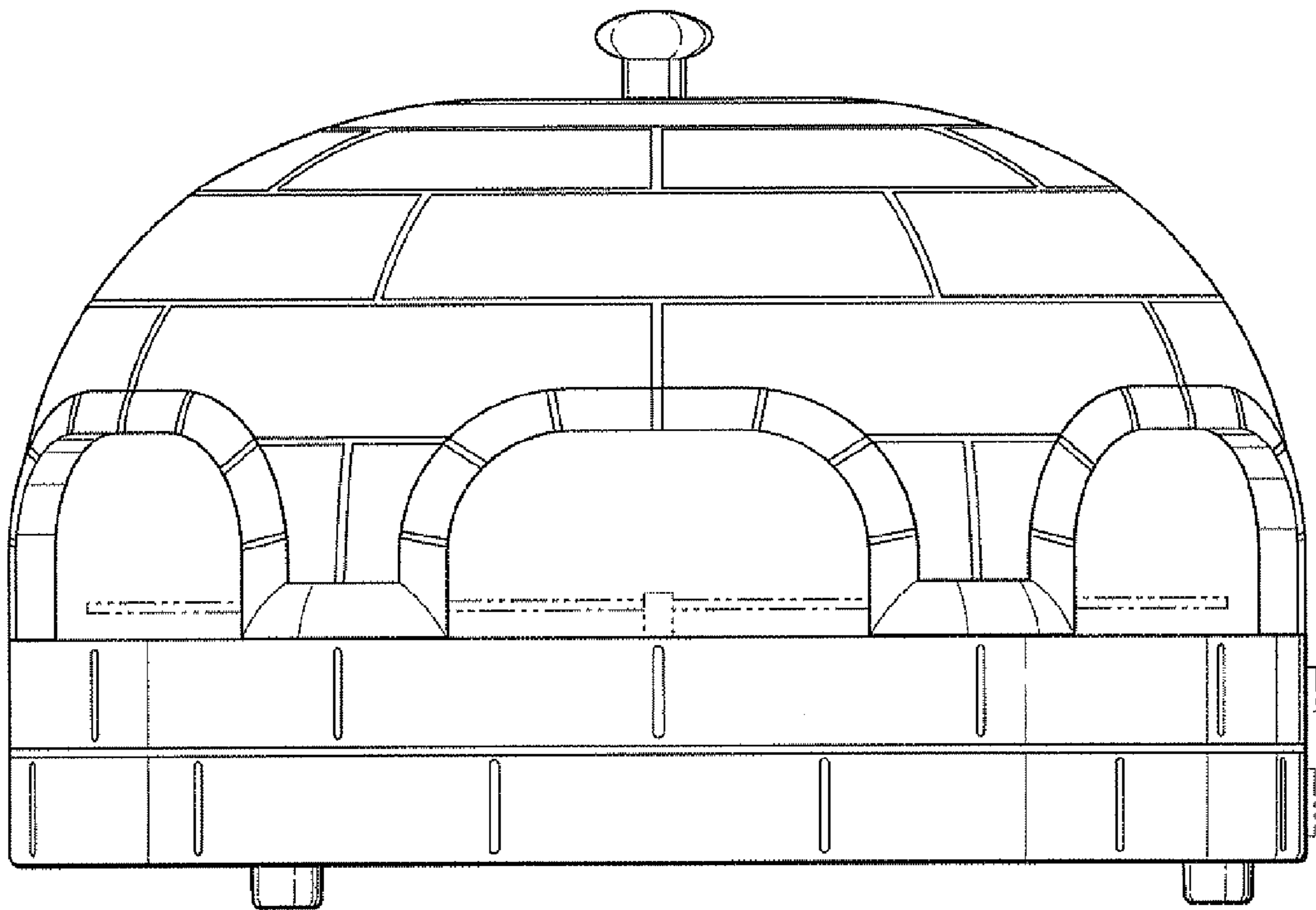


FIG - 3

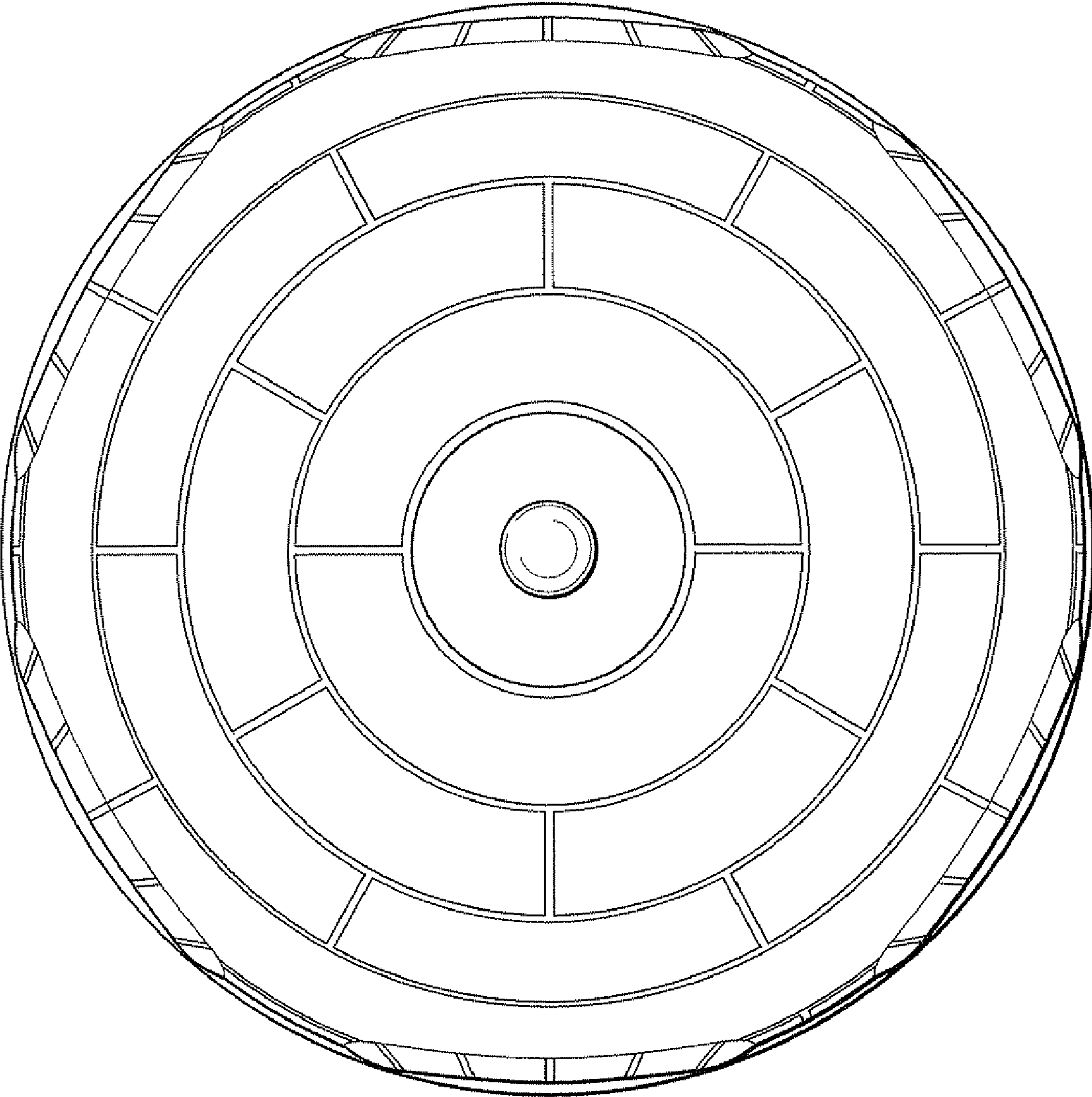


FIG - 4

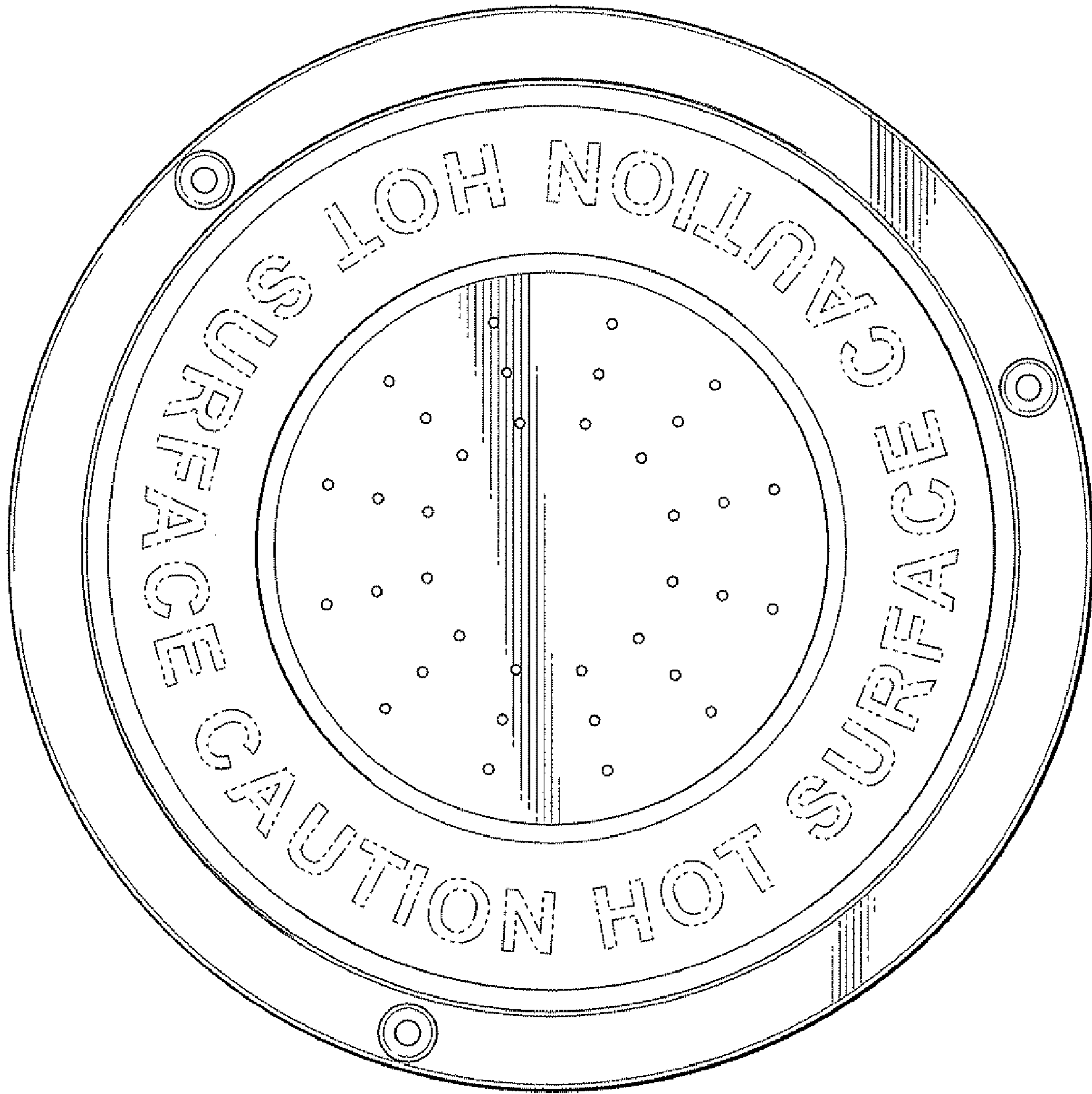


FIG - 5