



US00D577946S

(12) **United States Design Patent**
Carroll

(10) **Patent No.:** **US D577,946 S**

(45) **Date of Patent:** **** Oct. 7, 2008**

(54) **GRILL**

(76) Inventor: **John E. Carroll**, 1887 Kings Hwy.,
Kissimmee, FL (US) 34744

(**) Term: **14 Years**

(21) Appl. No.: **29/273,865**

(22) Filed: **Mar. 16, 2007**

(51) **LOC (8) Cl.** **07-02**

(52) **U.S. Cl.** **D7/336**

(58) **Field of Classification Search** D7/332-337,
D7/402-405, 362-364; 126/25 R, 29-30,
126/25 A, 25 AA, 9 R, 9 B, 8, 38, 41 R, 40,
126/50, 506, 144, 211, 304 R, 305; 99/447,
99/425, 450; 248/188.7, 165, 121, 431
See application file for complete search history.

(56) **References Cited**

U.S. PATENT DOCUMENTS

D186,487 S *	10/1959	Brooks	D7/336
D257,206 S *	10/1980	Vincent	D7/332
4,726,349 A *	2/1988	Gehrke	126/25 R
D342,184 S *	12/1993	Sanchez	D7/335

D344,207 S *	2/1994	Bauman	D7/336
D369,939 S *	5/1996	Gibbs	D7/335
6,070,571 A *	6/2000	Bradbury	126/30
D457,029 S *	5/2002	Wickizer	D7/332
6,386,192 B1 *	5/2002	Weber	126/30

* cited by examiner

Primary Examiner—Ruth McInroy

(74) *Attorney, Agent, or Firm*—William M. Hobby, III

(57) **CLAIM**

The ornamental design for a grill, as shown and described.

DESCRIPTION

FIG. 1 is a top and right-side perspective view of a grill showing my new design;

FIG. 2 is a left side elevation;

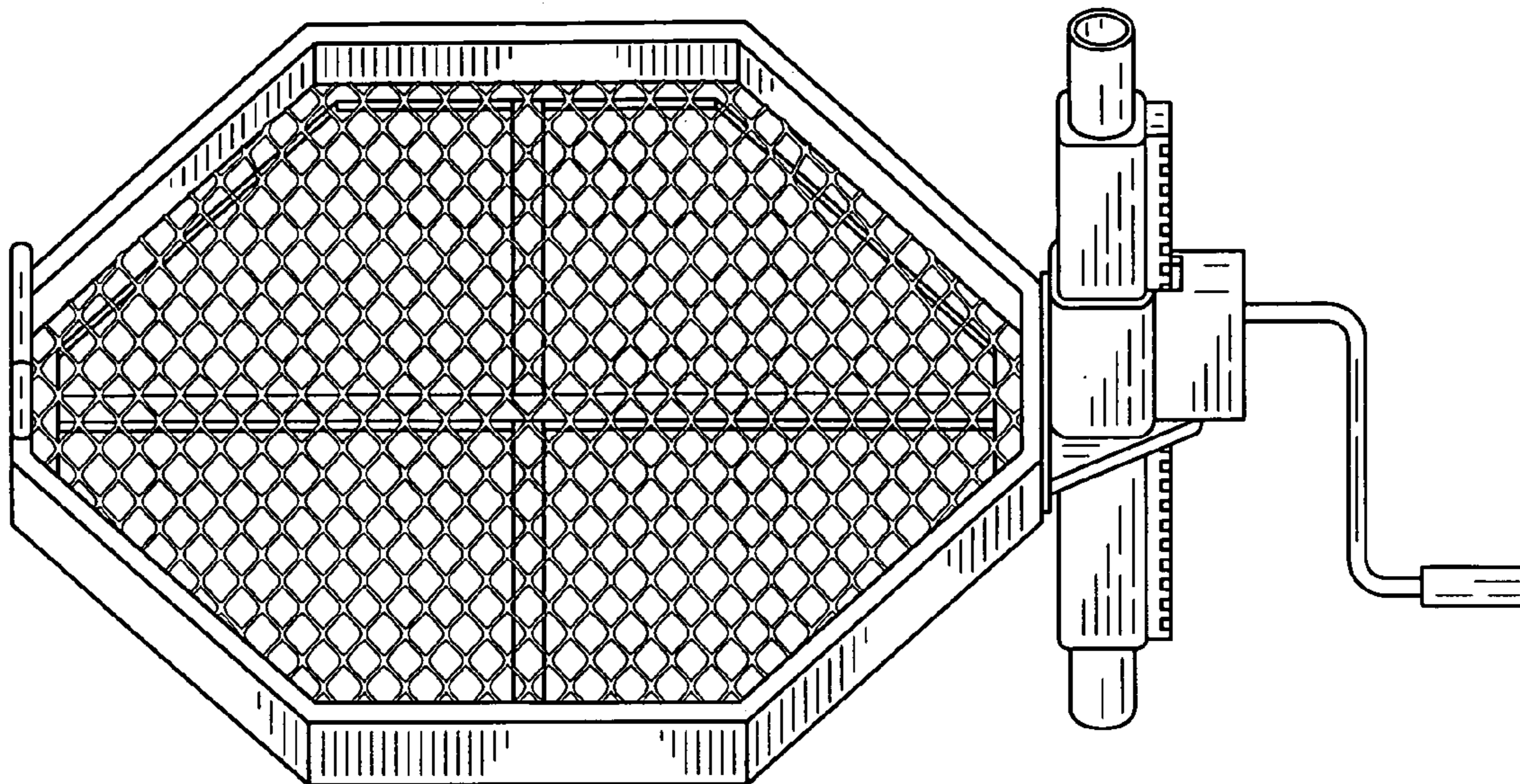
FIG. 3 is a rear elevation;

FIG. 4 is a front elevation;

FIG. 5 is a top plan view; and,

FIG. 6 is a bottom plan view.

1 Claim, 3 Drawing Sheets



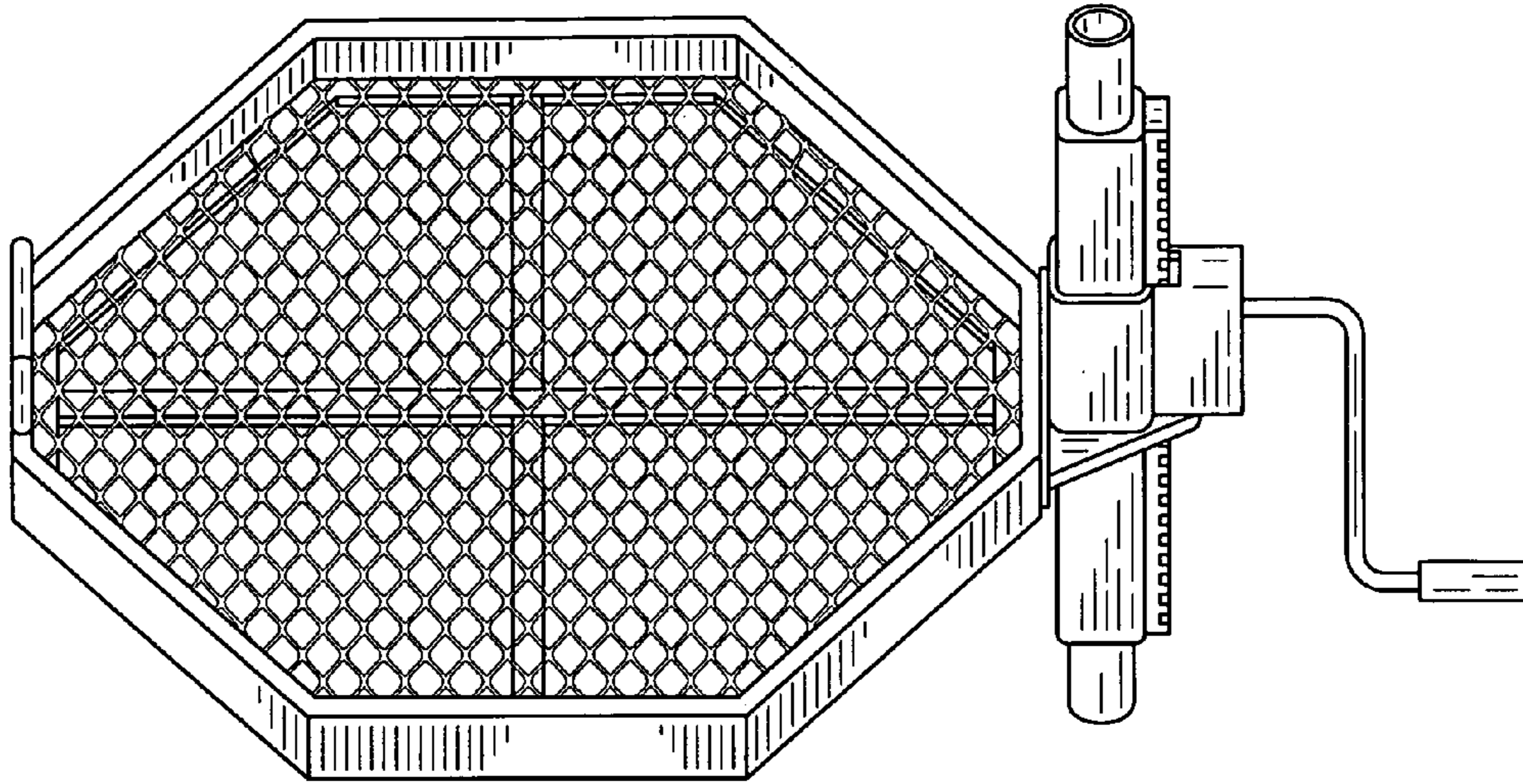


FIG. 1

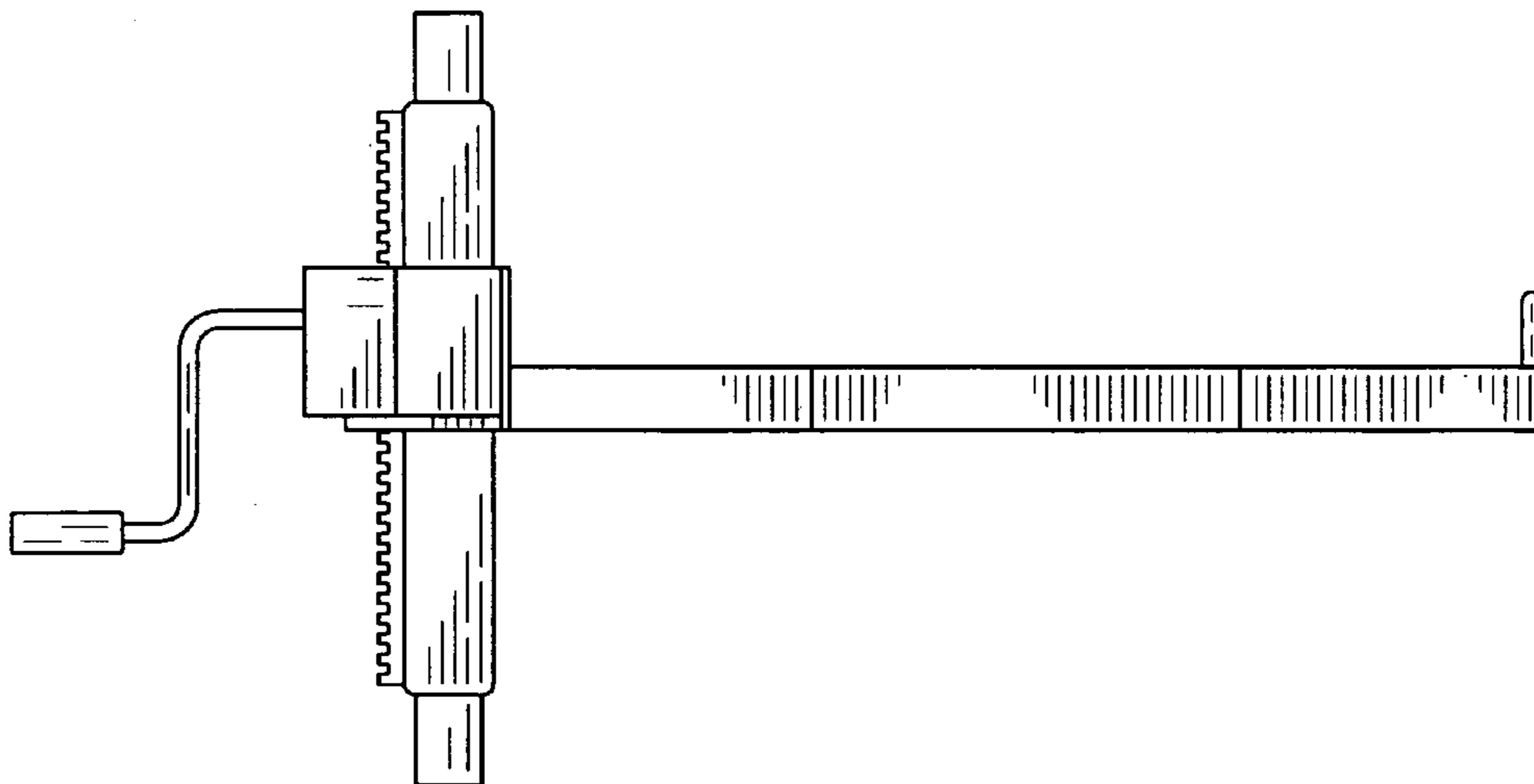


FIG. 2

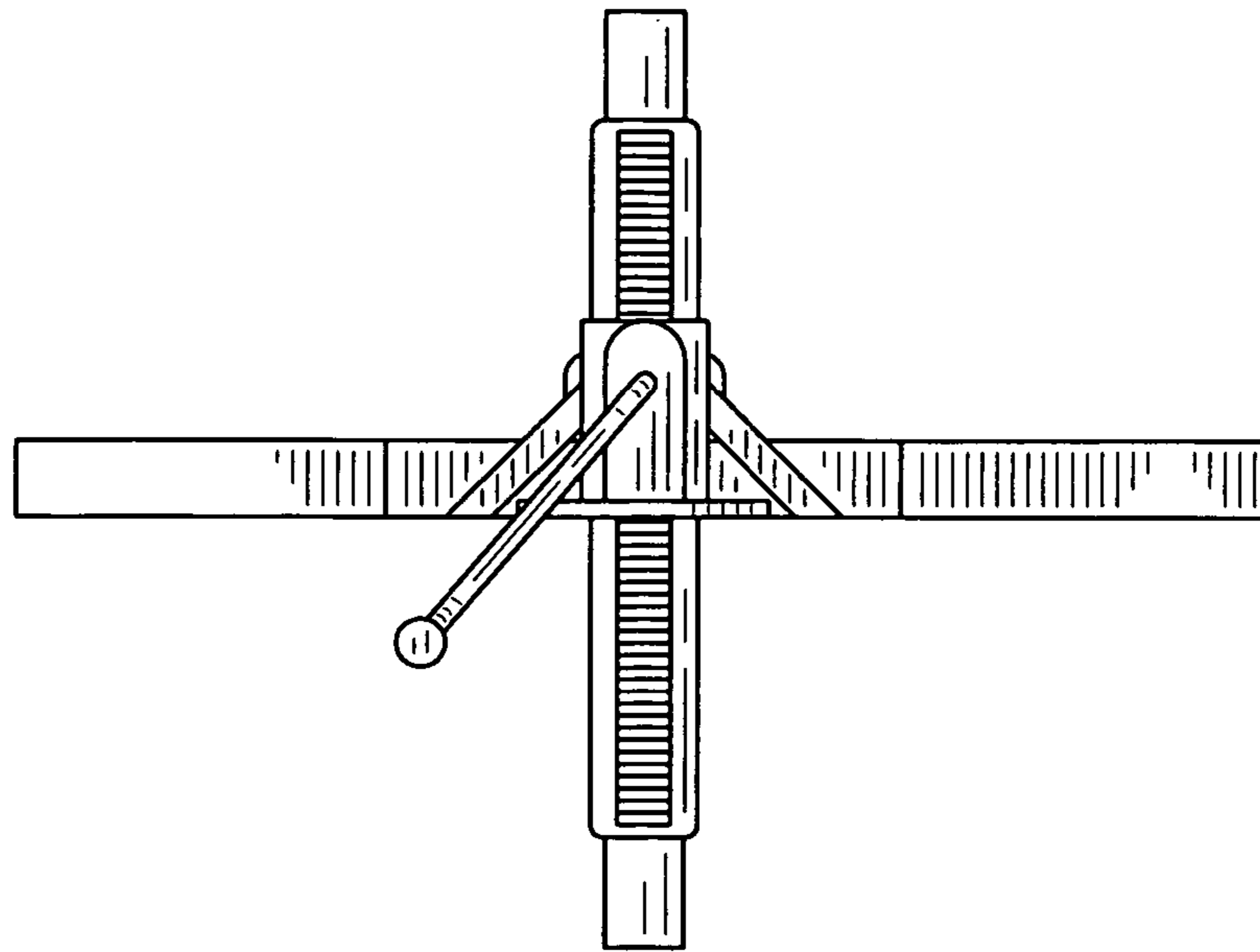


FIG. 3

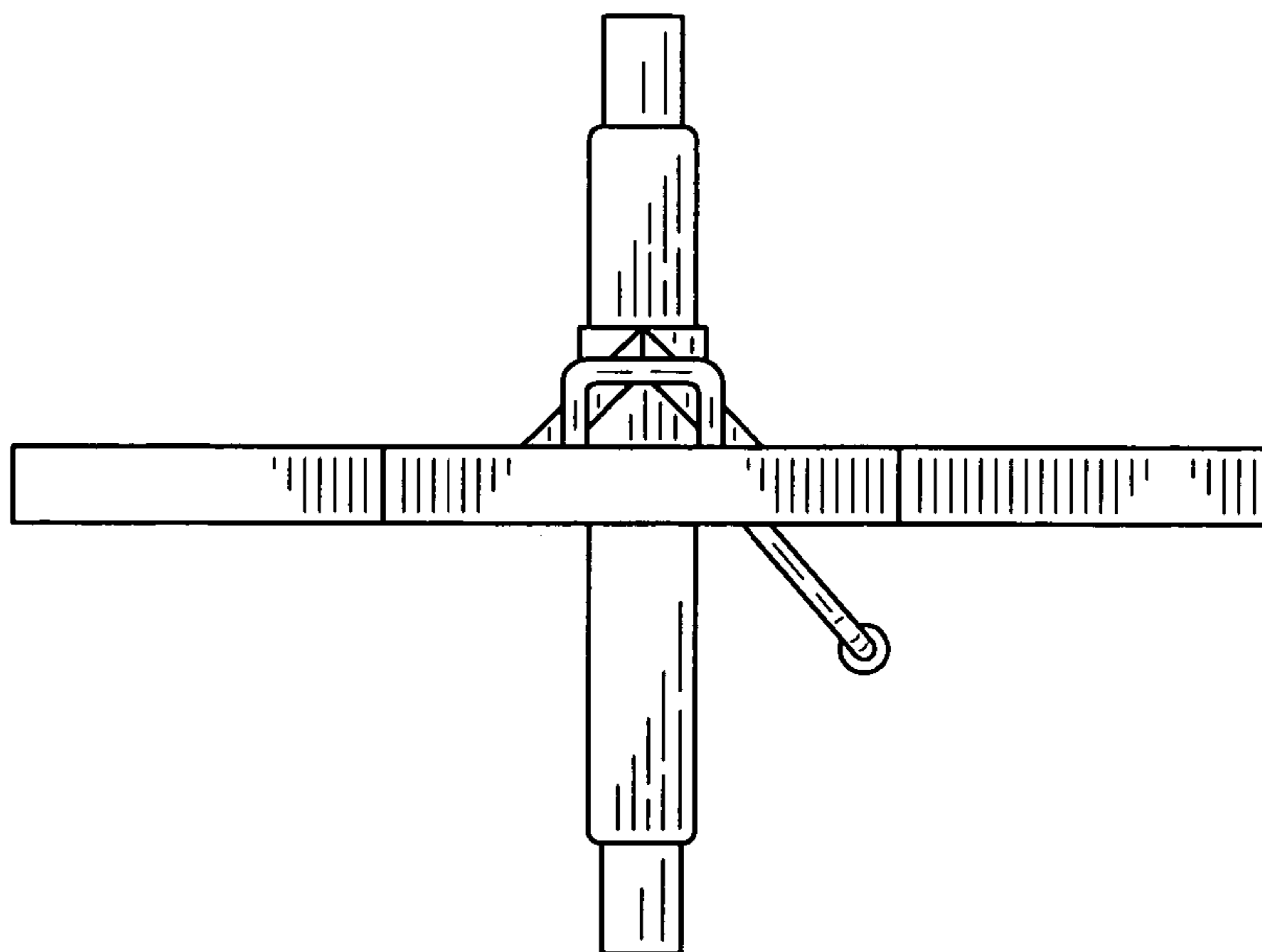


FIG. 4

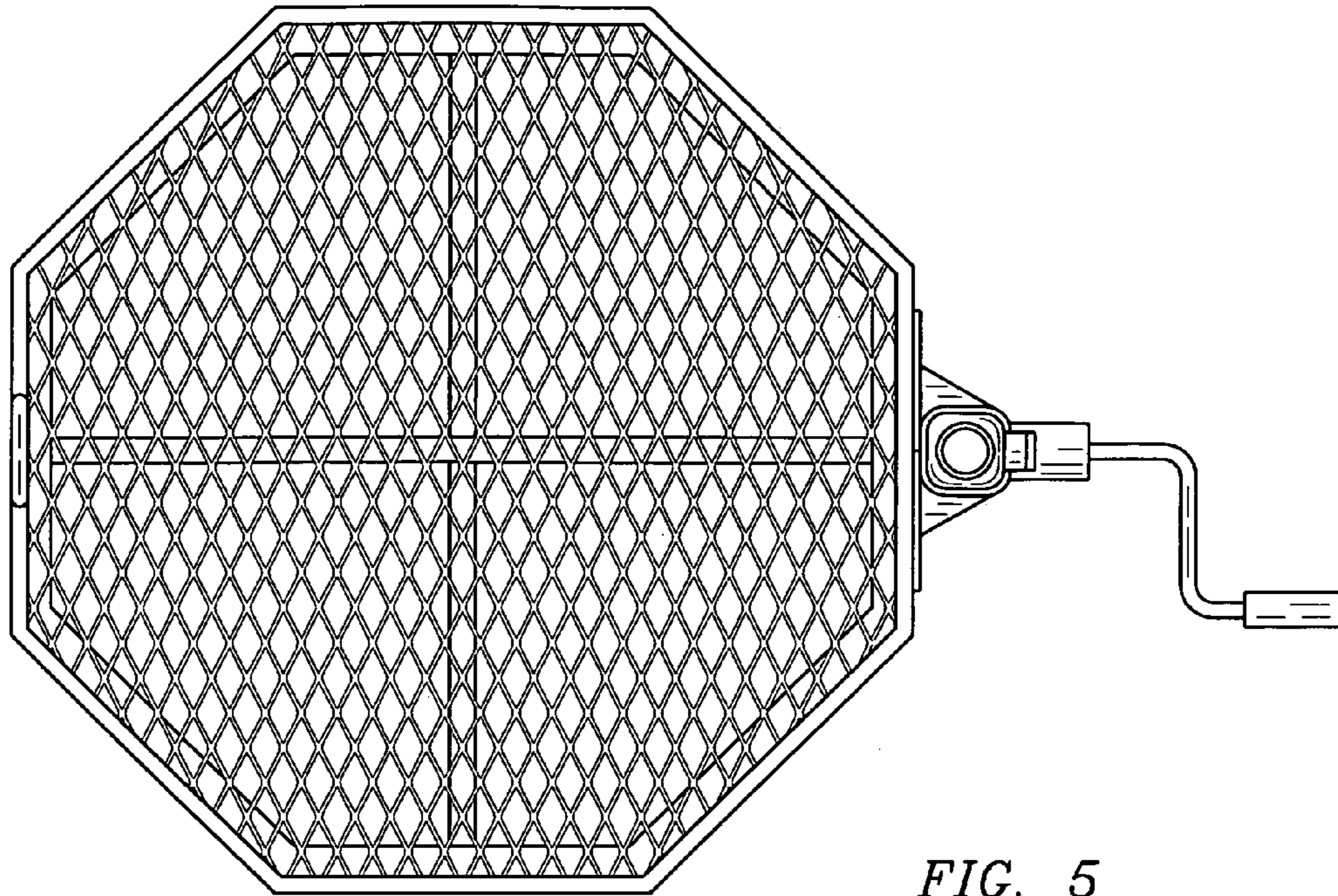


FIG. 5

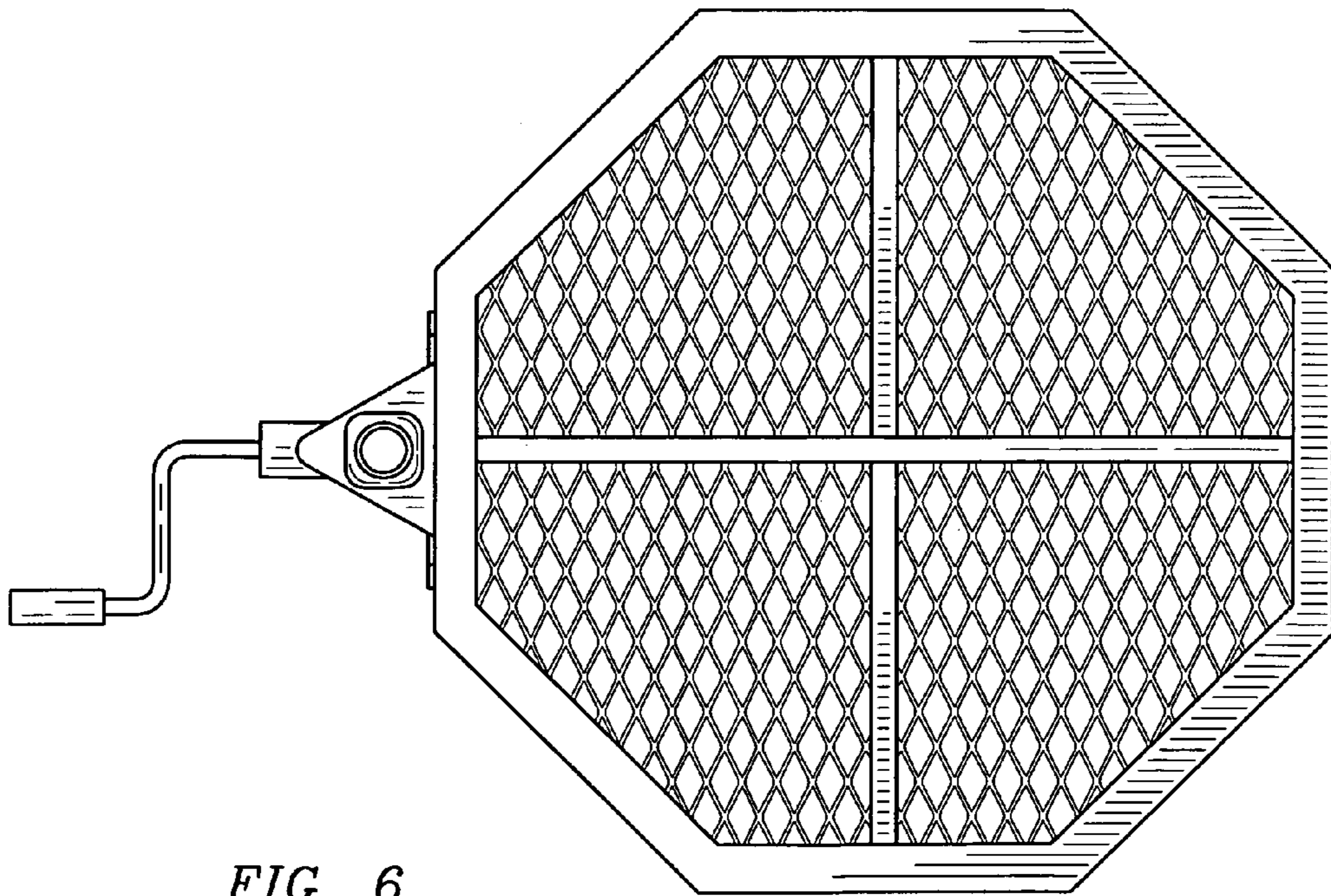


FIG. 6