



US00D577945S

(12) **United States Design Patent**  
**Traeger et al.**

(10) **Patent No.:** **US D577,945 S**

(45) **Date of Patent:** **\*\* Oct. 7, 2008**

(54) **TRACTOR PELLET GRILL**

(75) Inventors: **Joseph P. Traeger**, Mt. Angel, OR (US);  
**Mark A. Traeger**, Mt. Angel, OR (US);  
**Randolph J. Traeger**, Mt. Angel, OR  
(US); **Brian E. Traeger**, Mt. Angel, OR  
(US)

(73) Assignee: **Traeger Pellet Grills, LLC**, Wilsonville,  
OR (US)

(\*\*) Term: **14 Years**

(21) Appl. No.: **29/297,759**

(22) Filed: **Nov. 16, 2007**

(51) **LOC (8) Cl.** ..... **07-02**

(52) **U.S. Cl.** ..... **D7/334**

(58) **Field of Classification Search** ..... D7/332-338,  
D7/402-405; 126/25 R, 29-30, 25 A, 25 AA,  
126/9 R, 9 B, 8, 38, 41 R, 40, 50, 304 R,  
126/305; 99/450, 419, 444, 445; D12/188.7,  
D12/165, 121, 431; D15/23

See application file for complete search history.

(56) **References Cited**

**U.S. PATENT DOCUMENTS**

D179,345 S \* 12/1956 Henry et al. .... D7/334

D182,147 S \* 2/1958 Strehlow ..... D15/23  
D216,011 S \* 11/1969 Lazzeroni ..... D15/23  
D282,519 S \* 2/1986 Sustana ..... D7/334  
D564,825 S \* 3/2008 Chan ..... D7/334

\* cited by examiner

*Primary Examiner*—Ruth McInroy

(74) *Attorney, Agent, or Firm*—Kolisch Hartwell, P.C.

(57) **CLAIM**

We claim the ornamental design for a tractor pellet grill, as shown and described.

**DESCRIPTION**

FIG. 1 is a front perspective view of a grill showing our new design;

FIG. 2 is a rear perspective view thereof;

FIG. 3 is a right perspective view thereof;

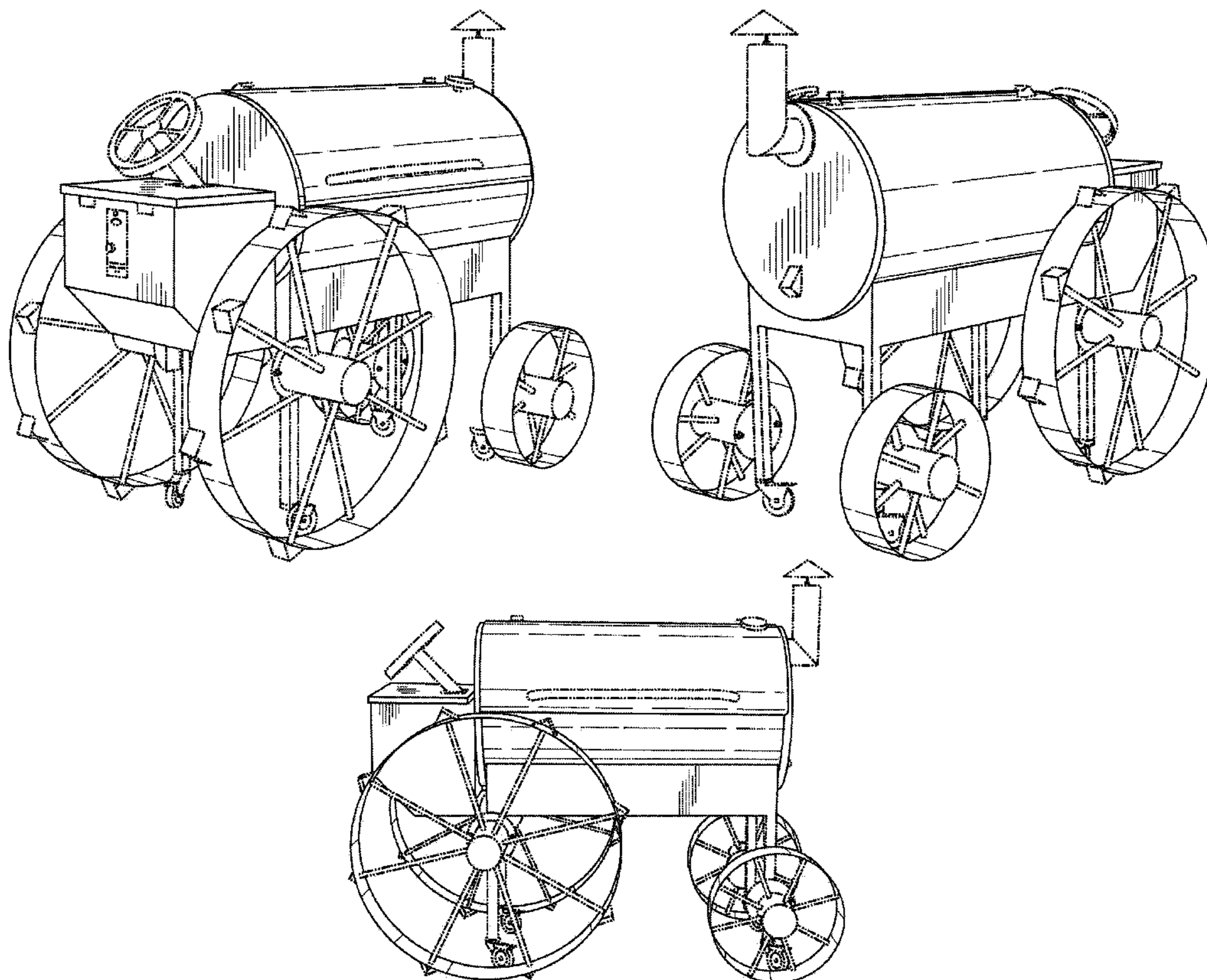
FIG. 4 is a left perspective view thereof;

FIG. 5 is a rear perspective view thereof; and,

FIG. 6 is a front perspective view thereof.

The broken lines in the drawings are for illustrative purposes only and form no part of the claimed design.

**1 Claim, 4 Drawing Sheets**



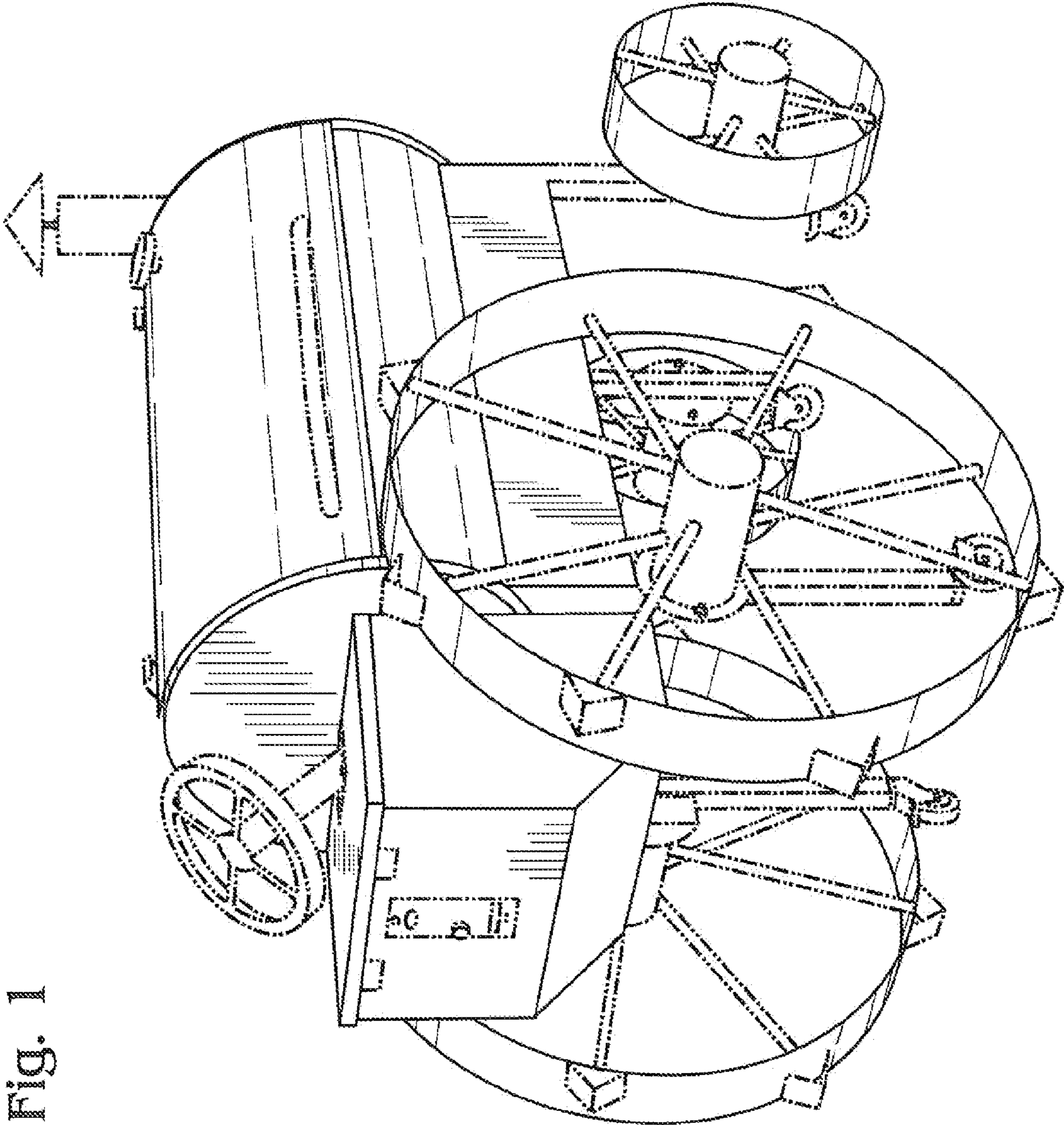


Fig. 1



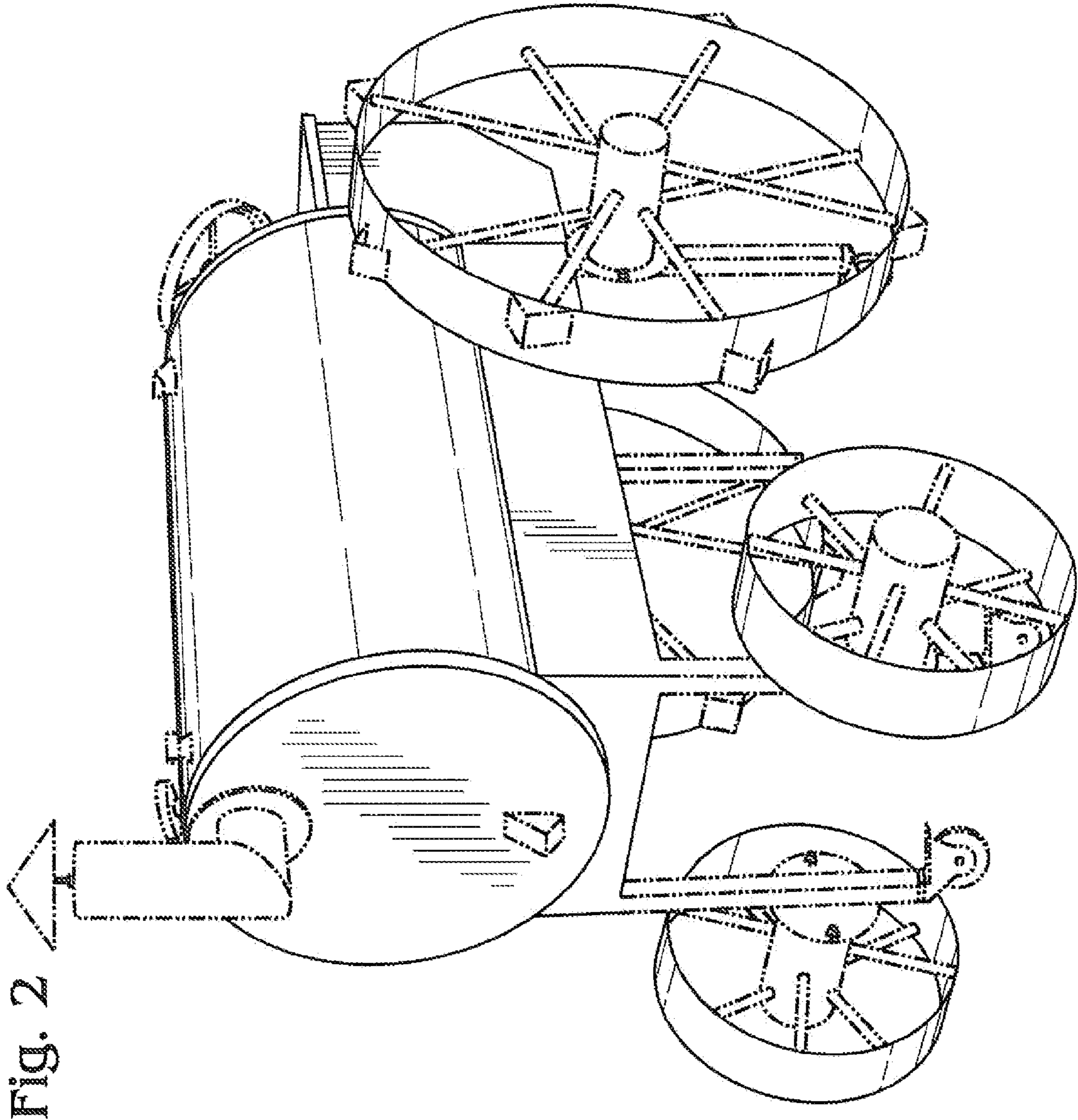


Fig. 2

Fig. 3

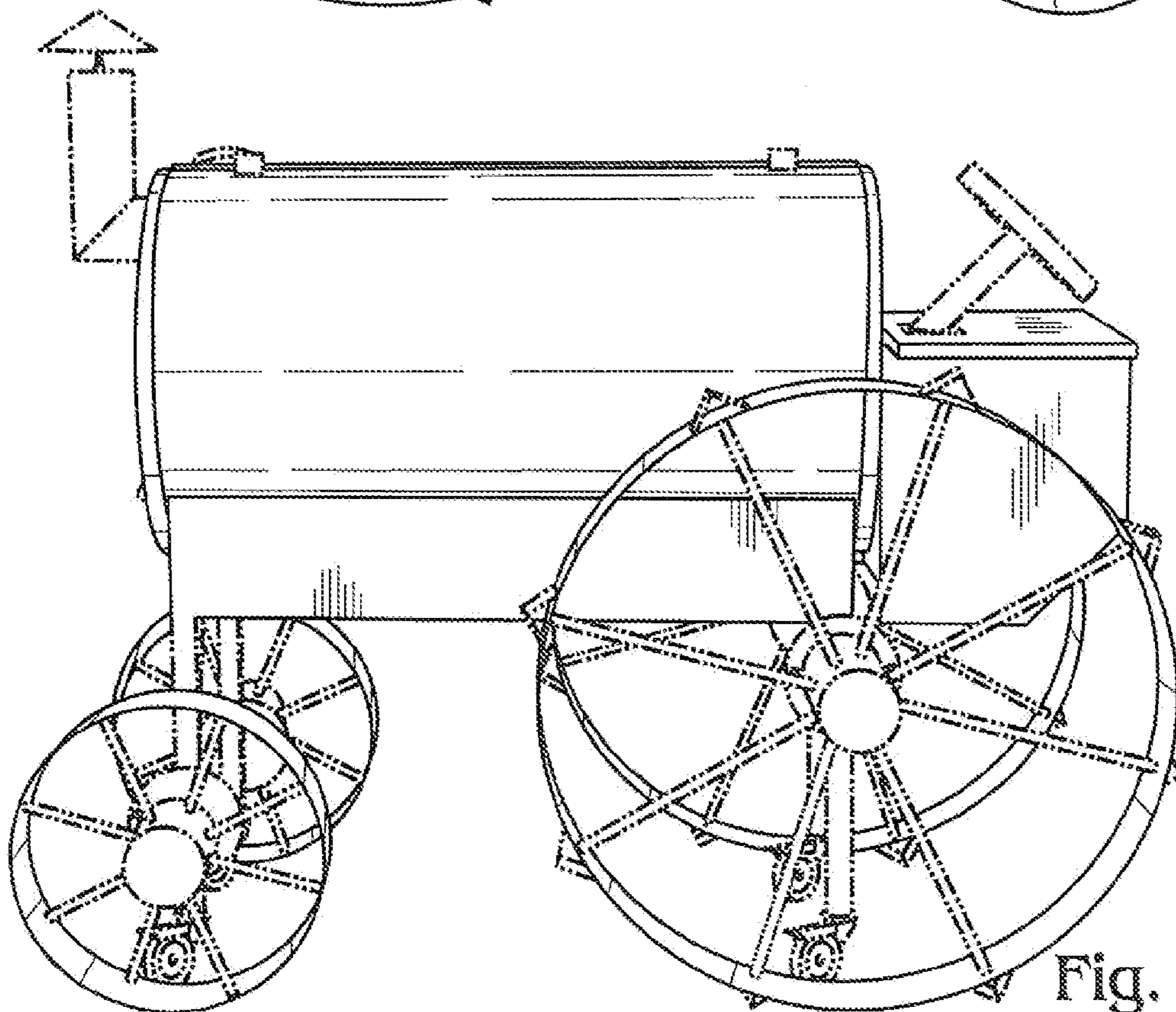
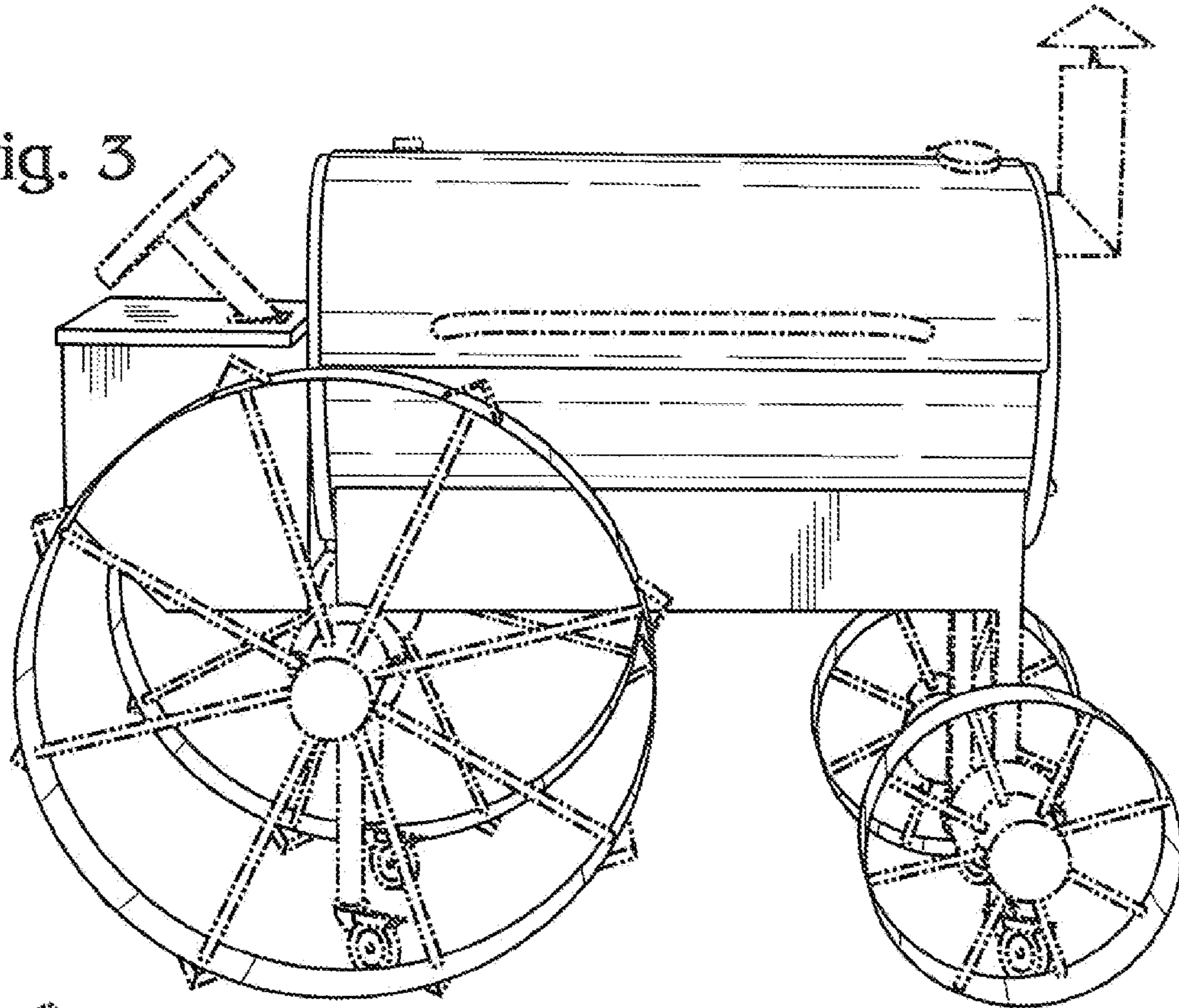


Fig. 4



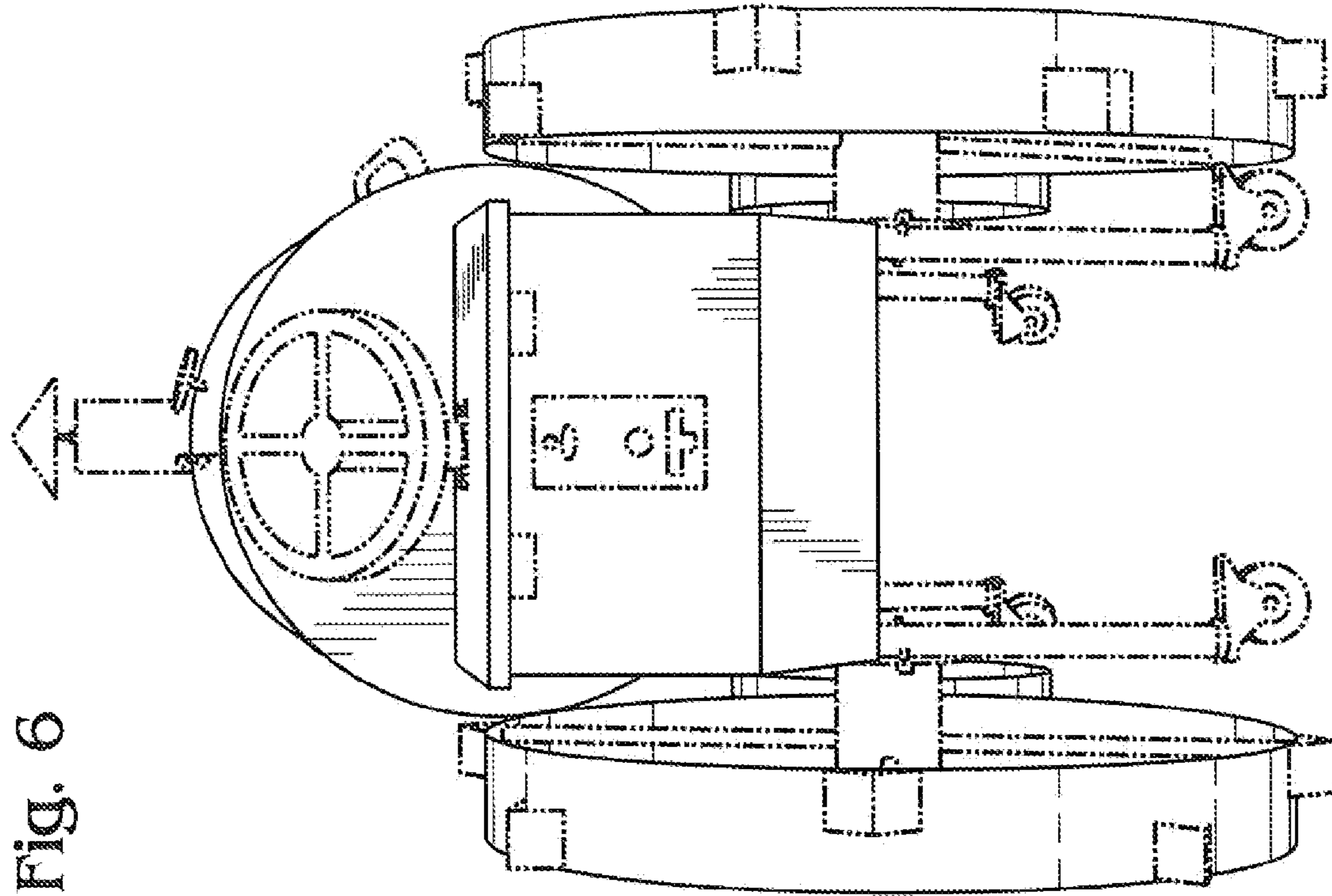


Fig. 6

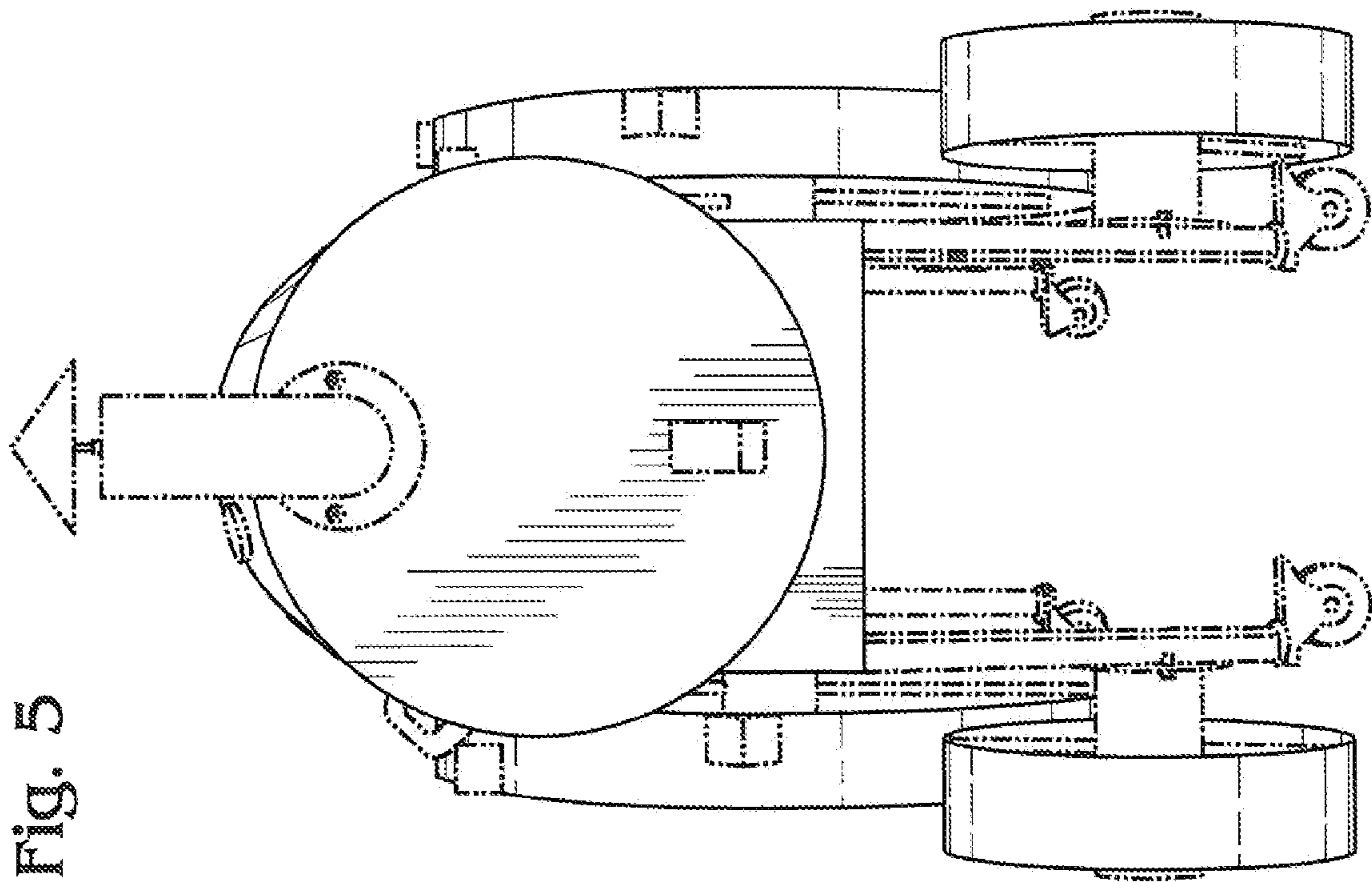


Fig. 5