



US00D577941S

(12) **United States Design Patent**
Winig et al.

(10) **Patent No.:** **US D577,941 S**
(45) **Date of Patent:** **** Oct. 7, 2008**

(54) **EYEWEAR DISPLAY FRAME**
(75) Inventors: **Alan Winig**, Wynnewood, PA (US);
Richard Winig, Villanova, PA (US);
James Eldon, Barto, PA (US)
(73) Assignee: **Eye Designs LLC**, Collegetown, PA (US)

6,443,316 B1 9/2002 Mao 422/74
6,519,883 B2 2/2003 Martorella 40/358
6,644,608 B1 11/2003 Begg 248/229.16
7,147,113 B2 12/2006 Obstfeld et al. 211/85.1
D536,563 S * 2/2007 Smith D6/567
D554,392 S 11/2007 Lane D6/468
D567,542 S 4/2008 Lane D6/468
D571,576 S 6/2008 Lane D6/457

(**) Term: **14 Years**

* cited by examiner

(21) Appl. No.: **29/306,436**

Primary Examiner—Brian N Vinson

(22) Filed: **Apr. 9, 2008**

(74) *Attorney, Agent, or Firm*—Duane Morris LLP

(51) **LOC (8) Cl.** **06-04**

(52) **U.S. Cl.** **D6/567**

(58) **Field of Classification Search** D6/553,
D6/567, 572; 248/220.31, 222.13, 902, 223.4;
211/13.1, 85.1, 86.01; 206/5

See application file for complete search history.

(57) **CLAIM**

The ornamental design for a eyewear display frame, as shown and described.

DESCRIPTION

FIG. 1 is a perspective view of the eyewear display frame;
FIG. 2 is another perspective view of the eyewear display frame according to the invention;
FIG. 3, is a front view of the eyewear display frame;
FIG. 4 is a rear view of the eyewear display frame;
FIG. 5 is a right view of the eyewear display frame;
FIG. 6 is a side view of the eyewear display frame;
FIG. 7 is a side view of the eyewear display frame; and,
FIG. 8 is a bottom view of the eyewear display frame.

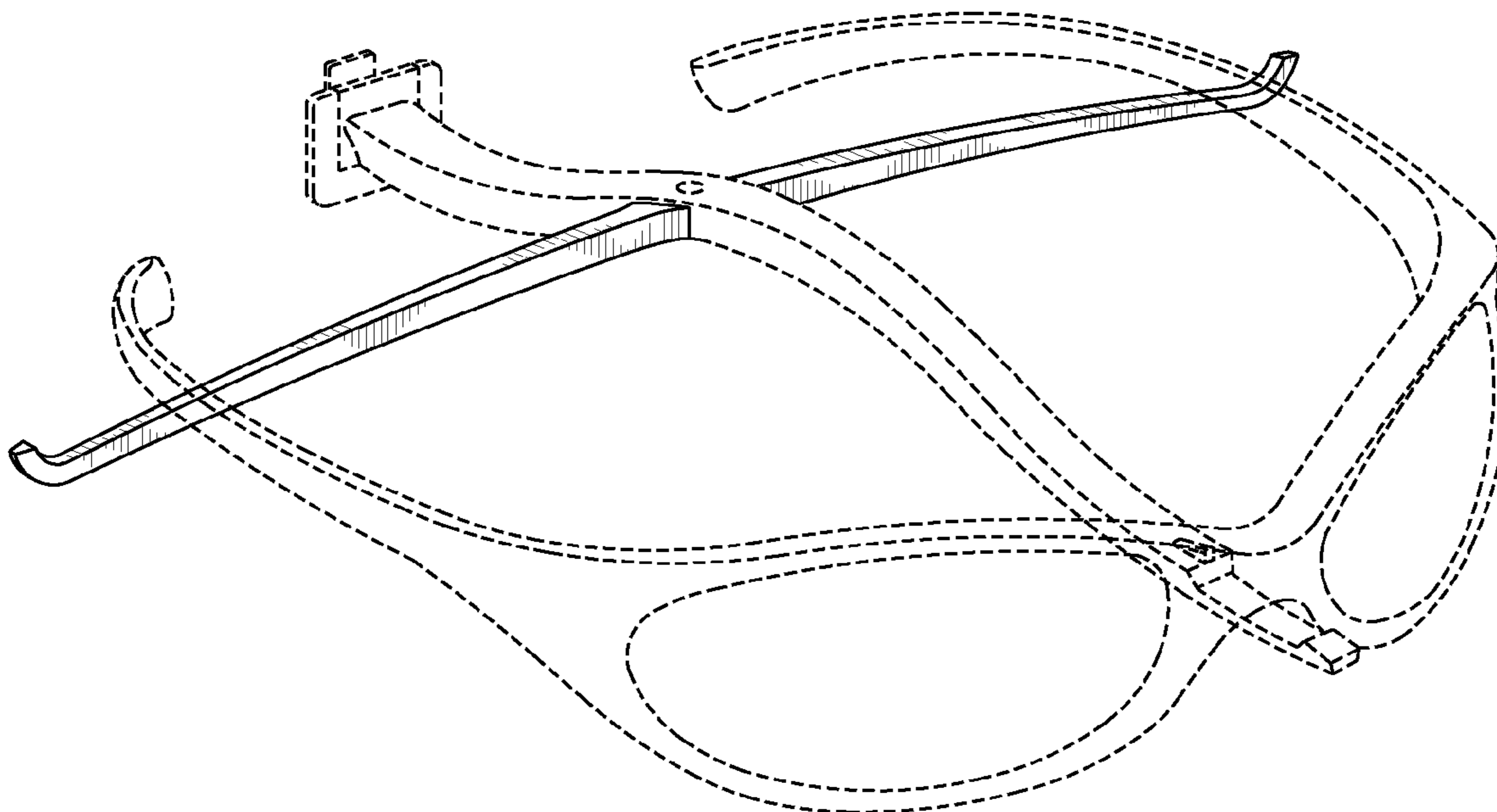
The broken line showing of structure is for illustrative purposes only and forms no part of the claimed design.

(56) **References Cited**

U.S. PATENT DOCUMENTS

3,229,944 A * 1/1966 Everburg 248/220.31
5,069,416 A * 12/1991 Ennis 211/85.1
5,085,388 A 2/1992 Creutz 248/288.5
5,316,252 A * 5/1994 Charnow et al. 211/85.1
D374,366 S * 10/1996 Eldon et al. D6/567
5,593,045 A 1/1997 Eldon, III et al. 211/13
5,819,957 A 10/1998 Hahn 211/85.1
D401,450 S 11/1998 Ennis D6/466
D402,827 S 12/1998 Ennis D6/466
D406,714 S * 3/1999 Eldon et al. D6/567
5,921,409 A 7/1999 Gerber et al. 211/85.1
6,401,371 B2 6/2002 Martorella 40/358

1 Claim, 5 Drawing Sheets



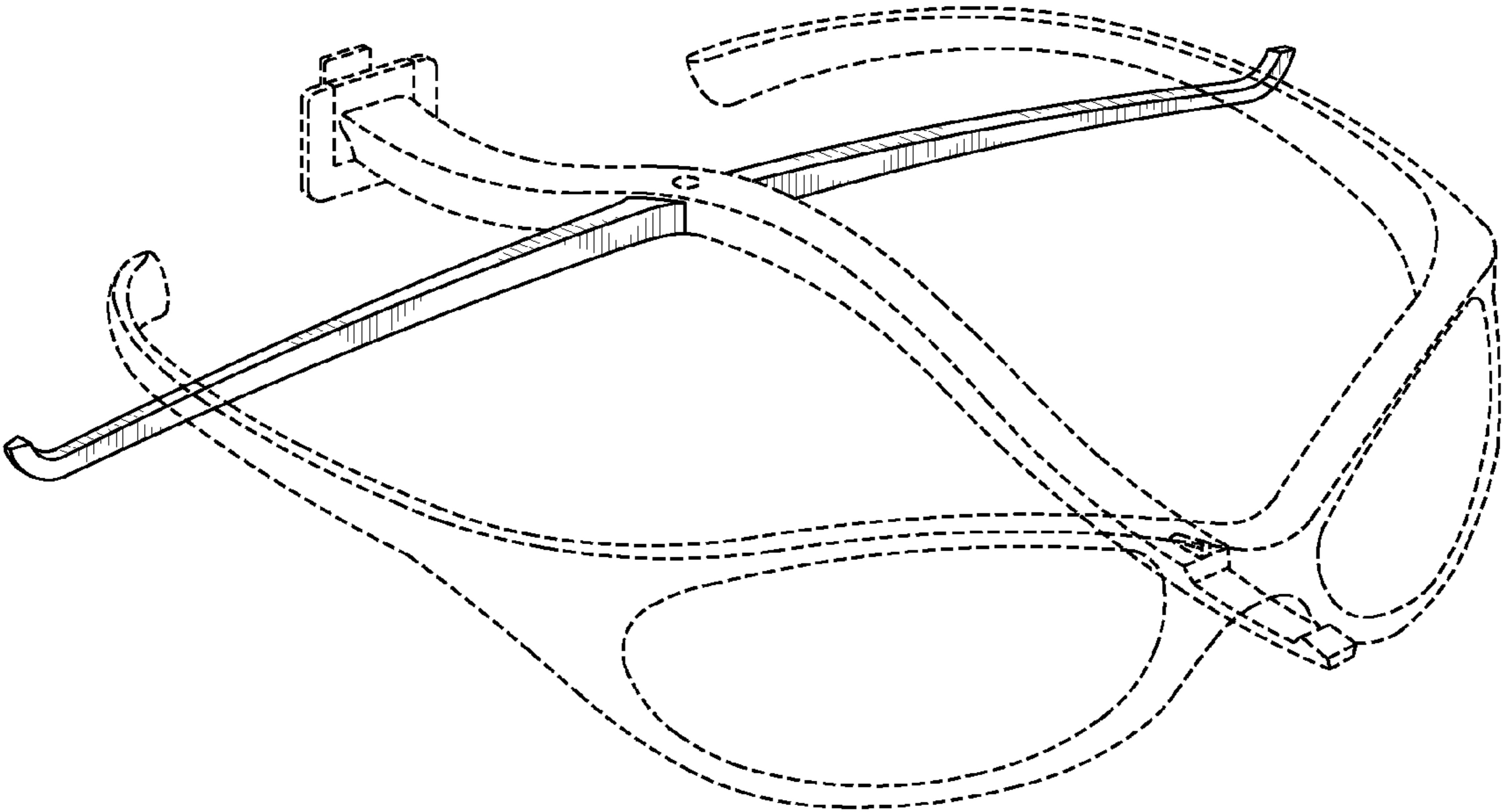


FIG. 1

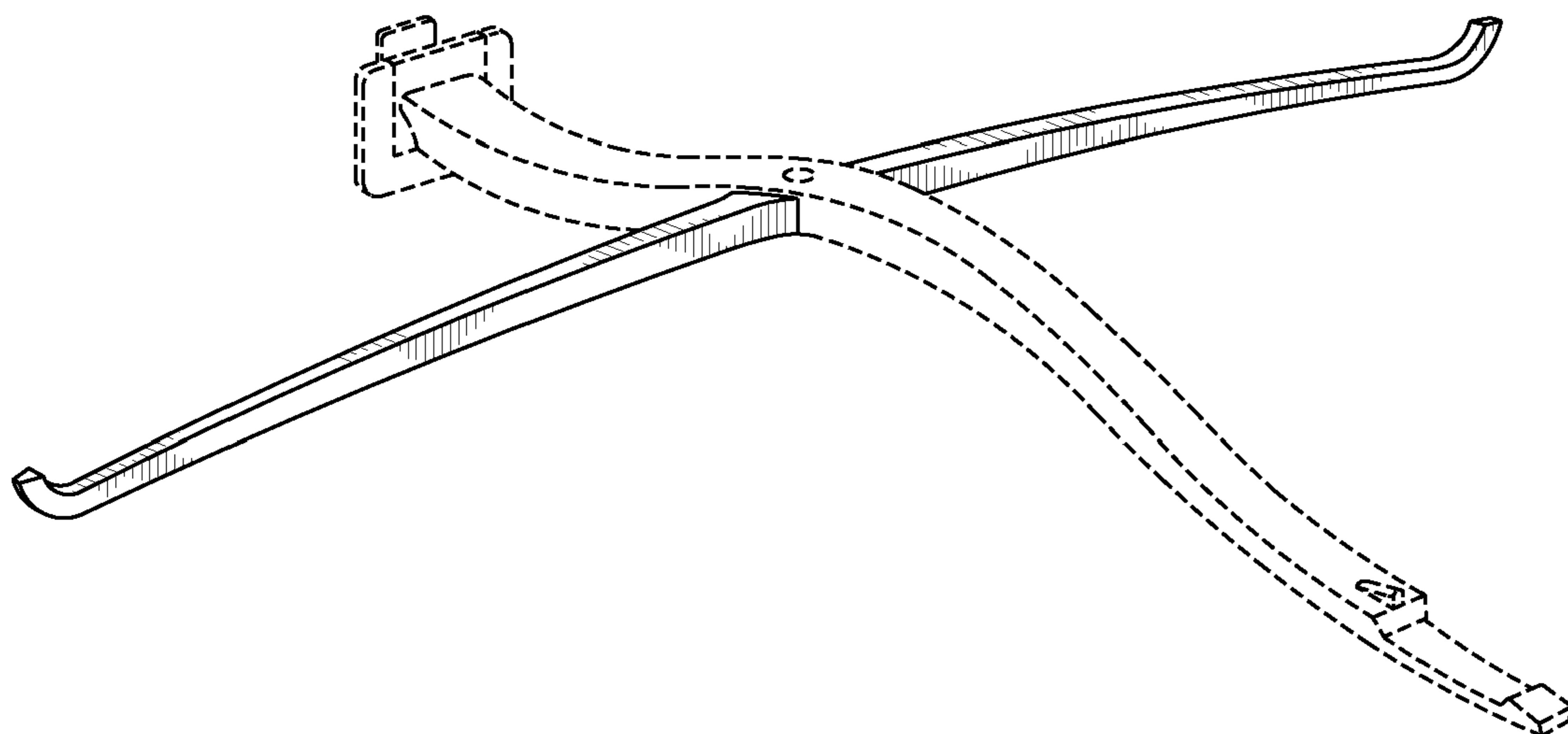


FIG. 2

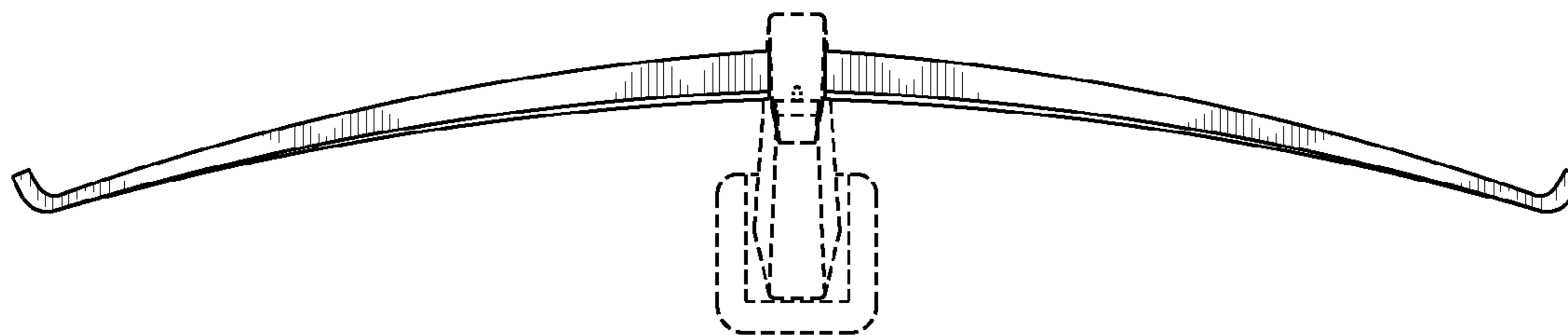


FIG. 3

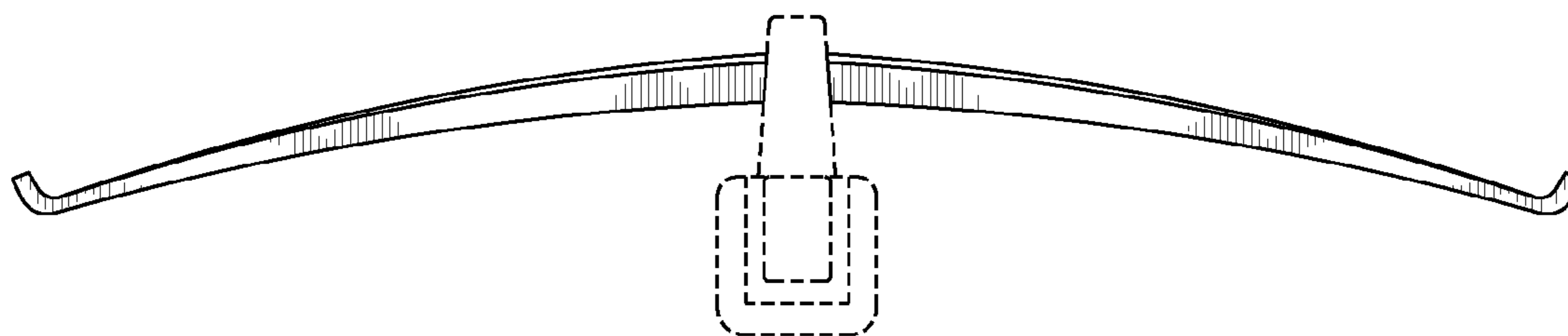


FIG. 4

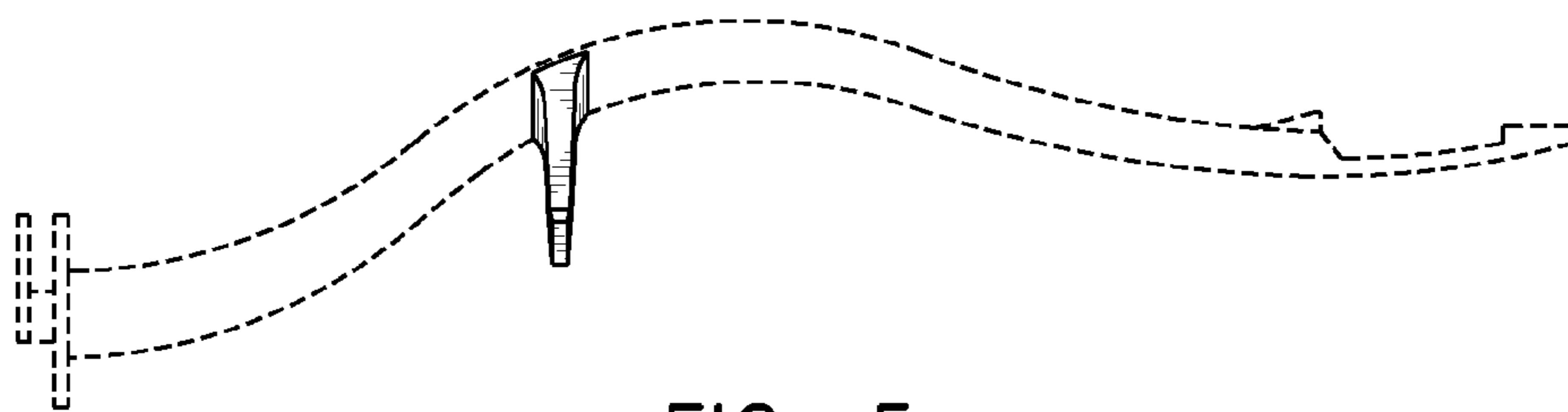


FIG. 5

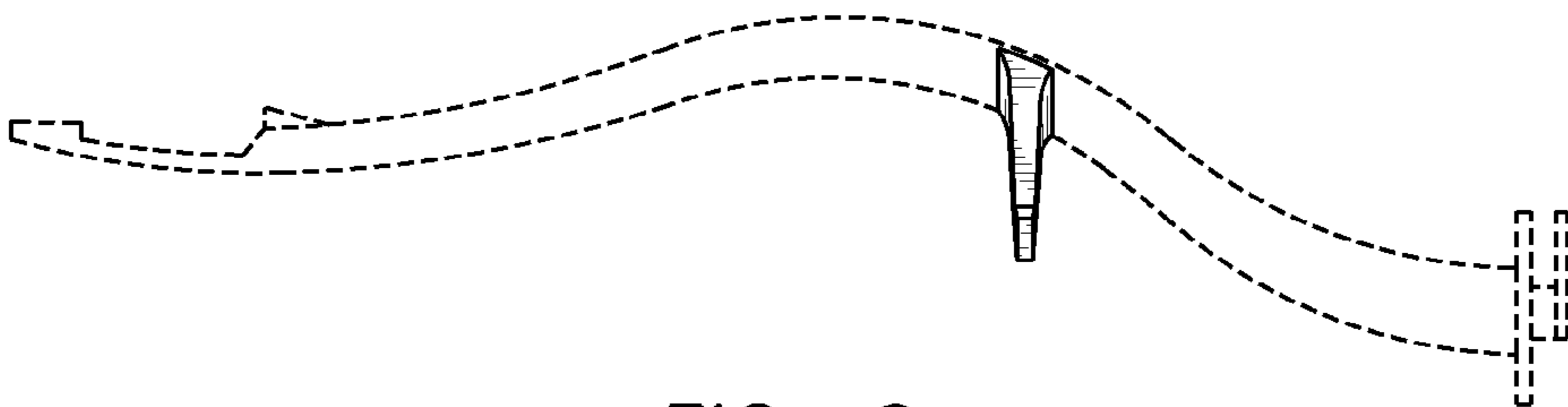


FIG. 6

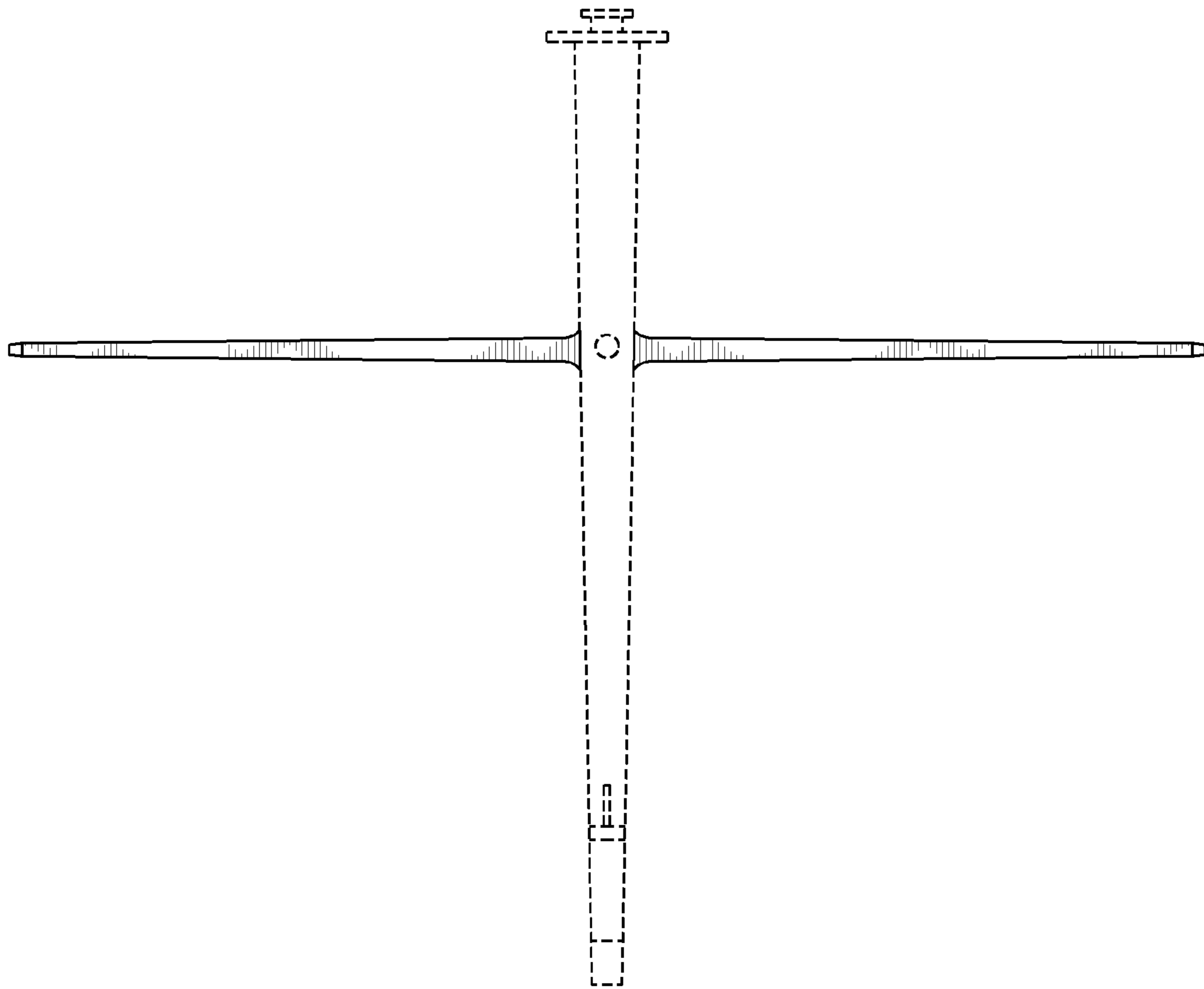


FIG. 7

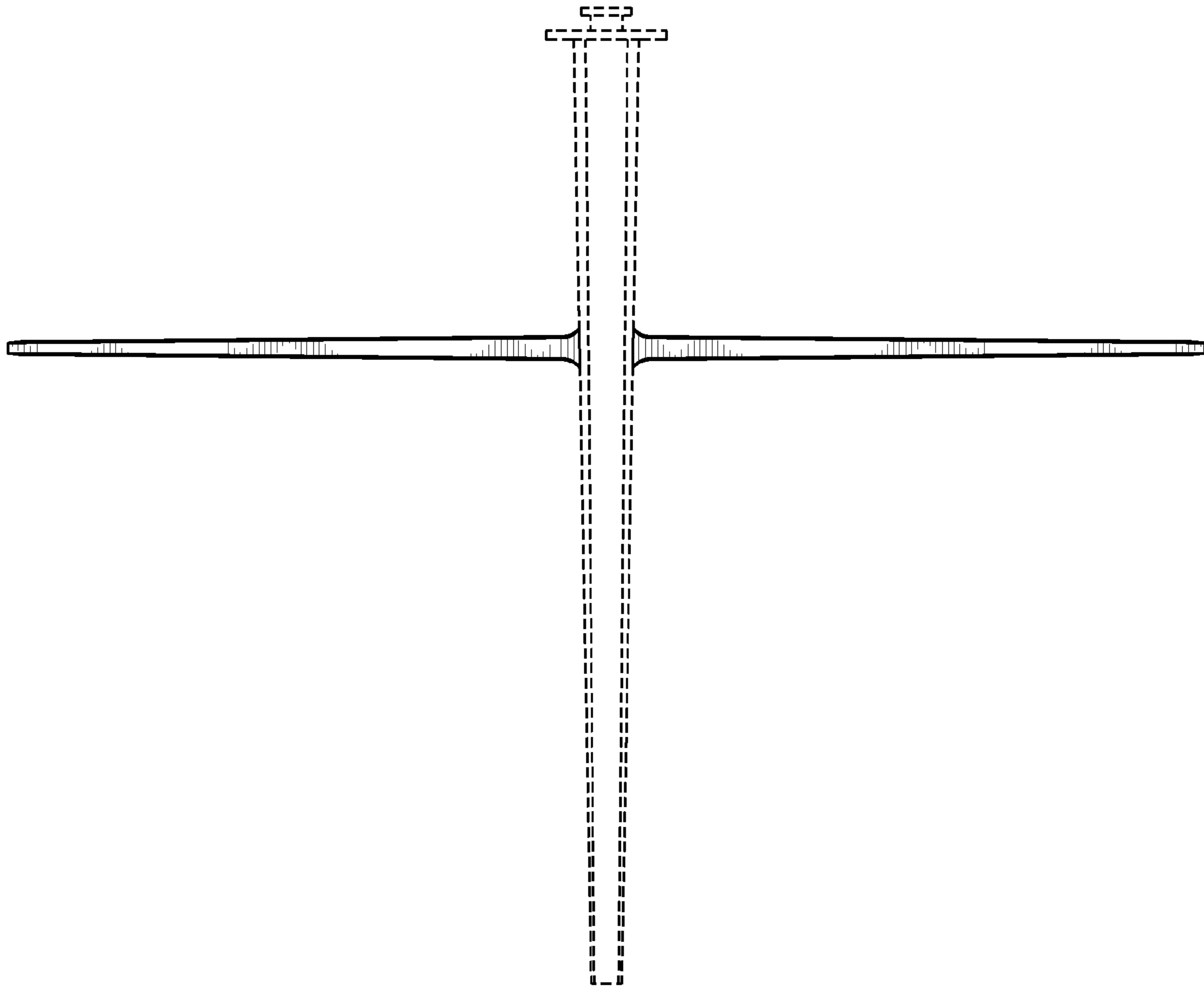


FIG. 8