



US00D577940S

(12) **United States Design Patent**  
**Winig et al.**

(10) **Patent No.:** **US D577,940 S**  
(45) **Date of Patent:** **\*\* Oct. 7, 2008**

(54) **EYEWEAR DISPLAY FRAME**  
(75) Inventors: **Alan Winig**, Wynnewood, PA (US);  
**Richard Winig**, Villanova, PA (US);  
**James Eldon**, Barto, PA (US)  
(73) Assignee: **Eye Designs LLC**, Collegetown, PA (US)

6,443,316 B1 9/2002 Mao ..... 422/74  
6,519,883 B2 2/2003 Martorella ..... 40/358  
6,644,608 B1 11/2003 Begg ..... 248/229.16  
7,147,113 B2 12/2006 Obstfeld et al. .... 211/85.1  
D536,563 S \* 2/2007 Smith ..... D6/567  
D554,392 S 11/2007 Lane ..... D6/468  
D567,542 S 4/2008 Lane ..... D6/468  
D571,576 S 6/2008 Lane ..... D6/457

(\*\*) Term: **14 Years**

\* cited by examiner

(21) Appl. No.: **29/306,434**

*Primary Examiner*—Brian N Vinson

(22) Filed: **Apr. 9, 2008**

(74) *Attorney, Agent, or Firm*—Duane Morris LLP

(51) **LOC (8) Cl.** ..... **06-04**

(52) **U.S. Cl.** ..... **D6/567**

(58) **Field of Classification Search** ..... D6/553,  
D6/567, 572; 248/220.31, 222.13, 902, 223.4;  
211/13.1, 85.1, 86.01; 206/5

See application file for complete search history.

(57) **CLAIM**

The ornamental design for a eyewear display frame, as shown and described.

**DESCRIPTION**

FIG. 1 is a perspective view of the eyewear display frame;  
FIG. 2 is another perspective view of the eyewear display frame according to the invention;  
FIG. 3, is a front view of the eyewear display frame;  
FIG. 4 is a rear view of the eyewear display frame;  
FIG. 5 is a right view of the eyewear display frame;  
FIG. 6 is a side view of the eyewear display frame;  
FIG. 7 is a side view of the eyewear display frame; and,  
FIG. 8 is a bottom view of the eyewear display frame.

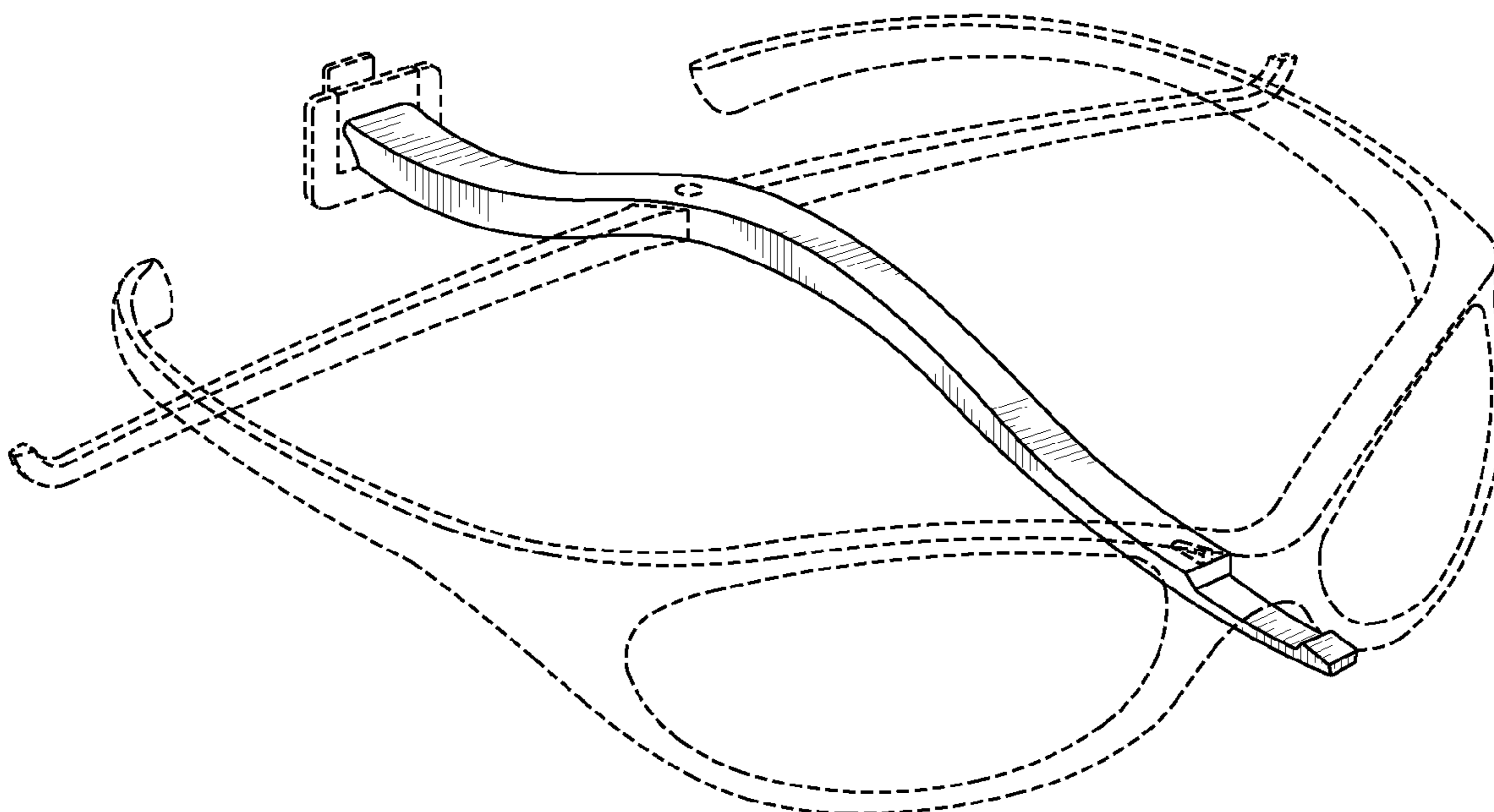
The broken line showing of structure is for illustrative purposes only and forms no part of the claimed design.

(56) **References Cited**

U.S. PATENT DOCUMENTS

3,229,944 A \* 1/1966 Everburg ..... 248/220.31  
5,069,416 A \* 12/1991 Ennis ..... 211/85.1  
5,085,388 A 2/1992 Creutz ..... 248/288.5  
5,316,252 A \* 5/1994 Charnow et al. .... 211/85.1  
D374,366 S \* 10/1996 Eldon et al. .... D6/567  
5,593,045 A 1/1997 Eldon, III et al. .... 211/13  
5,819,957 A 10/1998 Hahn ..... 211/85.1  
D401,450 S 11/1998 Ennis ..... D6/466  
D402,827 S 12/1998 Ennis ..... D6/466  
D406,714 S \* 3/1999 Eldon et al. .... D6/567  
5,921,409 A 7/1999 Gerber et al. .... 211/85.1  
6,401,371 B2 6/2002 Martorella ..... 40/358

**1 Claim, 5 Drawing Sheets**



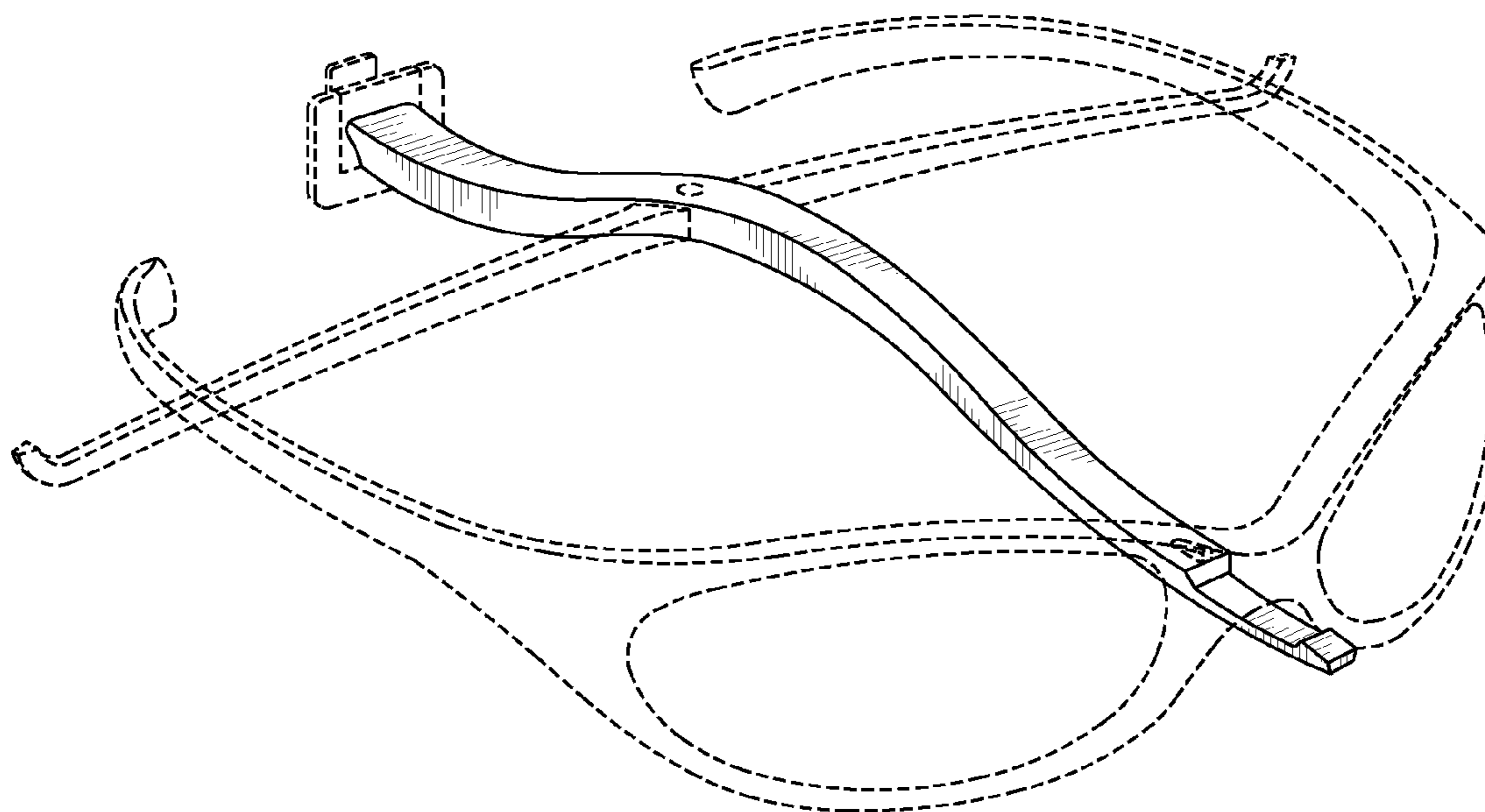


FIG. 1

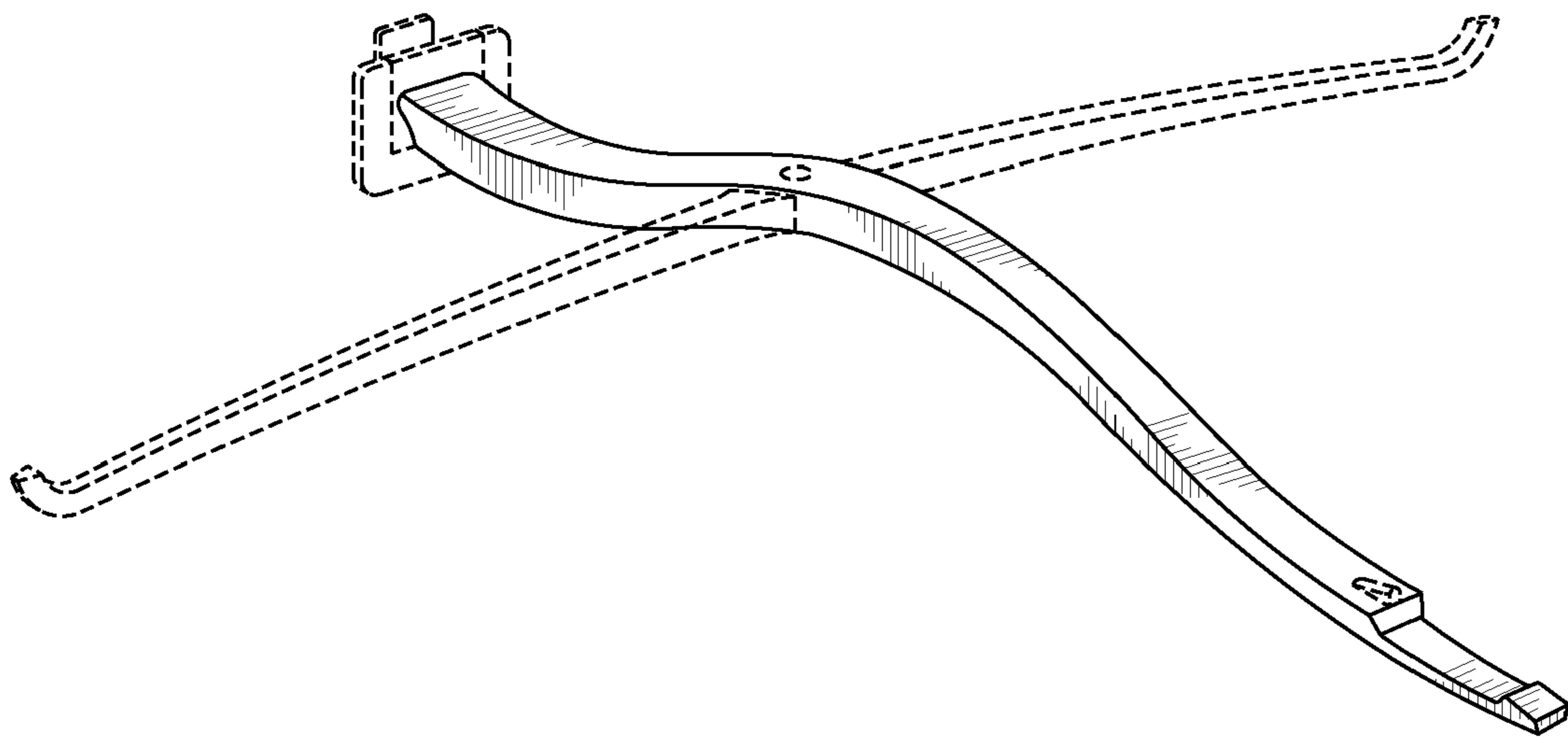


FIG. 2

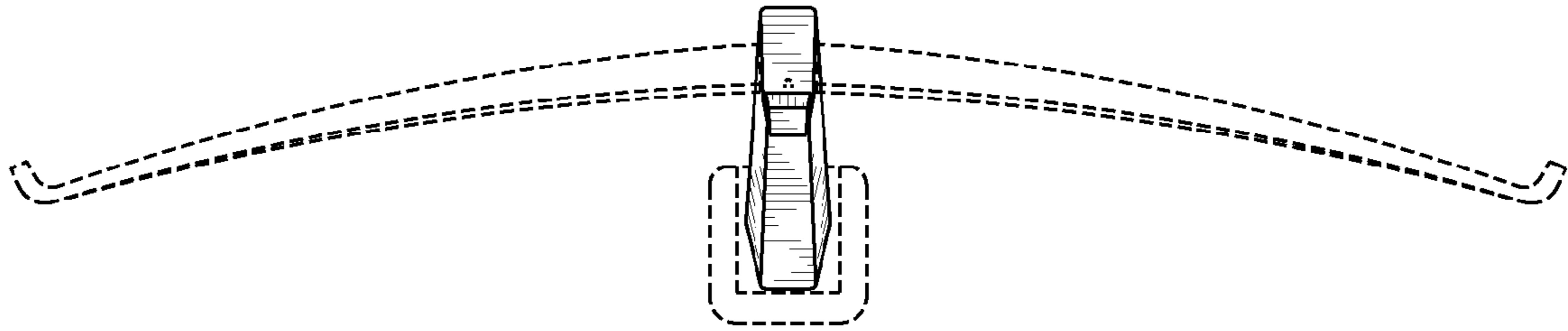


FIG. 3

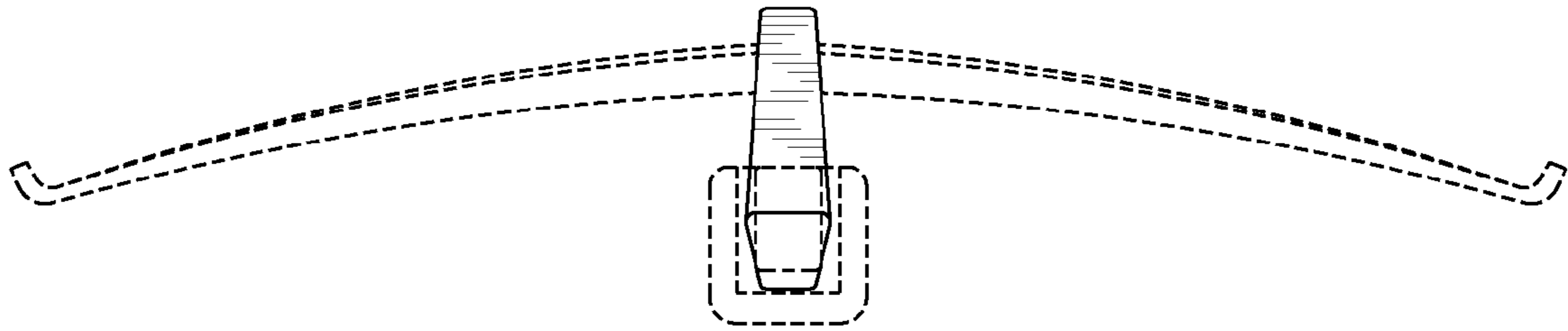


FIG. 4

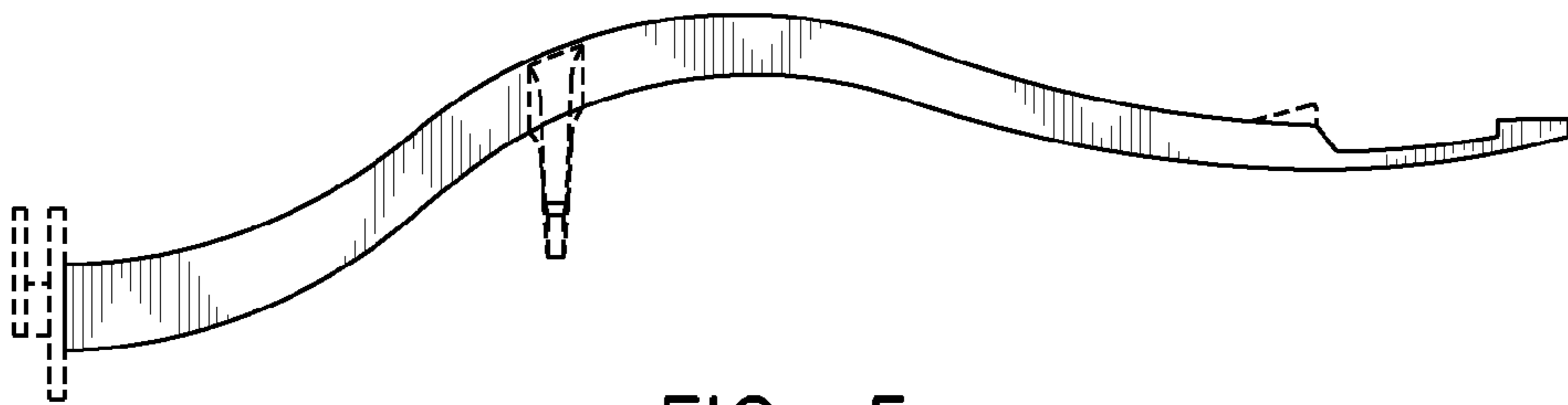


FIG. 5

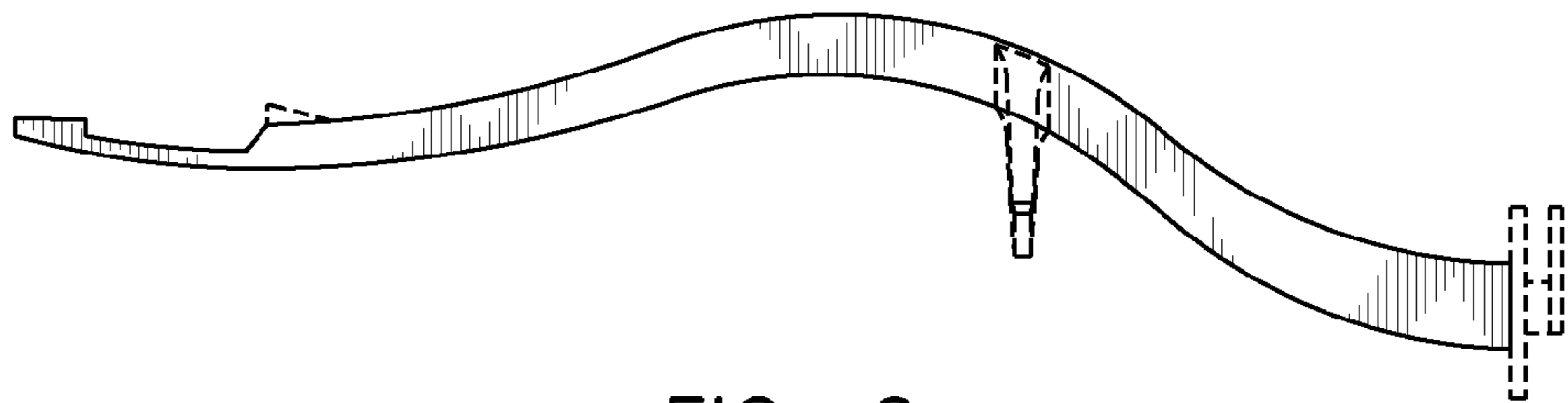


FIG. 6

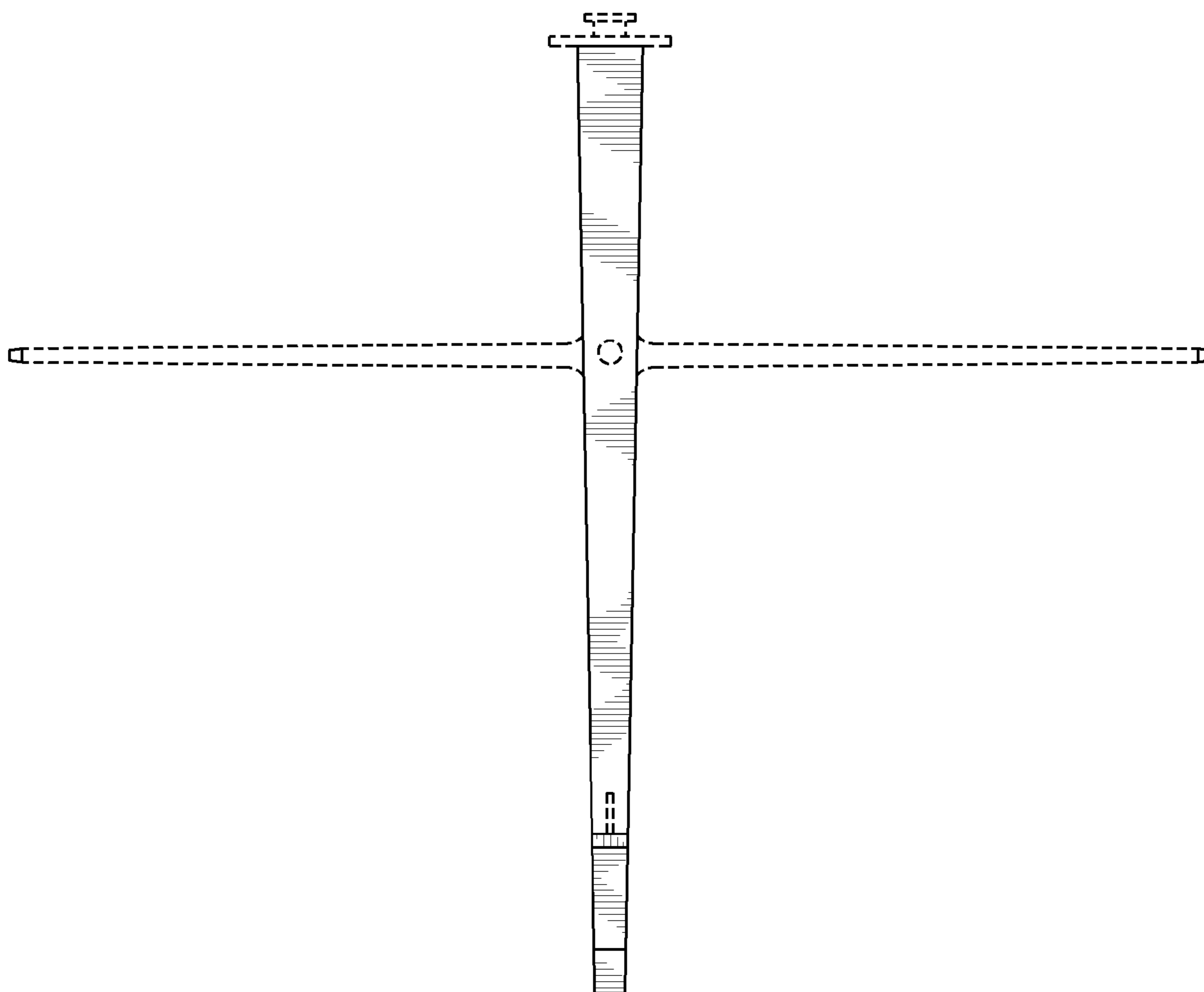


FIG. 7

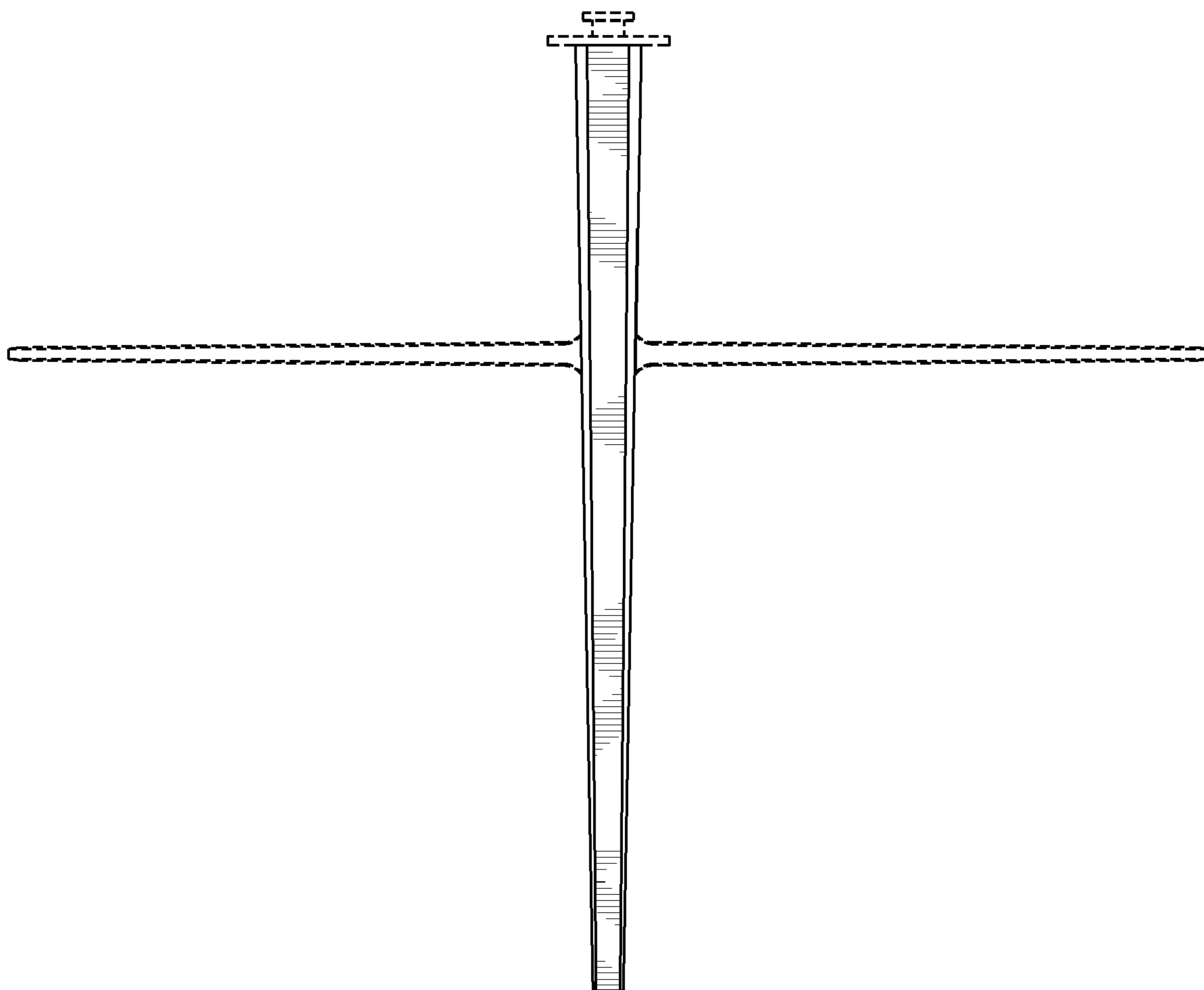


FIG. 8