



US00D577939S

(12) **United States Design Patent**  
**Rubin et al.**

(10) **Patent No.:** **US D577,939 S**  
(45) **Date of Patent:** **\*\* Oct. 7, 2008**

(54) **WALL MOUNTABLE SUPPORT**

(75) Inventors: **Leila M. Rubin**, Sheboygan, WI (US);  
**Herbert V. Kohler, Jr.**, Kohler, WI (US)

(73) Assignee: **Kohler Co.**, Kohler, WI (US)

(\*\*) Term: **14 Years**

(21) Appl. No.: **29/279,809**

(22) Filed: **May 8, 2007**

(51) **LOC (8) Cl.** ..... **06-04**

(52) **U.S. Cl.** ..... **D6/548**

(58) **Field of Classification Search** ..... D6/546-550,  
D6/518-519, 522-524; D8/300, 303, 315-321,  
D8/354, 363, 373, 380; 108/28-29; 211/13.1,  
211/16, 60.1, 86.01, 87.01, 88.01, 88.04,  
211/100, 105.1-105.2, 119.003, 123, 126.1,  
211/133.6, 134, 181.1, 182; 248/175, 176.1,  
248/200, 214, 251, 302, 309.1; 16/110.1,  
16/412, 415; 242/570, 590; 206/389, 557  
See application file for complete search history.

(56) **References Cited**

**U.S. PATENT DOCUMENTS**

D477,169 S	*	7/2003	Hoernig	.....	D6/548
D485,464 S	*	1/2004	Clucas	.....	D6/566
D492,868 S	*	7/2004	Ayers et al.	.....	D6/524
D493,313 S	*	7/2004	Hoernig	.....	D6/524
D540,594 S	*	4/2007	Hoernig	.....	D6/548

**OTHER PUBLICATIONS**

Kohler Co. "Bancroft 28" Towel Bar". Model No. K-11410. Kohler Co. online catalog. Copyright 2007 Kohler Co.  
Danze. "Plymouth Double Towel Bar 24". HomePortfolio.com online catalog. Copyright 1997-2007 HomePortfolio Inc.  
Kohler Co. "Devonshire 24" double towel bar". Model No. K-10553. Kohler Co. online catalog. copyright 2007 Kohler Co.  
Atelier Design Group. "Complements Collection". Model No.: Complements #501401. HomePortfolio.com online catalog. Copyright 1997-2007 HomePortfolio Inc.  
Bath Emporium. "Towel Racks". BathEmporium.com online catalog. Copyright Bath Emporium.  
Use. "Nuovo 20" Shelf/Towel Rod". Model No. 1690.01. HomePortfolio.com online catalog. Copyright 1997-2007 HomePortfolio Inc.

Ginger. "Canterbury Shelf with Towel Bar". HomePortfolio.com online catalog. Copyright 1997-2007 HomePortfolio Inc.  
Ginger. "Circa 20" Hotel Shelf with Towel Bar". HomePortfolio.com online catalog. Copyright 1997-2007 HomePortfolio Inc.

\* cited by examiner

*Primary Examiner*—Brian N Vinson

(74) *Attorney, Agent, or Firm*—Quarles & Brady LLP

(57) **CLAIM**

The ornamental design for a wall mountable support, as shown and described.

**DESCRIPTION**

In a preferred embodiment, the nature of this product is a wall mountable support, such as a single or double rung towel bar, a single or double ledge shelf, or a mirrored shelf.

FIG. 1 is a left, top, front perspective view of a wall mountable support according to our new design;

FIG. 2 is a left side elevational view thereof, the right side elevational view thereof being a mirror image of the left side shown;

FIG. 3 is a top plan view thereof;

FIG. 4 is a bottom plan view thereof;

FIG. 5 is a front elevational view thereof;

FIG. 6 is a rear elevational view thereof;

FIG. 7 is a left, top, front perspective view of a wall mountable support according to another embodiment of our new design, the front and rear elevational views thereof being identical to respective FIGS. 5 and 6;

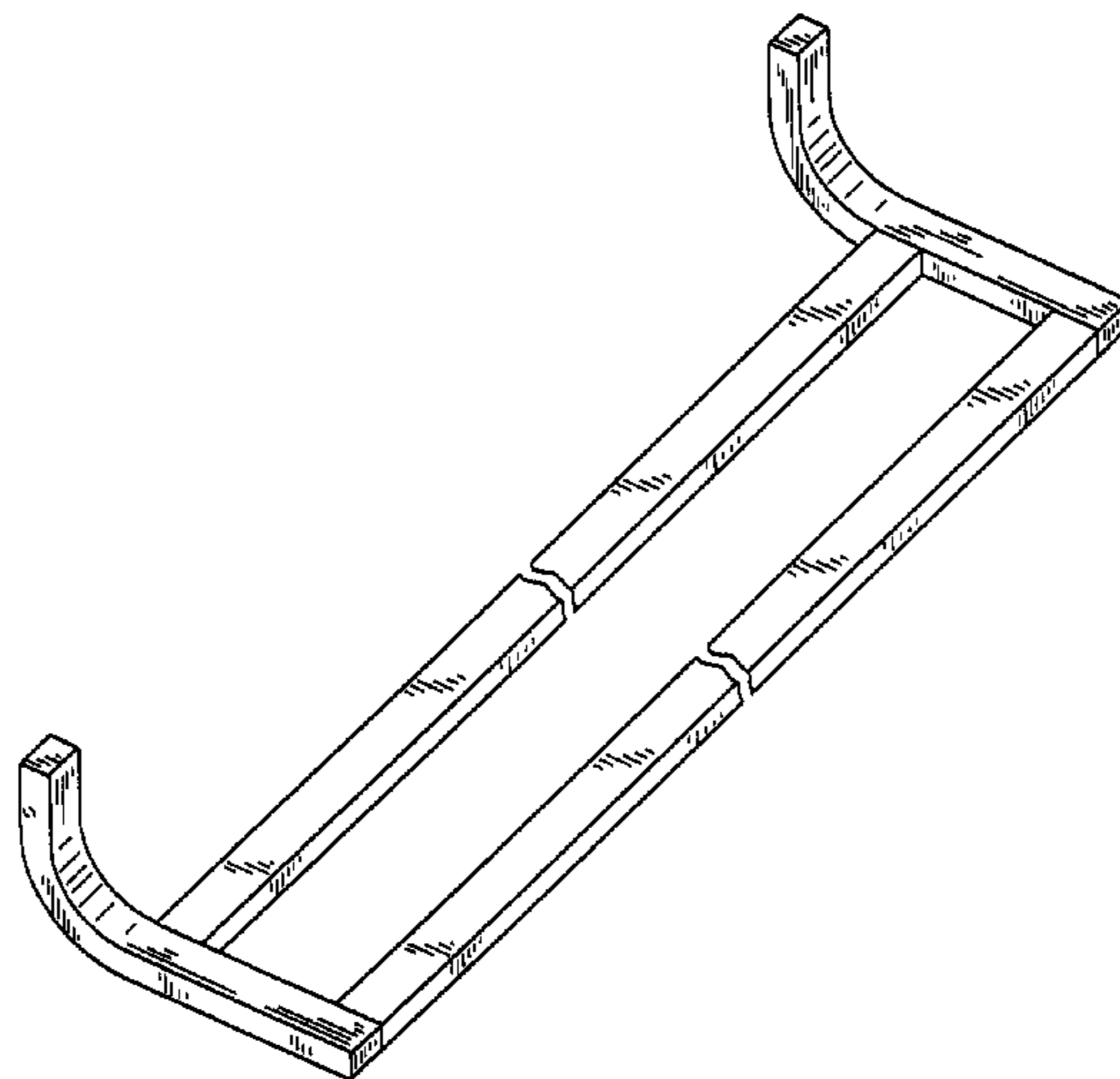
FIG. 8 is a left side elevational view thereof, the right side elevational view thereof being a mirror image of the left side shown;

FIG. 9 is a top plan view hereof; and,

FIG. 10 is a bottom plan view thereof.

The broken-line disclosure in the views is for illustrative purposes only and forms no part of the claimed design. The broken-away horizontal elements are understood to indicate unclaimed length.

**1 Claim, 7 Drawing Sheets**



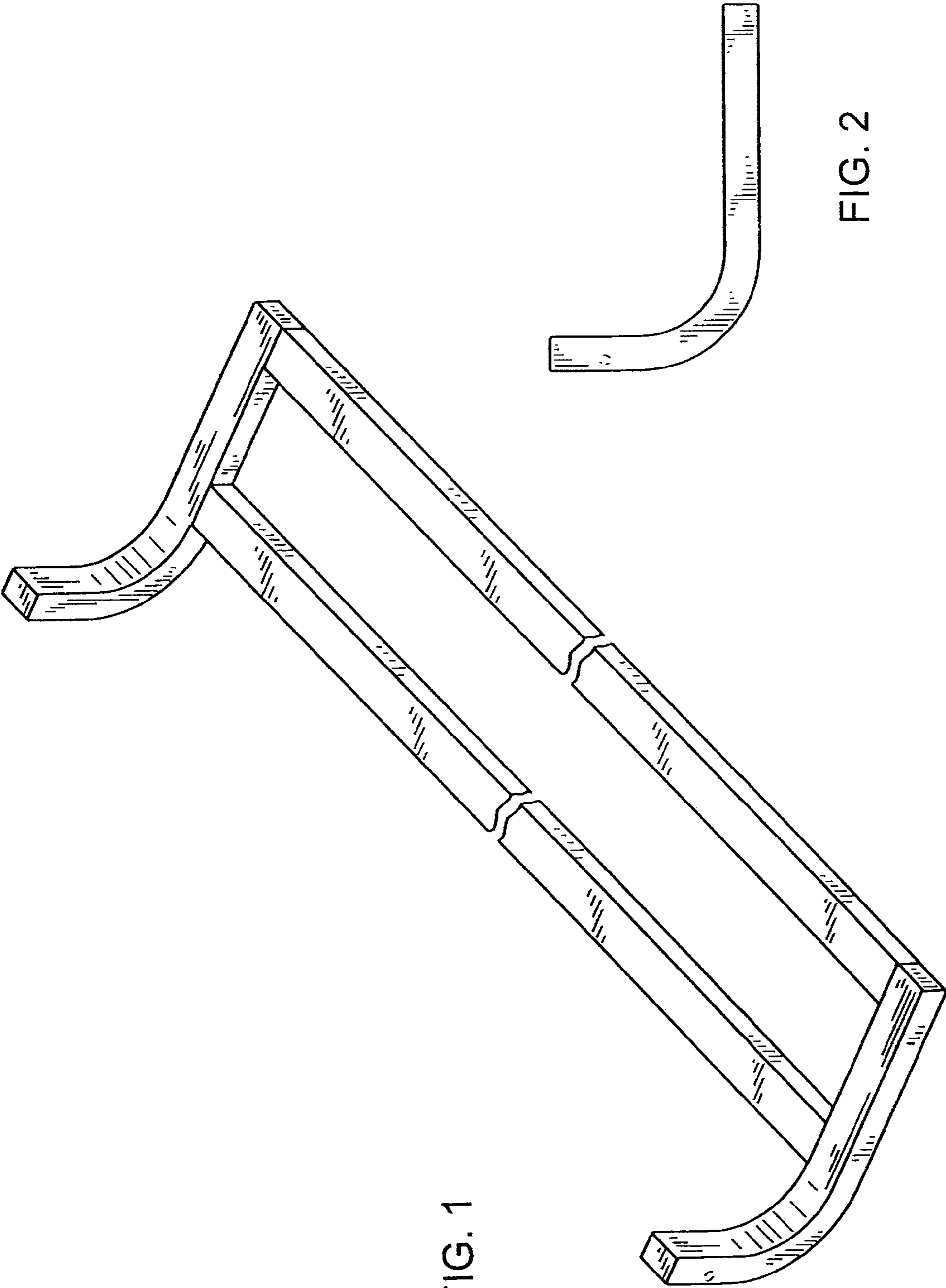


FIG. 1

FIG. 2

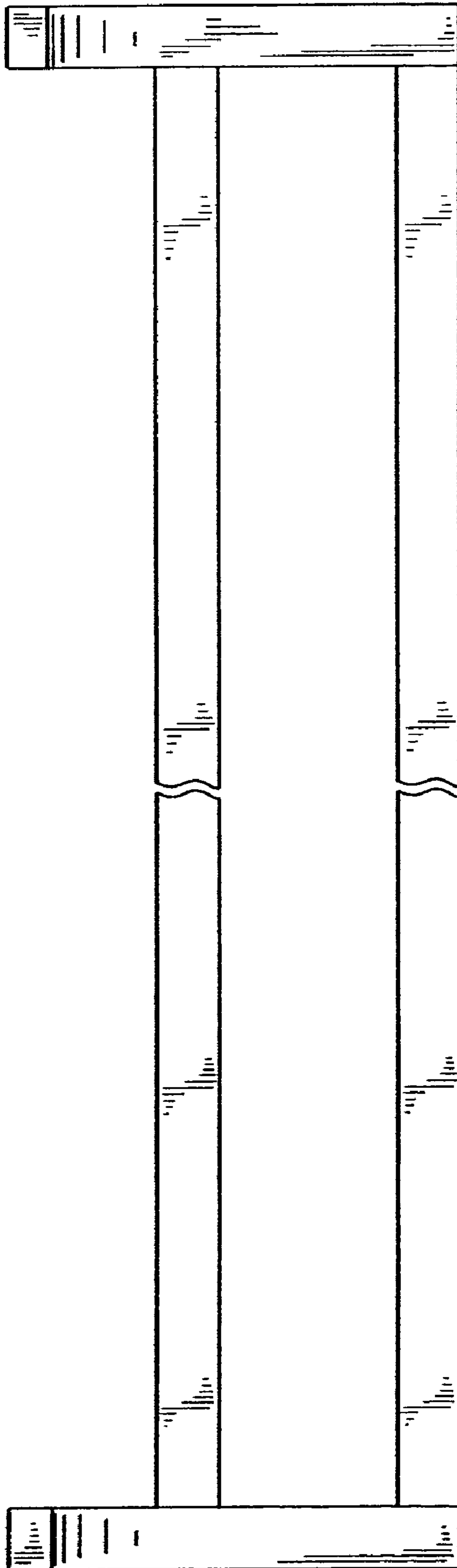


FIG. 3

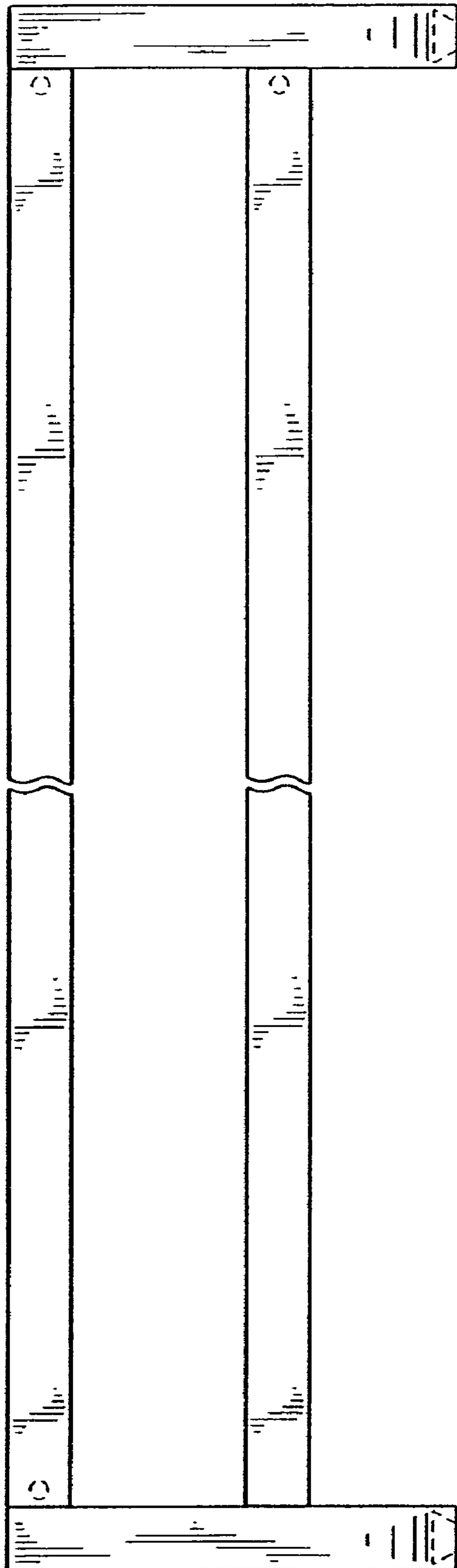


FIG. 4

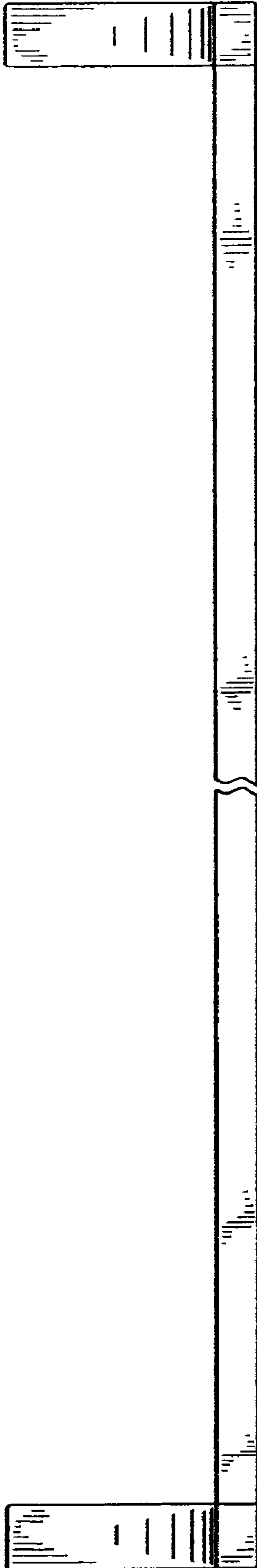


FIG. 5

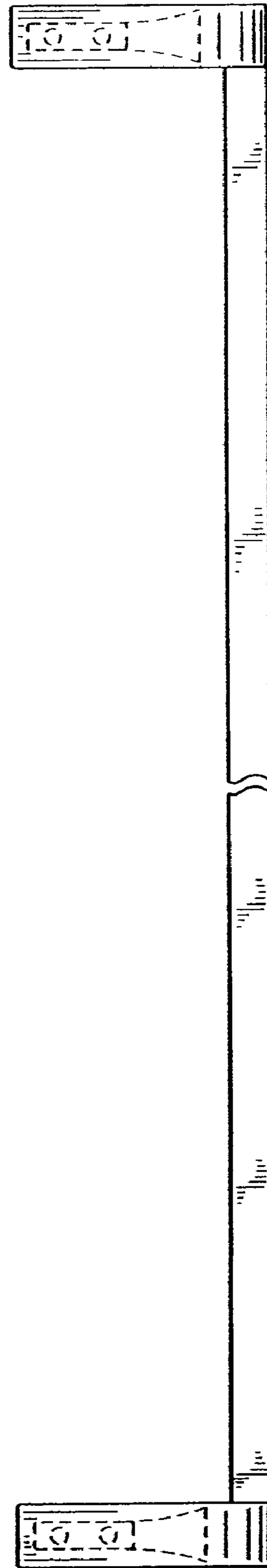


FIG. 6

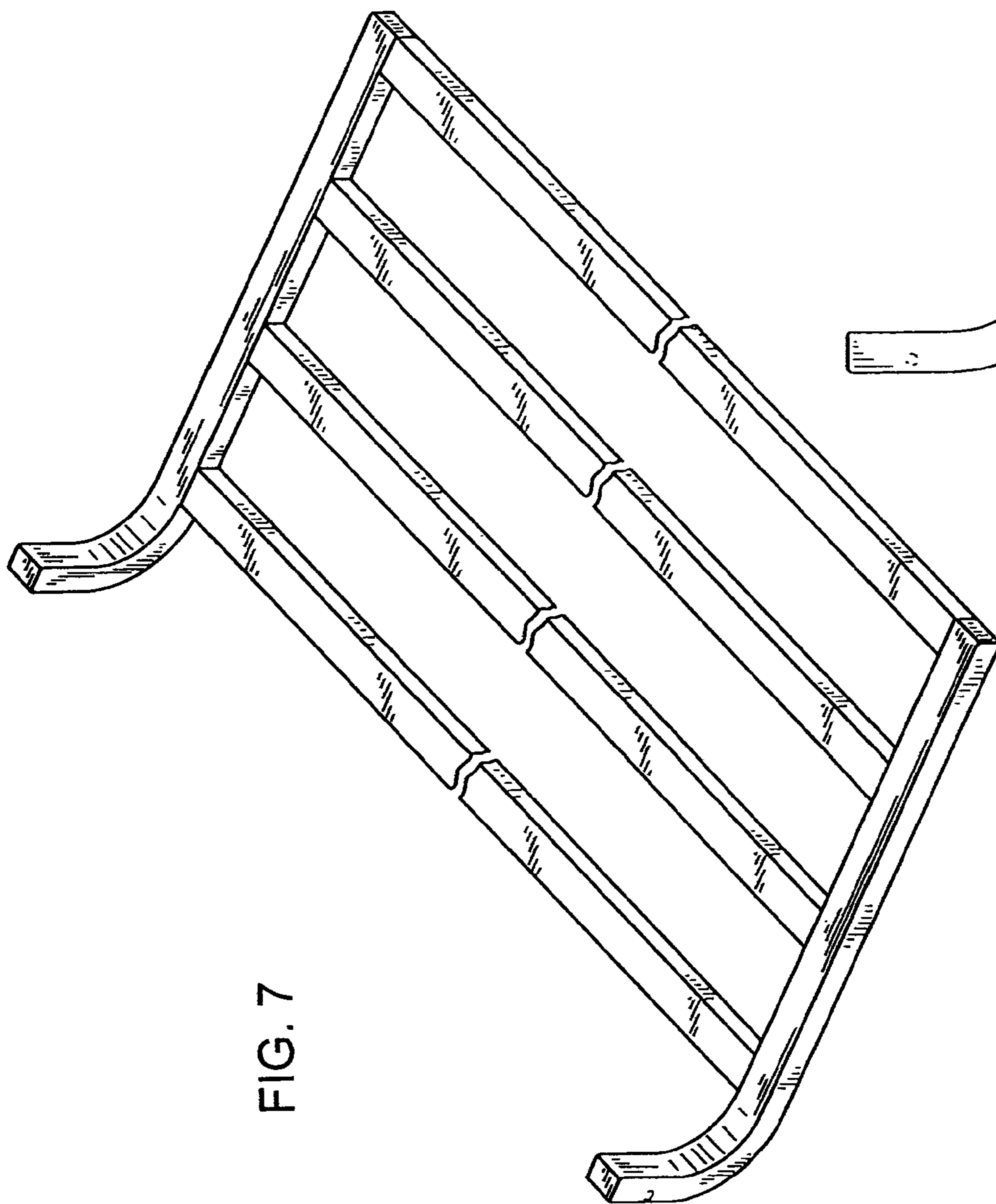
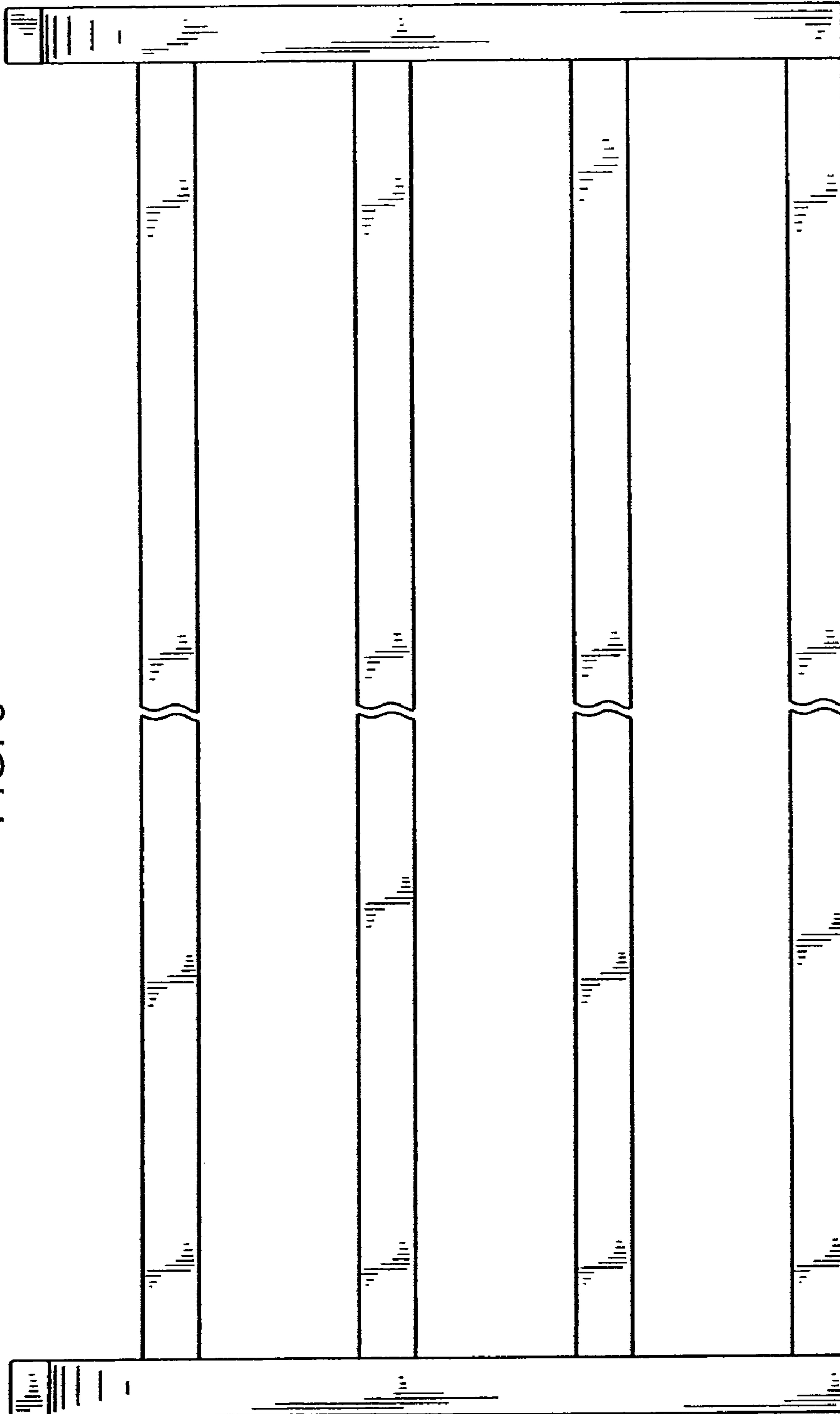


FIG. 7



FIG. 8

FIG. 9



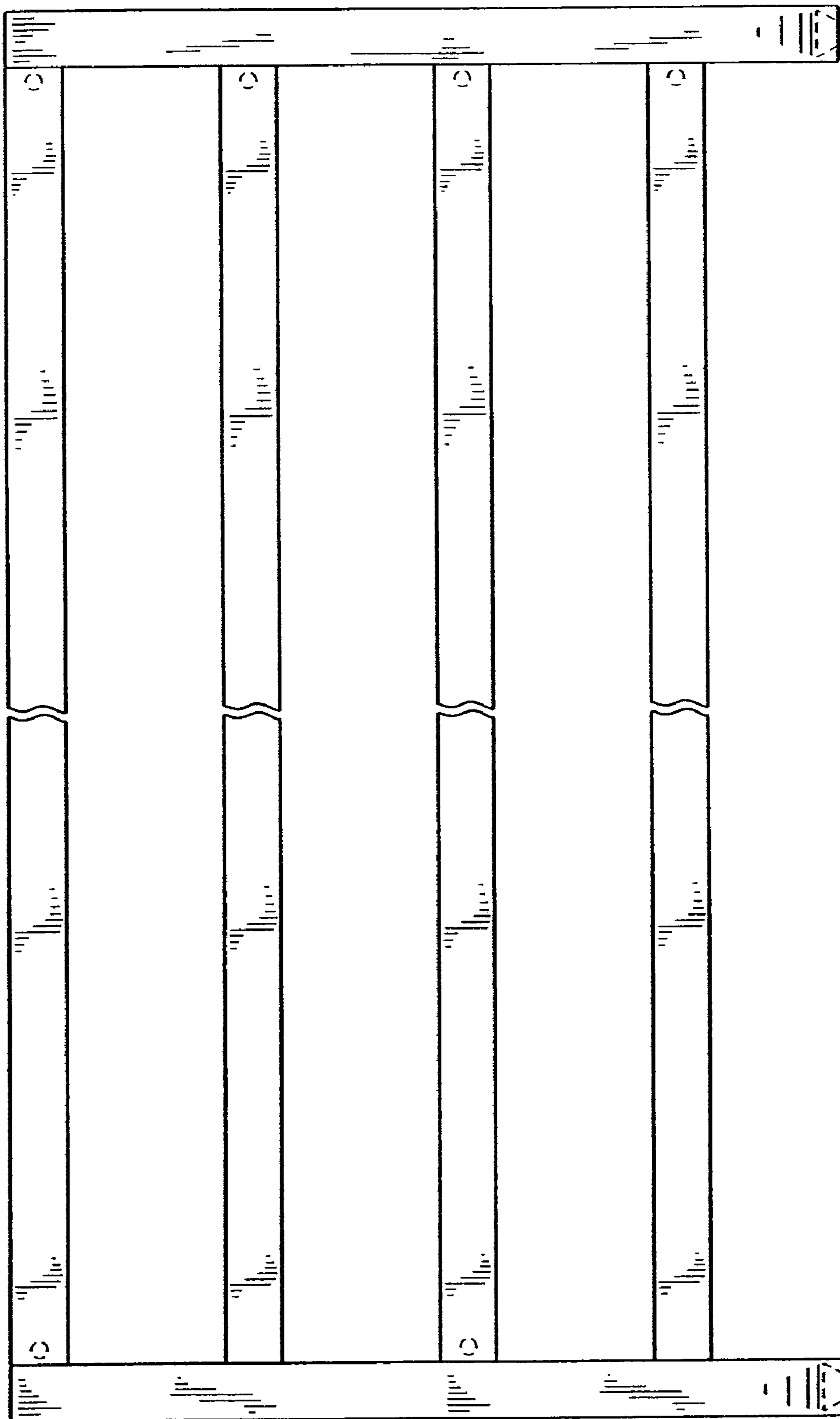


FIG. 10