



US00D577938S

(12) **United States Design Patent**
Krumpe

(10) **Patent No.:** **US D577,938 S**

(45) **Date of Patent:** **** Oct. 7, 2008**

(54) **TOWEL RING**

(75) Inventor: **Geraint Krumpe**, Chicago, IL (US)

(73) Assignee: **Liberty Hardware Mfg. Corp.**,
Winston-Salem, NC (US)

(**) Term: **14 Years**

(21) Appl. No.: **29/272,535**

(22) Filed: **Feb. 8, 2007**

(51) **LOC (8) Cl.** **23-02**

(52) **U.S. Cl.** **D6/546**

(58) **Field of Classification Search** D6/546-550;
D8/300, 303, 315, 321, 349, 354, 363, 373,
D8/380; 108/28-29; 248/176.1, 251, 302,
248/309.1, 309.2; 16/110.1, 412, 415; 242/570,
242/590, 595-598; 211/13.1, 16, 60.1, 100,
211/86.01, 87.01, 88.01, 88.04, 105.1, 105.2,
211/123, 182, 181.1

See application file for complete search history.

(56) **References Cited**

U.S. PATENT DOCUMENTS

4,907,771 A * 3/1990 Wang 248/251

D360,792 S * 8/1995 Sharpe D6/546
D464,832 S * 10/2002 Moore D6/546
D465,368 S * 11/2002 Moore D6/546
D505,819 S * 6/2005 Hoernig D6/546
D513,459 S * 1/2006 Ferrer Beltran D6/546
D529,741 S * 10/2006 Hoernig D6/546

* cited by examiner

Primary Examiner—Brian N Vinson

(74) *Attorney, Agent, or Firm*—Edgar A. Zarins; Lloyd D. Doigan

(57) **CLAIM**

The ornamental design for a towel ring, as shown and described.

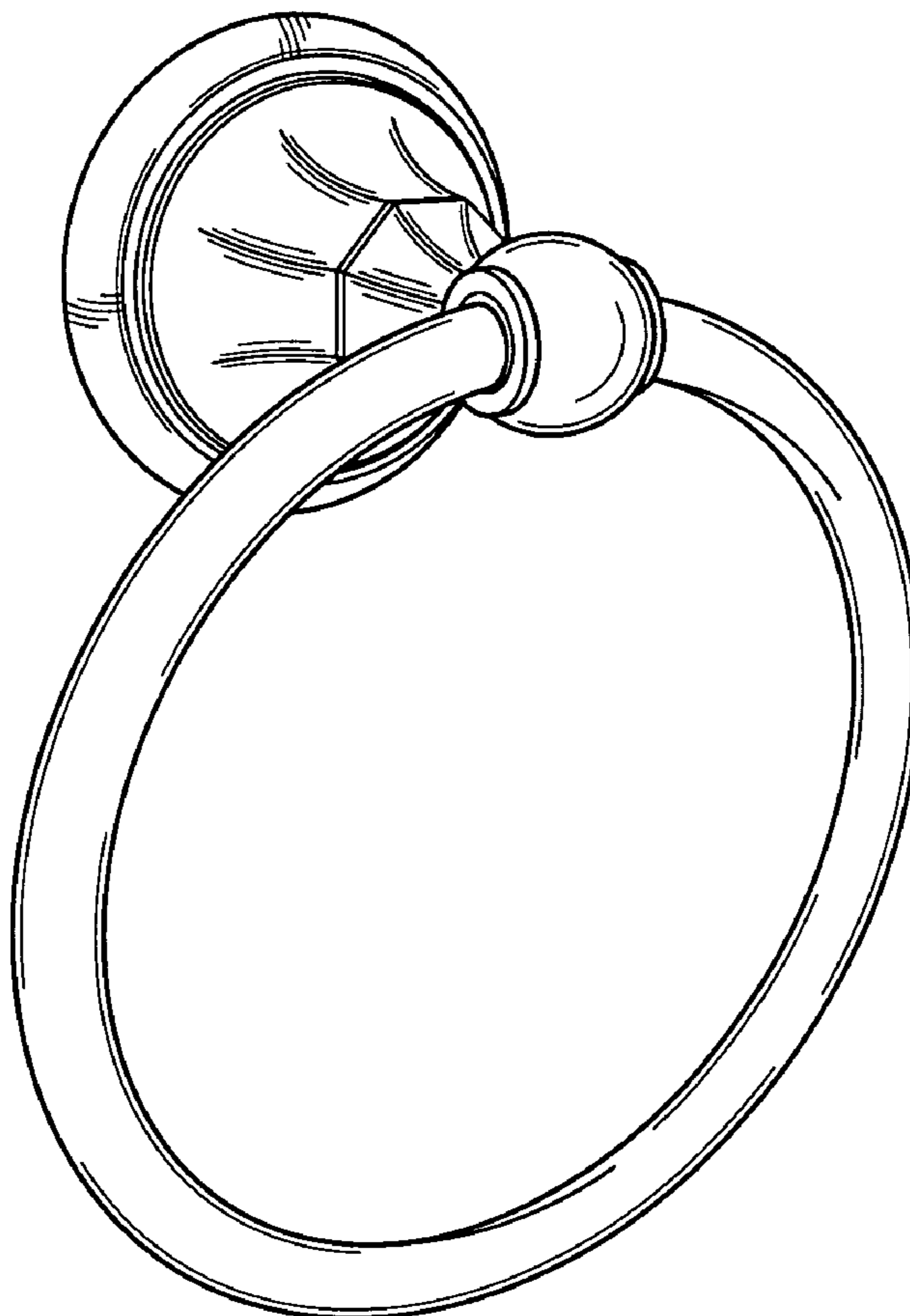
DESCRIPTION

FIG. 1 is a top, front, and left perspective view of a towel ring showing my new design;

FIG. 2 is a right side elevational view thereof, the left side being a mirror image of that shown; and,

FIG. 3 is a front elevational view thereof.

1 Claim, 1 Drawing Sheet



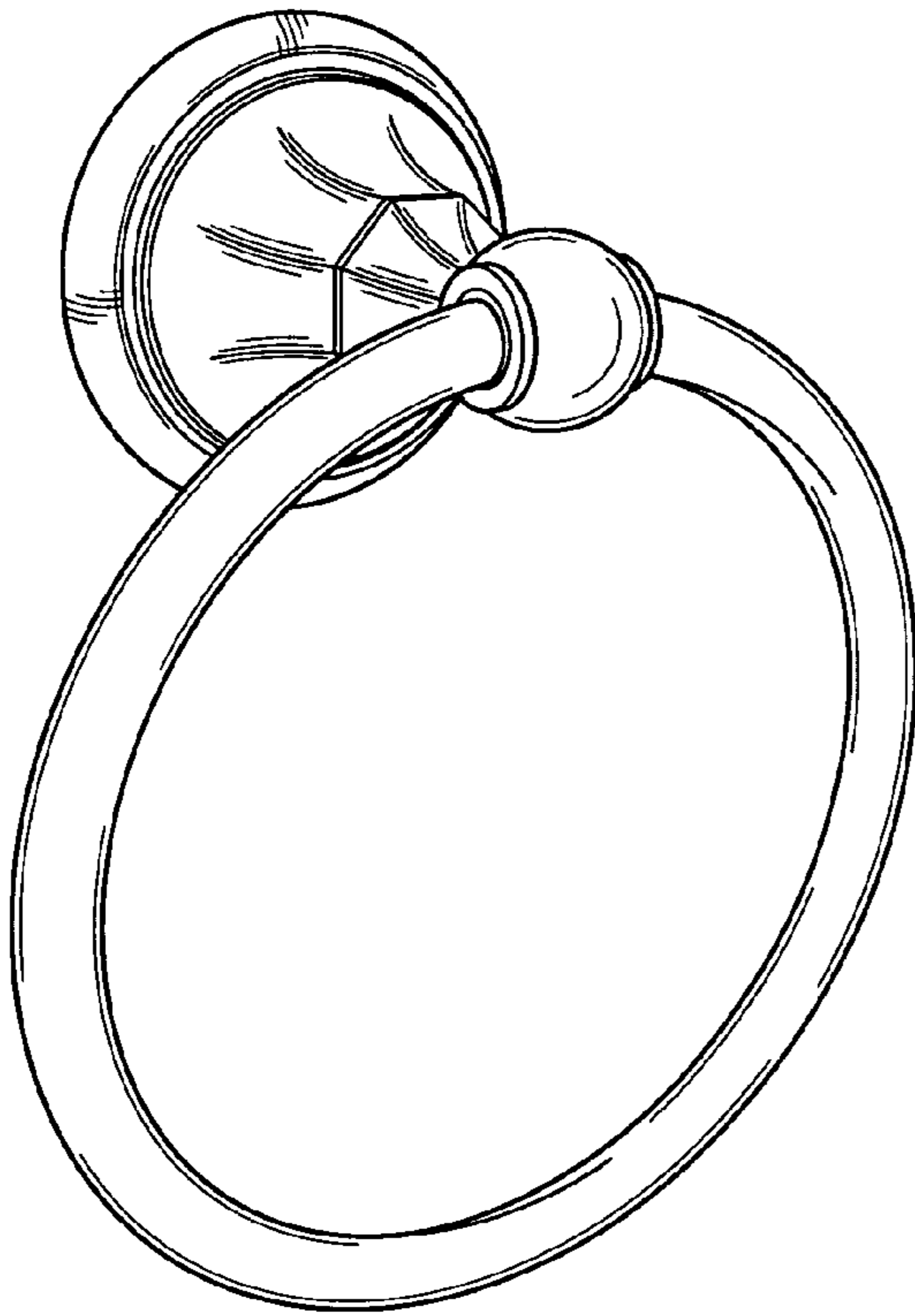


Fig-1

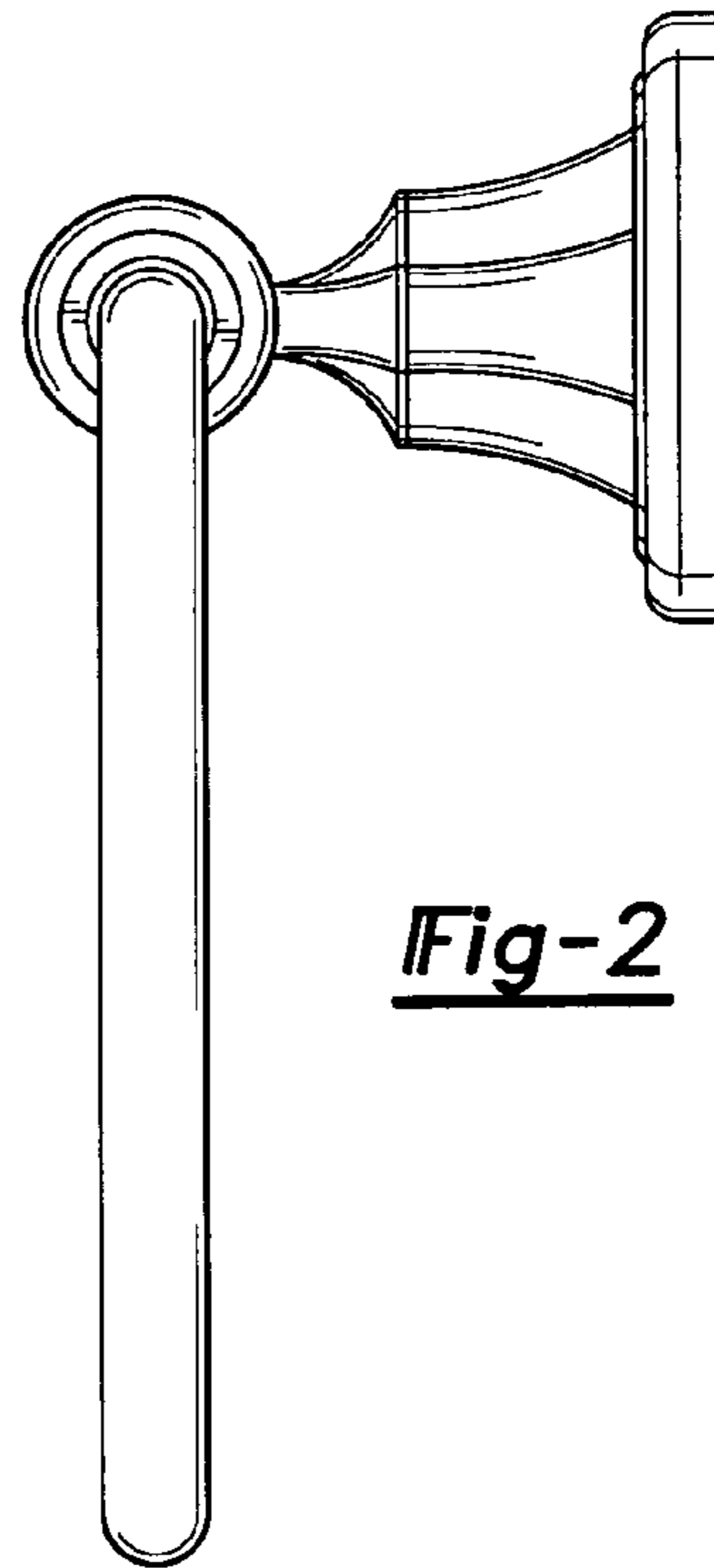


Fig-2

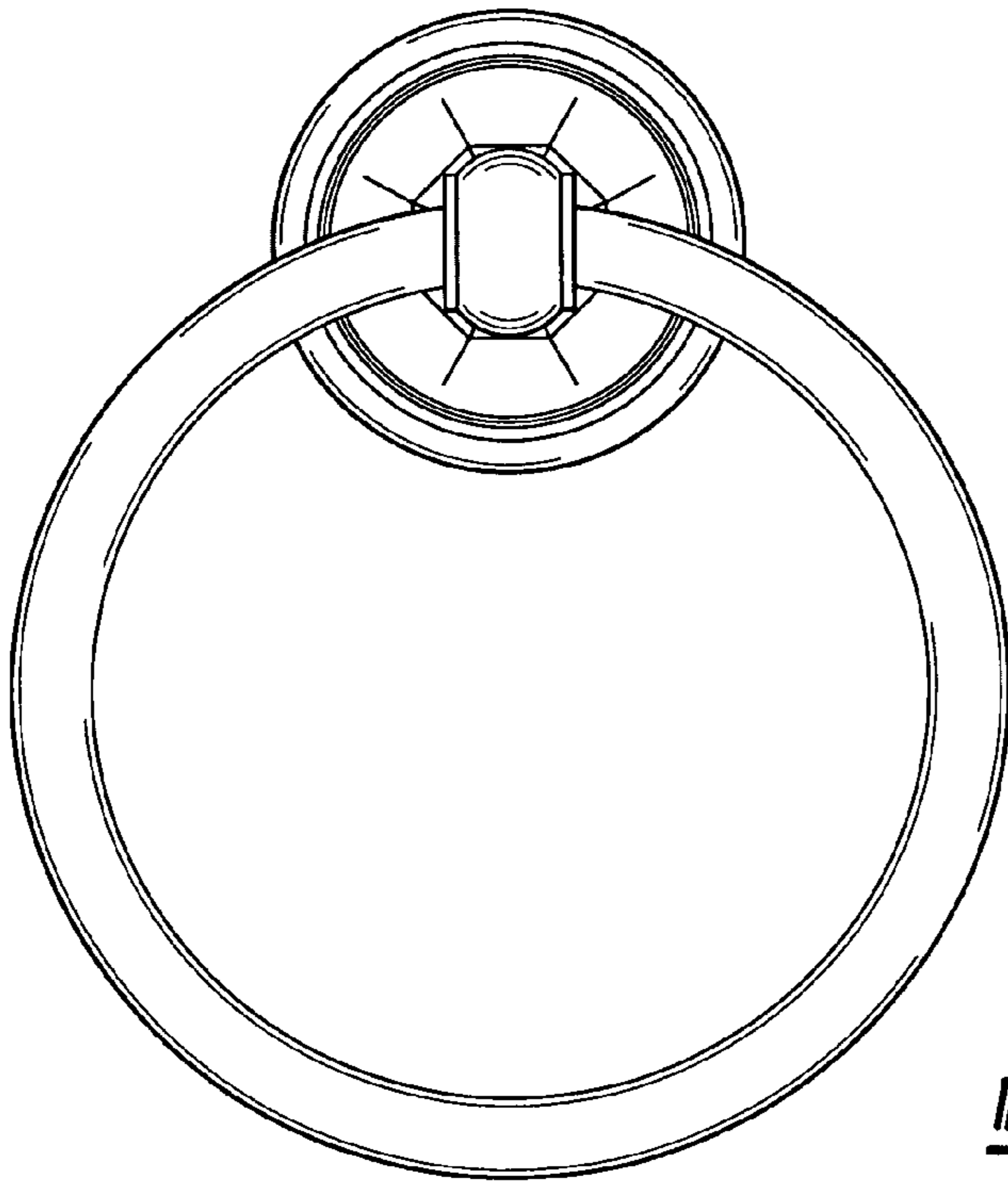


Fig-3