



US00D577937S

(12) **United States Design Patent**
Krumpe

(10) **Patent No.:** **US D577,937 S**

(45) **Date of Patent:** **** Oct. 7, 2008**

(54) **BATH ACCESSORY POST**

(75) Inventor: **Geraint Krumpe**, Chicago, IL (US)

(73) Assignee: **Liberty Hardware Mfg. Corp.**,
Winston-Salem, NC (US)

(**) Term: **14 Years**

(21) Appl. No.: **29/272,534**

(22) Filed: **Feb. 8, 2007**

(51) **LOC (8) Cl.** **23-02**

(52) **U.S. Cl.** **D6/524; D6/550**

(58) **Field of Classification Search** D6/518-524,
D6/548-550; D8/300, 303, 315-321, 349,
D8/354, 363, 373, 380; 242/570, 590, 595-598;
248/176, 176.1, 251, 302, 309.1; 211/13.1,
211/16, 60.1, 100, 86.01, 87.01, 88.01, 88.04,
211/105.1, 105.2, 123, 181.1, 182; 108/28,
108/29

See application file for complete search history.

(56) **References Cited**

U.S. PATENT DOCUMENTS

D378,231 S * 2/1997 Dubin D6/524

D418,346 S * 1/2000 Lee D6/550
D492,524 S * 7/2004 Roberts et al. D6/524
D495,782 S * 9/2004 Lin D6/524
D508,554 S * 8/2005 Kennard D6/524
D514,666 S * 2/2006 Kennard D6/524
D551,325 S * 9/2007 Kennard D6/524

* cited by examiner

Primary Examiner—Brian N Vinson

(74) *Attorney, Agent, or Firm*—Edgar A. Zarins; Lloyd D. Doigan

(57) **CLAIM**

The ornamental design for a bath accessory post, as shown and described.

DESCRIPTION

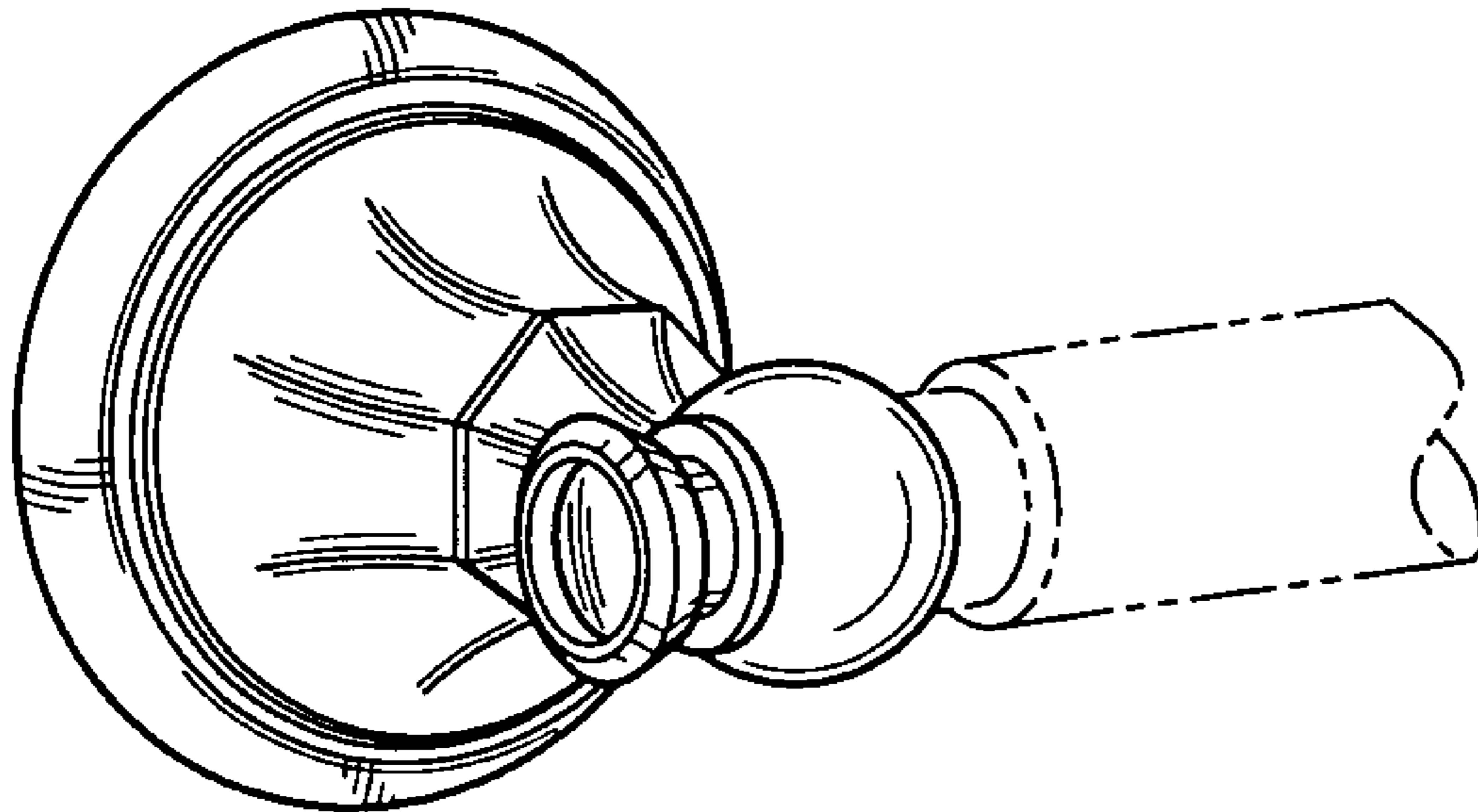
FIG. 1 is a perspective view of a bath accessory post showing my new design;

FIG. 2 is a front elevational view thereof; and,

FIG. 3 is a left side view thereof.

The broken-line disclosure in the views is for illustrative purposes only and forms no part of the claimed design.

1 Claim, 1 Drawing Sheet



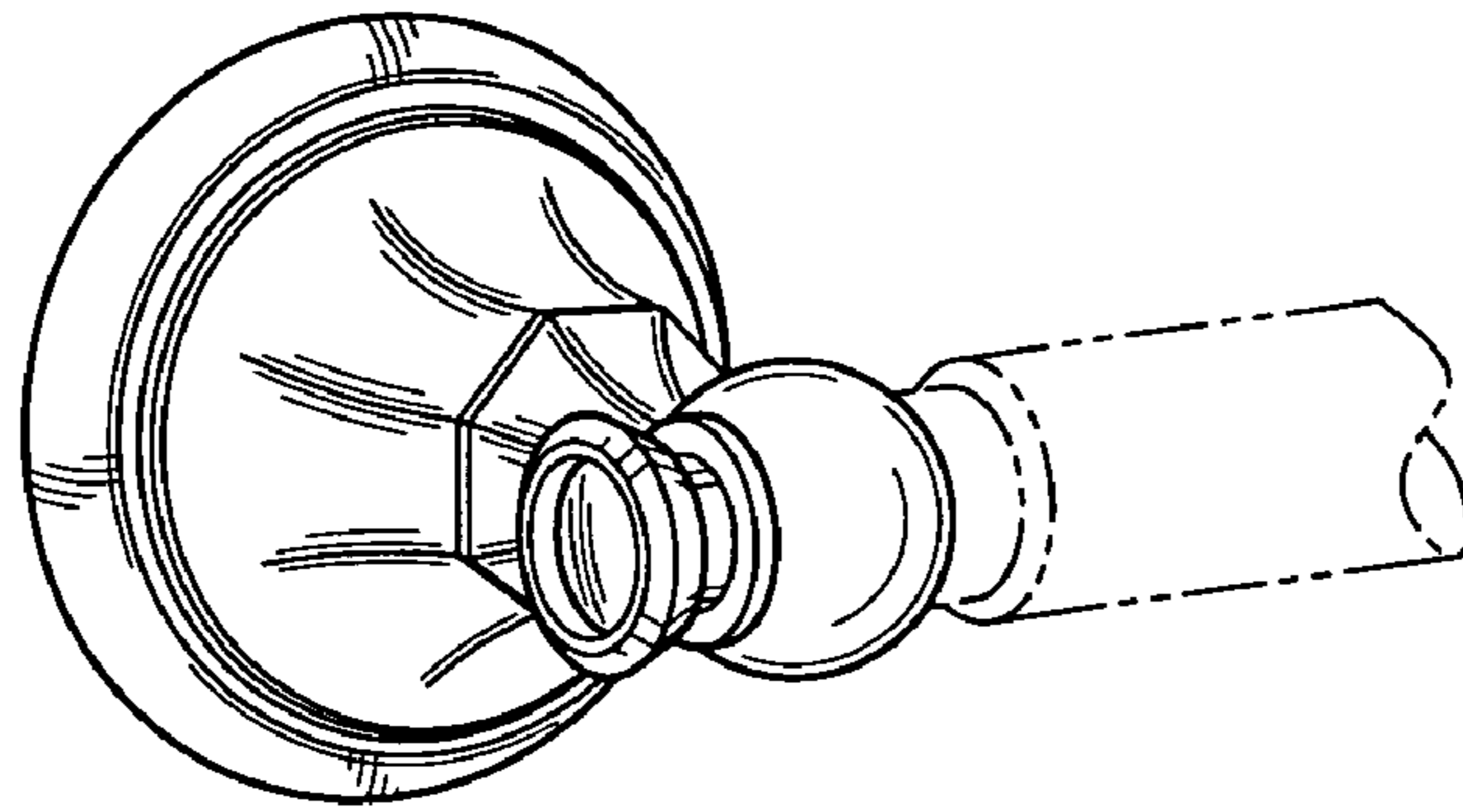


Fig-1

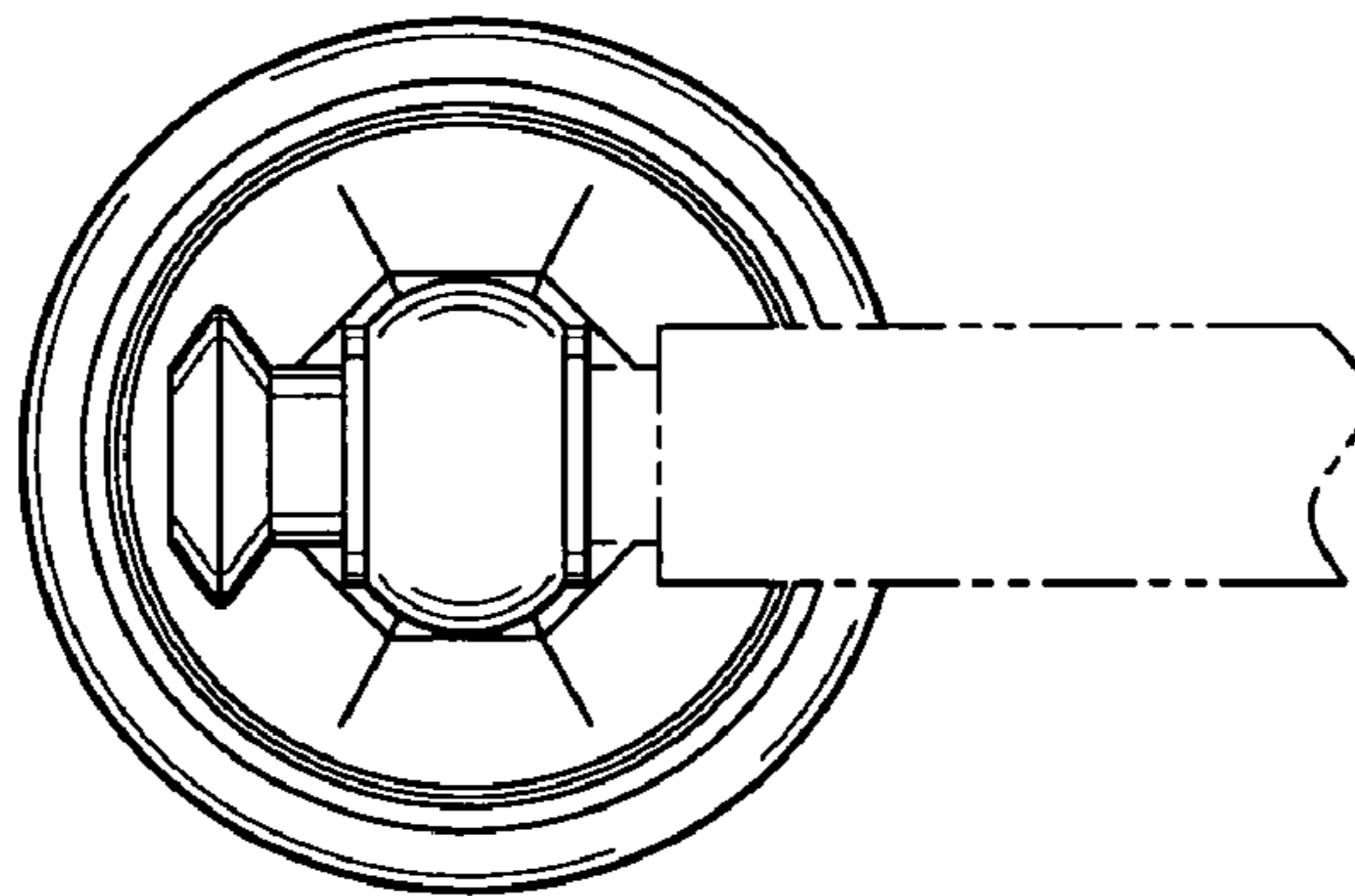


Fig-2

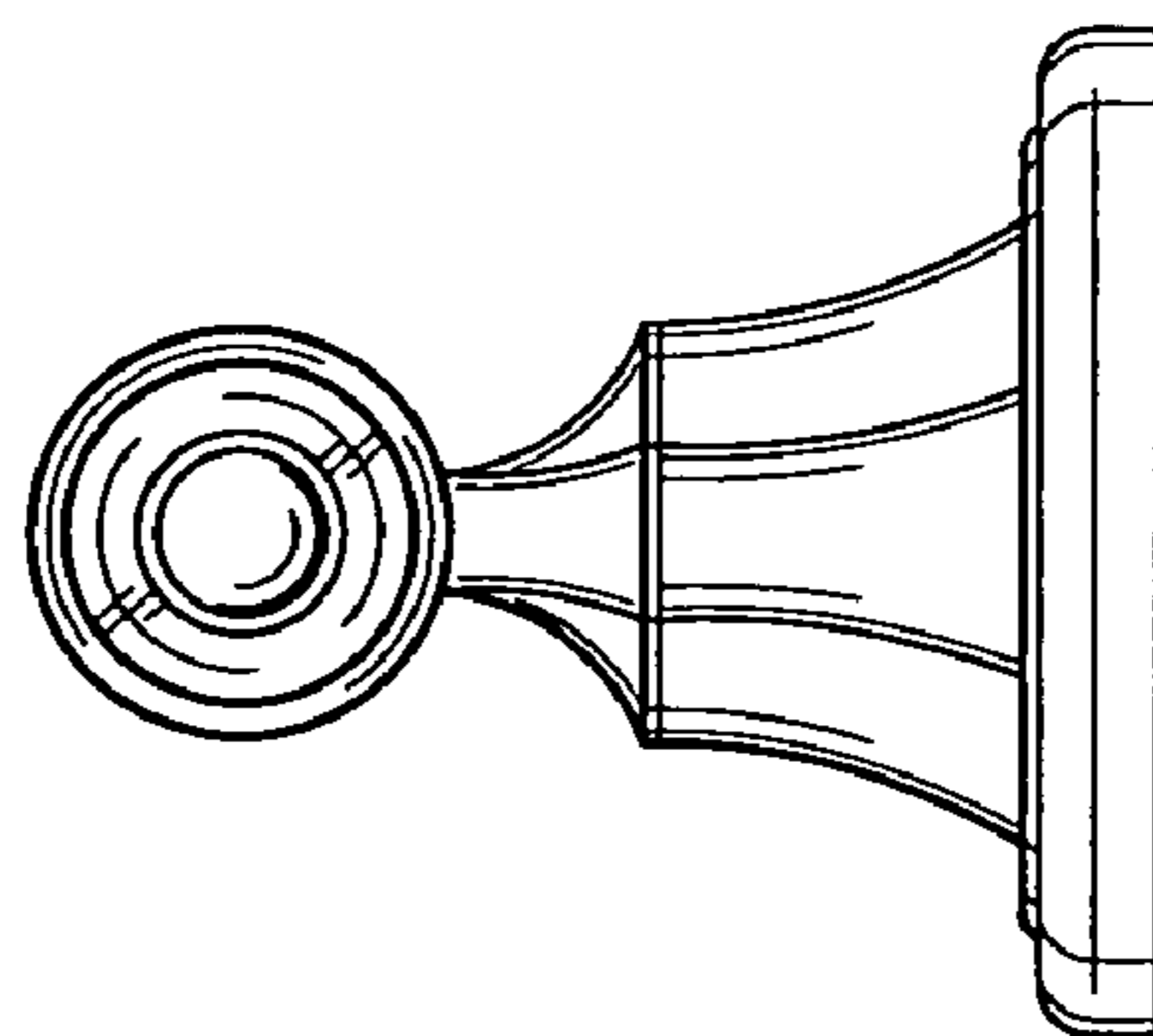


Fig-3