



US00D577934S

(12) **United States Design Patent**  
**Raftery et al.**

(10) **Patent No.:** **US D577,934 S**  
(45) **Date of Patent:** **\*\* Oct. 7, 2008**

(54) **CHAIR BACKREST**

(75) Inventors: **William Raftery**, Canton, OH (US);  
**John Heyder**, Orleans, IN (US)

(73) Assignee: **HNI Technologies Inc.**, Muscatine, IA  
(US)

(\*\*) Term: **14 Years**

(21) Appl. No.: **29/240,579**

(22) Filed: **Oct. 14, 2005**

(51) **LOC (8) Cl.** ..... **06-01**

(52) **U.S. Cl.** ..... **D6/502**

(58) **Field of Classification Search** ..... D6/334-335,  
D6/501-502, 365-368, 374, 379-380; 297/284.4,  
297/452.29, 452.3, 452.26, 452.64, 452.63,  
297/446.1, 452.46

See application file for complete search history.

(56) **References Cited**

**U.S. PATENT DOCUMENTS**

D276,881 S *	12/1984	Astle	.....	D8/61
D349,195 S	8/1994	Hess		
D356,696 S	3/1995	Arthur, Jr.		
D359,174 S	6/1995	Arthur, Jr.		
D366,793 S	2/1996	Barile		
D369,686 S	5/1996	Martin		
D408,644 S	4/1999	Muller		
D413,739 S	9/1999	Wilson		
D436,750 S	1/2001	Tseng		
D454,736 S	3/2002	Swy et al.		
6,354,662 B1 *	3/2002	Su	.....	297/284.7
D466,320 S	12/2002	Tobin, Jr.		
D479,416 S	9/2003	Raftery		
D483,583 S	12/2003	Raftery		
D485,097 S	1/2004	Raftery		
6,722,741 B2 *	4/2004	Stumpf et al.	.....	297/452.3
6,729,691 B2 *	5/2004	Koepke et al.	.....	297/452.56

6,843,530 B1 *	1/2005	Wu	.....	297/284.4
6,848,744 B1	2/2005	Raftery et al.		
D506,894 S *	7/2005	Harley	.....	D6/502
D534,384 S *	1/2007	Su	.....	D6/502

**FOREIGN PATENT DOCUMENTS**

JP	D1133773	2/2002
KR	3020050009076	3/2005
KR	3020050025470	5/2006
TW	0453686	9/2001
TW	D105183	6/2005
TW	D110925	5/2006
TW	D114033	12/2006

**OTHER PUBLICATIONS**

Three images of the "Seven Five" chair by Paoli, Inc.

\* cited by examiner

*Primary Examiner*—Caron D. Veynar

*Assistant Examiner*—Abraham Bahta

(74) *Attorney, Agent, or Firm*—Faegre & Benson, LLP

(57) **CLAIM**

The ornamental design for a chair backrest, as shown and described.

**DESCRIPTION**

FIG. 1 is a perspective view of a chair backrest showing our new design;

FIG. 2 is a front orthographic view thereof;

FIG. 3 is a rear orthographic view thereof;

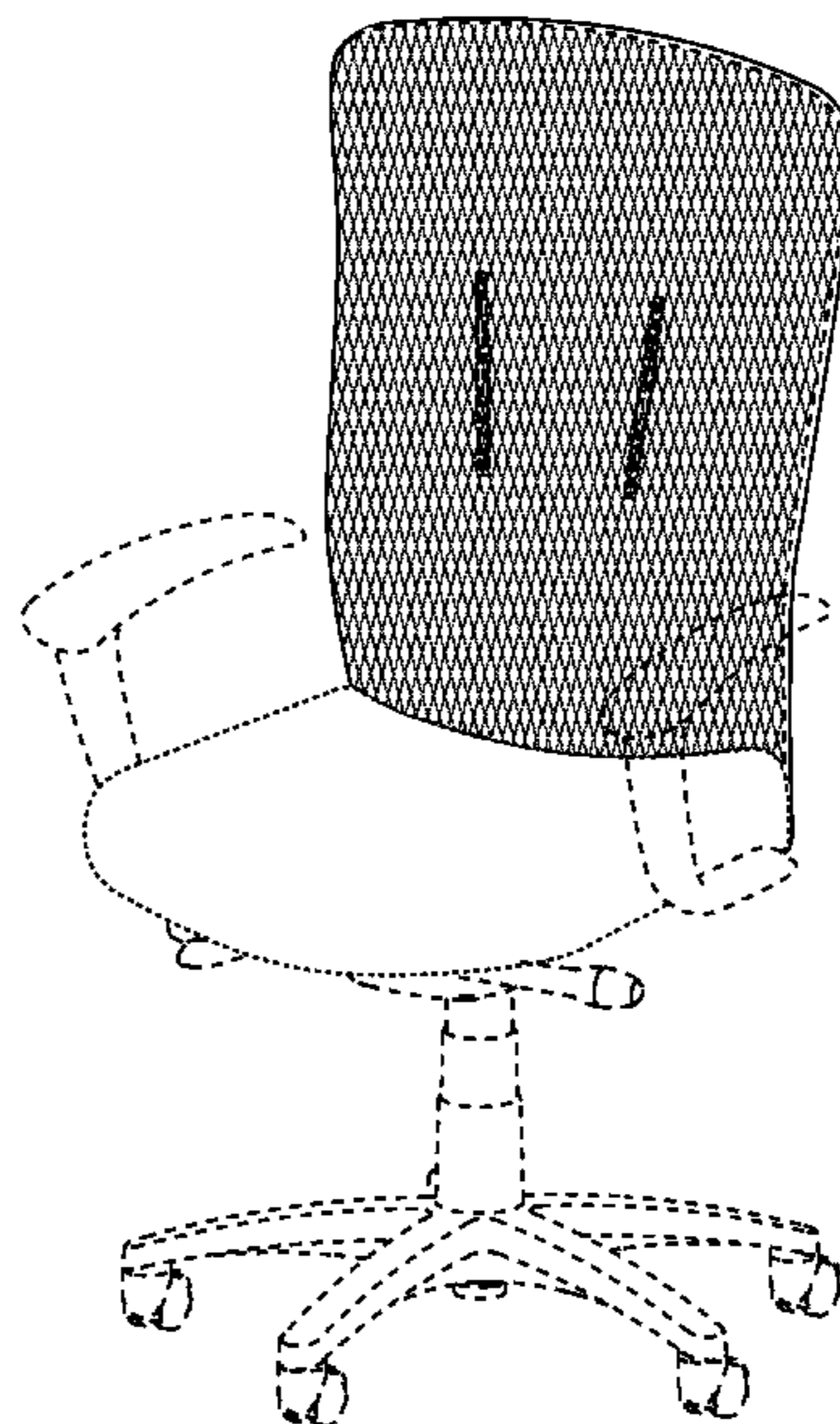
FIG. 4 is a right side orthographic view thereof;

FIG. 5 is a left side orthographic view thereof;

FIG. 6 is a top orthographic view thereof; and,

FIG. 7 is a bottom orthographic view thereof.

**1 Claim, 6 Drawing Sheets**



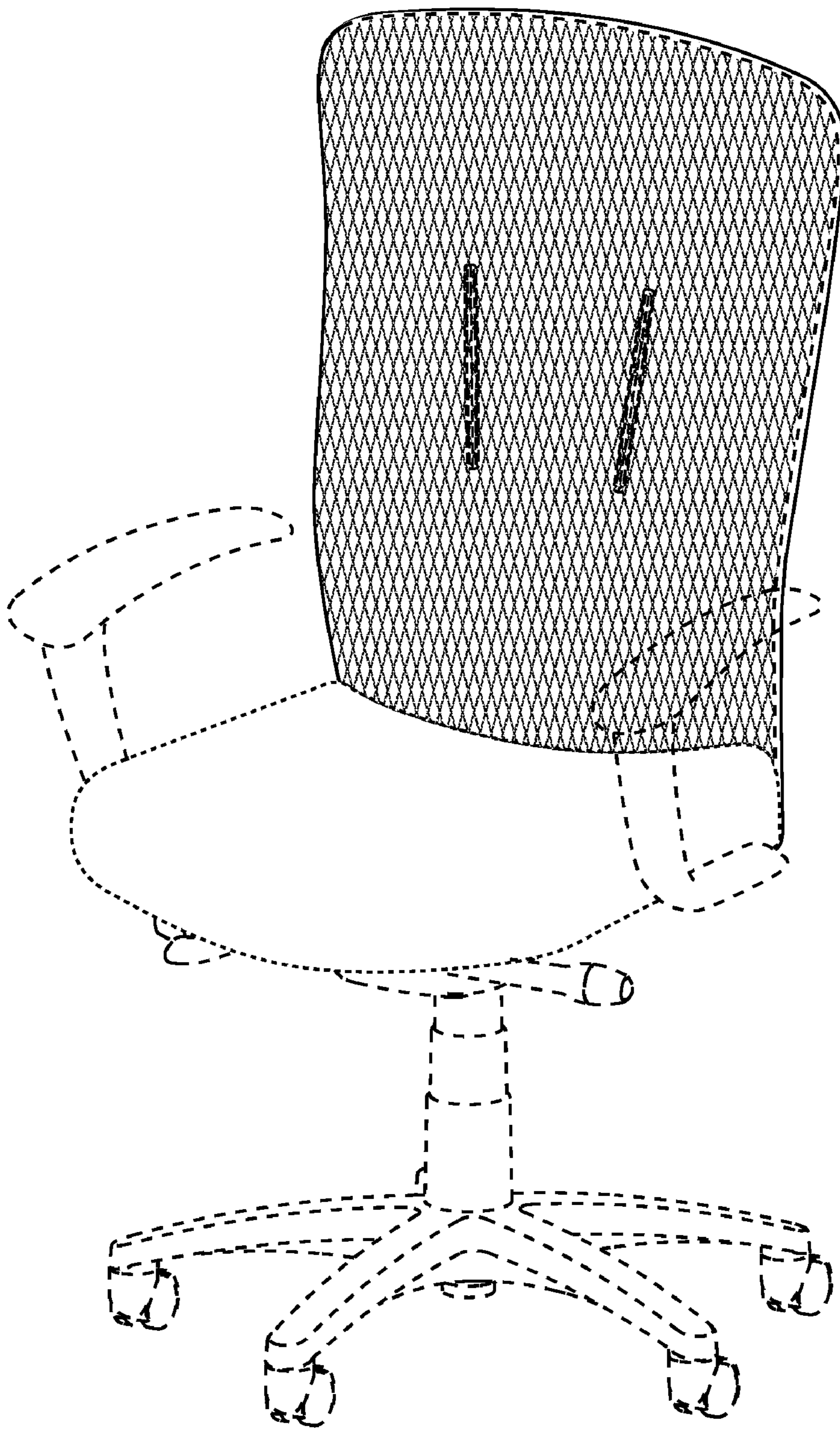


FIG. 1

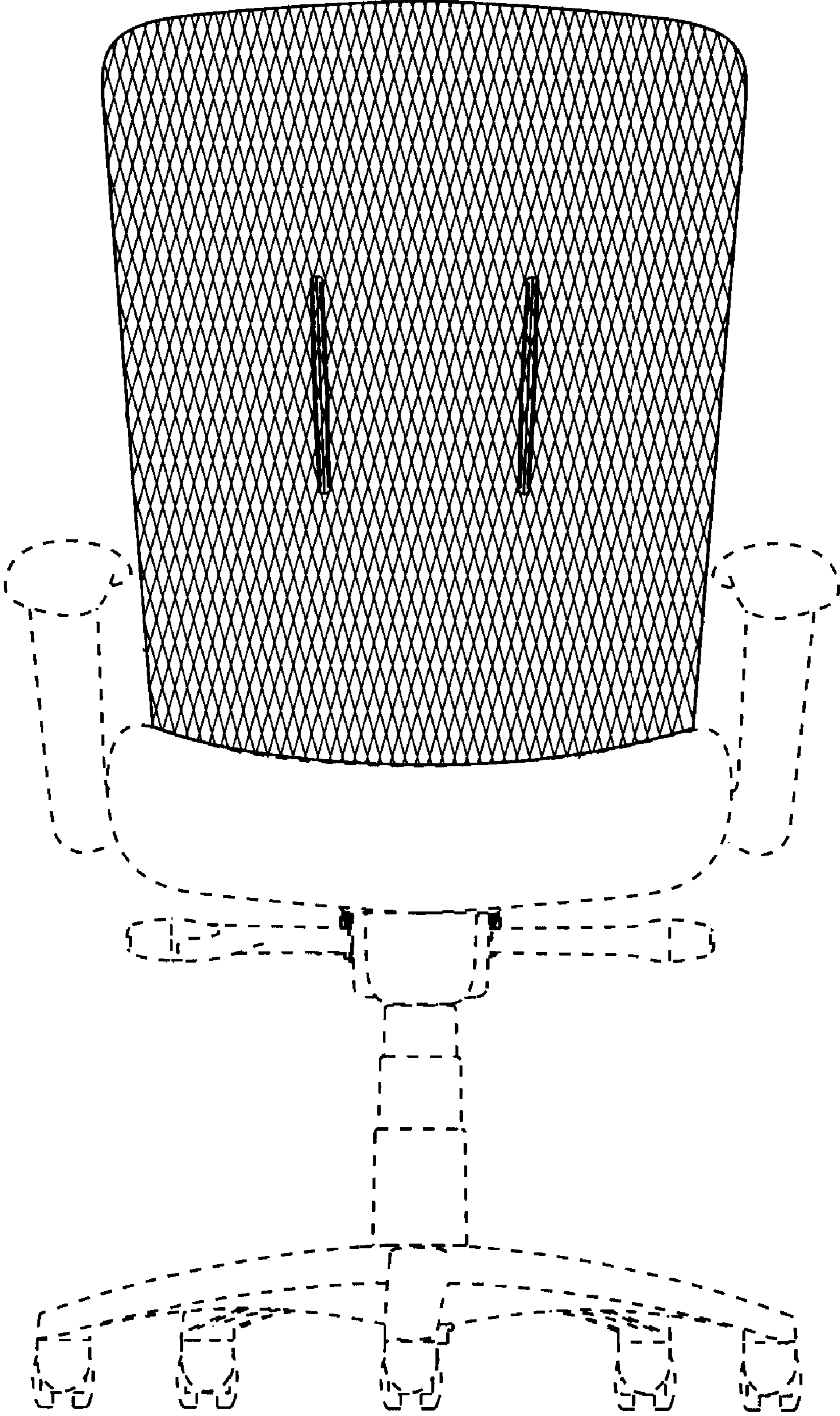


FIG. 2

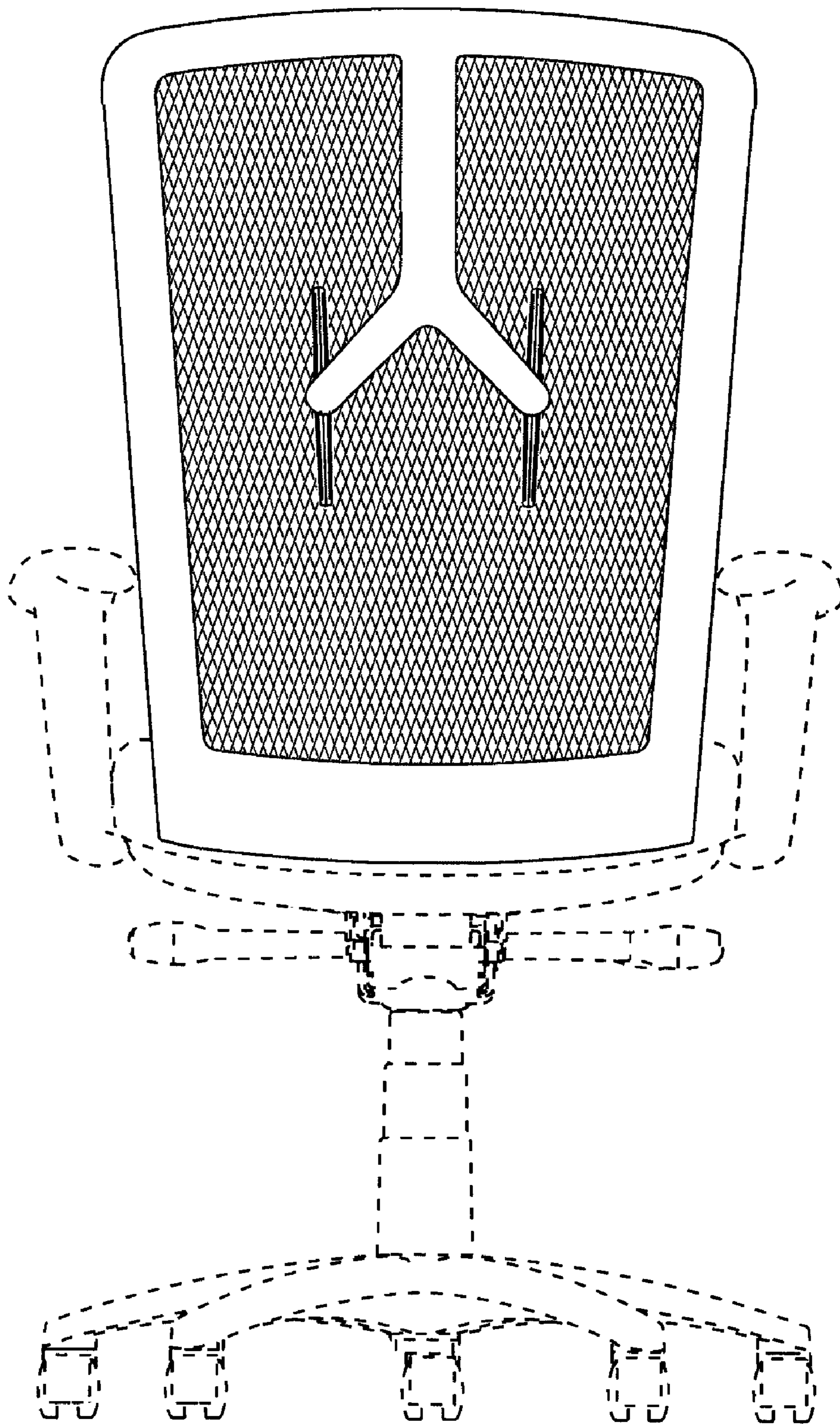


FIG. 3

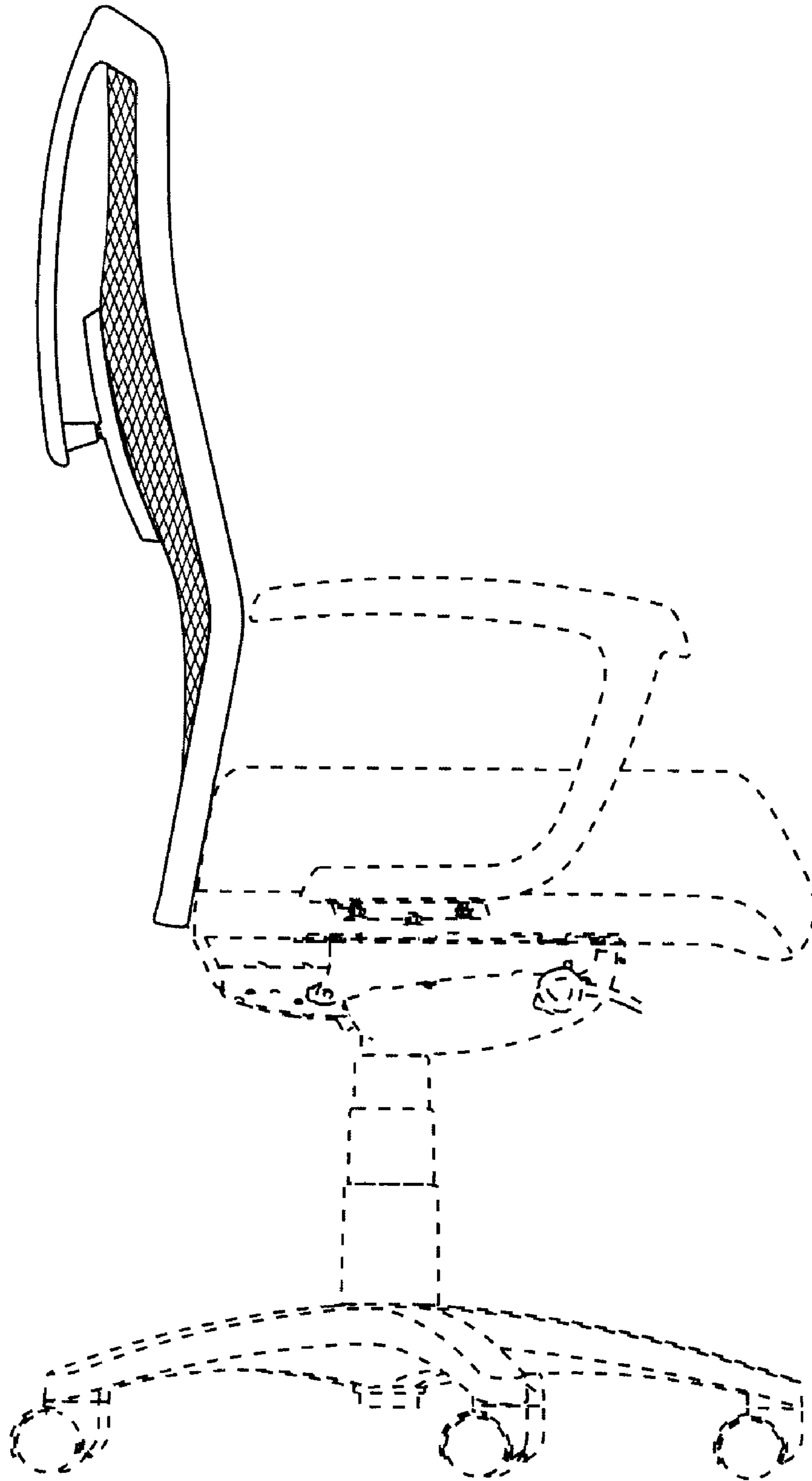


FIG. 4

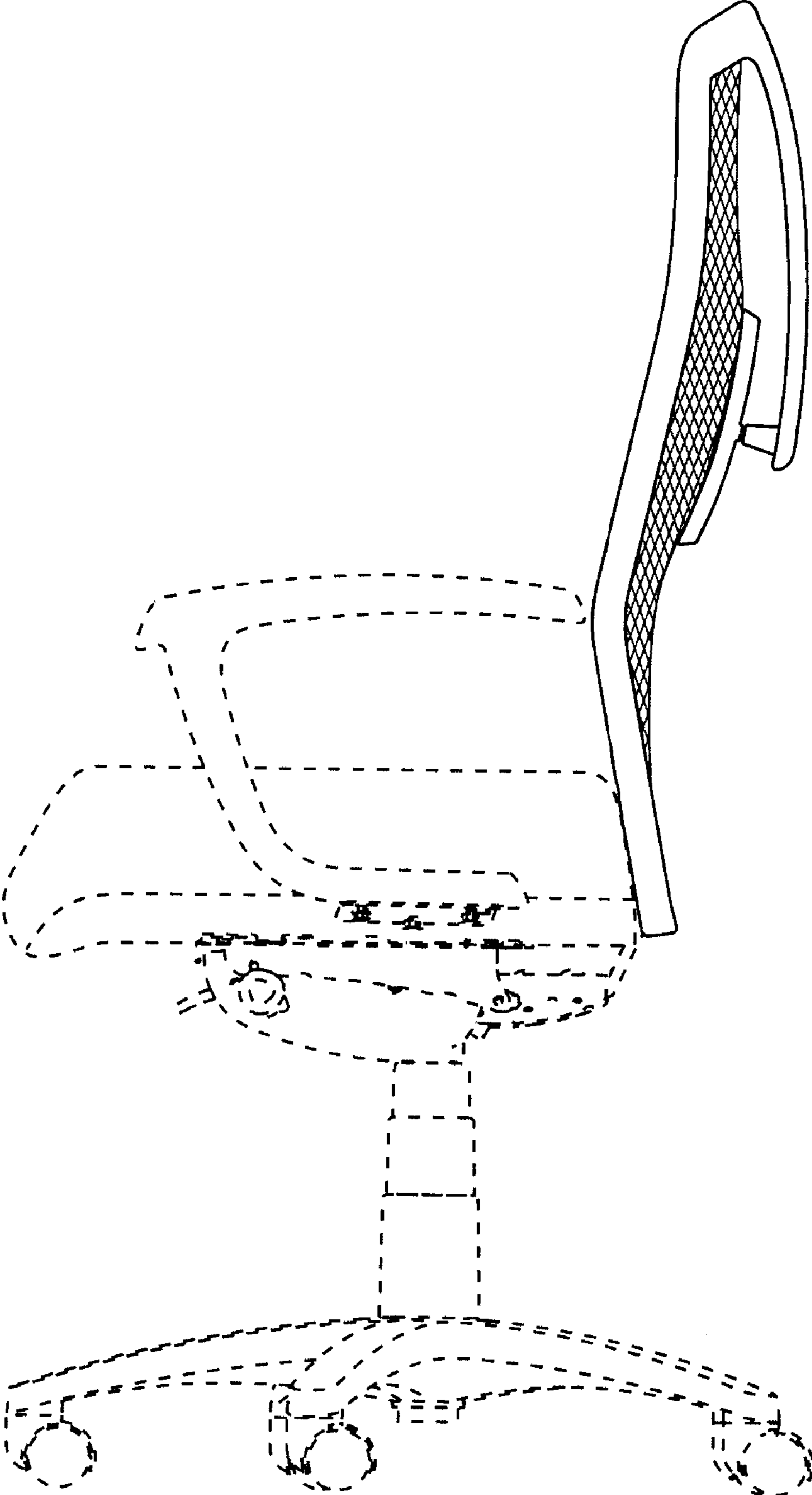


FIG. 5

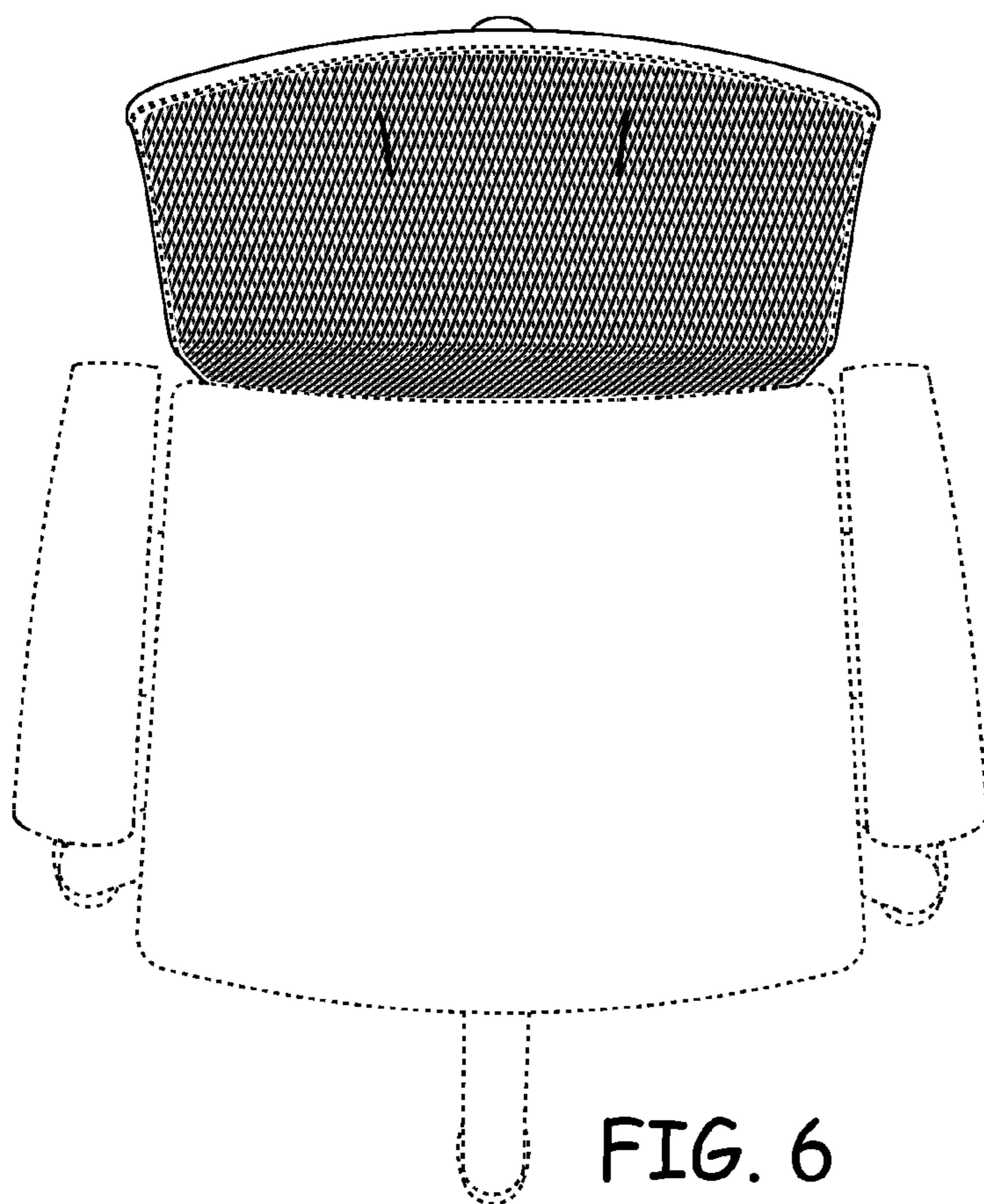


FIG. 6

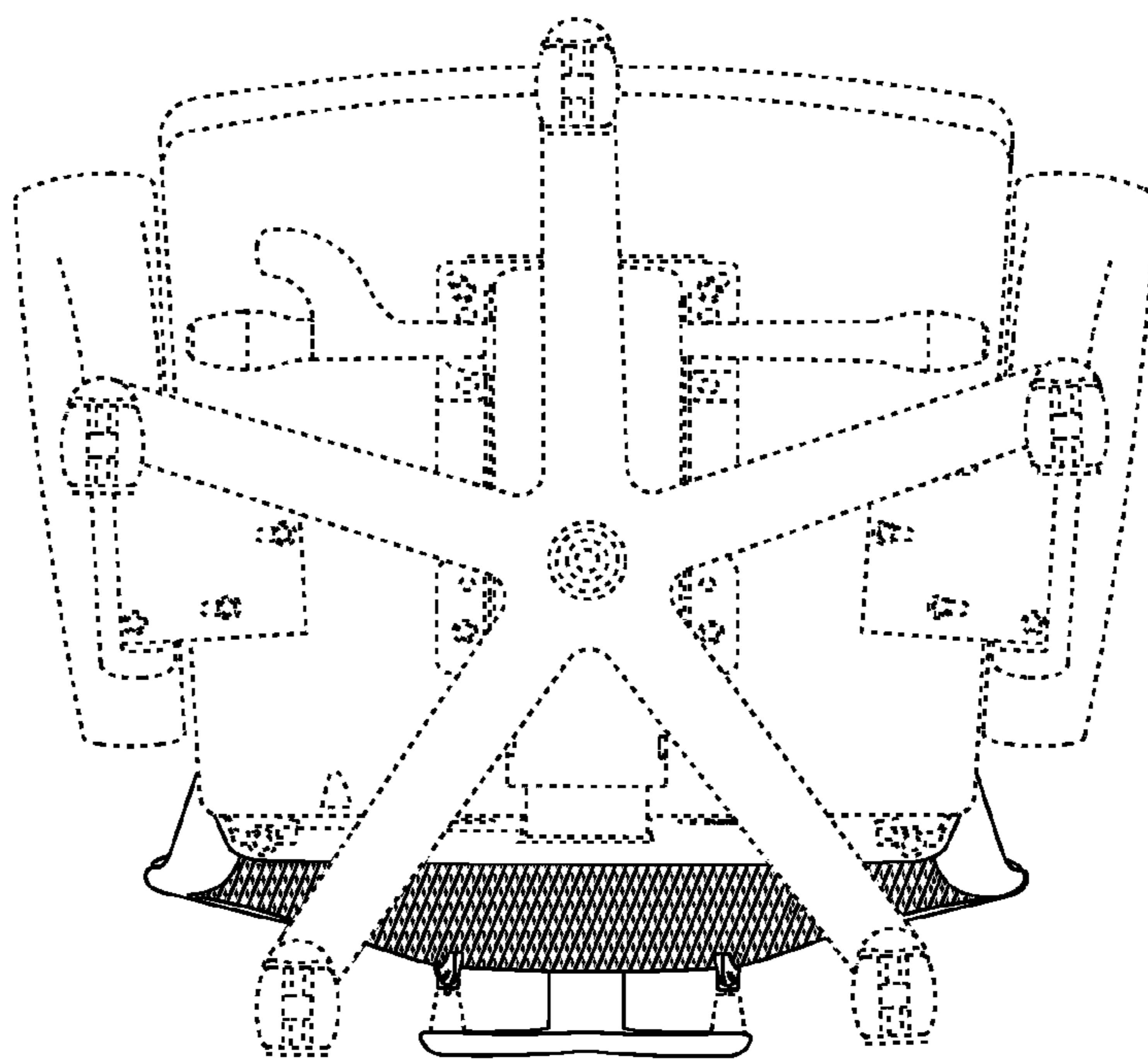


FIG. 7