



US00D577933S

(12) **United States Design Patent**
Haaksma

(10) **Patent No.:** **US D577,933 S**
(45) **Date of Patent:** **** Oct. 7, 2008**

(54) **CHAIR**

(75) Inventor: **Ernst Haaksma**, Den Haag (NL)

(73) Assignee: **Back Quality USA** (NL)

(**) Term: **14 Years**

(21) Appl. No.: **29/298,187**

(22) Filed: **Nov. 30, 2007**

(51) **LOC (8) Cl.** **06-01**

(52) **U.S. Cl.** **D6/500; D6/366**

(58) **Field of Classification Search** D6/334-336,
D6/340, 349, 451, 354, 355, 360, 364, 366,
D6/367, 374, 500-502; 297/156, 195.1,
297/195.11, 202, 219.11, 214, 338; 482/57;
D21/663, 664

See application file for complete search history.

(56) **References Cited**

U.S. PATENT DOCUMENTS

- D283,858 S * 5/1986 Opsvik D6/366
- D289,708 S * 5/1987 Rykken D6/367
- 5,988,739 A * 11/1999 Dodge et al. 297/195.1
- 6,019,423 A * 2/2000 Dodge et al. 297/195.1
- D446,032 S * 8/2001 Arcieri D6/354
- 6,834,916 B2 * 12/2004 Volkman et al. 297/338

OTHER PUBLICATIONS

U.S. Appl. No. 29/298,185, filed Nov. 30, 2007; Inventor: Ernst Haaksma.

U.S. Appl. No. 29/298,190, filed Nov. 30, 2007; Inventor: Ernst Haaksma.

Dynamic Scan of brochure showing prior art chair manufactured by Back Quality USA, Assignee of the current application. Chair shown is current design by Applicant.

* cited by examiner

Primary Examiner—Mimosa De

(74) *Attorney, Agent, or Firm*—Margaret Polson; Patent Law Offices of Rick Martin, P.C.

(57) **CLAIM**

The ornamental design for a chair, as shown and described.

DESCRIPTION

FIG. 1 is a front elevation view of front side of my new design for a chair the base shown in dotted lines which is environmental structure only and is not part of the claimed design.

FIG. 2 is a back side elevation view of of FIG. 1.

FIG. 3 is a right side elevation view of FIG. 1.

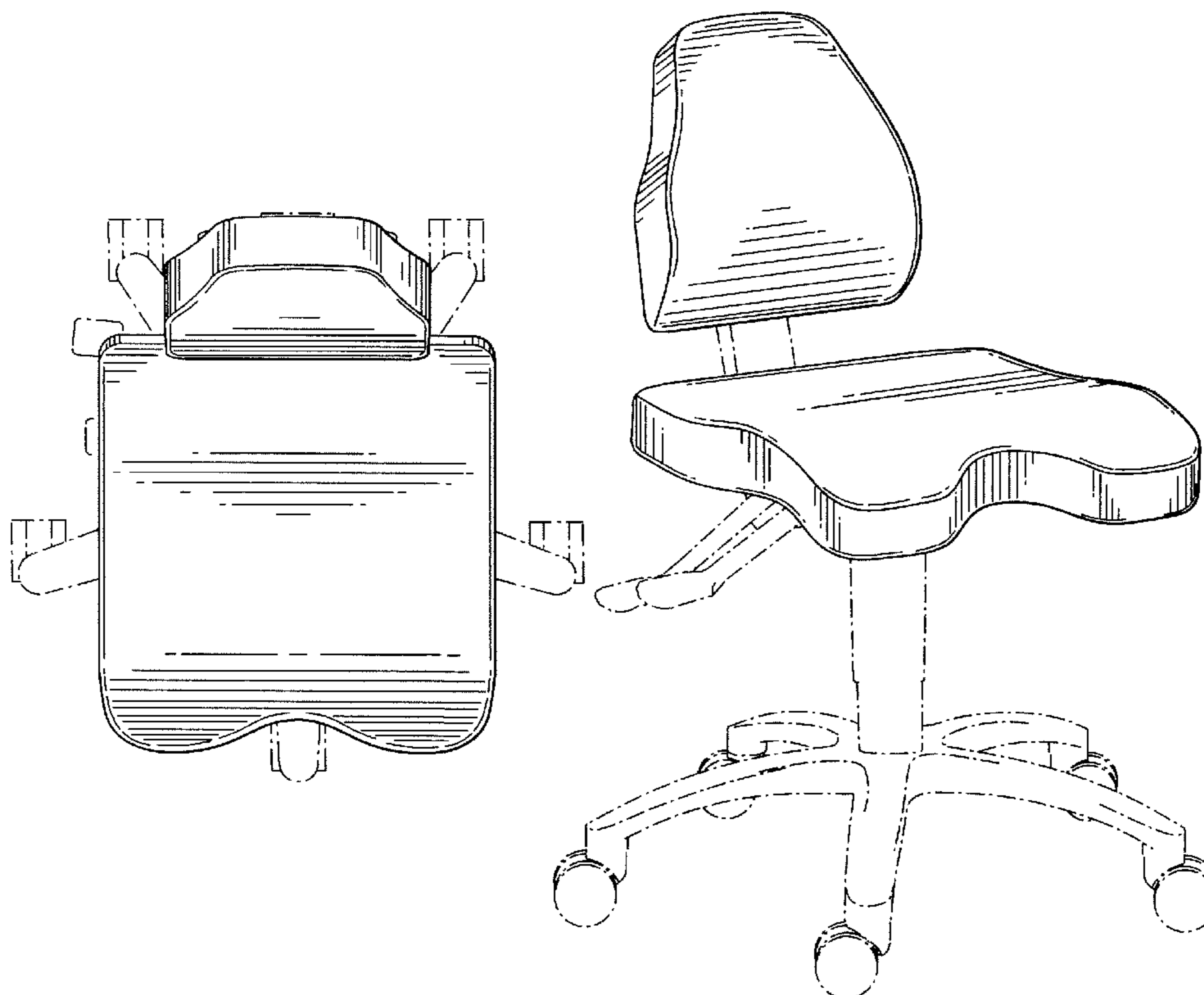
FIG. 4 is a left side elevation view of FIG. 1.

FIG. 5 is a top plan view of FIG. 1.

FIG. 6 is a bottom plan view of FIG. 1; and,

FIG. 7 is a front perspective view of FIG. 1.

1 Claim, 4 Drawing Sheets



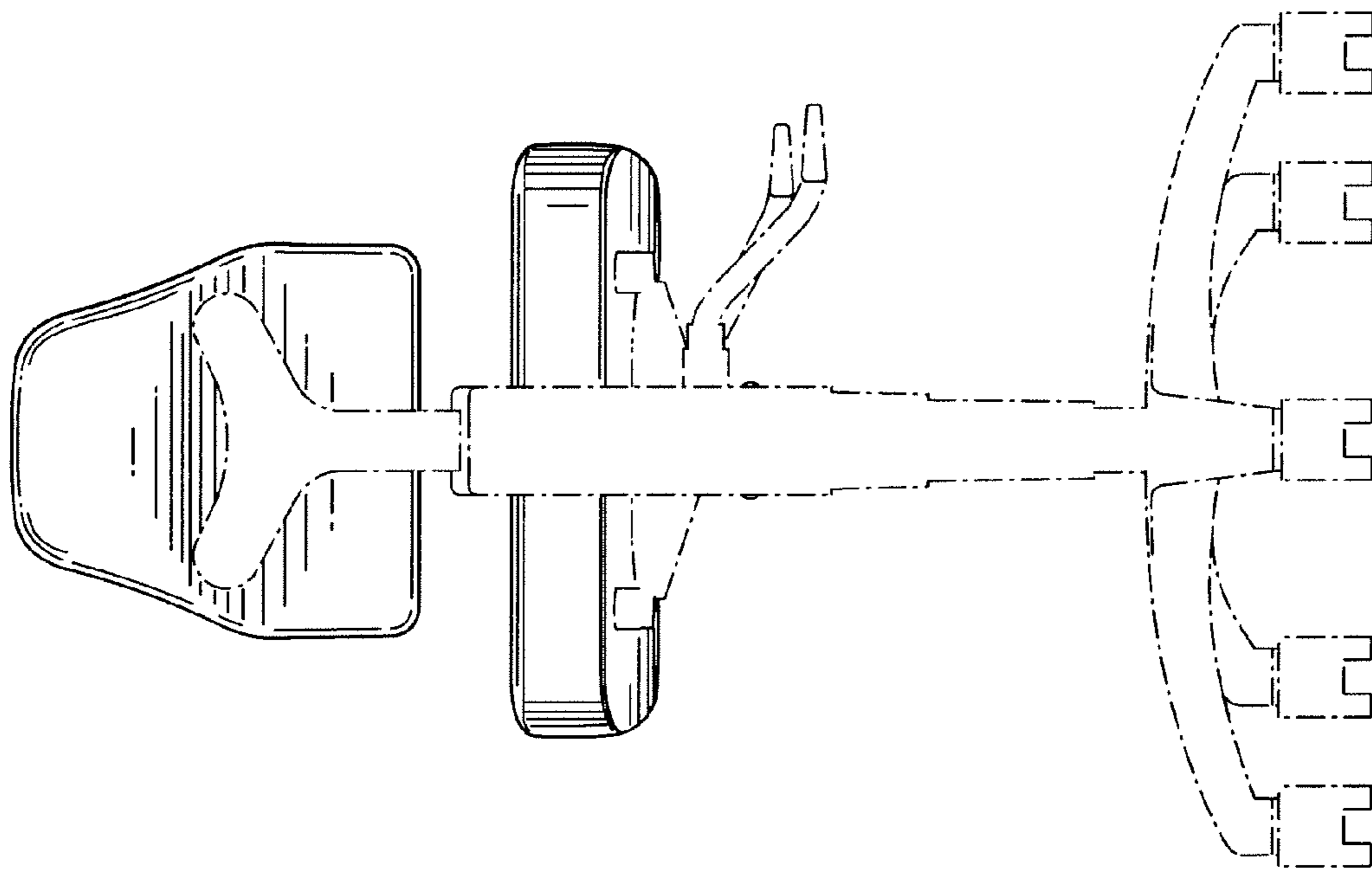


FIG. 1

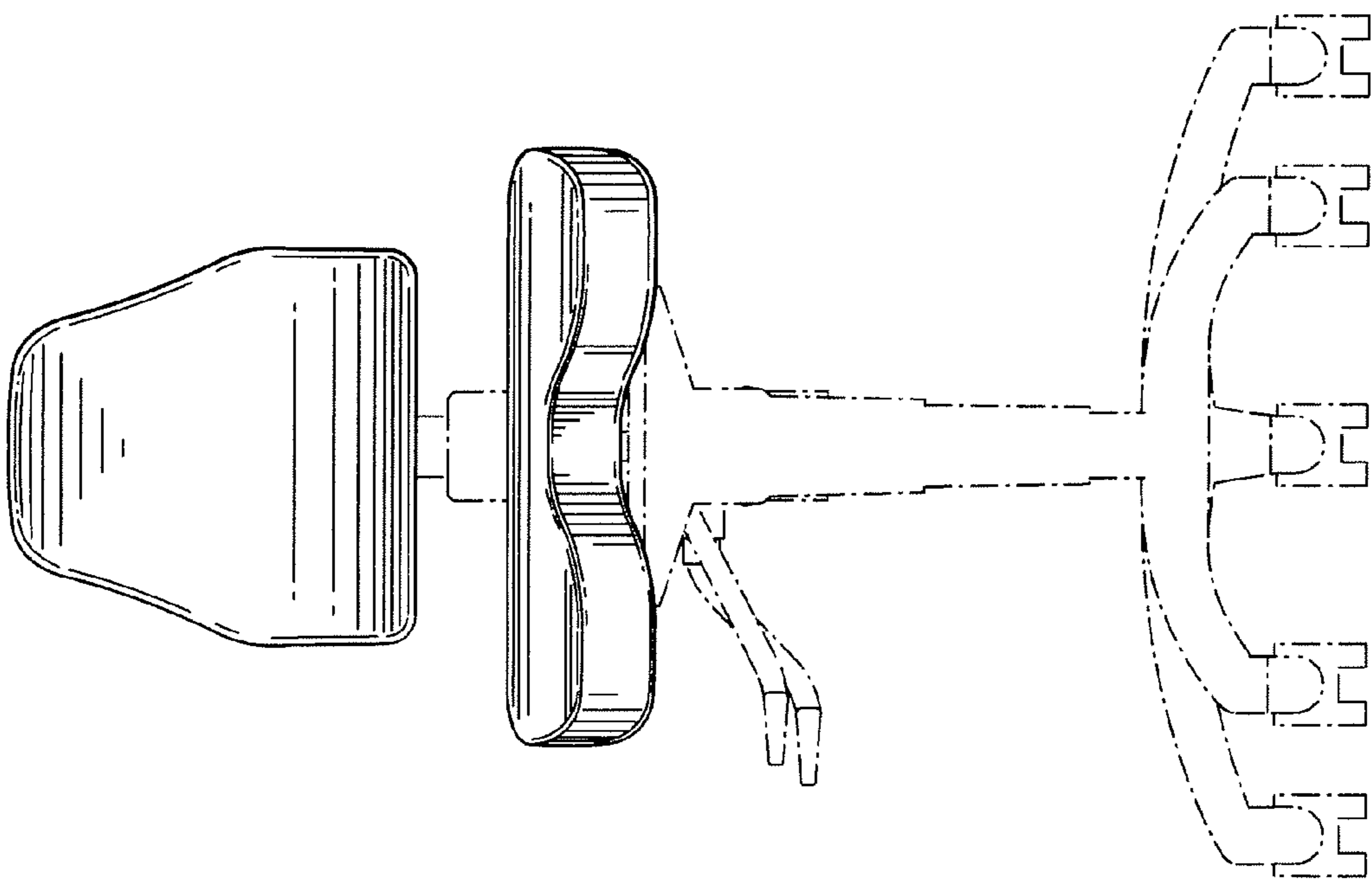


FIG. 2

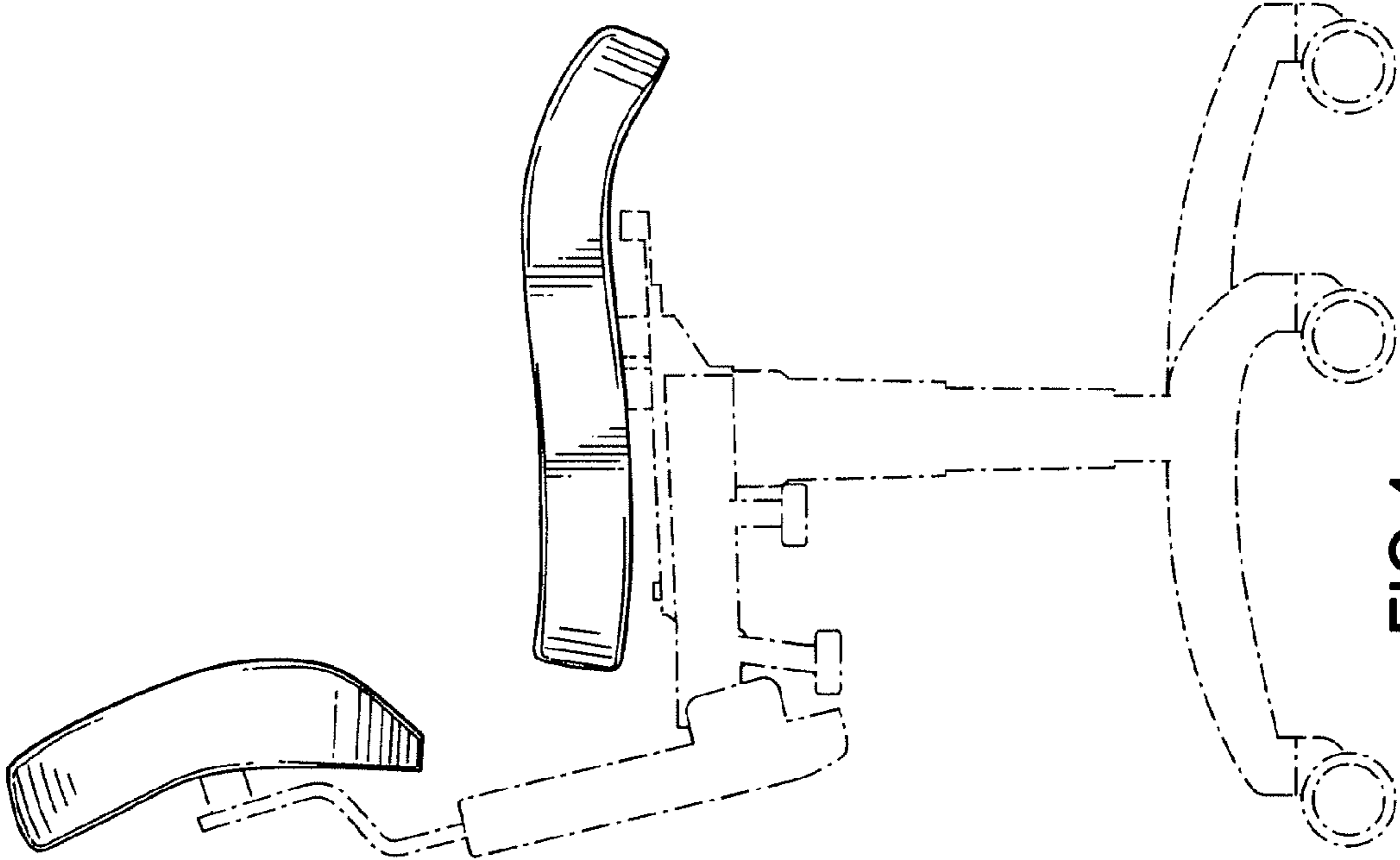


FIG.4

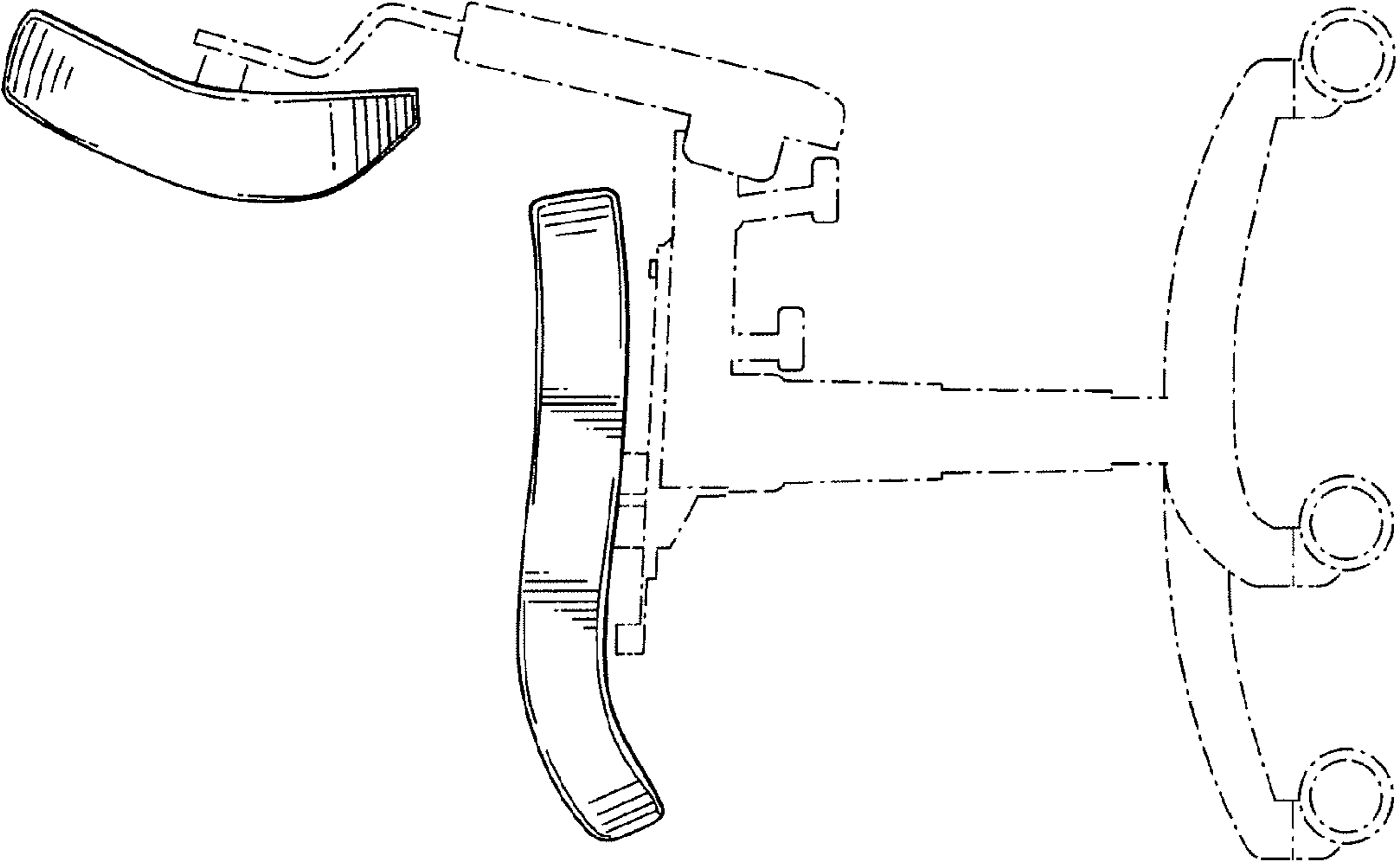


FIG.3

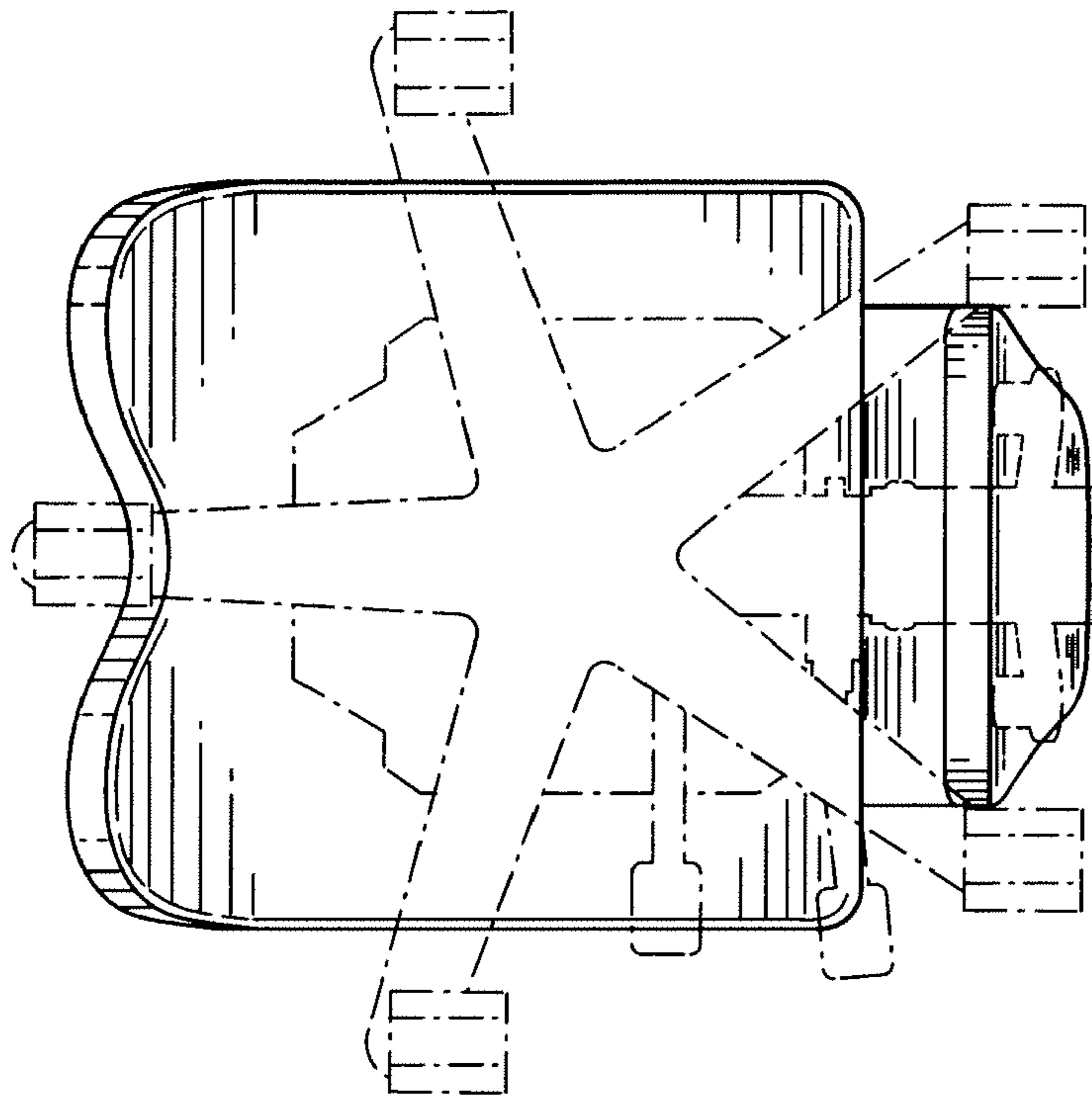


FIG.5

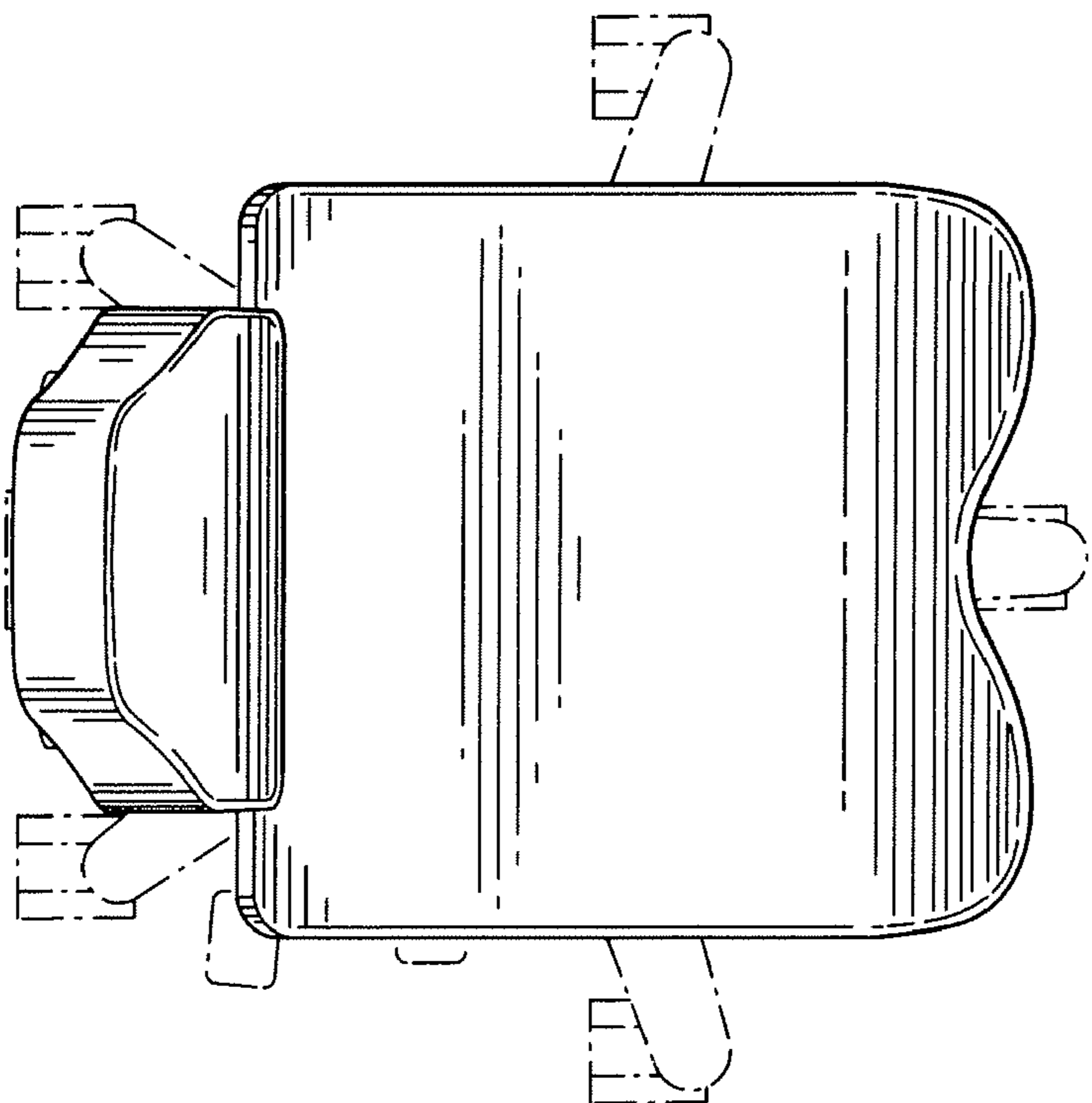


FIG.6

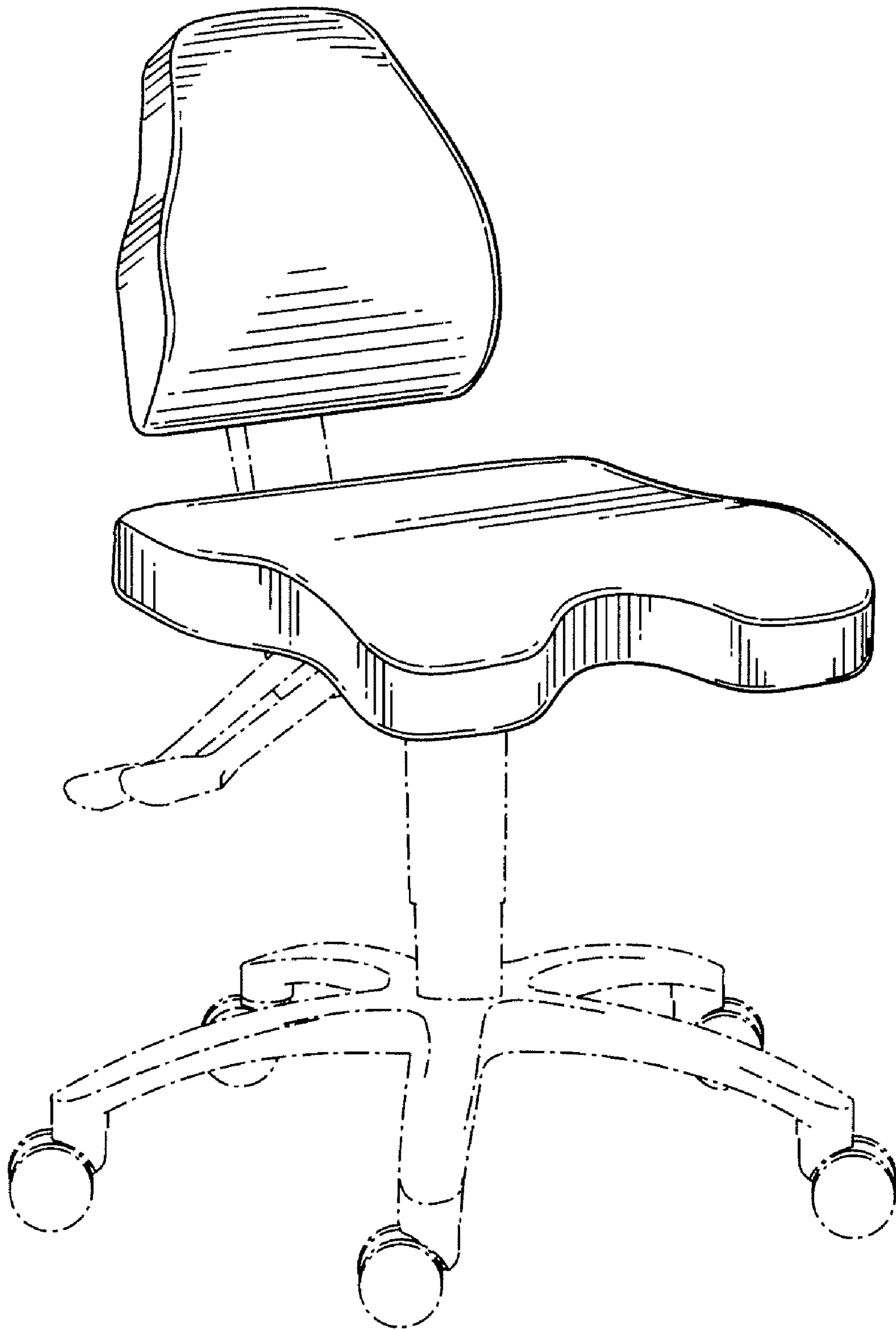


FIG. 7