



US00D577932S

(12) **United States Design Patent**
Vestweber

(10) **Patent No.:** **US D577,932 S**
(45) **Date of Patent:** **** Oct. 7, 2008**

- (54) **SEAT FRAME**
- (75) Inventor: **Nikki Vestweber**, Manhattan, KS (US)
- (73) Assignee: **Cushion Seats, Inc.**, Manhattan, KS (US)
- (**) Term: **14 Years**
- (21) Appl. No.: **29/298,044**
- (22) Filed: **Nov. 27, 2007**

2,276,308	A *	3/1942	Hugh	446/482
2,287,611	A *	6/1942	Harbison	312/313
2,306,673	A *	12/1942	Tucker	297/252
2,475,962	A *	7/1949	Horn	297/252
2,545,840	A *	3/1951	Browne	297/252
2,558,315	A *	6/1951	Pavey et al.	297/352

(Continued)

Primary Examiner—Sandra Snapp
(74) *Attorney, Agent, or Firm*—McAndrews, Held & Malloy, Ltd.

Related U.S. Application Data

- (63) Continuation of application No. 29/234,933, filed on Jul. 25, 2005, now Pat. No. Des. 555,947.

- (51) **LOC (8) Cl.** **06-01**
- (52) **U.S. Cl.** **D6/500**
- (58) **Field of Classification Search** D6/349–355, D6/363–364, 484, 495, 500–502, 335, 458, D6/487, 511; 297/195.1, 195.11, 16.1, 118, 297/16.2, 175, 187, 462, 215.16, 219.11, 297/423.1, 423.39, 423.41, 423.43, 461; 108/53.3, 115, 150; 248/325, 250; 211/119.003, 211/134, 153; D8/381
See application file for complete search history.

(56) **References Cited**

U.S. PATENT DOCUMENTS

116,934	A *	7/1871	Cutter	297/252
653,105	A *	7/1900	MacLeay	297/188.1
816,545	A *	3/1906	Field	297/352
1,213,762	A *	1/1917	Dunn	297/252
1,293,778	A *	2/1919	Holm	297/252
1,515,564	A *	11/1924	Field	297/250.1
2,004,237	A *	6/1935	Costello	182/59
2,046,198	A *	6/1936	Letts	297/252
2,059,493	A *	11/1936	Schoenhoff	297/252

(57) **CLAIM**

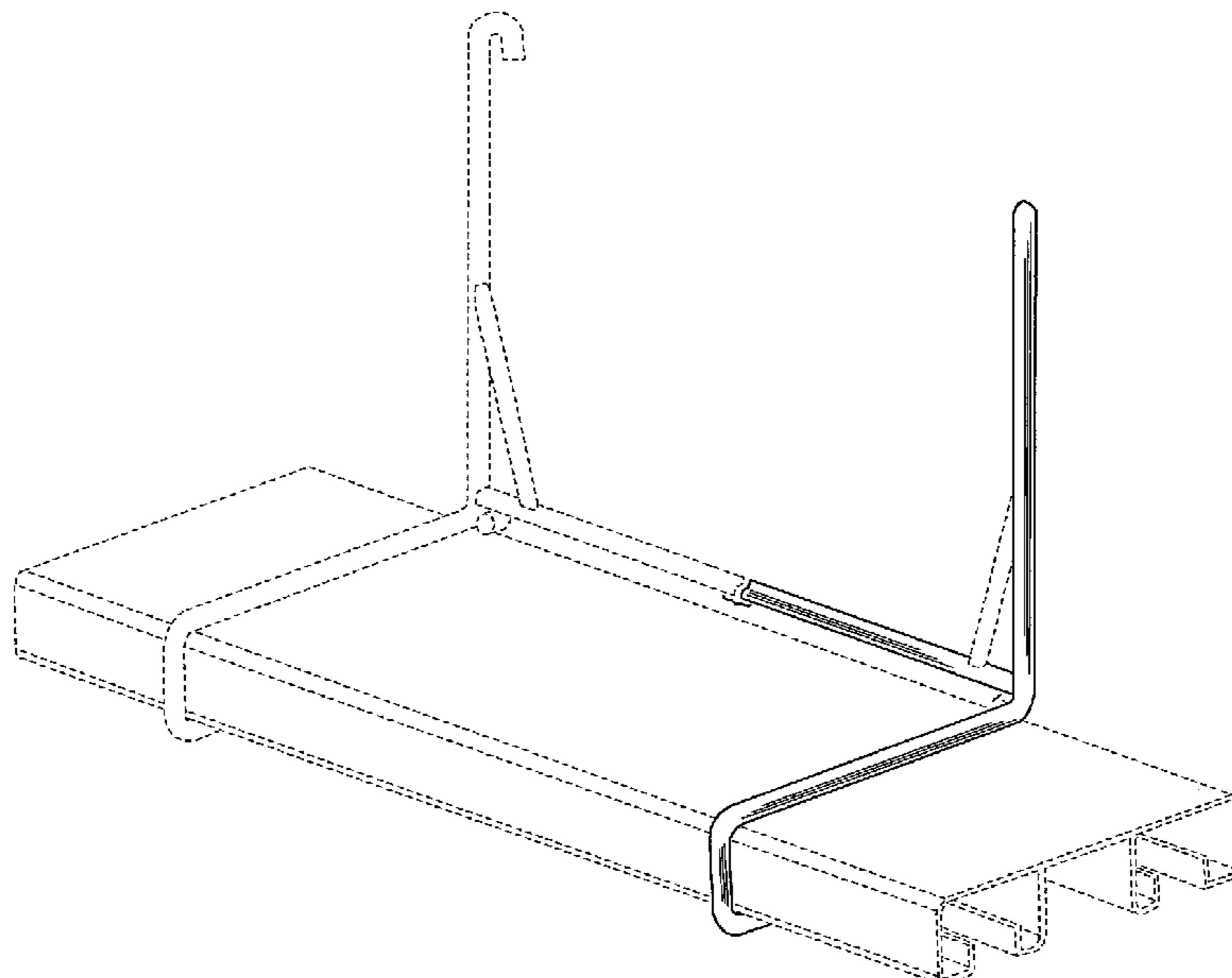
The ornamental design for a seat frame, as substantially shown and described.

DESCRIPTION

FIG. 1 is a perspective view of a first embodiment of a seat frame showing my new design;
 FIG. 2 is a right side elevation view thereof;
 FIG. 3 is a left side elevation view thereof;
 FIG. 4 is a top plan view thereof;
 FIG. 5 is a front side elevation view thereof;
 FIG. 6 is a perspective view of a second embodiment thereof;
 FIG. 7 is a right side elevation view thereof;
 FIG. 8 is a left side elevation view thereof;
 FIG. 9 is a top plan view thereof; and,
 FIG. 10 is a front side elevation view thereof.

The broken lines in the drawings, indicating that no particular shape of the broken line subject matter is being claimed, represent environmental subject matter and form no part of the claimed design. The pairs of adjacently spaced jagged, broken away portions indicate indeterminate length.

1 Claim, 6 Drawing Sheets



US D577,932 S

U.S. PATENT DOCUMENTS

2,571,282	A *	10/1951	Newton et al.	297/252	4,688,683	A *	8/1987	Thalenfeld et al.	211/57.1
2,725,925	A *	12/1955	Sanderson et al.	297/252	4,809,941	A *	3/1989	Sheridan	248/249
2,736,365	A *	2/1956	Hines	297/183.5	4,898,355	A *	2/1990	Steinway	248/235
2,792,875	A *	5/1957	Pirrone	297/252	5,044,505	A *	9/1991	Spratt	211/22
2,816,871	A *	12/1957	Fish	297/217.1	D337,938	S *	8/1993	Shaw et al.	D8/380
2,865,433	A *	12/1958	Warner	383/25	D344,868	S *	3/1994	Martinell	D6/552
2,954,125	A *	9/1960	Husted	108/62	5,388,709	A *	2/1995	Adams	211/70.6
3,026,142	A *	3/1962	Holloway	297/252	5,533,219	A *	7/1996	Meyers	5/653
3,066,980	A *	12/1962	Clute	297/252	5,842,581	A *	12/1998	Graefe	211/17
3,153,526	A *	10/1964	Pawsey	248/219.1	D417,353	S *	12/1999	Laga	D6/566
3,253,526	A *	5/1966	Steisslinger	396/399	D423,269	S *	4/2000	Laga et al.	D6/566
3,279,620	A *	10/1966	Nesbitt	211/106.01	D427,824	S *	7/2000	Osburn et al.	D6/511
3,288,414	A *	11/1966	Fortunato	248/222.12	6,209,837	B1 *	4/2001	Harms	248/302
3,393,888	A *	7/1968	Henningsgard	248/230.8	6,352,306	B1 *	3/2002	Dreiling	297/252
D216,158	S *	11/1969	Williams	D25/68	6,502,902	B1 *	1/2003	Romero	297/352
3,672,624	A *	6/1972	Keller	248/243	6,581,789	B1 *	6/2003	Spanski et al.	211/106
3,675,882	A *	7/1972	Dibble	248/235	6,592,187	B2 *	7/2003	Calvery	297/352
3,695,569	A *	10/1972	Pullan	248/235	6,739,667	B1 *	5/2004	Jones	297/352
3,797,790	A *	3/1974	Iseki	248/230.2	6,823,999	B2 *	11/2004	Heneveld, Sr.	211/87.01
3,900,110	A *	8/1975	Soroka	211/113	6,926,360	B2 *	8/2005	Jones	297/252
3,994,529	A *	11/1976	Lippert	297/252	7,104,605	B2 *	9/2006	Jones	297/352
4,036,369	A *	7/1977	Eisenberg	211/88.02	2005/0127731	A1 *	6/2005	Jones	297/352
4,094,415	A *	6/1978	Larson	211/57.1	2006/0022499	A1 *	2/2006	Jones	297/352
4,269,381	A *	5/1981	Harms	248/465.1	2006/0220428	A1 *	10/2006	Vestweber	297/252
4,367,819	A *	1/1983	Lewis	211/59.1	2006/0250004	A1 *	11/2006	Jones	297/229
4,469,031	A *	9/1984	Haycock	108/147.17	2006/0250010	A1 *	11/2006	Jones	297/352
					2007/0018491	A1 *	1/2007	Jones	297/352

* cited by examiner

Fig. 1

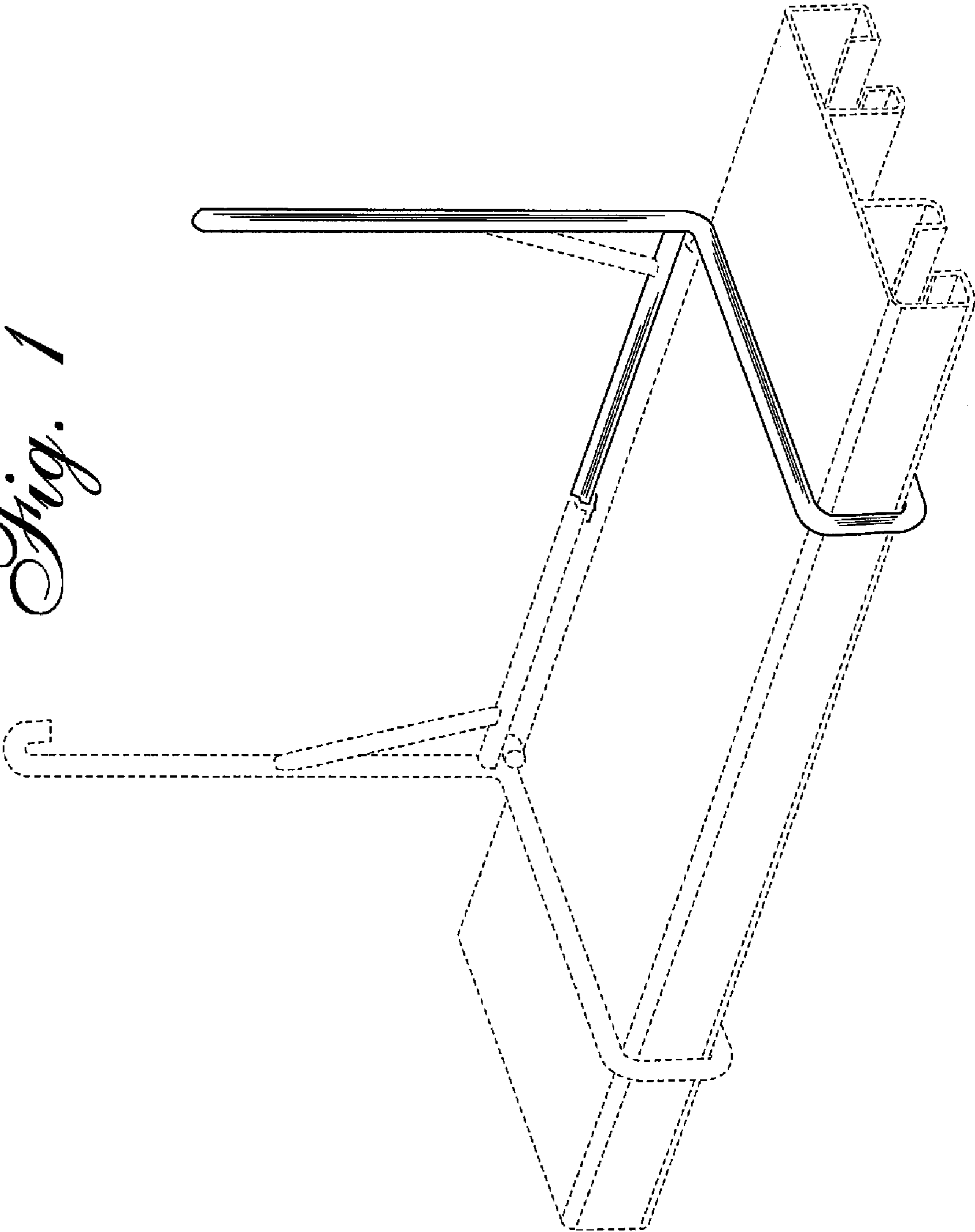


Fig. 3

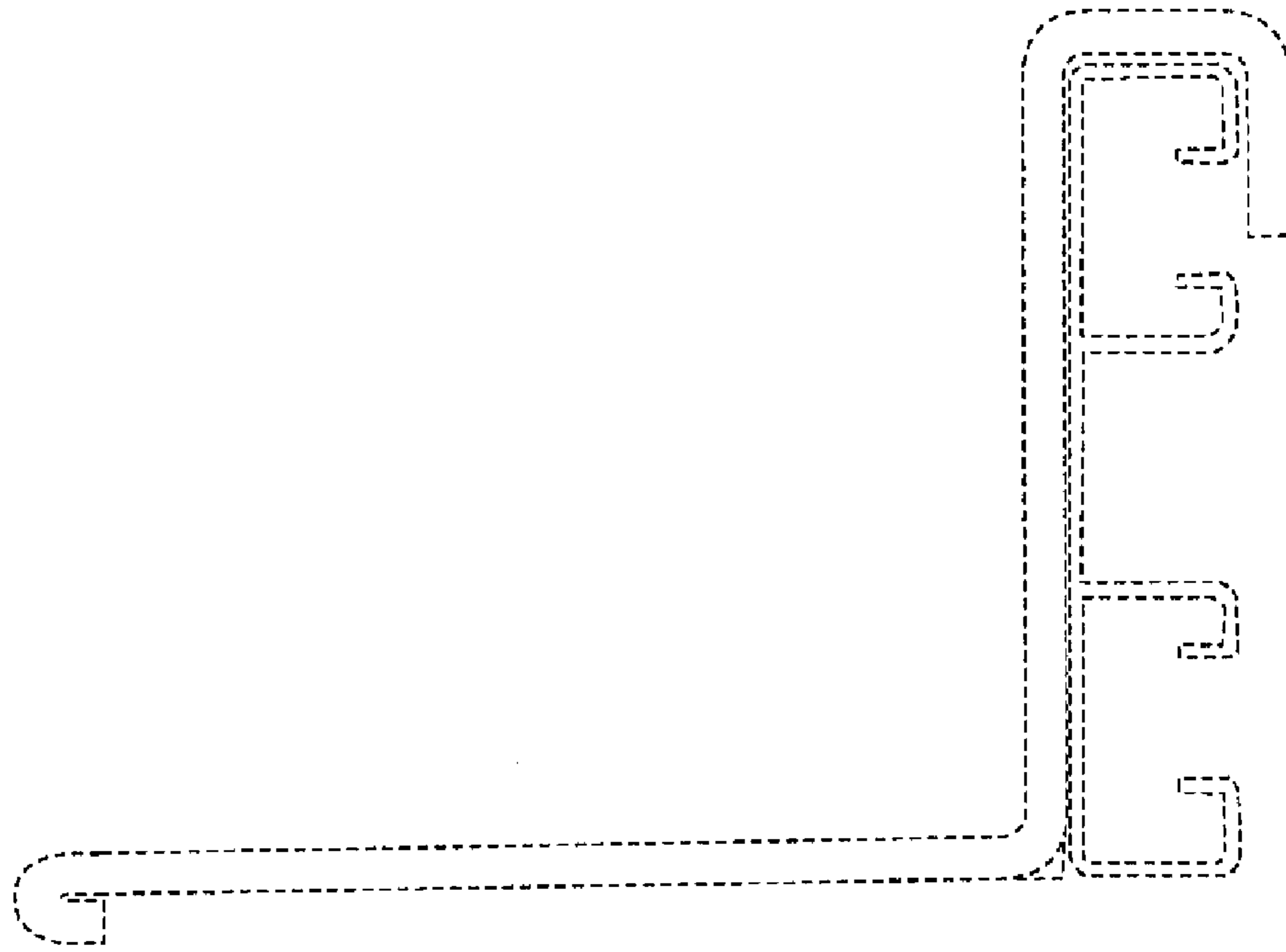


Fig. 2

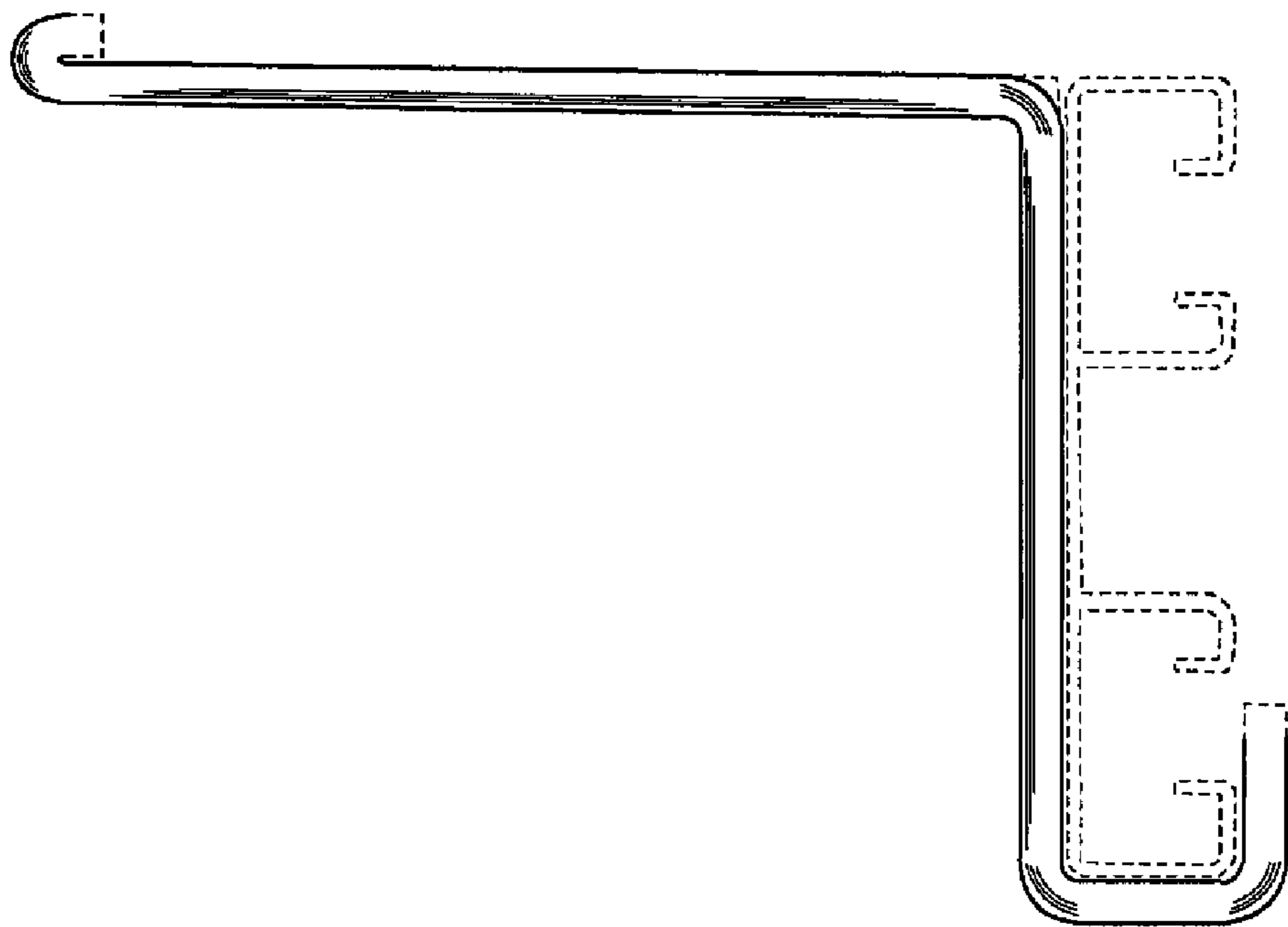


Fig. 4

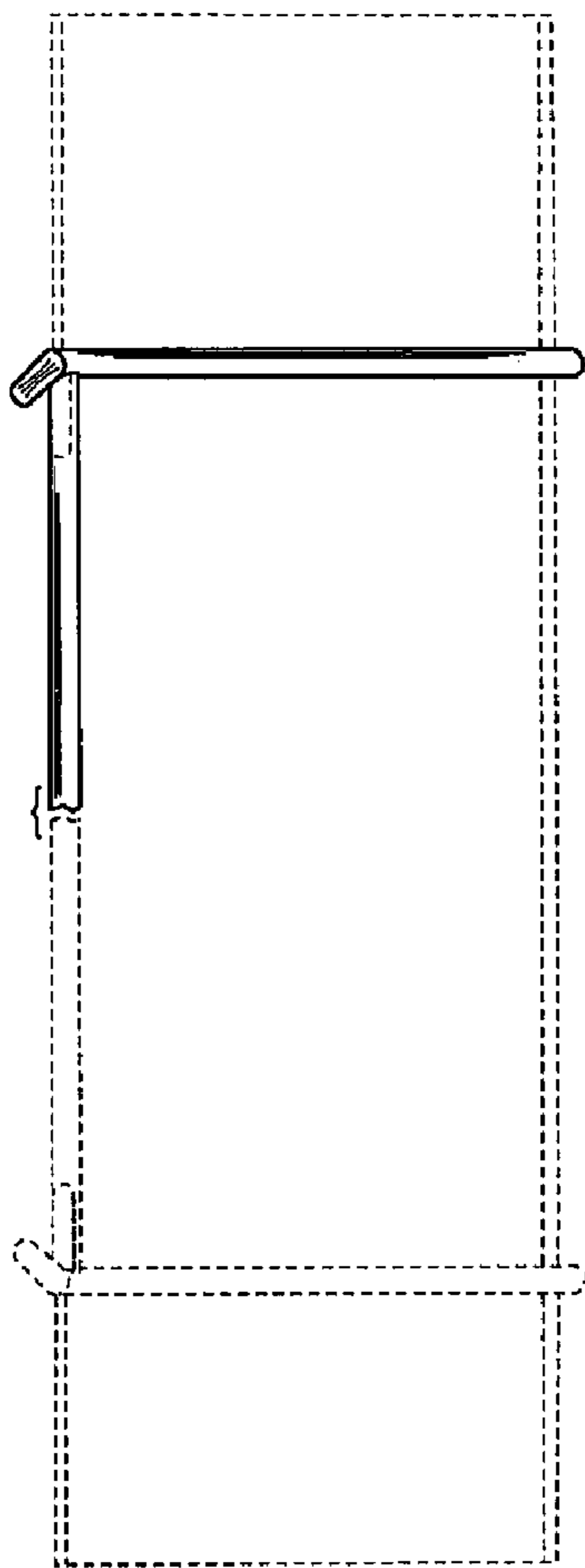


Fig. 5

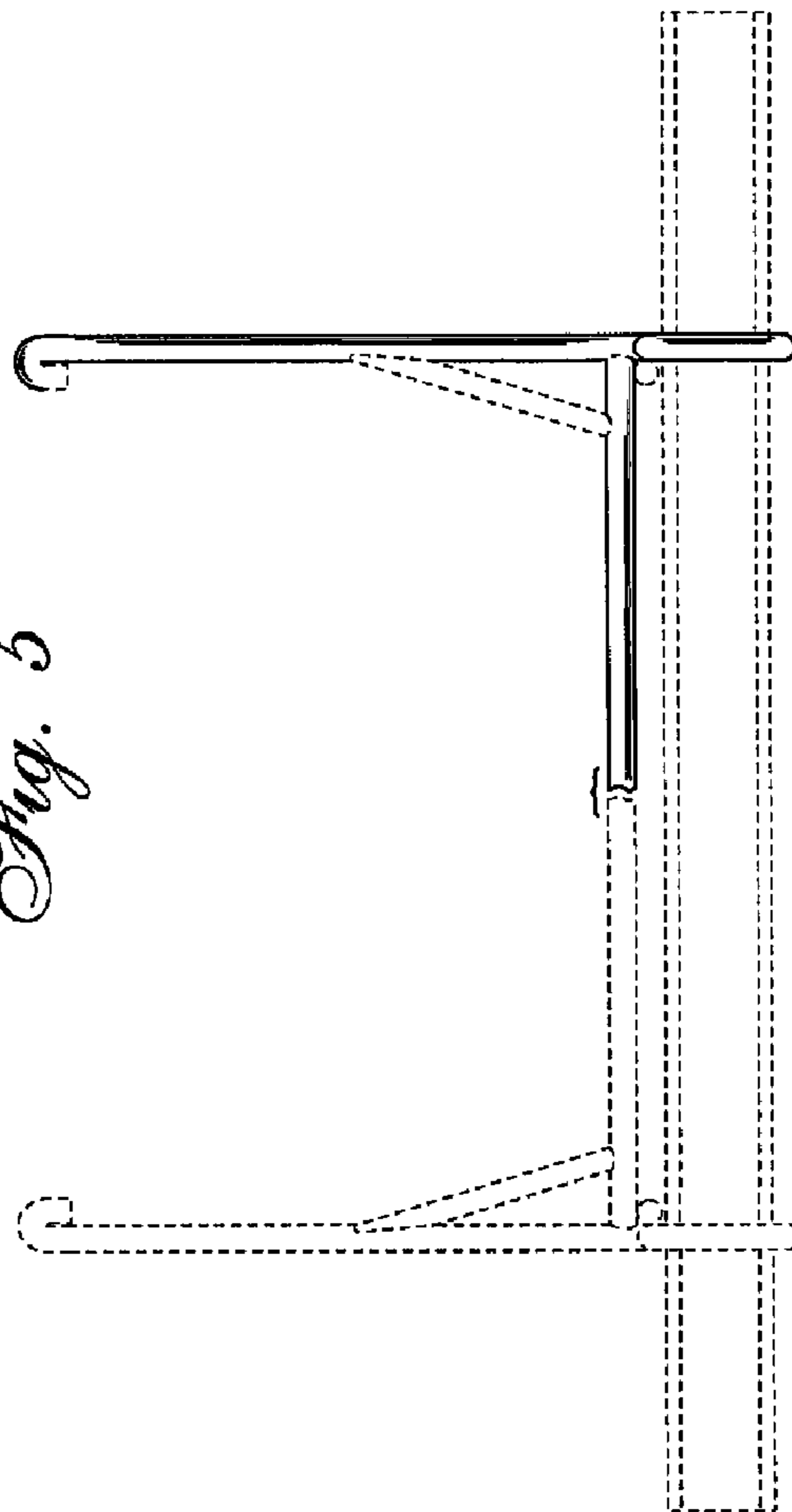


Fig. 6

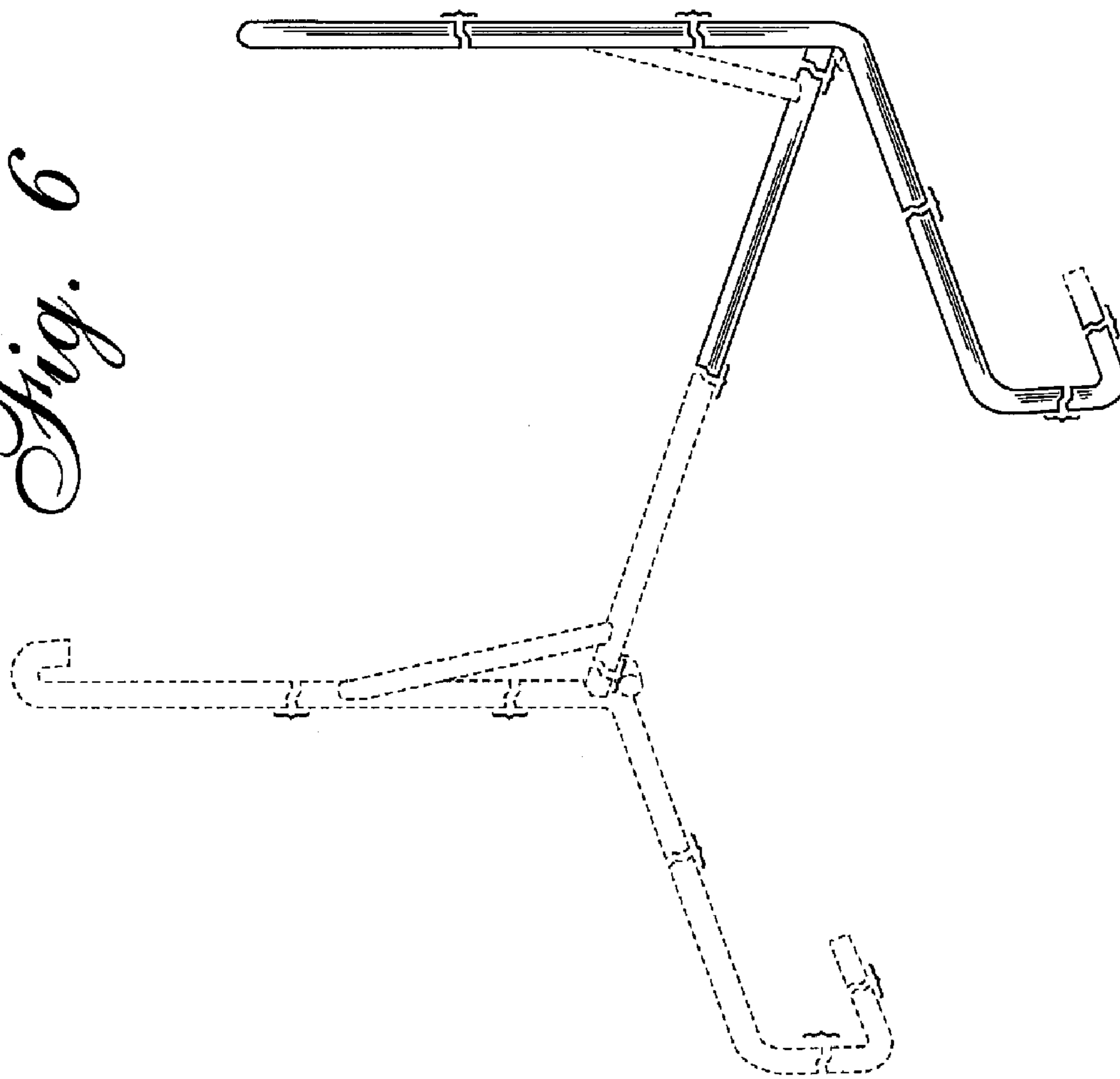


Fig. 8

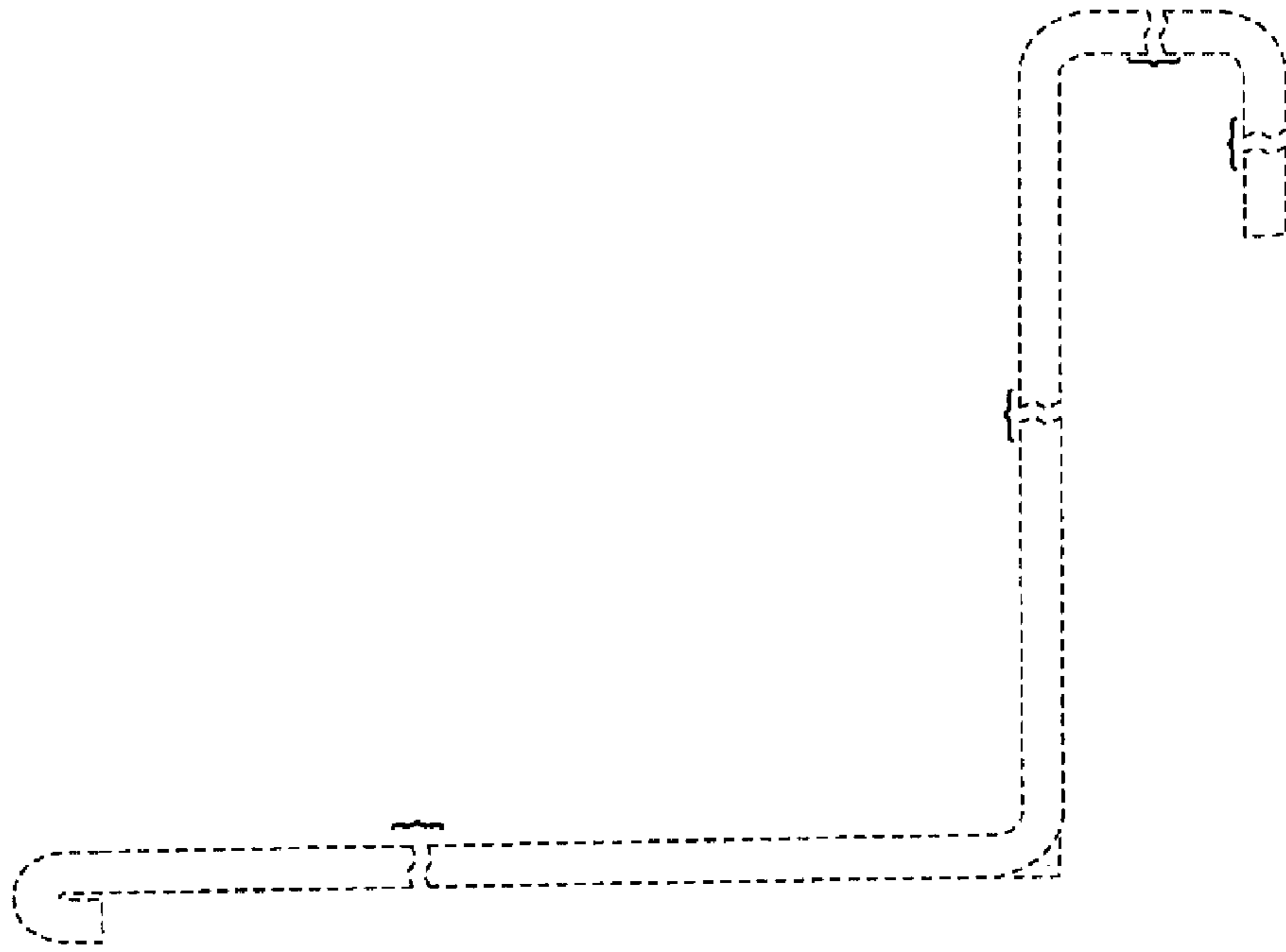


Fig. 7

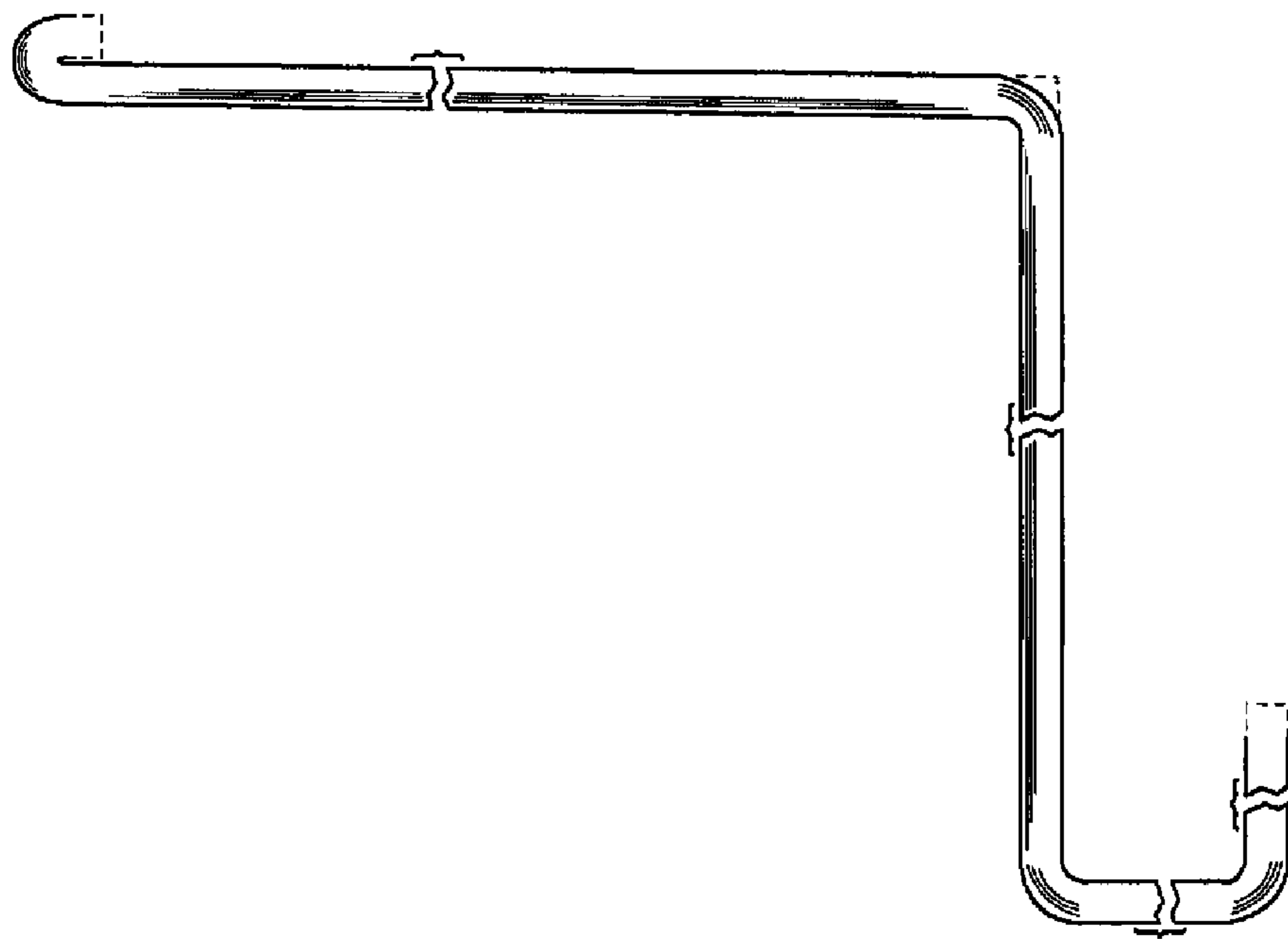


Fig. 9

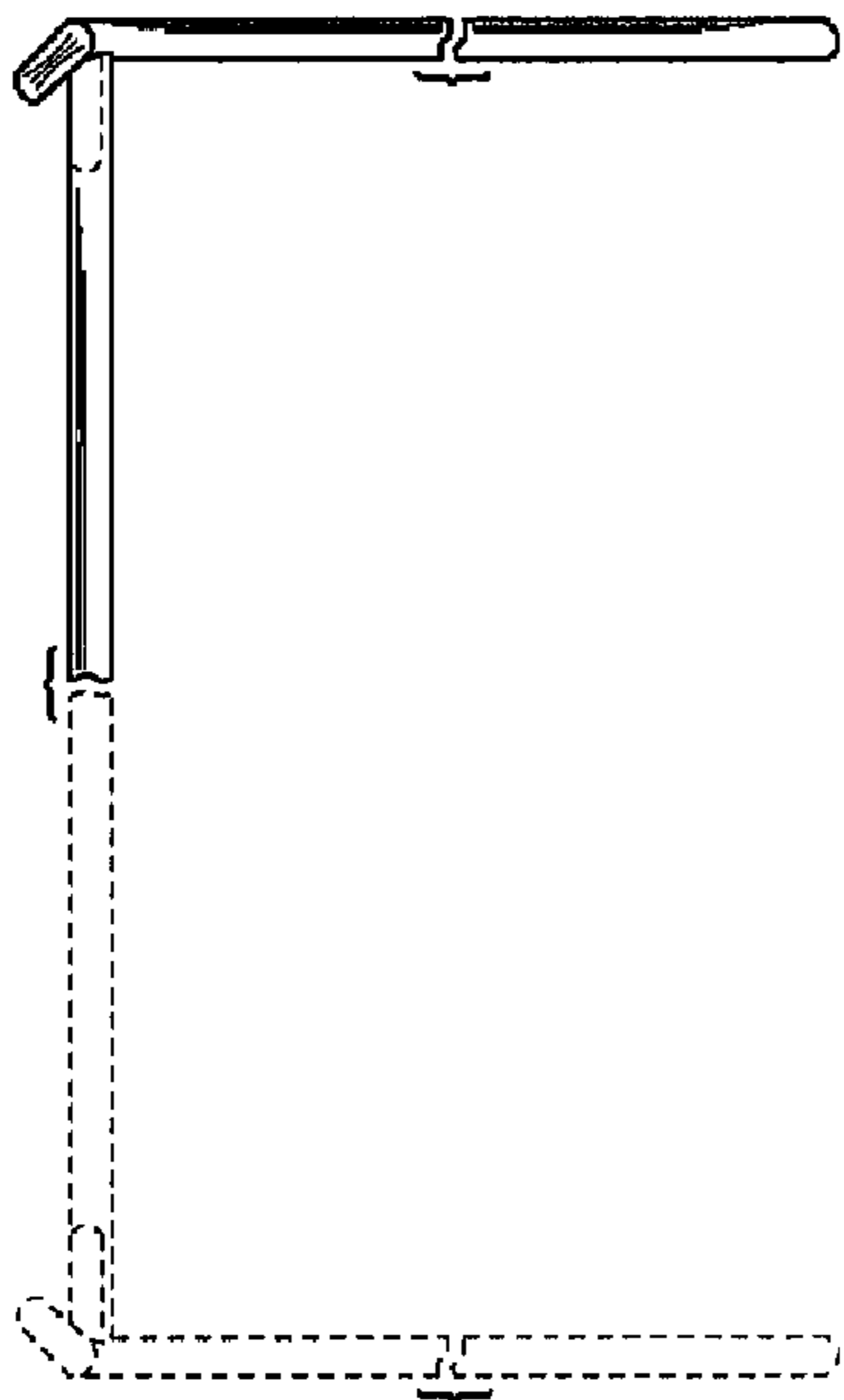


Fig. 10

