



US00D577928S

(12) **United States Design Patent**
Wong

(10) **Patent No.:** **US D577,928 S**
(45) **Date of Patent:** **** Oct. 7, 2008**

(54) **CONTAINER**

(75) Inventor: **Kent Wong**, Kowloon (HK)

(73) Assignee: **Sunhing Millennium Ltd.**, Kowloon (HK)

(**) Term: **14 Years**

(21) Appl. No.: **29/290,144**

(22) Filed: **Oct. 25, 2007**

(30) **Foreign Application Priority Data**

Apr. 27, 2007 (HK) 0701193

(51) **LOC (8) Cl.** **06-01**

(52) **U.S. Cl.** **D6/407; D3/295**

(58) **Field of Classification Search** D3/260,
D3/273, 276, 281–284, 291, 294–295, 302,
D3/905; D6/407, 629, 632–634; D19/75;
206/307, 308.1, 349, 372–373; 312/9.1,
312/244, 902

See application file for complete search history.

(56) **References Cited**

U.S. PATENT DOCUMENTS

4,842,032 A * 6/1989 Mastronardo 206/308.1
D314,666 S * 2/1991 Lanius D3/281
D315,445 S * 3/1991 Lanius D3/281
D323,675 S * 2/1992 Klodt D19/75
D418,294 S * 1/2000 Tanji D3/276
D418,296 S * 1/2000 Kobayashi D3/291

D466,807 S * 12/2002 Buck et al. D9/425
D474,688 S * 5/2003 Litts D3/295
D489,530 S * 5/2004 Lindsay D3/302
D513,122 S * 12/2005 Greene D3/273
D566,479 S * 4/2008 Kabalin D7/605
2002/0185392 A1 * 12/2002 Hummell 206/307

* cited by examiner

Primary Examiner—T. Chase Nelson
Assistant Examiner—RoseLynne Cody

(74) *Attorney, Agent, or Firm*—Buchanan, Ingersoll & Rooney, PC

(57) **CLAIM**

The ornamental design for a container, as shown and described.

DESCRIPTION

FIG. 1 is a perspective view of a container showing my new design;

FIG. 2 is a perspective view thereof in an opened configuration;

FIG. 3 is a front view thereof;

FIG. 4 is a rear view thereof;

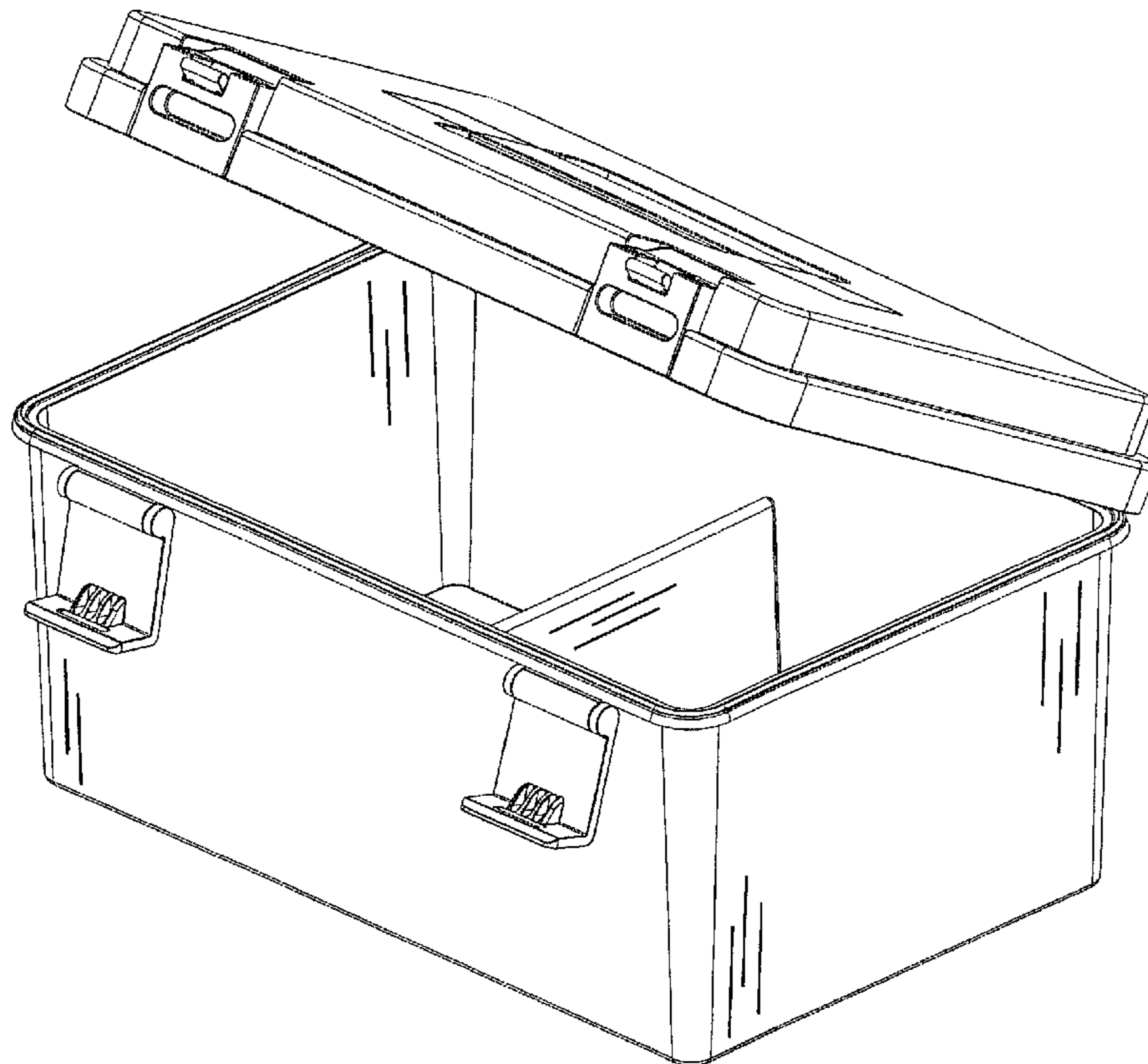
FIG. 5 is a left side view thereof;

FIG. 6 is a right side view thereof;

FIG. 7 is a top plan view thereof; and,

FIG. 8 is a bottom plan view thereof.

1 Claim, 8 Drawing Sheets



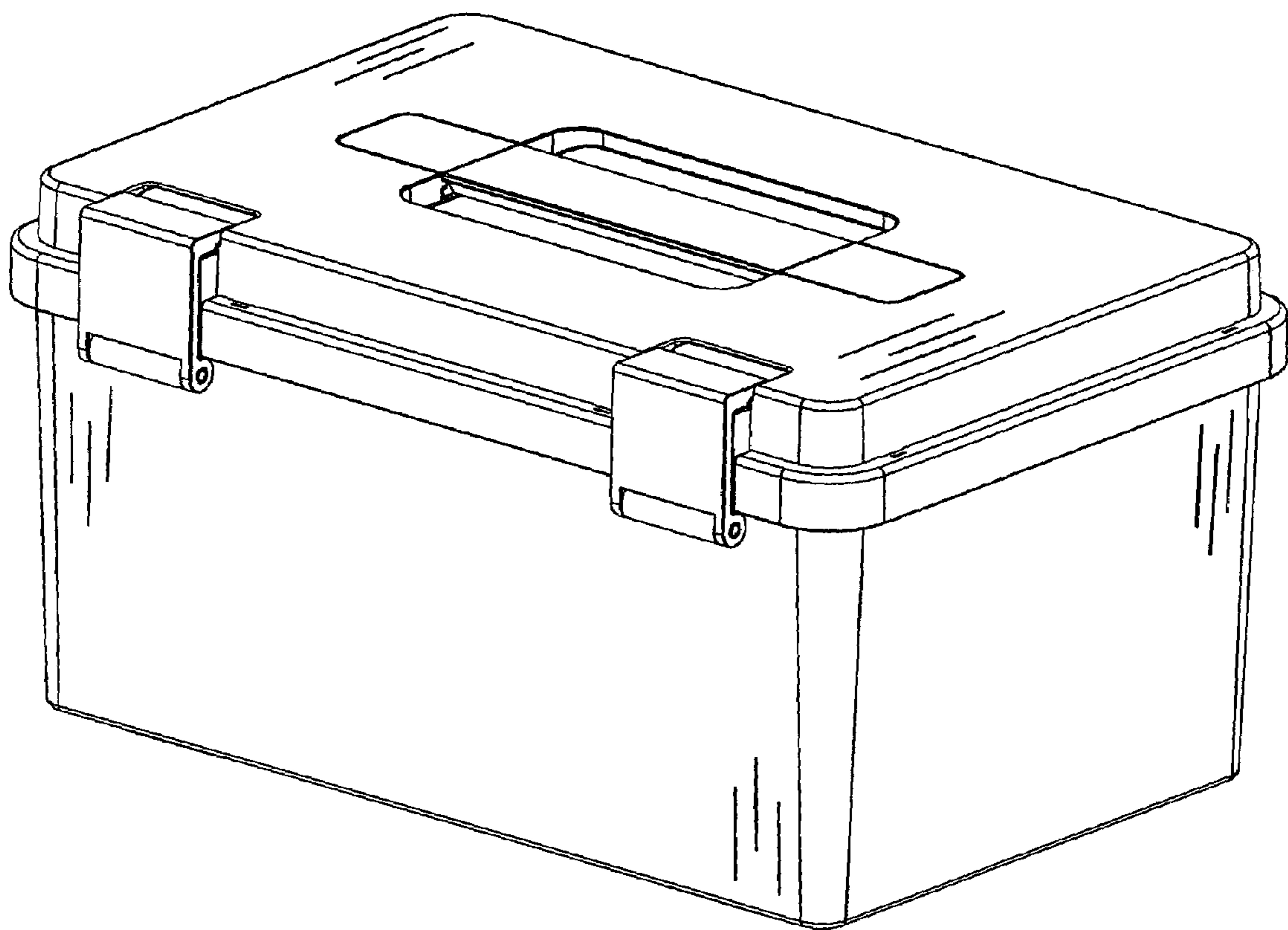


FIG. 1

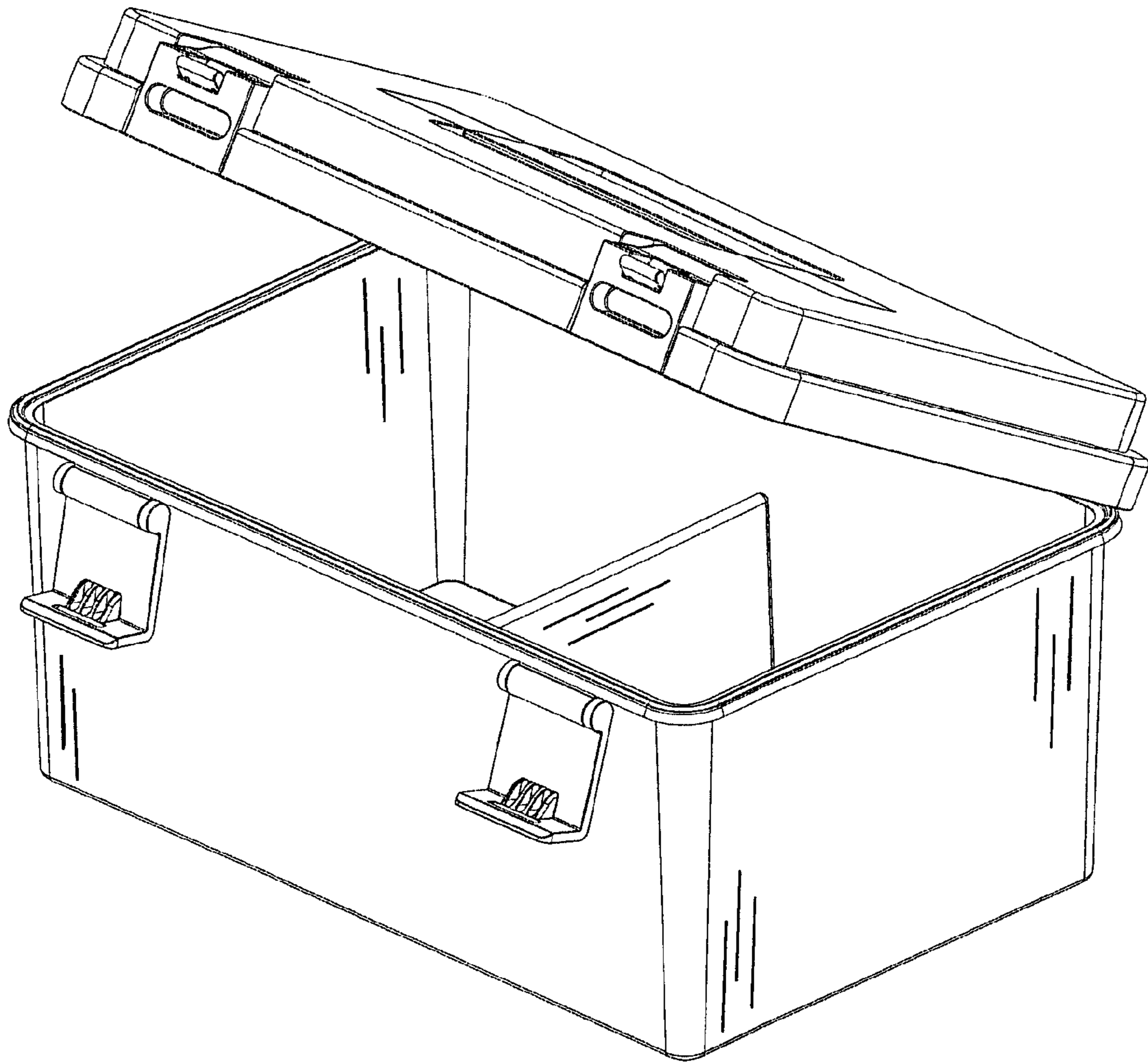


FIG. 2

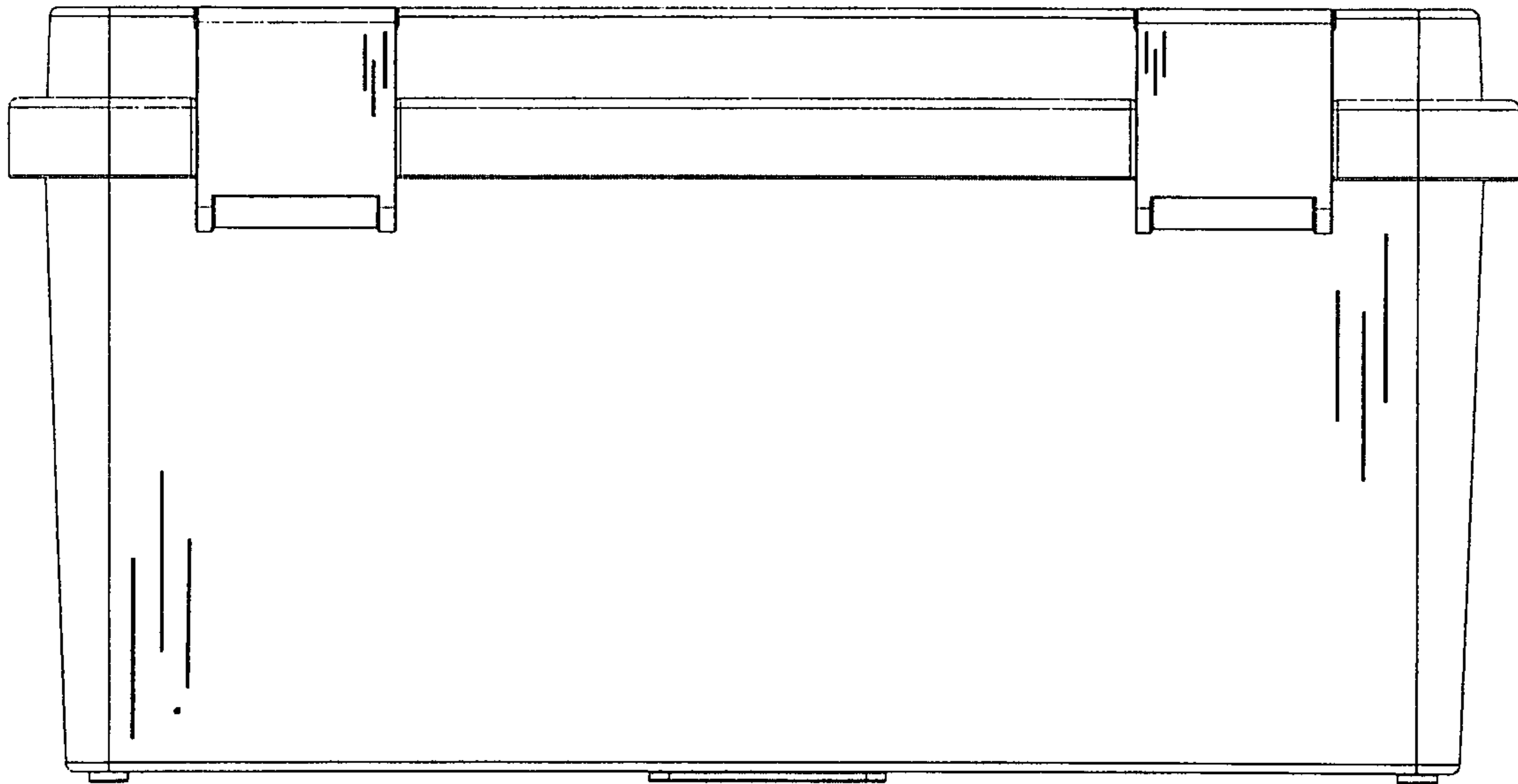


FIG. 3

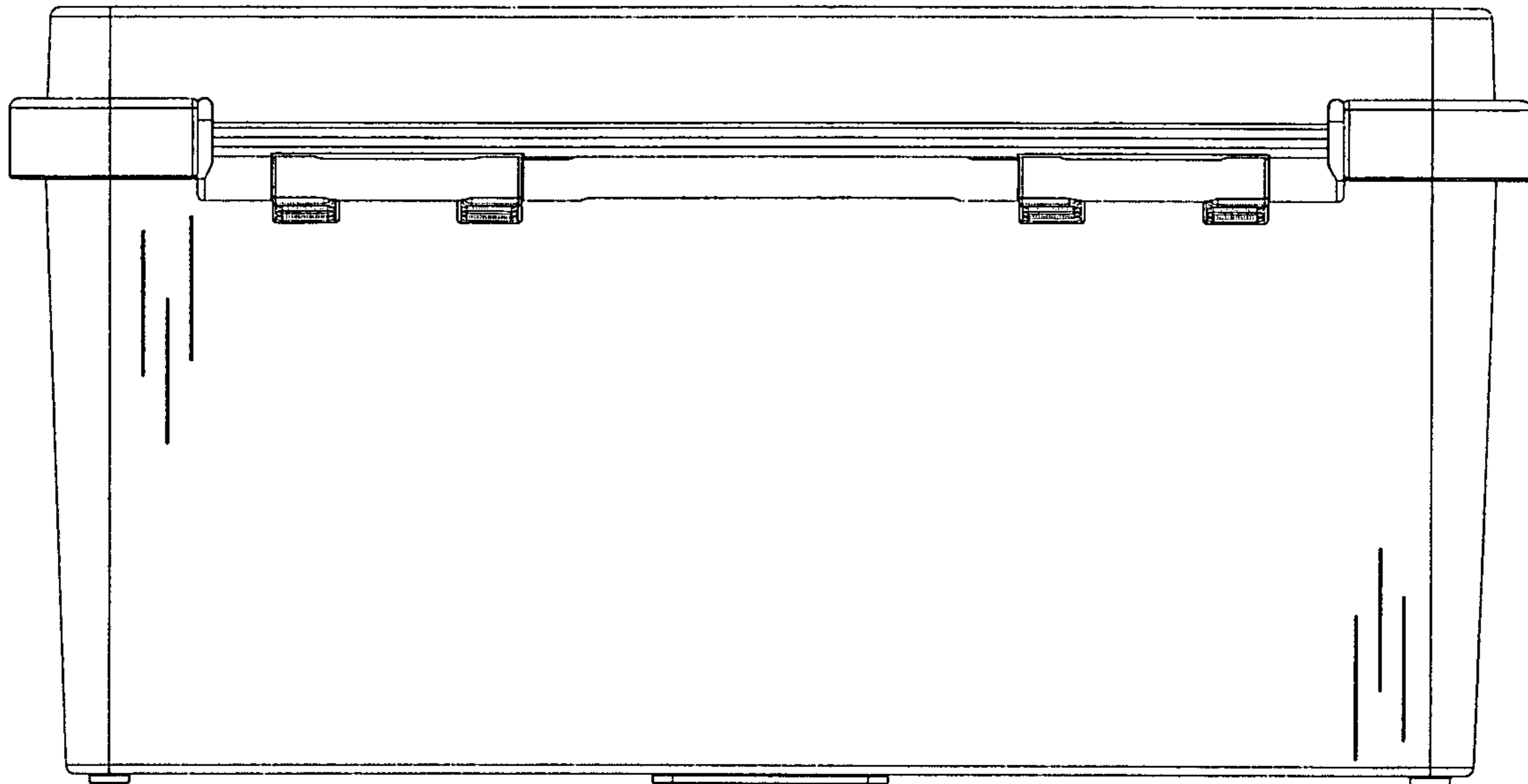


FIG. 4

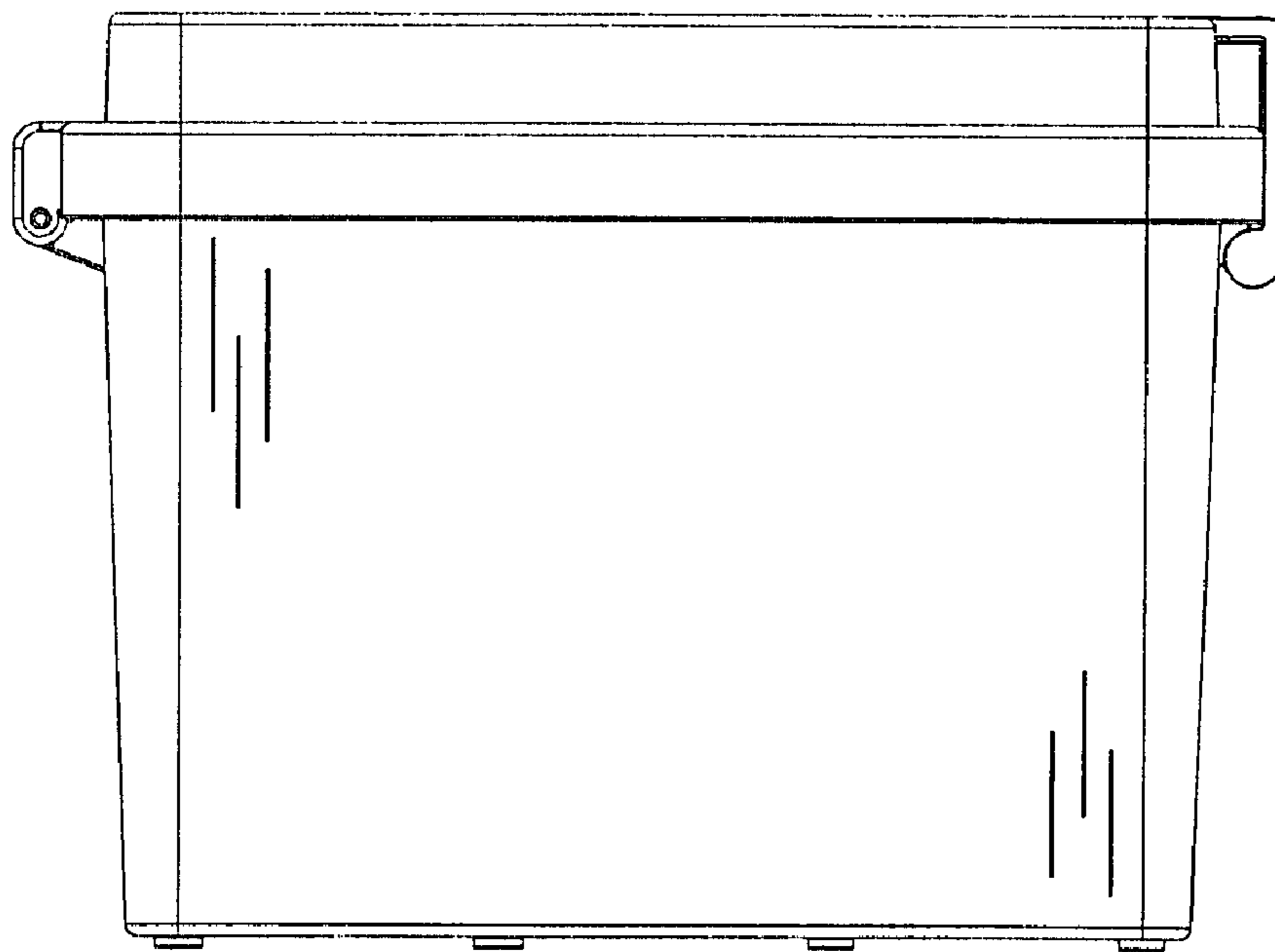


FIG. 5

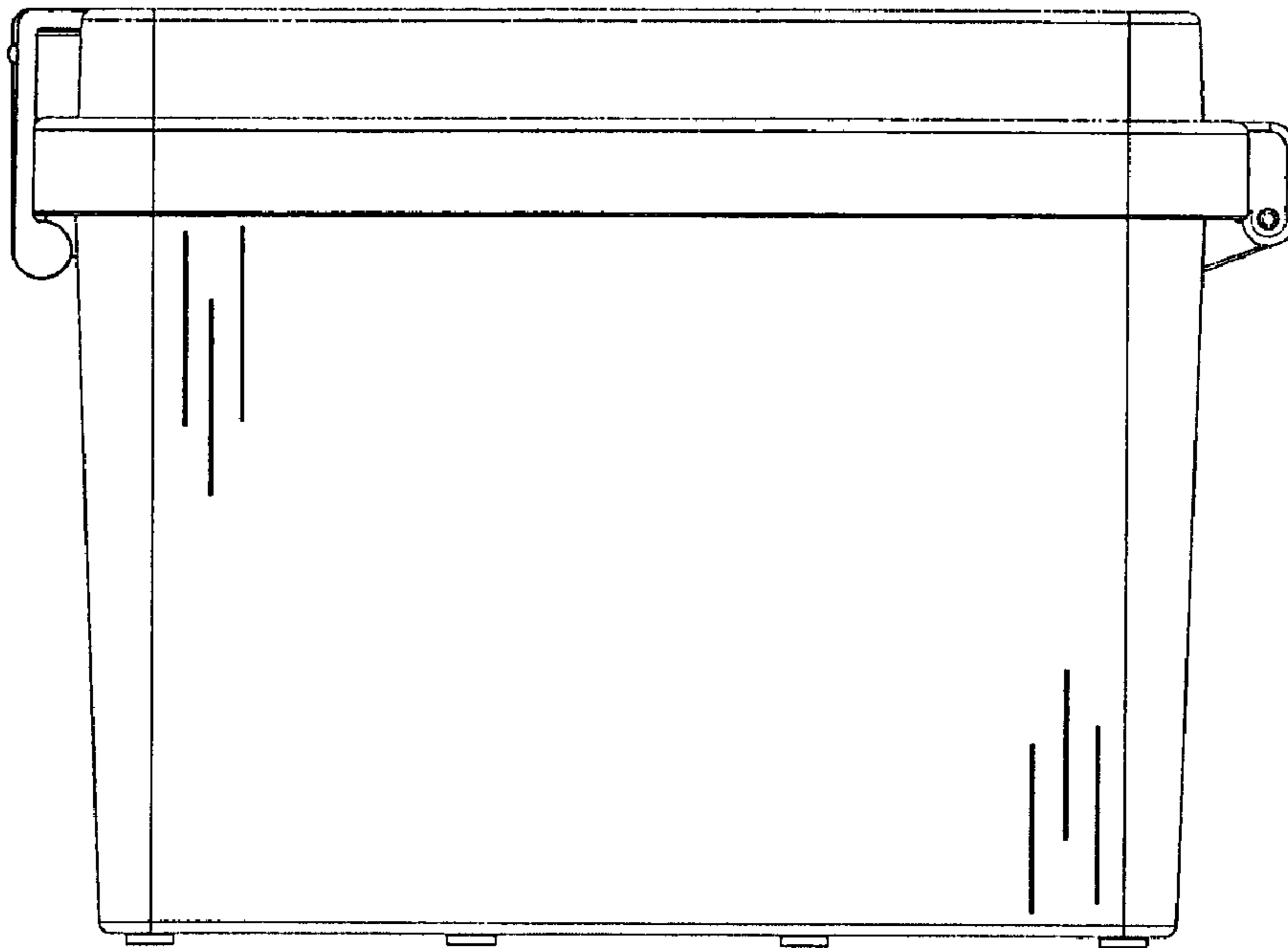


FIG. 6

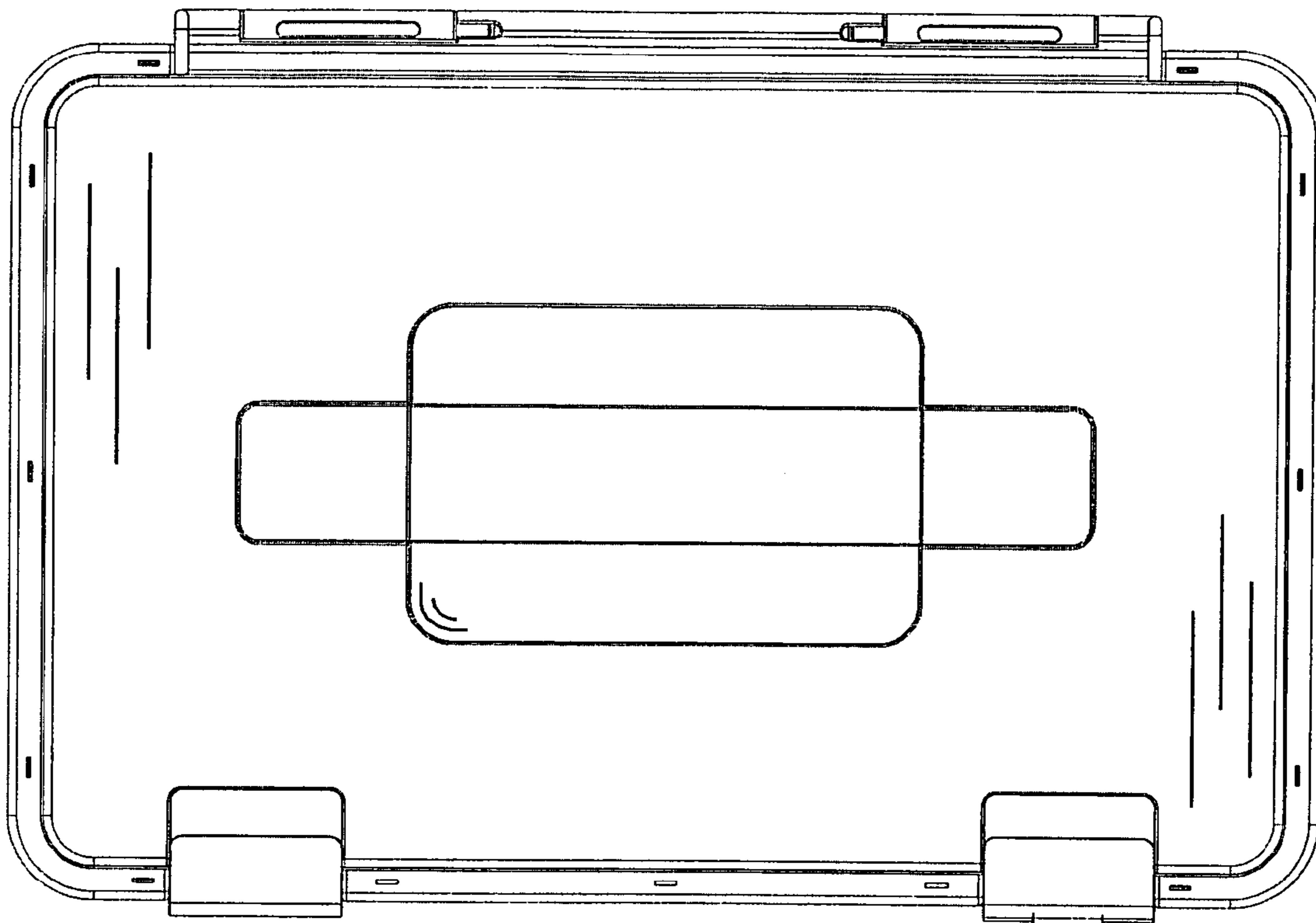


FIG. 7

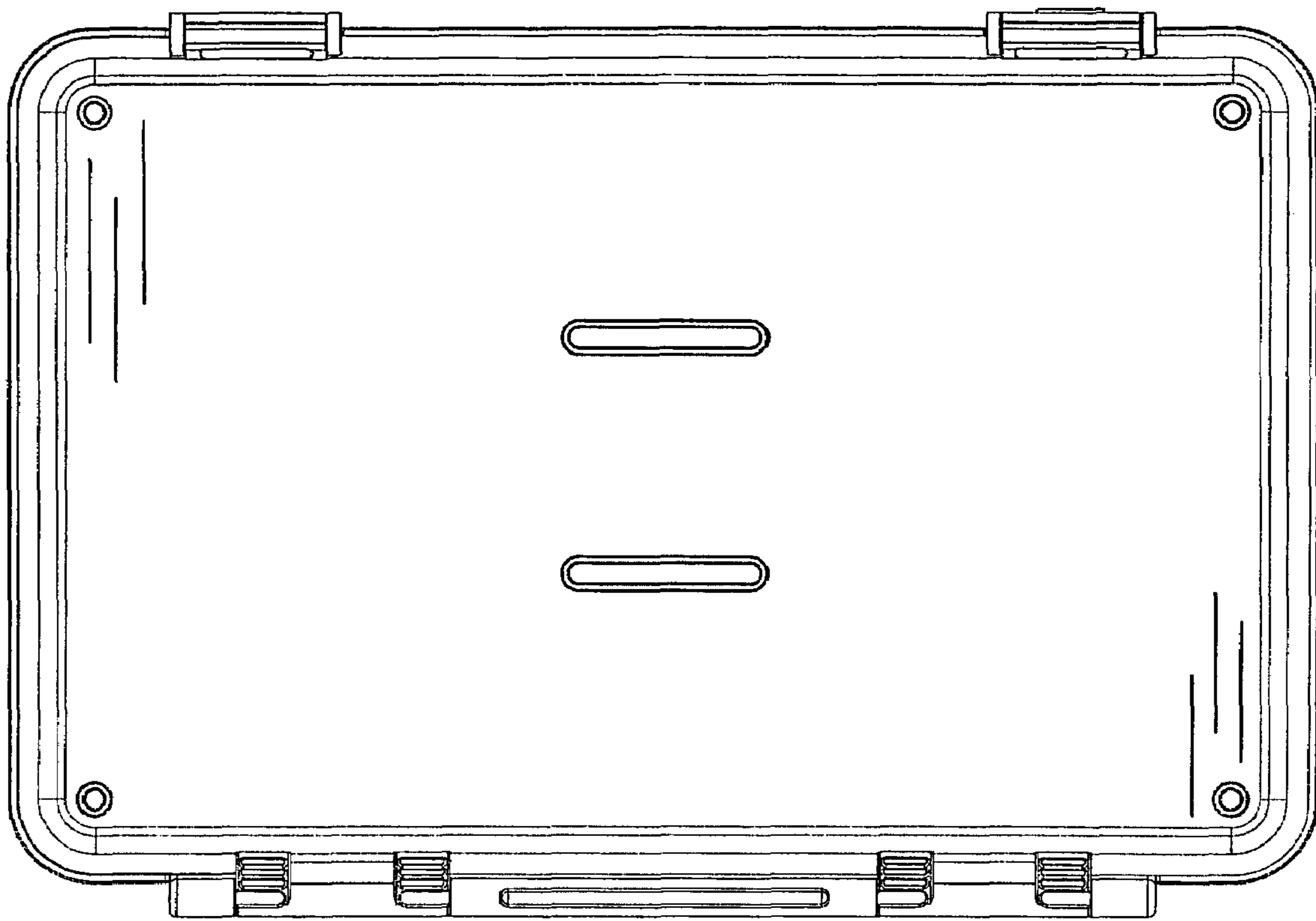


FIG. 8