



US00D577927S

(12) **United States Design Patent**
Balsley

(10) **Patent No.:** **US D577,927 S**
(45) **Date of Patent:** **** Oct. 7, 2008**

- (54) **BENCH**
- (75) Inventor: **Thomas Balsley**, New York, NY (US)
- (73) Assignee: **Landscape Forms Inc.**, Kalamazoo, MI (US)
- (**) Term: **14 Years**
- (21) Appl. No.: **29/304,205**
- (22) Filed: **Feb. 27, 2008**
- (51) **LOC (8) Cl.** **06-01**
- (52) **U.S. Cl.** **D6/381**
- (58) **Field of Classification Search** D6/334,
D6/349, 355, 357, 367, 368, 370, 374-381,
D6/500-502; 297/175, 232, 233, 283.2,
297/283.3, 445.1, 448.1, 452.12, 452.38,
297/452.48, 461, 462; 5/12.1, 12.2
See application file for complete search history.

- D470,678 S * 2/2003 Stewart D6/381
- D492,132 S * 6/2004 Pappas D6/381
- D512,573 S * 12/2005 Koenig D6/335
- D550,979 S * 9/2007 Clark D6/381

OTHER PUBLICATIONS

“Vacante Collection”, Forms + Surfaces 1998, Carpinteria, CA 93013, pp. 1-4.

* cited by examiner

Primary Examiner—Sandra Snapp
(74) *Attorney, Agent, or Firm*—Heslin Rothenberg Farley & Mesiti P.C.

(56) **References Cited**

U.S. PATENT DOCUMENTS

- D193,508 S * 9/1962 Nakamura D6/375
- 3,312,503 A * 4/1967 Suzuki 297/440.12
- D233,090 S * 10/1974 Laylon D6/361
- D235,495 S * 6/1975 Laylon D6/374
- D254,106 S * 2/1980 Benoit D6/369
- D329,546 S * 9/1992 Snodgrass D6/374
- D341,728 S * 11/1993 Grosfillex D6/379
- D345,869 S * 4/1994 Grosfillex D6/381
- D352,182 S * 11/1994 Yoshimura D6/368
- D439,068 S * 3/2001 Vanderbyl D6/379
- D441,204 S * 5/2001 Bernich D6/334
- D448,192 S * 9/2001 Kane D6/375
- D453,638 S * 2/2002 Kane D6/381
- D468,124 S * 1/2003 Stewart D6/381

(57) **CLAIM**

The ornamental design for the bench, as shown and described.

DESCRIPTION

This application is related to commonly assigned, concurrently filed application Serial No. 29/305,204 .

FIG. 1 is a perspective view of the bench of the present invention;

FIG. 2 is a front elevation view thereof;

FIG. 3 is a right side elevation view thereof, the left side elevation view being a mirror image thereof;

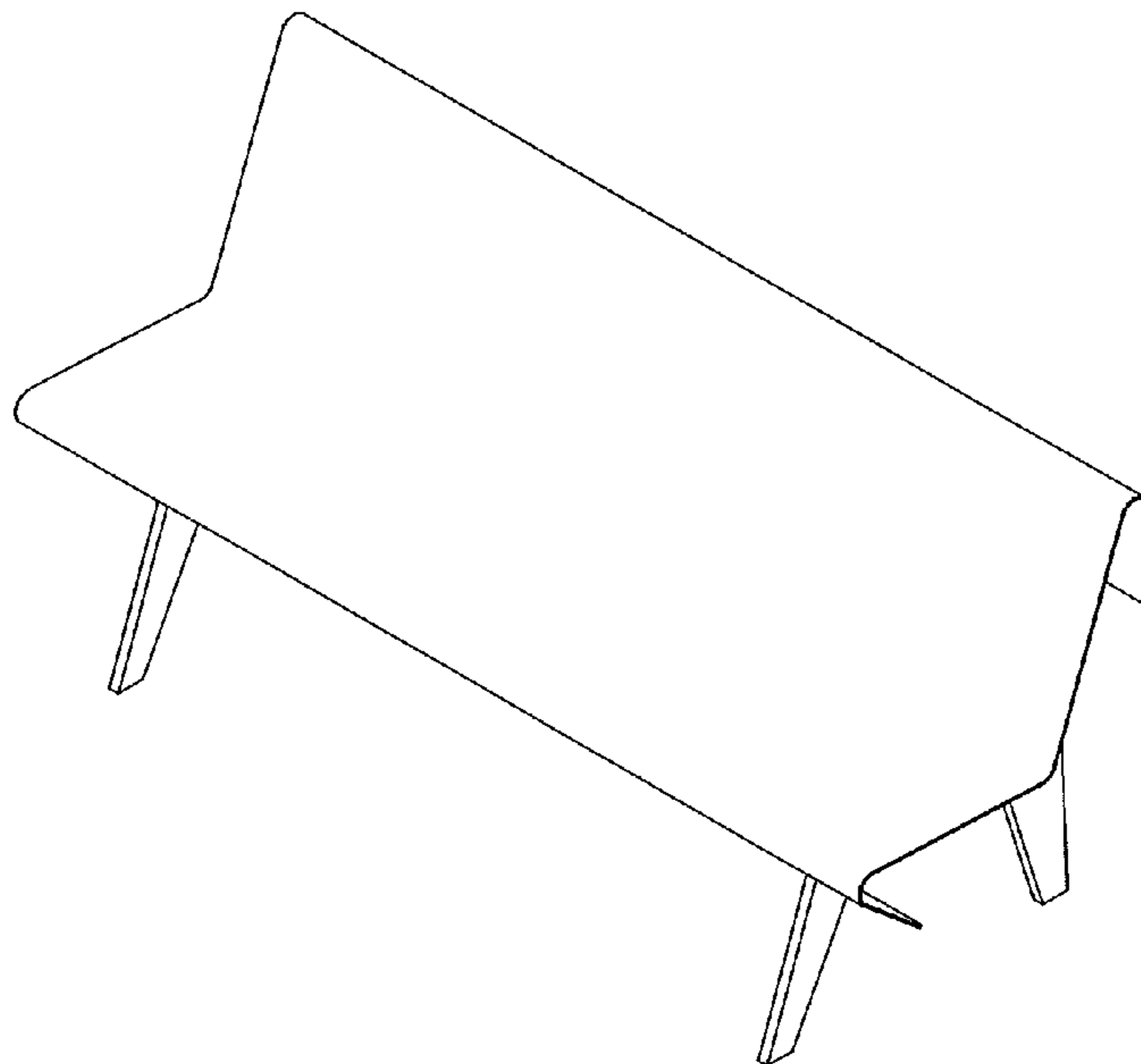
FIG. 4 is a rear elevation view thereof;

FIG. 5 is a top plan view thereof; and,

FIG. 6 is a perspective view of an embodiment with perforations depicted in broken lines and otherwise identical to the bench depicted in FIGS. 1-5.

The broken lines in the figures are for illustrative purposes only and form no part of the claimed invention.

1 Claim, 6 Drawing Sheets



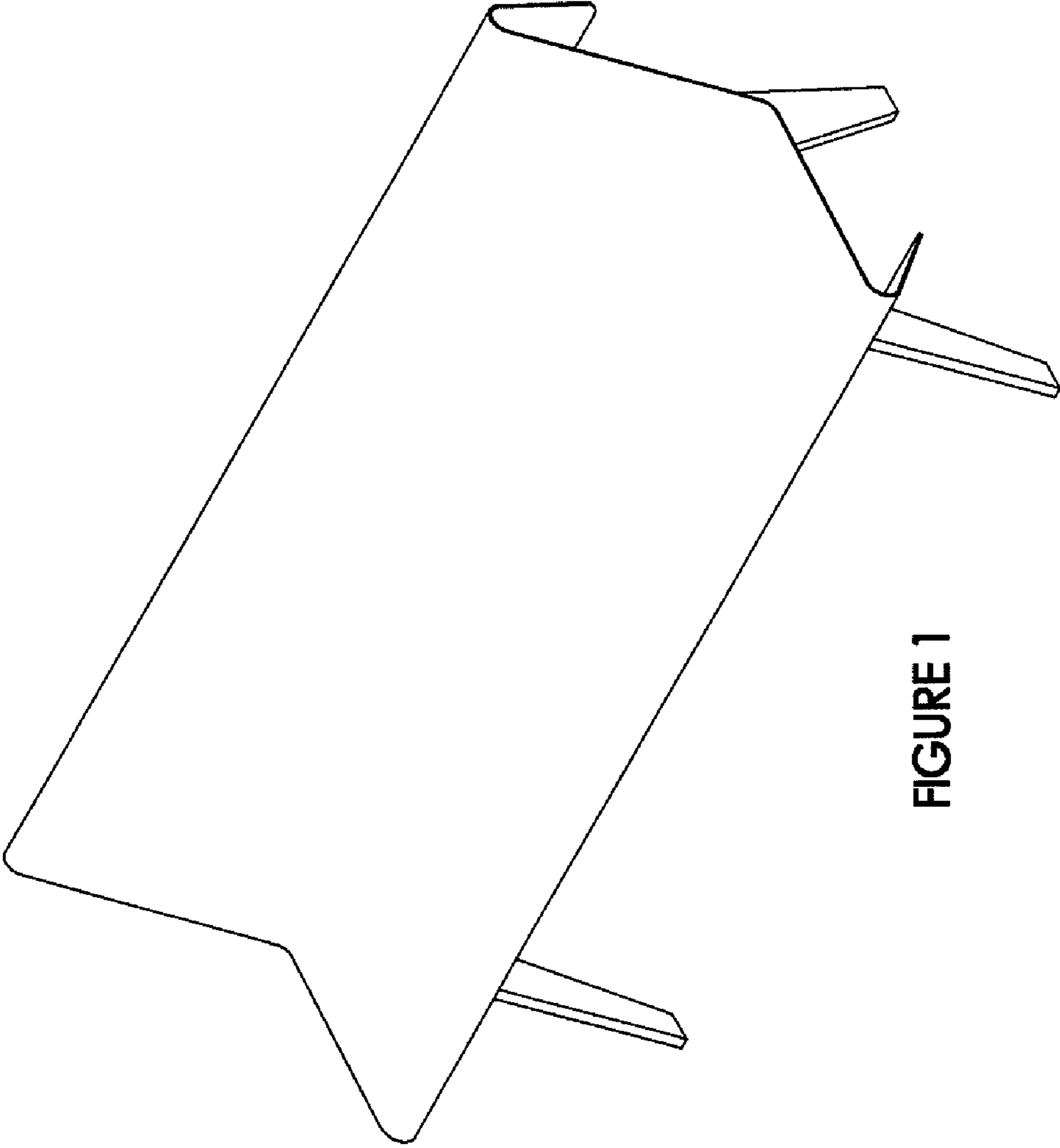


FIGURE 1

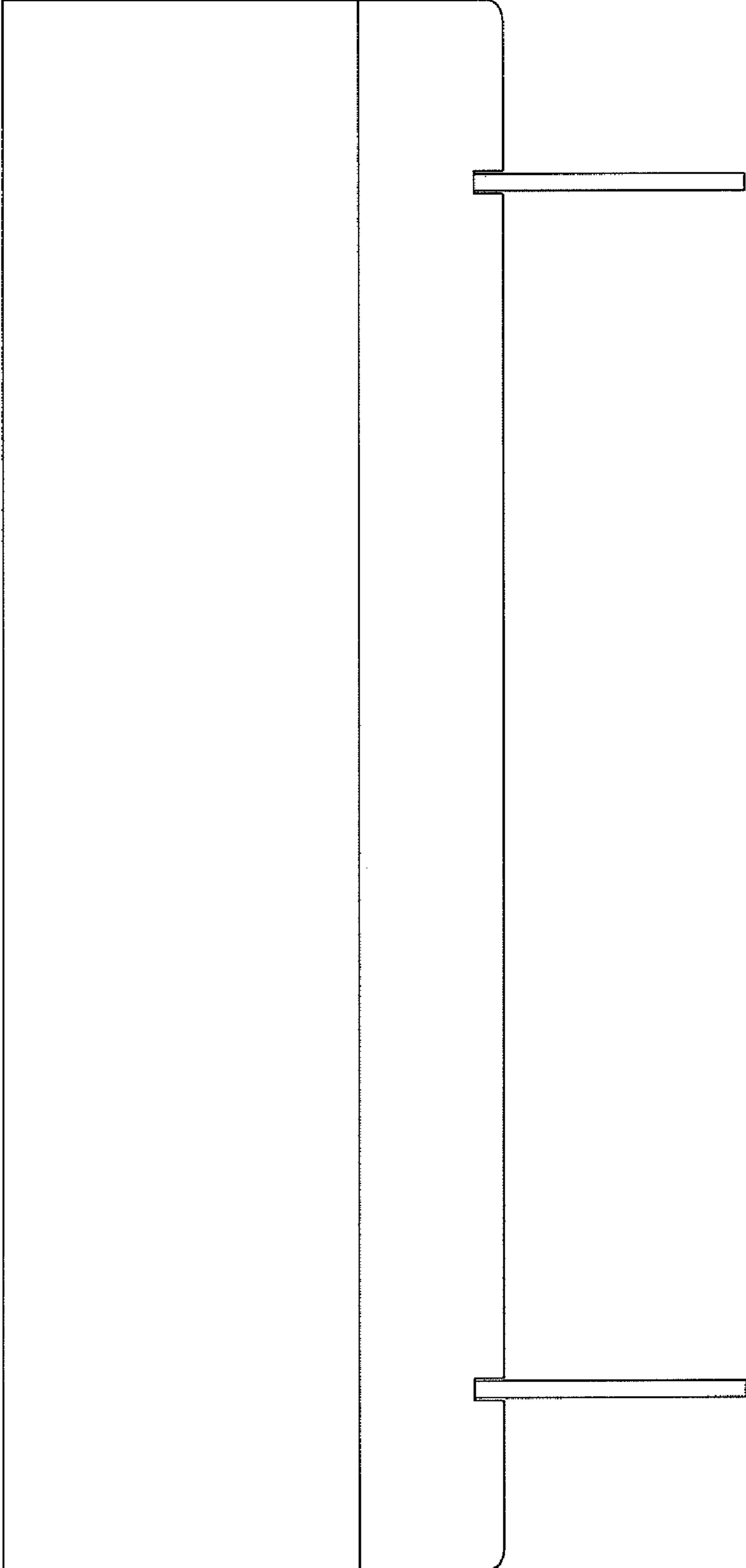


FIGURE 2

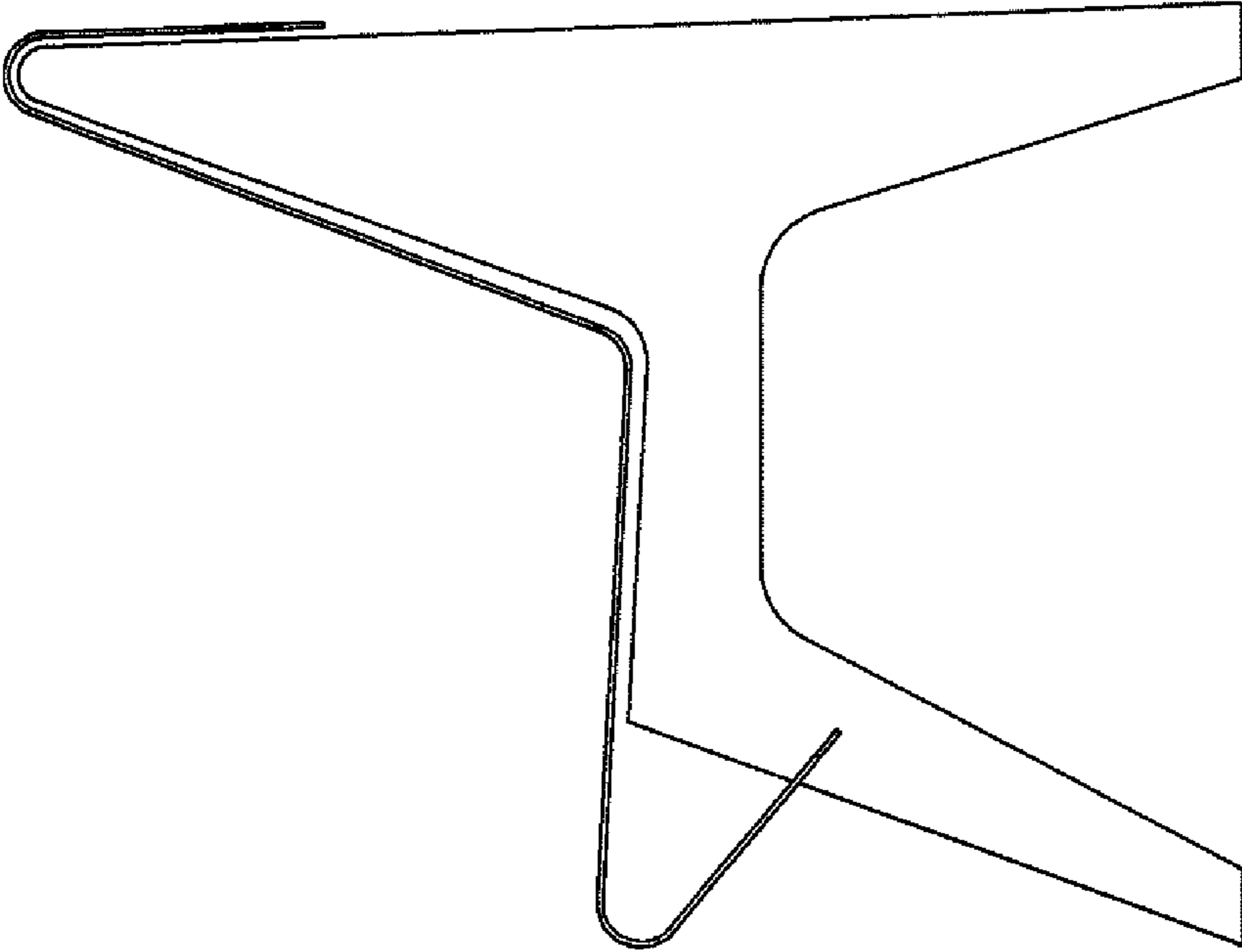


FIGURE 3

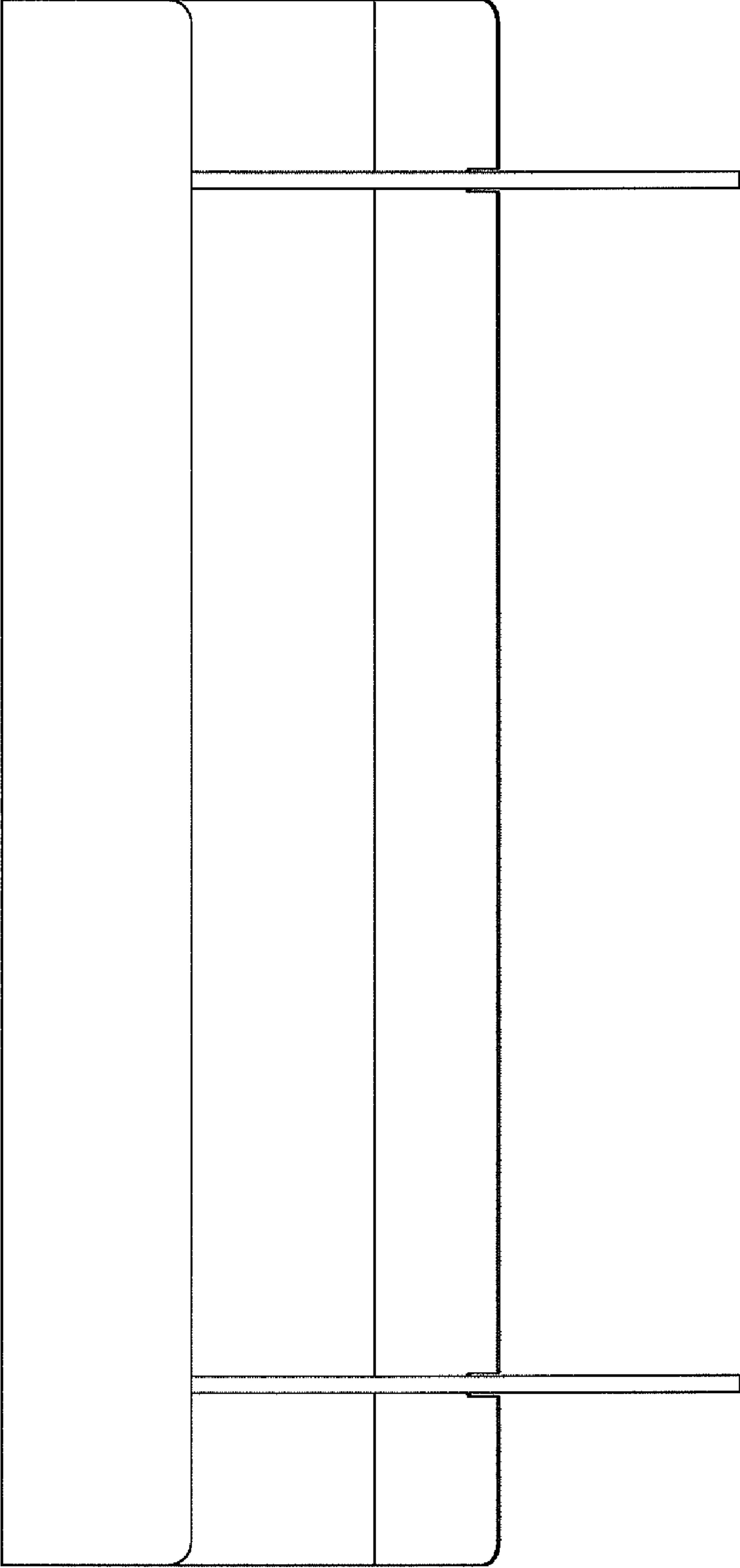


FIGURE 4

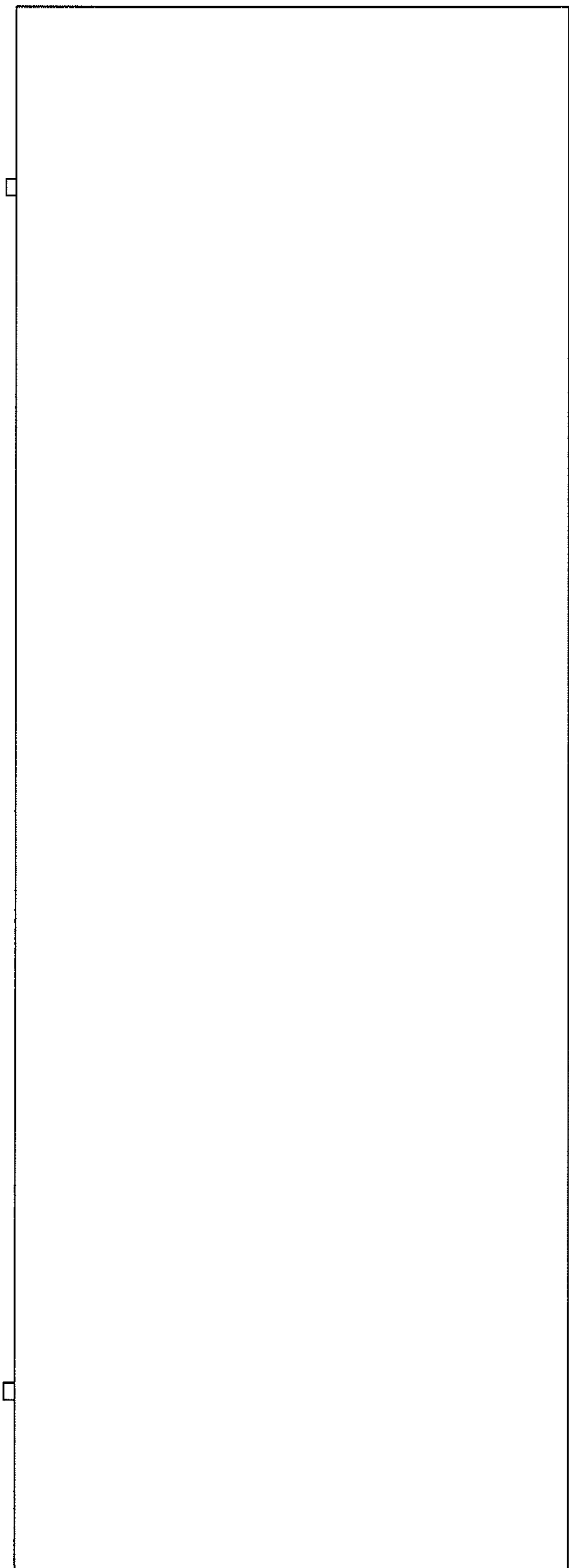


FIGURE 5

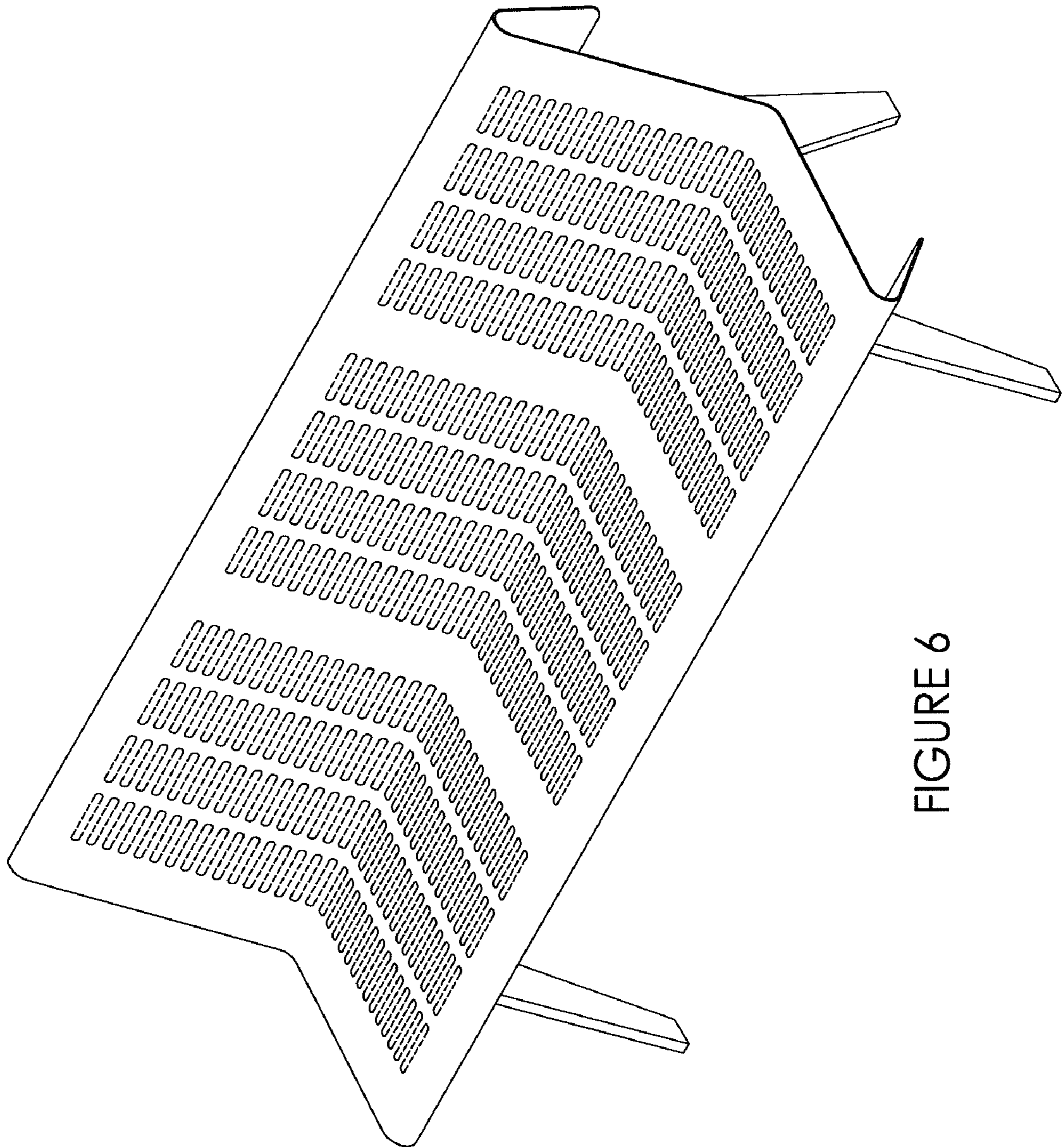


FIGURE 6

UNITED STATES PATENT AND TRADEMARK OFFICE
CERTIFICATE OF CORRECTION

PATENT NO. : Des. 577,927 S
APPLICATION NO. : 29/304205
DATED : October 7, 2008
INVENTOR(S) : Balsley

Page 1 of 1

It is certified that error appears in the above-identified patent and that said Letters Patent is hereby corrected as shown below:

Title Page;
In the description:

Delete "concurrently filed application Serial No. 29/305,204." and insert
-- concurrently filed application Serial No. 29/304,204. --

Signed and Sealed this

Thirtieth Day of December, 2008

A handwritten signature in black ink that reads "Jon W. Dudas". The signature is written in a cursive style with a large, looped initial "J".

JON W. DUDAS

Director of the United States Patent and Trademark Office