



US00D577926S

(12) **United States Design Patent**
Marin et al.

(10) **Patent No.:** **US D577,926 S**
(45) **Date of Patent:** **** Oct. 7, 2008**

(54) **MODULAR COUCH**

(75) Inventors: **Marco Marin**, Venice (IT); **Alfredo Chiaramonte**, Pordenone (IT)

(73) Assignee: **EMU Group S.p.A.**, Marsciano (IT)

(**) Term: **14 Years**

(21) Appl. No.: **29/249,469**

(22) Filed: **Oct. 7, 2006**

(51) **LOC (8) Cl.** **06-01**

(52) **U.S. Cl.** **D6/381**

(58) **Field of Classification Search** D6/334,
D6/335, 337, 341, 349, 353, 354, 377, 367-369,
D6/381, 383, 492, 500-502; 5/12.1, 12.2;
297/16.1, 16.2, 245, 283.2, 353, 354.1, 445.1,
297/448.1

See application file for complete search history.

(56) **References Cited**

U.S. PATENT DOCUMENTS

2,793,685	A *	5/1957	Spitz	297/411.27
D259,601	S *	6/1981	Marks	D6/334
D289,831	S *	5/1987	Leib	D6/334
D310,143	S *	8/1990	Hopfer	D6/381
D313,893	S *	1/1991	Hopfer	D6/334
D327,174	S *	6/1992	Hopfer	D6/334
D336,377	S *	6/1993	Gibson	D6/334
D336,787	S *	6/1993	Gibson	D6/334
5,520,437	A *	5/1996	LaPointe et al.	297/233
D390,017	S *	2/1998	Lewis	D6/334
D403,171	S *	12/1998	Gibson	D6/377
D403,874	S *	1/1999	Gohman	D6/377
D448,196	S *	9/2001	Gomez	D6/377
D484,713	S *	1/2004	Gomez	D6/381
6,824,220	B1 *	11/2004	Davison	297/440.14
D534,007	S *	12/2006	Nicoletti	D6/381
D544,233	S *	6/2007	Hutton	D6/378

* cited by examiner

Primary Examiner—Sandra Snapp

(74) *Attorney, Agent, or Firm*—Themis Intellectual Property Counsel

(57) **CLAIM**

We claim the ornamental design for a modular couch, as shown and described.

DESCRIPTION

FIG. 1 is a perspective front-left view of a first section of a modular couch showing our new design;

FIG. 2 is a front elevational view of the first section of the modular couch;

FIG. 3 is a perspective front-left view of a second section of the modular couch;

FIG. 4 is a perspective front-left view of a third section of the modular couch;

FIG. 5 is a left side elevational view of the second section of the modular couch, the right side elevational view being the same as the left side elevational view;

FIG. 6 is a perspective front-left view of the modular couch having the first, second, and third sections adjoined laterally, a back and a seat cushions being disposed on each of the first and second sections;

FIG. 7 is a perspective rear-left view of the modular couch of FIG. 6, a back and a seat cushions being disposed on each of the first and second sections;

FIG. 8 is a perspective front-left view of the modular couch having the second section adjoined laterally to the first section and the third section adjoined frontally to the second section;

FIG. 9 is a perspective front-left view of the modular couch of FIG. 8, a back and a seat cushions being disposed on each of the first, second, and third sections;

FIG. 10 is a perspective front-right view of the modular couch of FIG. 8;

FIG. 11 is a perspective front-right view of the modular couch of FIG. 9;

FIG. 12 is a perspective rear-left view of the modular couch of FIG. 8;

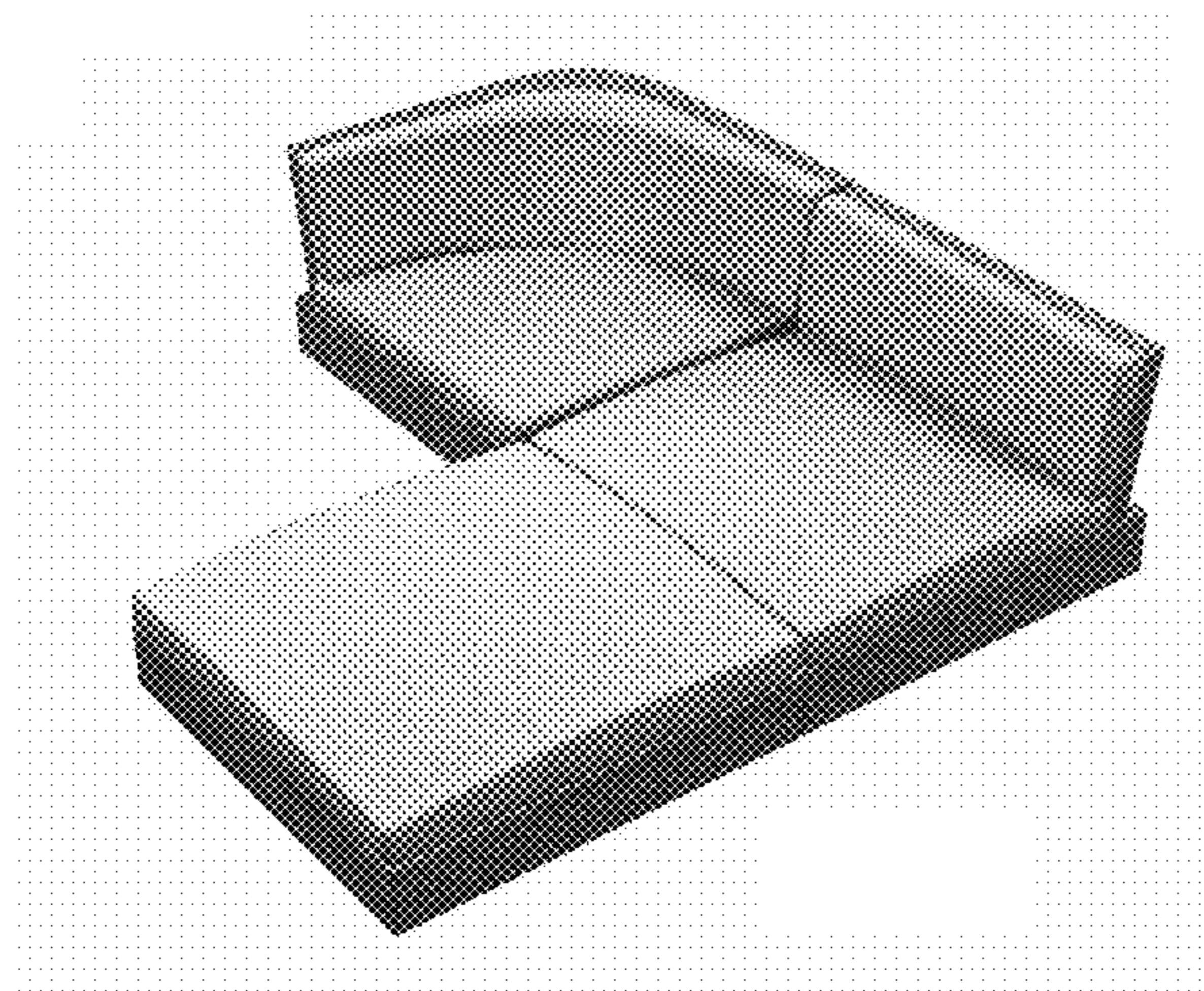


FIG. 13 is a perspective rear-left view of the modular couch of FIG. 9;

FIG. 14 is a top plan view of the modular couch of FIG. 8;

FIG. 15 is a top plan view of the modular couch of FIG. 9;

FIG. 16 is a perspective rear-right view of the modular couch of FIG. 9;

FIG. 17 is a perspective bottom view of the modular couch of FIG. 9;

FIG. 18 is a front elevational view of the modular couch having the first and second sections adjoined laterally;

FIG. 19 is a front elevational view of the modular couch of FIG. 18, a back and a seat cushions being disposed on each of the first and second sections;

FIG. 20 is a rear elevational view of the modular couch of FIG. 18;

FIG. 21 is a front elevational view of the modular couch having the third and first sections adjoined laterally, a back and a seat cushions being disposed on the first section, a seat cushion being disposed on the third section, the first section being rotated 90 degrees with respect to the disposition of the first section in FIG. 19;

FIG. 22 is a rear elevational view of the modular couch of FIG. 21; and,

FIG. 23 is a rear elevational view of the modular couch of FIG. 21 without cushions disposed thereon.

1 Claim, 9 Drawing Sheets

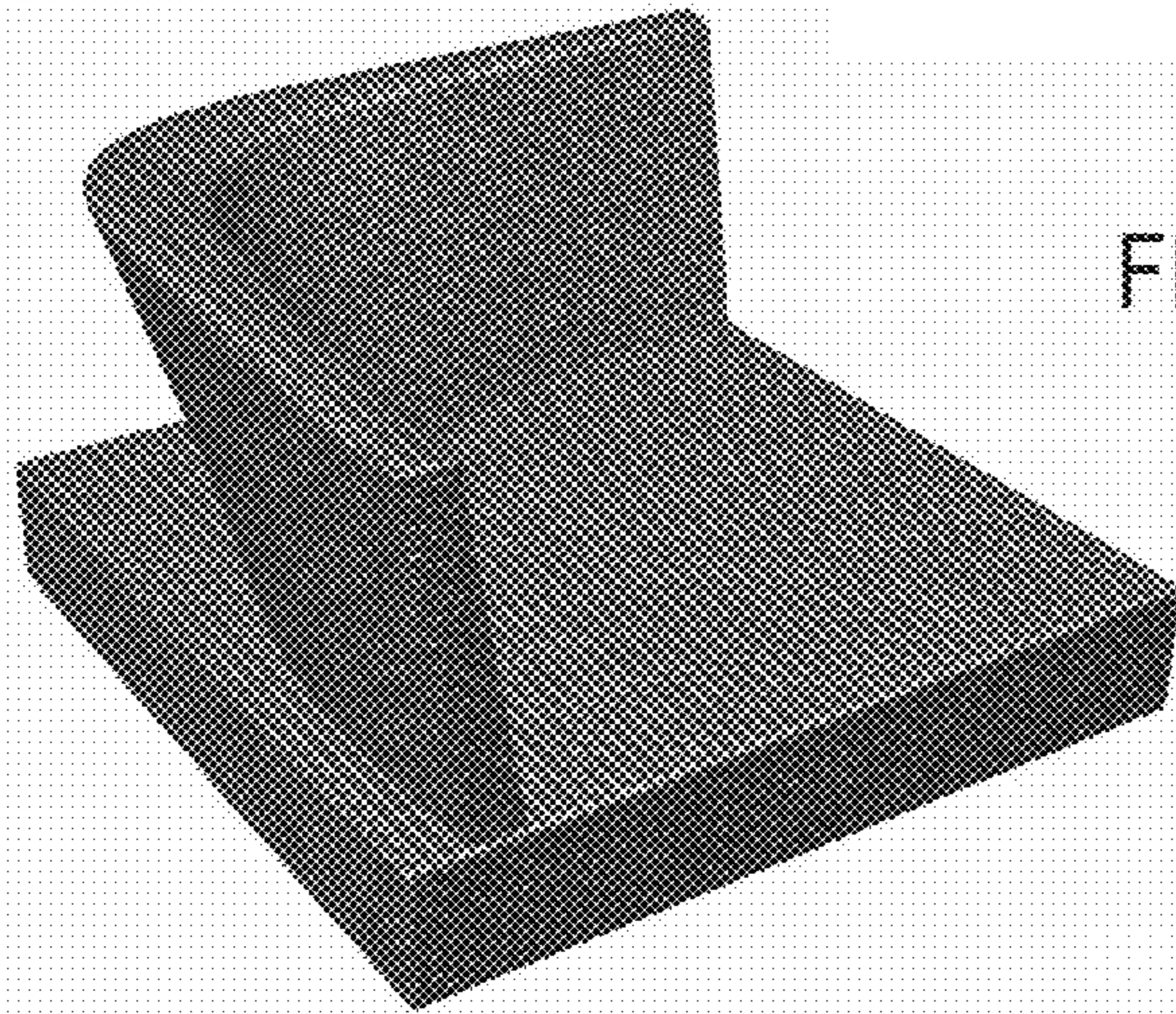


FIG. 1

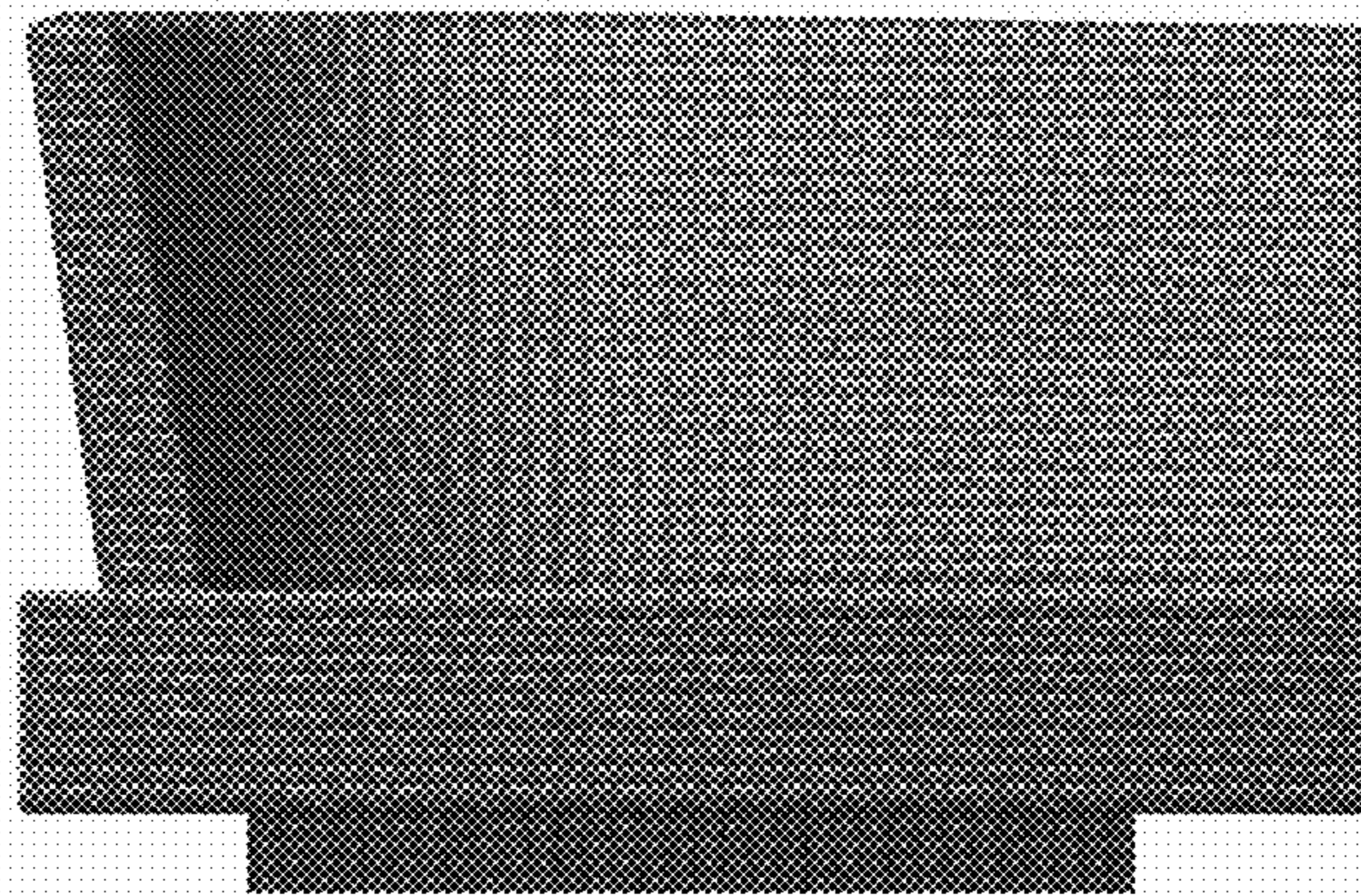


FIG. 2

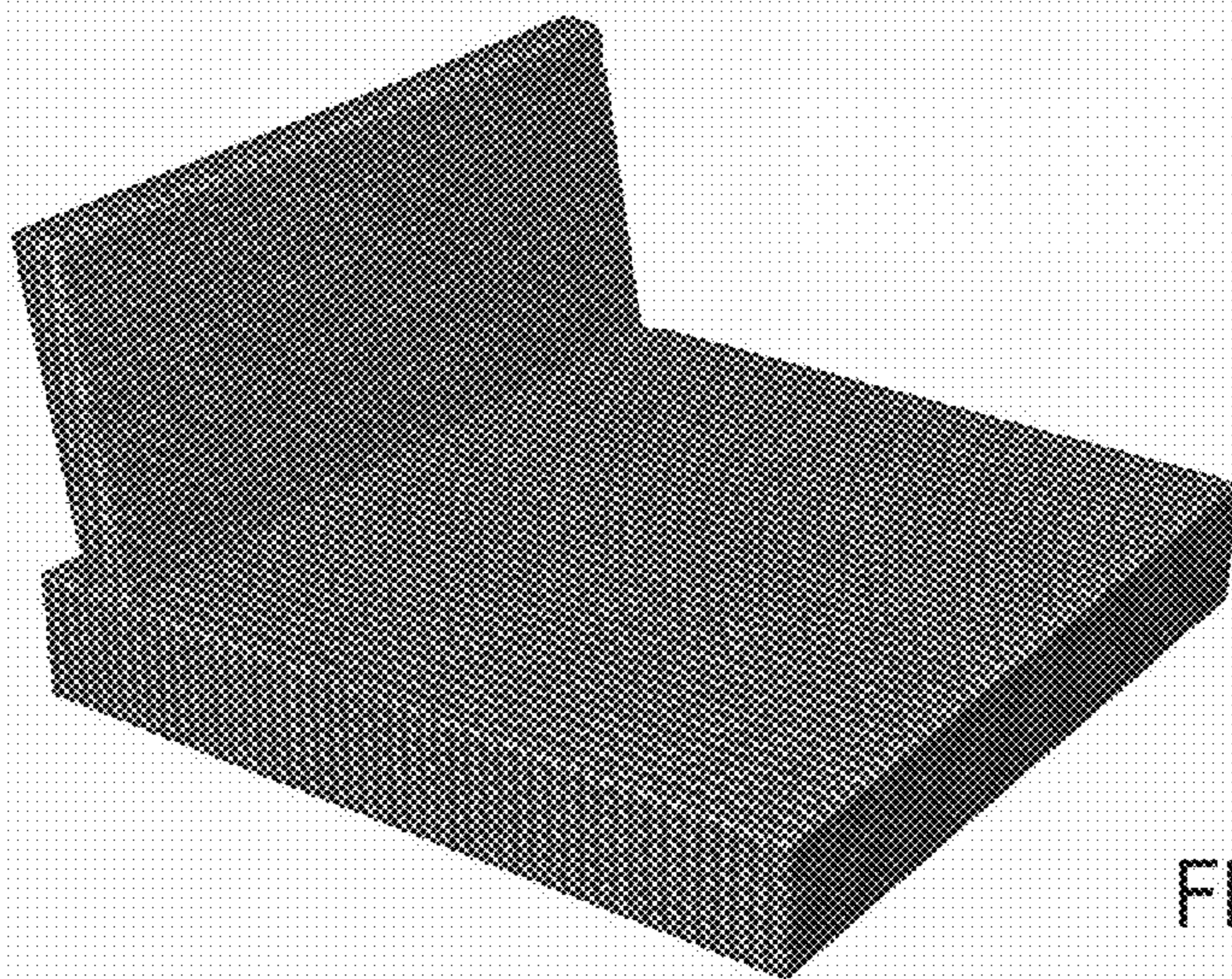


FIG. 3

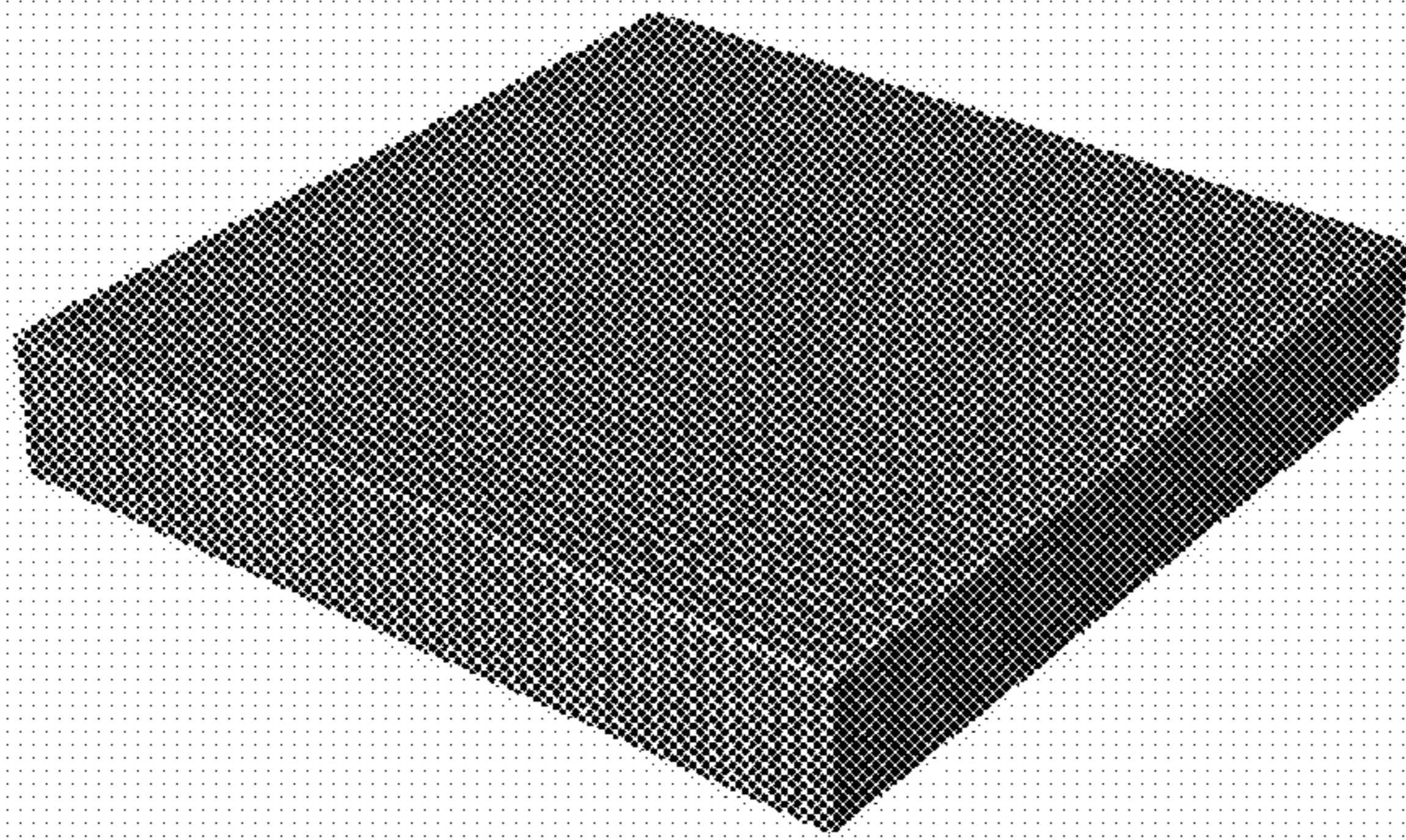


FIG. 4



FIG. 5

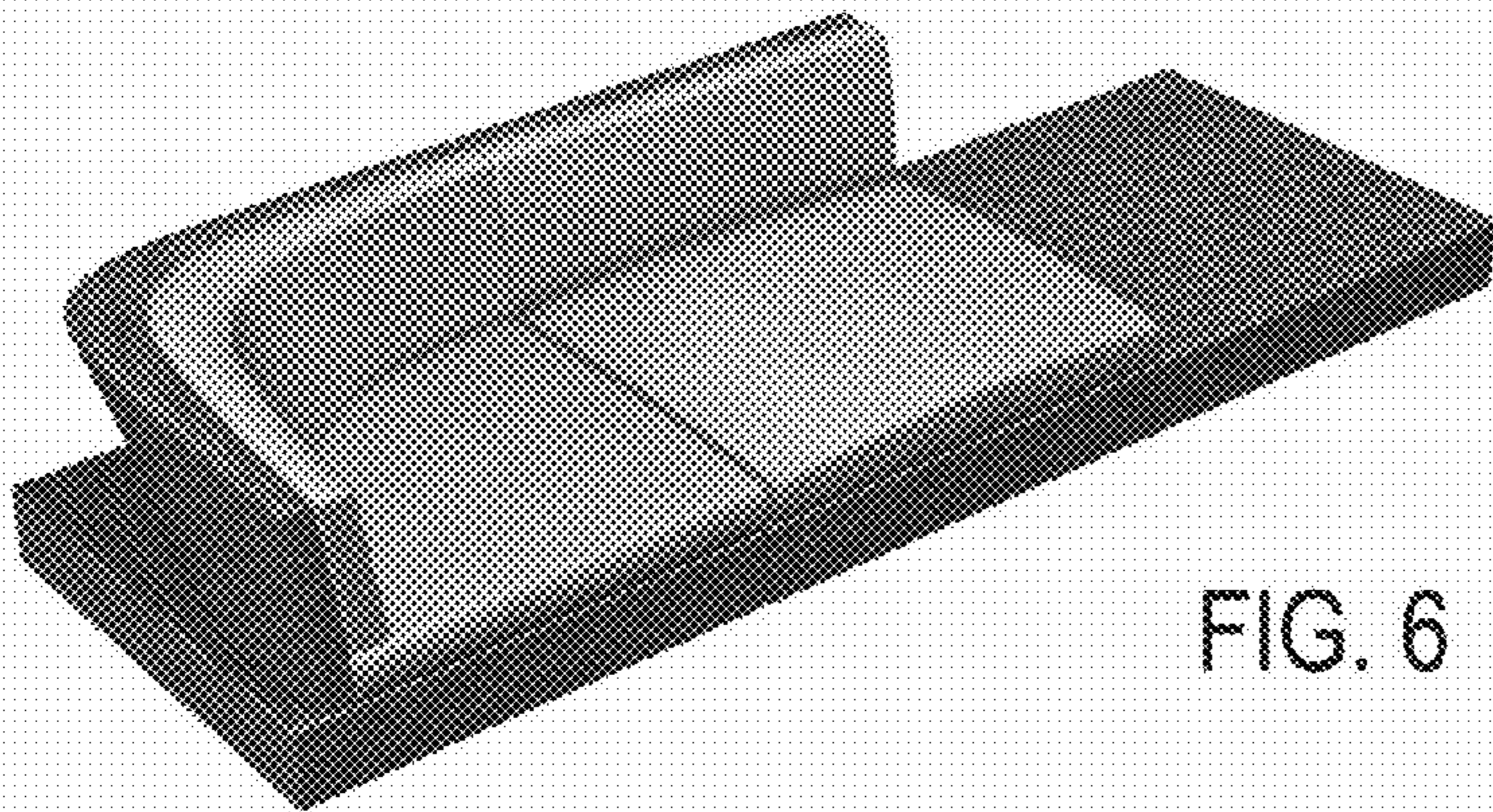


FIG. 6

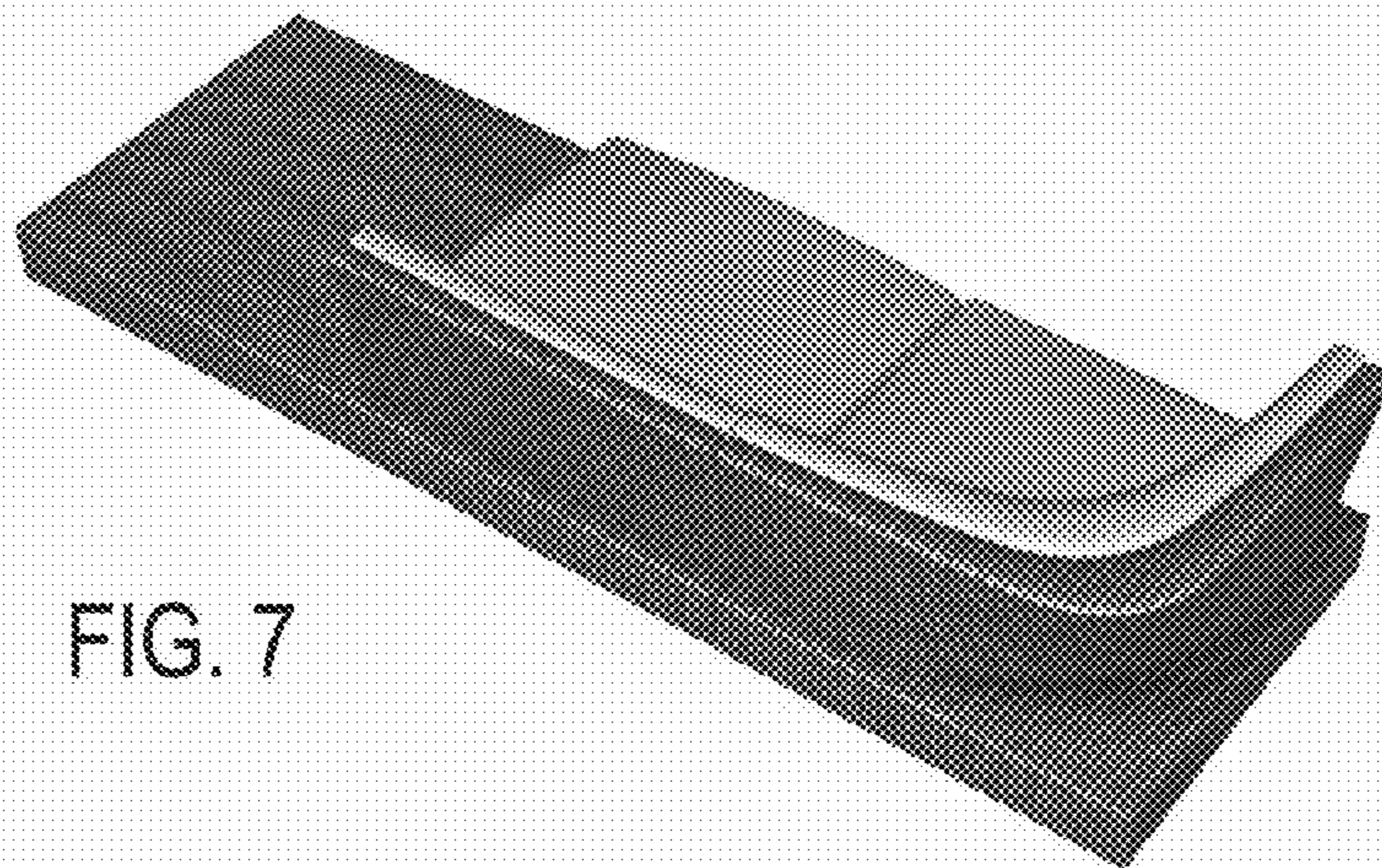


FIG. 7

FIG. 8

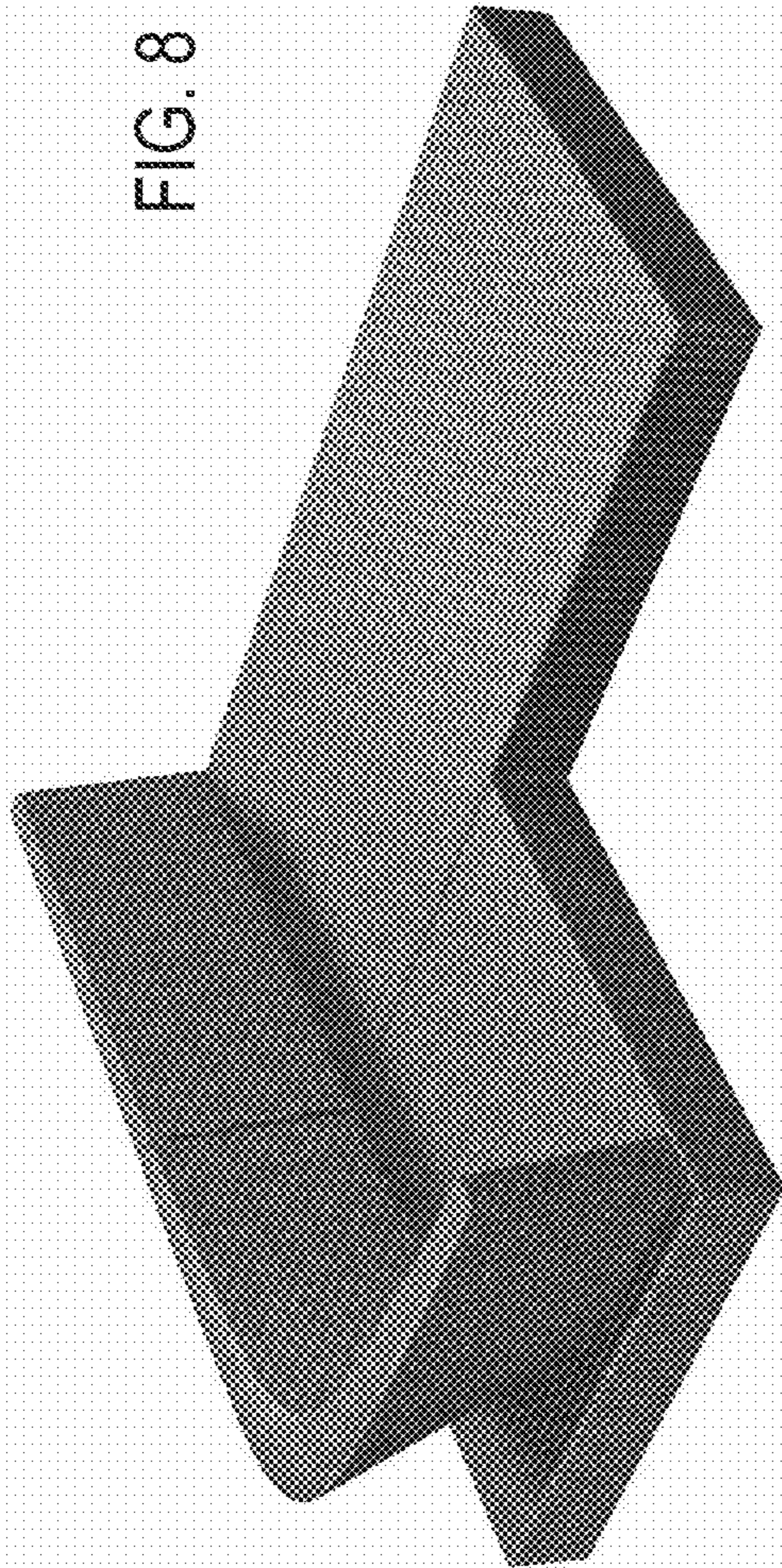
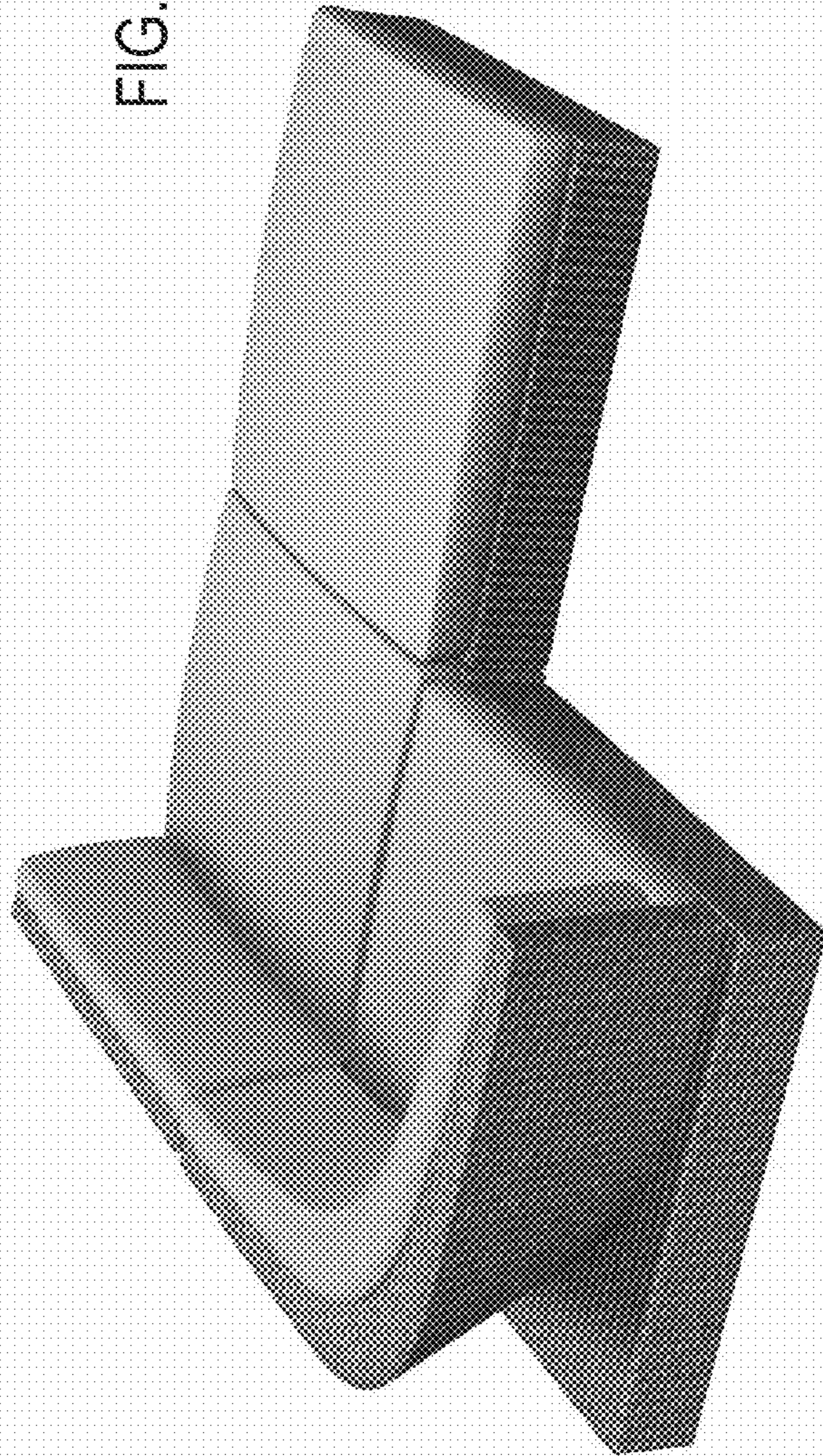
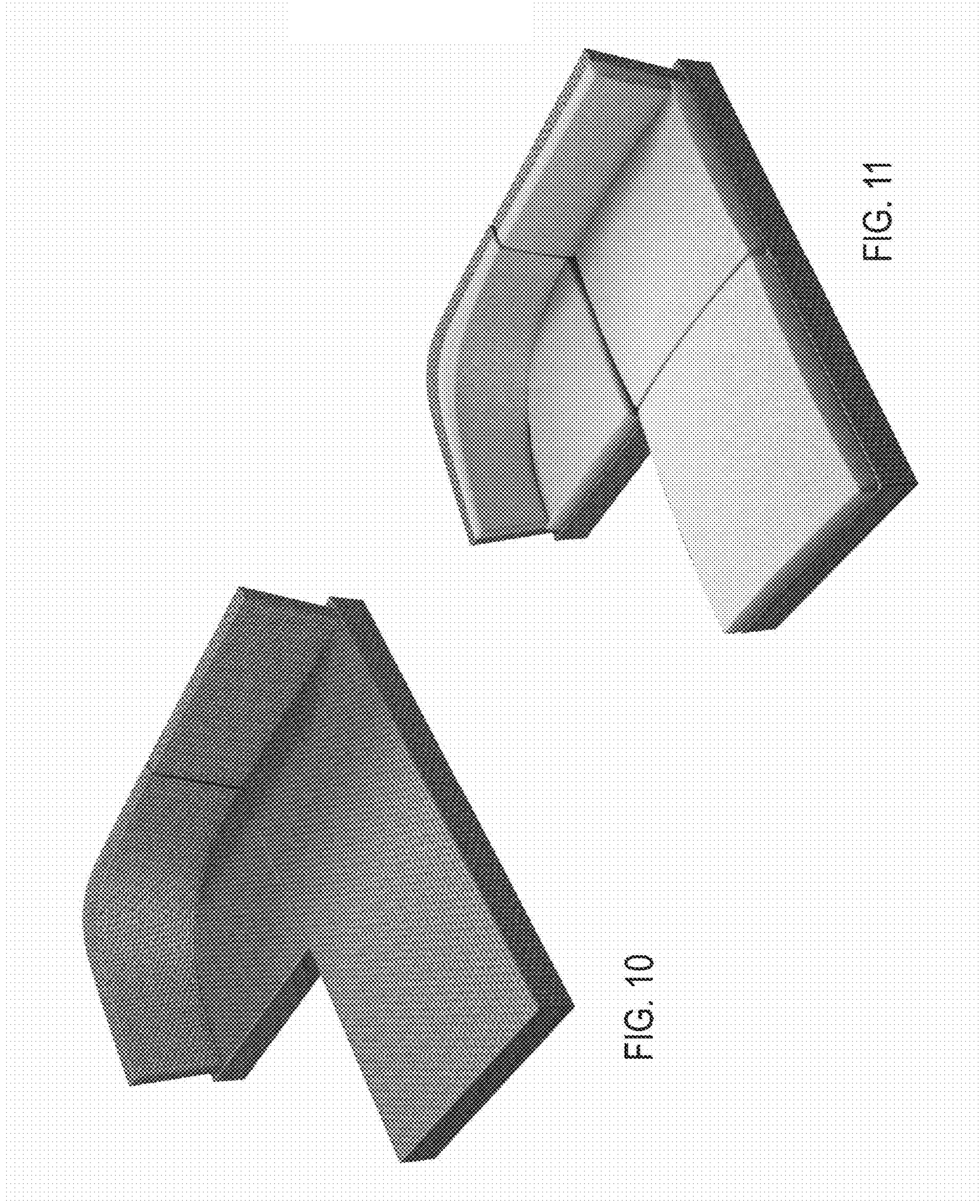


FIG. 9





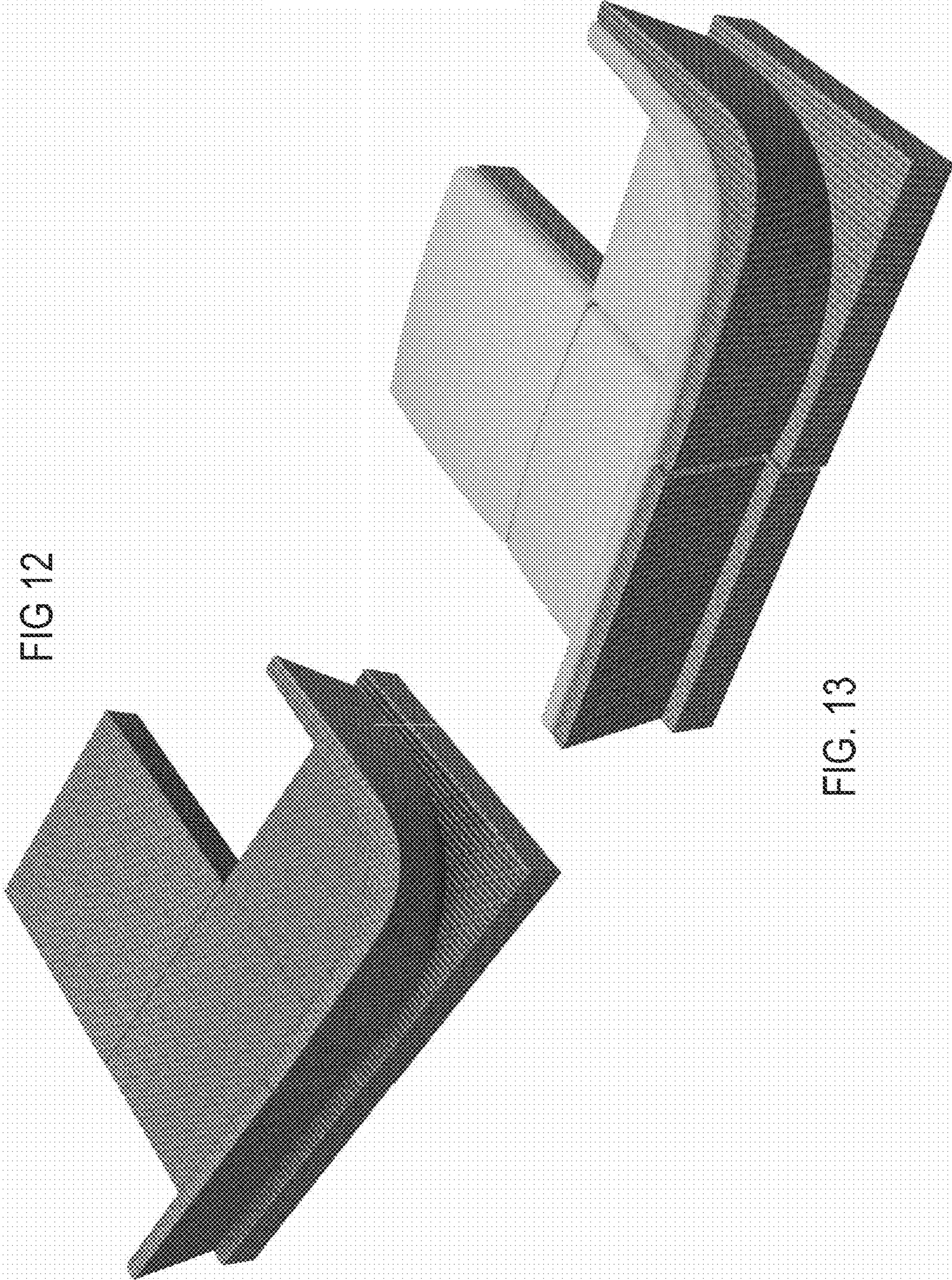


FIG. 12

FIG. 13

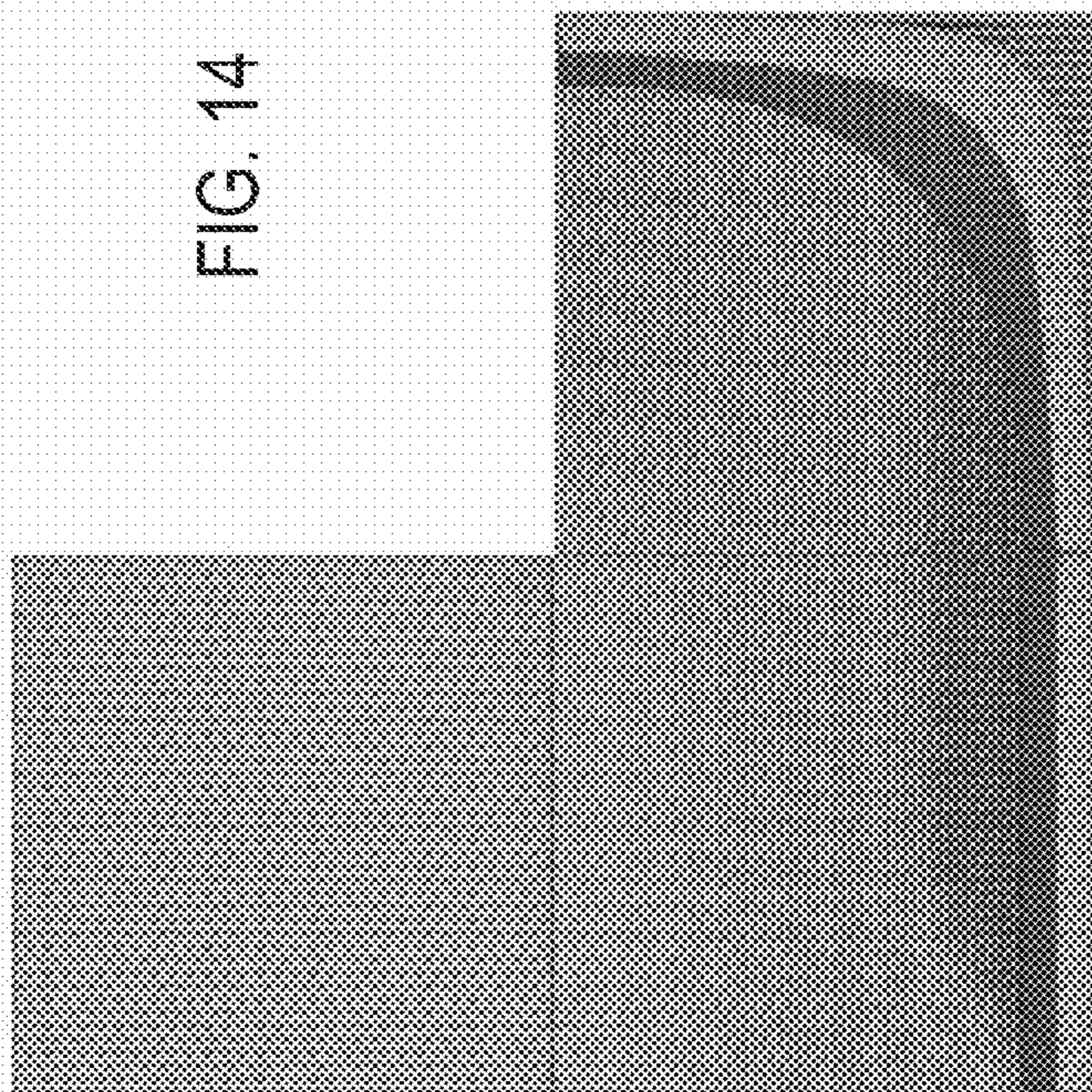


FIG. 14

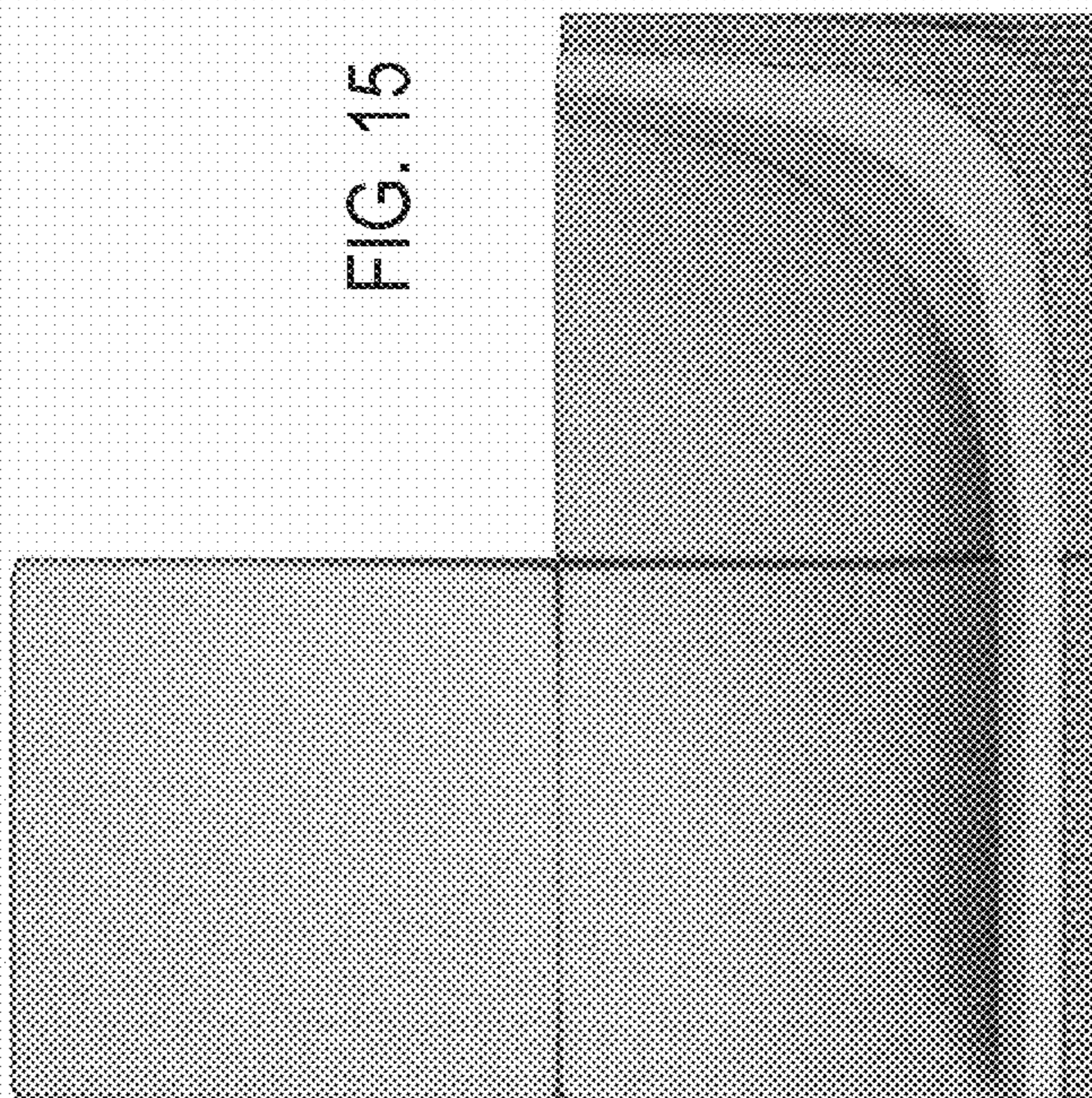


FIG. 15

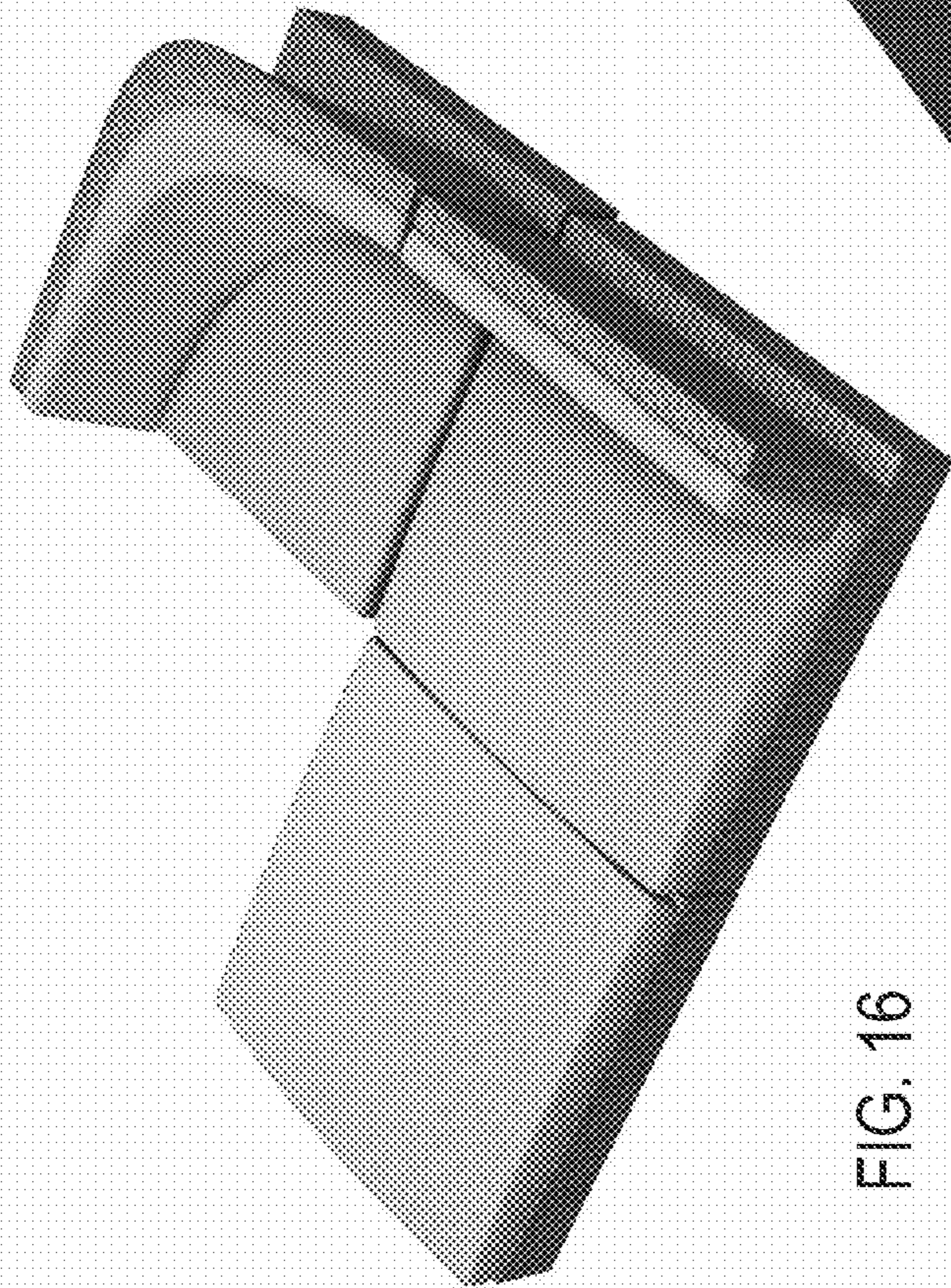


FIG. 16

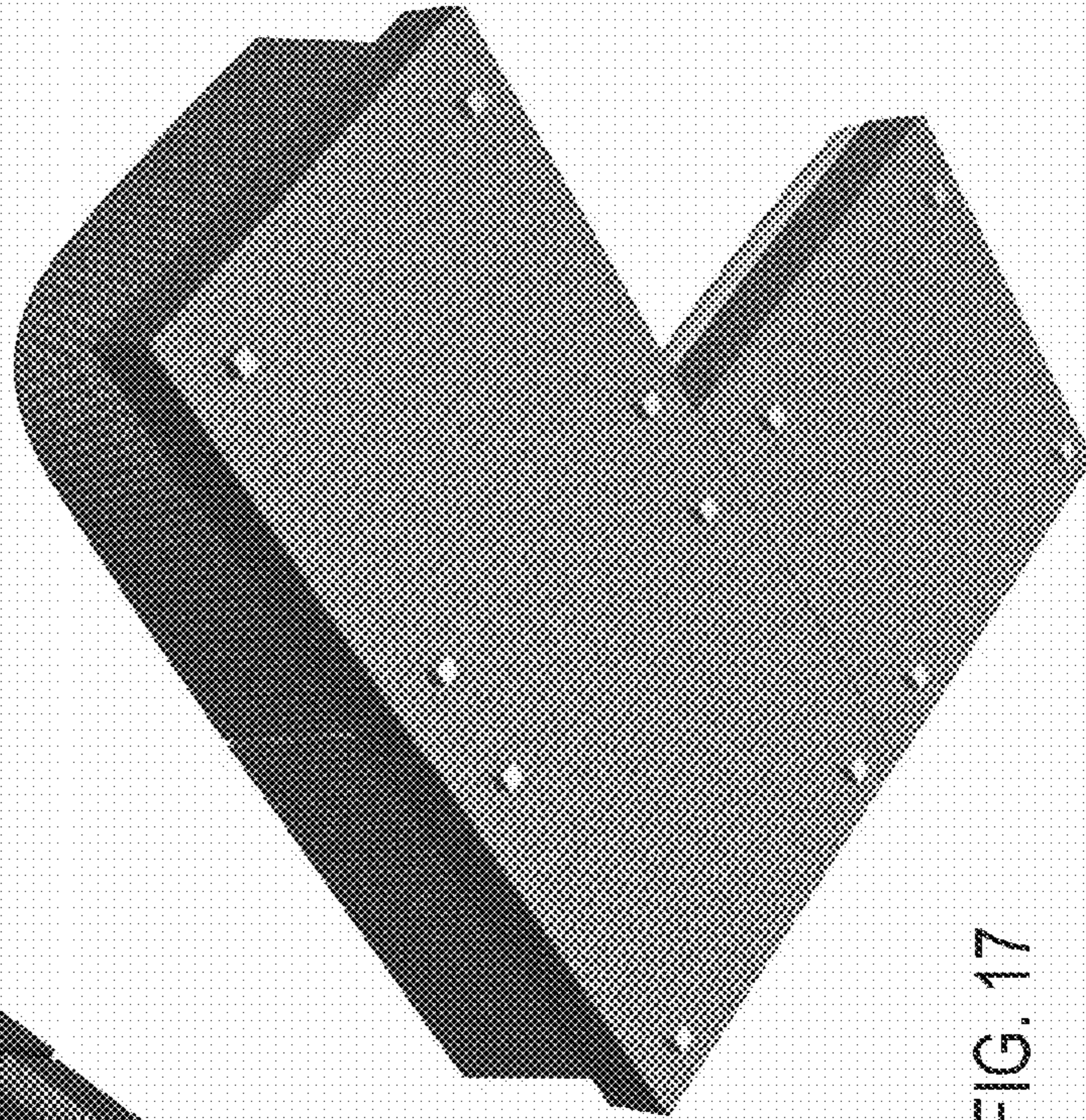


FIG. 17

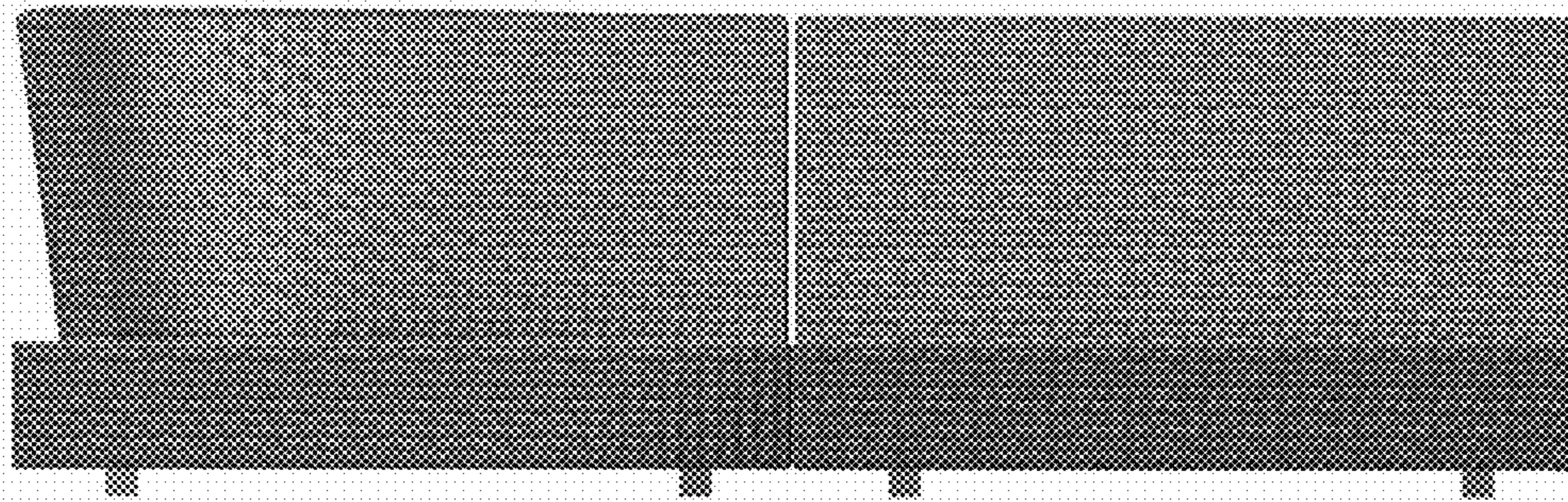


FIG. 18

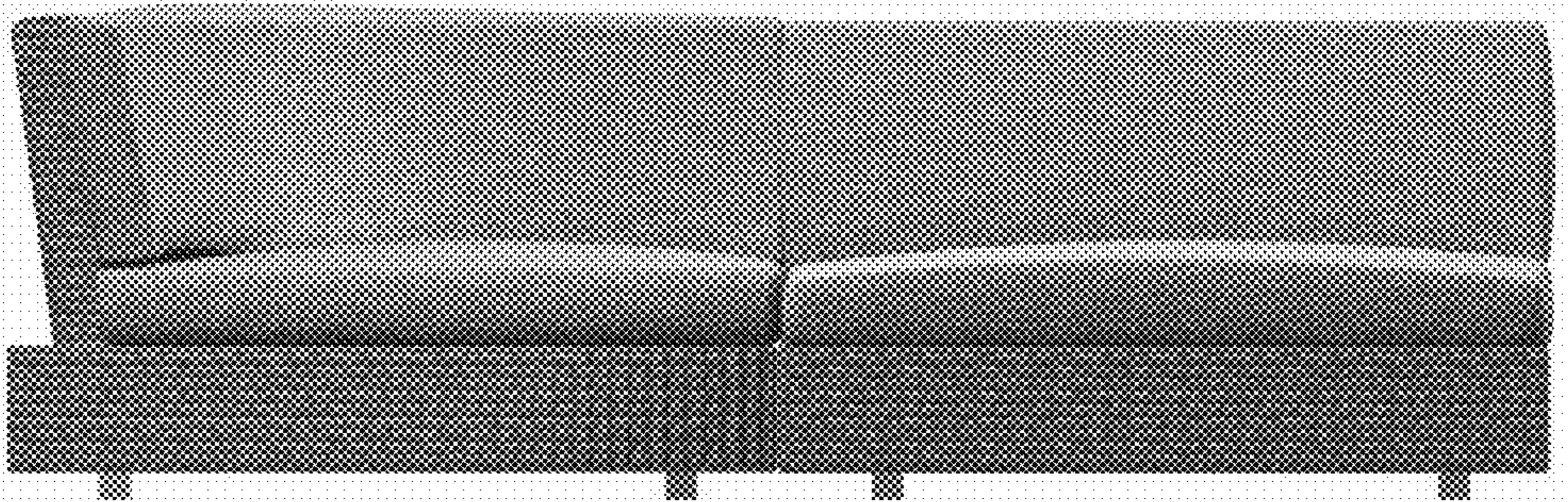


FIG. 19

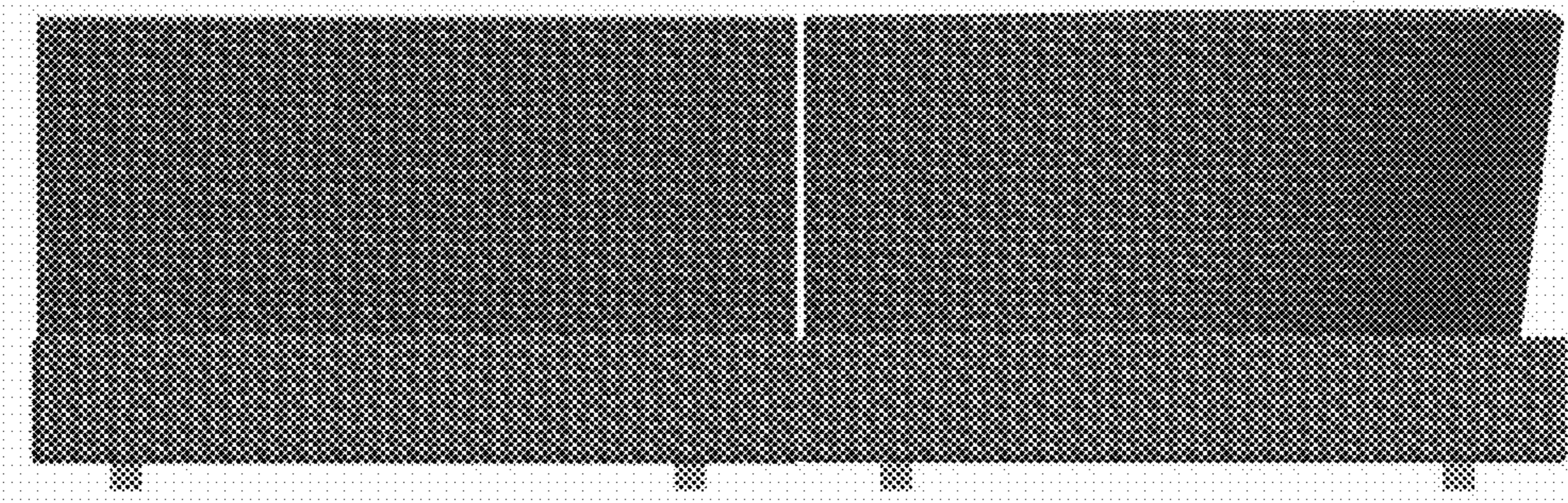


FIG. 20

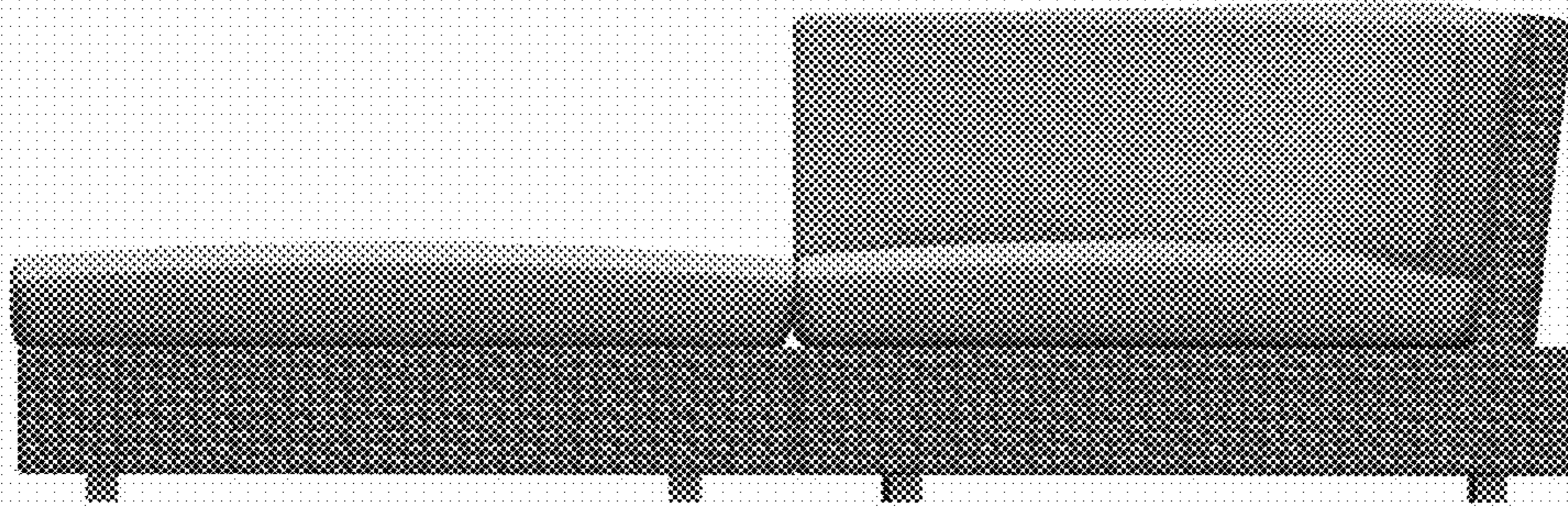


FIG. 21

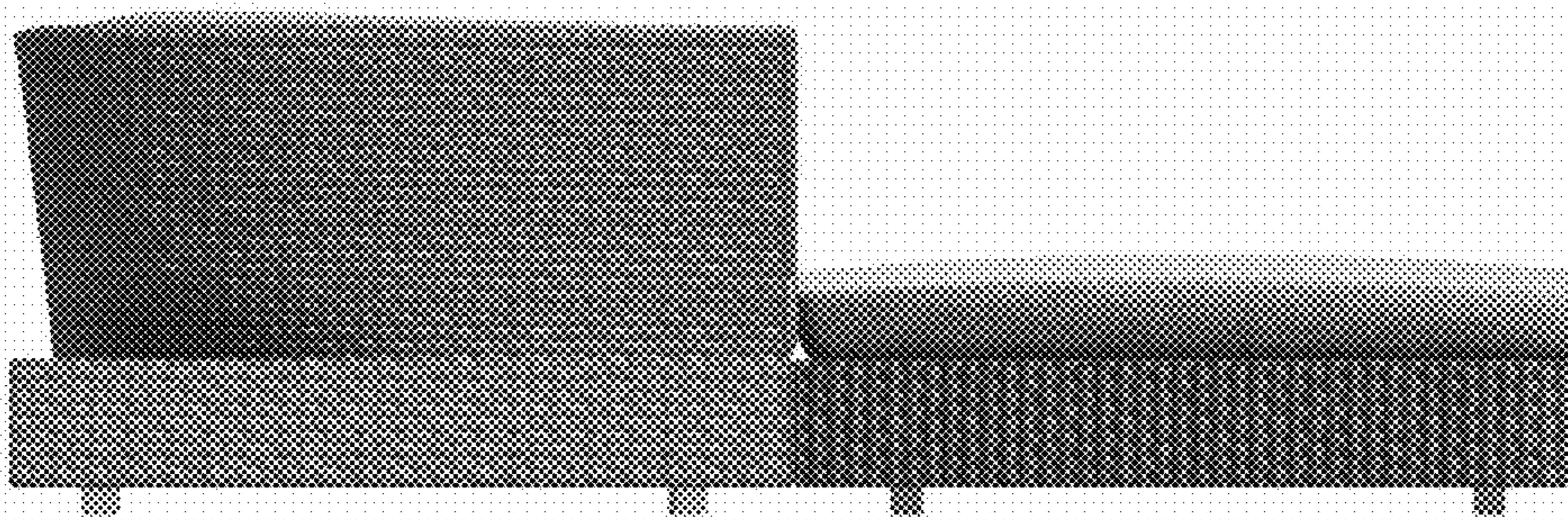


FIG. 22

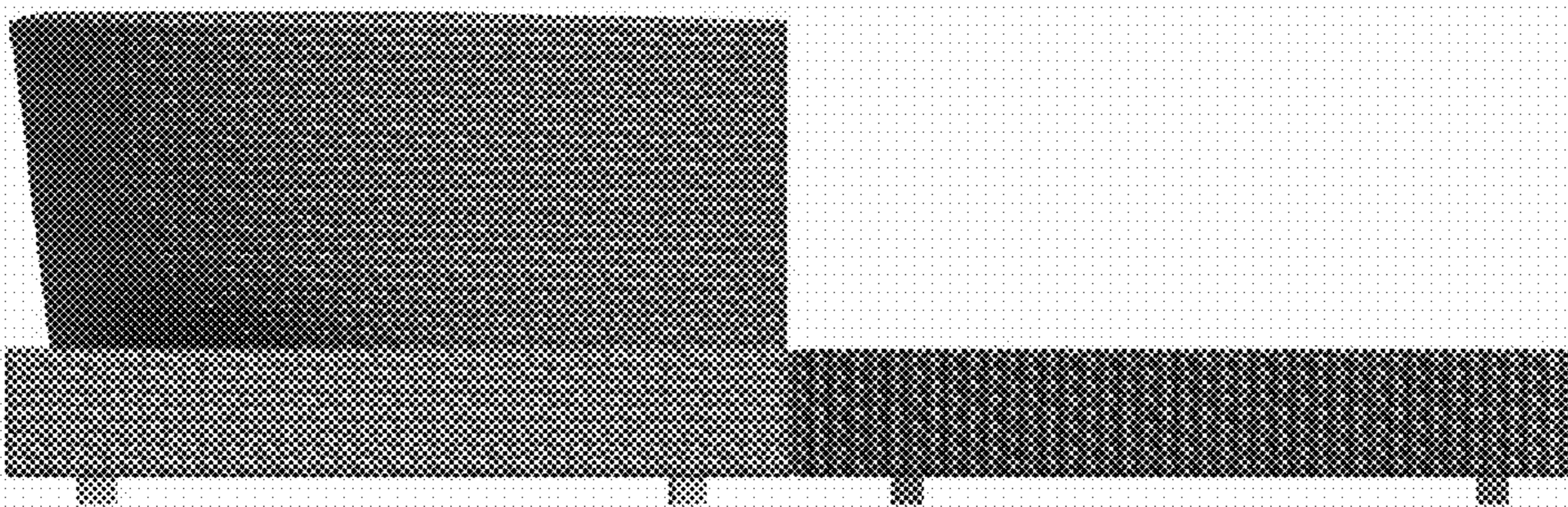


FIG. 23