

US00D577923S

(12) **United States Design Patent**
Kita

(10) **Patent No.:** **US D577,923 S**

(45) **Date of Patent:** **** Oct. 7, 2008**

(54) **MESSAGE CHAIR**

(75) Inventor: **Toshiyuki Kita**, Nishinomiya (JP)

(73) Assignee: **Family Co. Ltd**, Osaka-shi (JP)

(**) Term: **14 Years**

(21) Appl. No.: **29/301,767**

(22) Filed: **Mar. 13, 2008**

(30) **Foreign Application Priority Data**

Oct. 15, 2007 (JP) 2007-028087
Oct. 15, 2007 (JP) 2007-028088

(51) **LOC (8) Cl.** **06-01**

(52) **U.S. Cl.** **D6/367**

(58) **Field of Classification Search** D6/334-336,
D6/360, 361, 367, 371, 373, 379, 500-502;
297/68, 271.1, 271.2, 271.3, 353, 354.1,
297/411.45, 423.19, 423.3; 601/49, 57-59,
601/86, 97-99, 102, 115, 116, 148, 149
See application file for complete search history.

(56) **References Cited**

U.S. PATENT DOCUMENTS

D491,375 S * 6/2004 Yuyama D6/335
D502,607 S * 3/2005 Miyake et al. D6/335
D502,817 S * 3/2005 Inada et al. D6/367
D517,338 S * 3/2006 Inada et al. D6/367
D536,189 S * 2/2007 Kita D6/367
D536,891 S * 2/2007 Miyake et al. D6/367
D536,895 S * 2/2007 Kawamura D6/367
D536,896 S * 2/2007 Kawamura D6/367

D537,262 S * 2/2007 Lifeng D6/367
D537,644 S * 3/2007 Kawamura D6/367
D537,645 S * 3/2007 Murata et al. D6/367
D538,056 S * 3/2007 Lifeng D6/367
D539,555 S * 4/2007 Kita D6/367
D544,224 S * 6/2007 Zhuo D6/367
D548,995 S * 8/2007 Ng D6/367
D550,468 S * 9/2007 Ng D6/367

* cited by examiner

Primary Examiner—Mimosa De

(74) *Attorney, Agent, or Firm*—Alleman Hall McCoy Russell
& Tuttle LLP

(57) **CLAIM**

The ornamental design for a massage chair, as shown and described.

DESCRIPTION

FIG. 1 is a front view of a design for a massage chair, of the present invention.

FIG. 2 is a top view of the massage chair of FIG. 1.

FIG. 3 is a bottom view of the massage chair of FIG. 1.

FIG. 4 is a left side view of the massage chair of FIG. 1.

FIG. 5 is a right side view of the massage chair of FIG. 1.

FIG. 6 is a perspective view of the massage chair of FIG. 1.

FIG. 7 is a front view of the massage chair of FIG. 1 showing the present article in a reclined state; and,

FIG. 8 is a left side view of the massage chair of FIG. 1 showing the present article with airbags inflated.

1 Claim, 4 Drawing Sheets

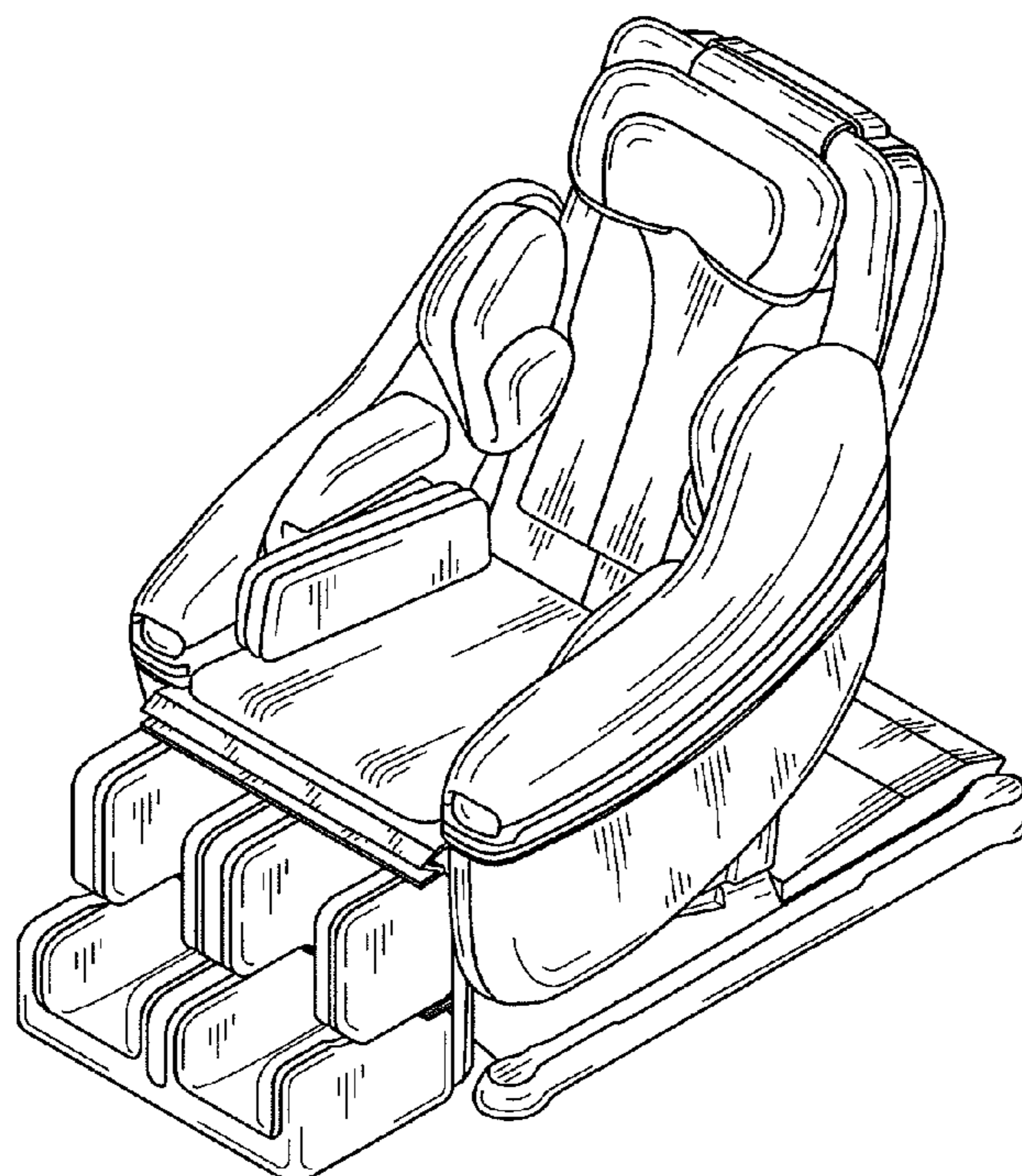


FIG. 1

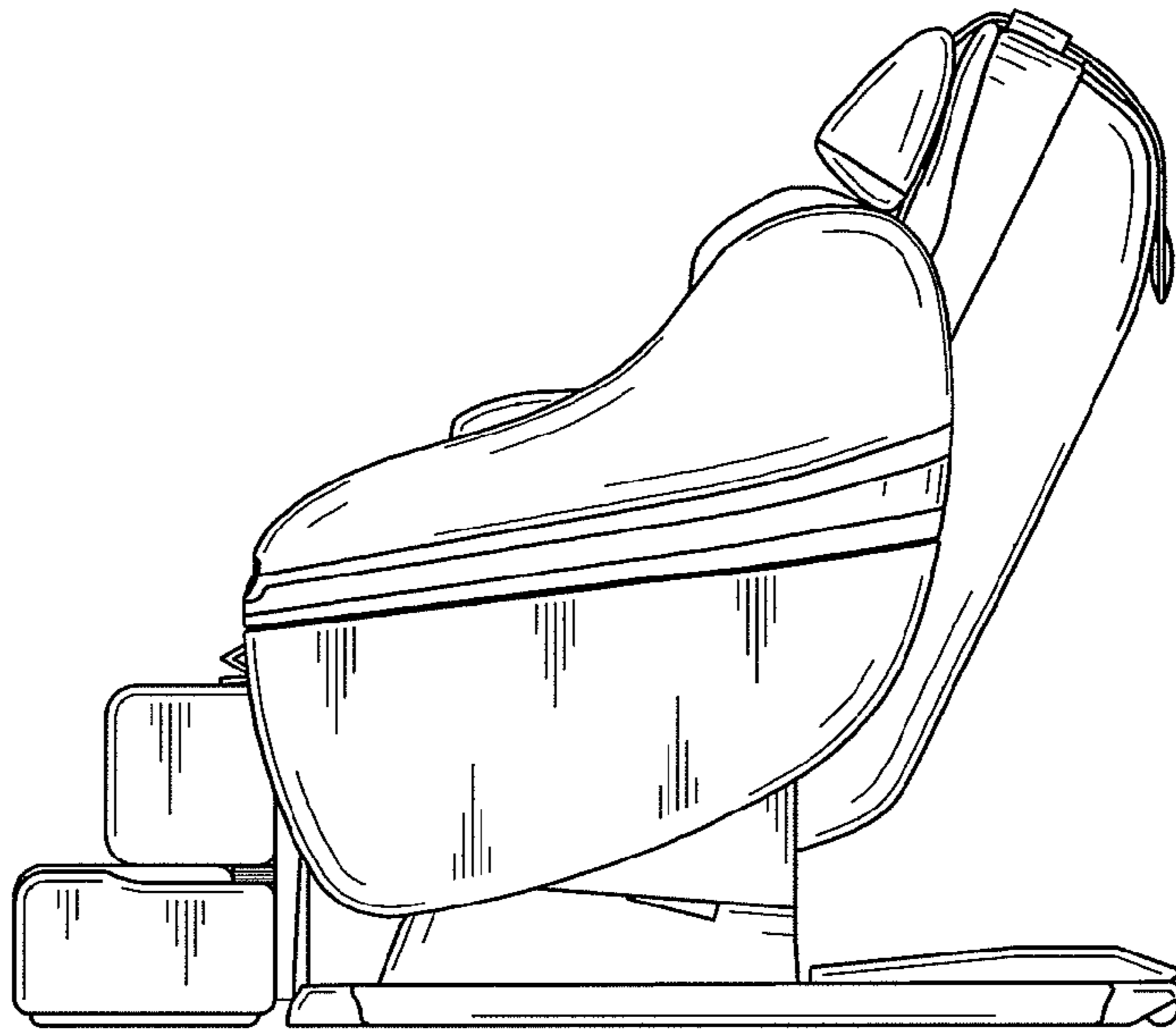


FIG. 2

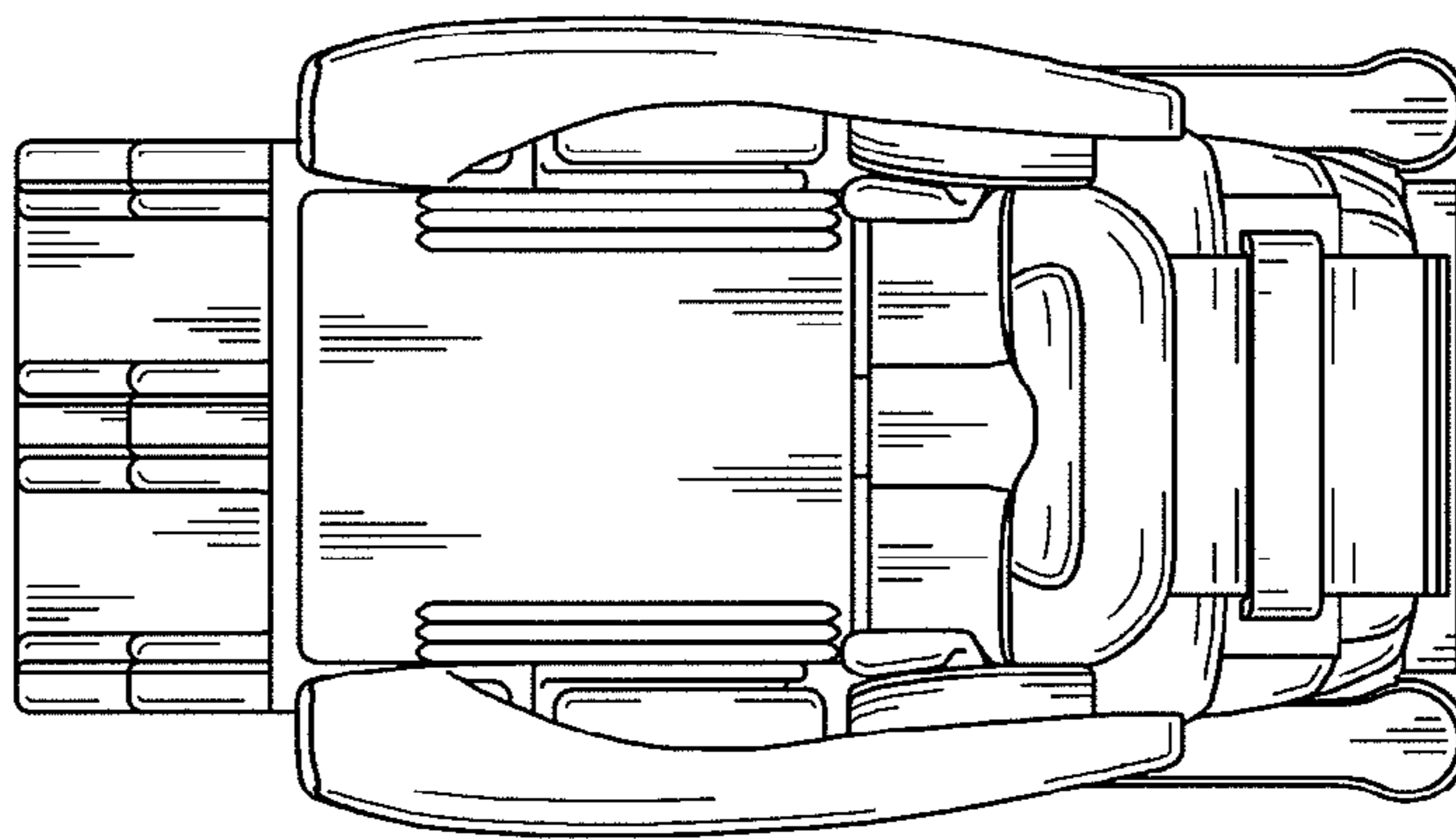
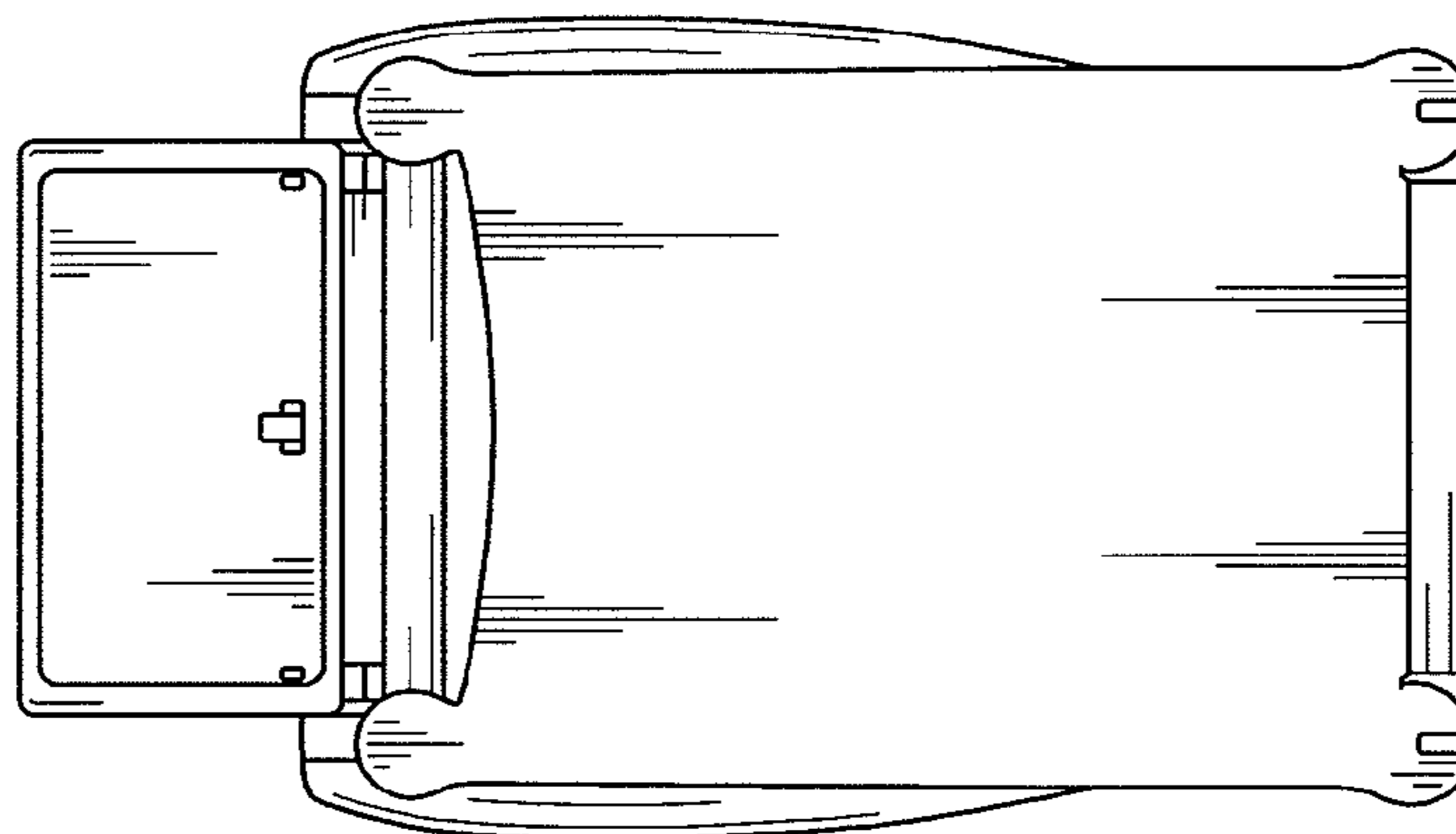


FIG. 3



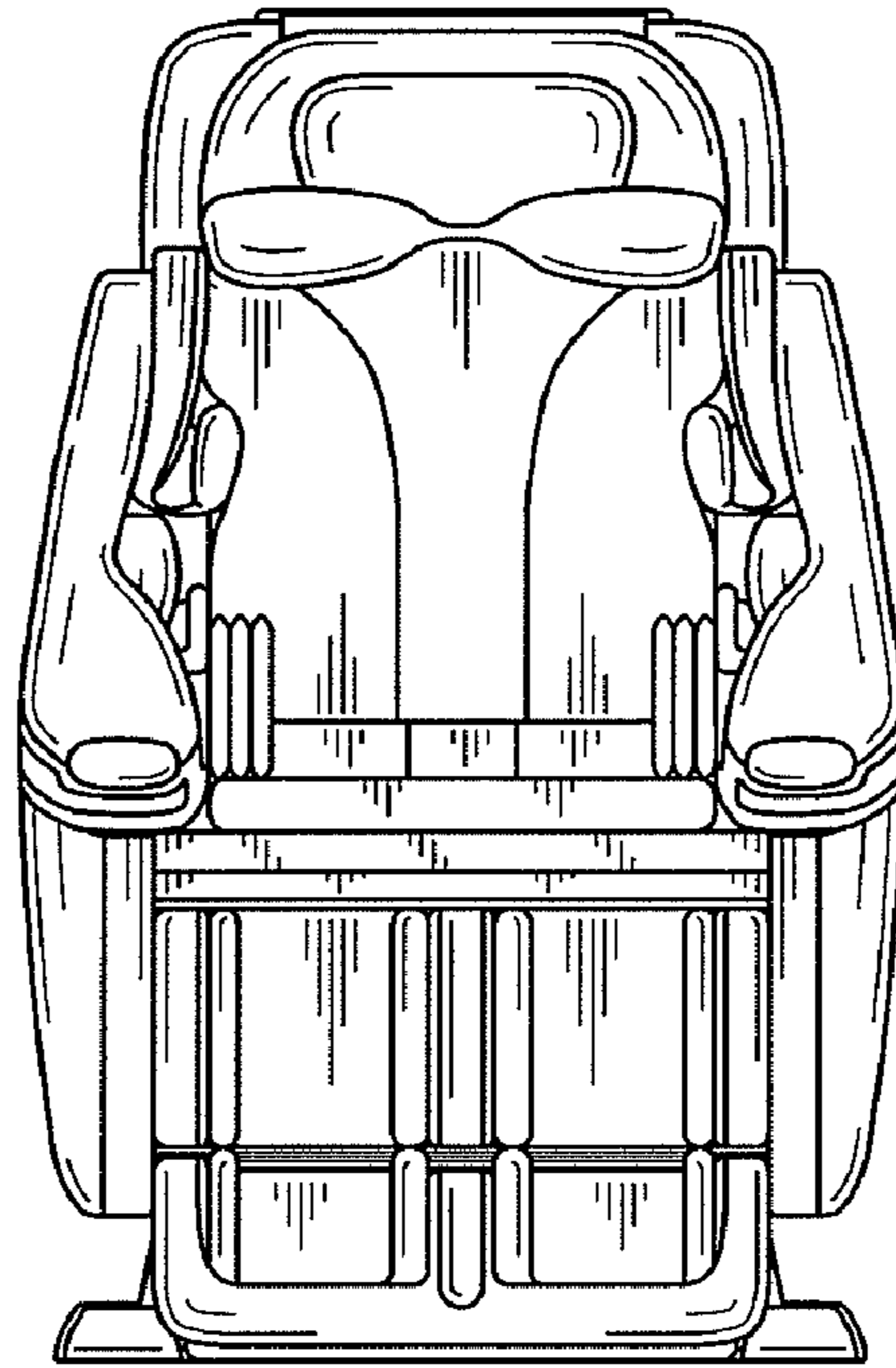


FIG. 4

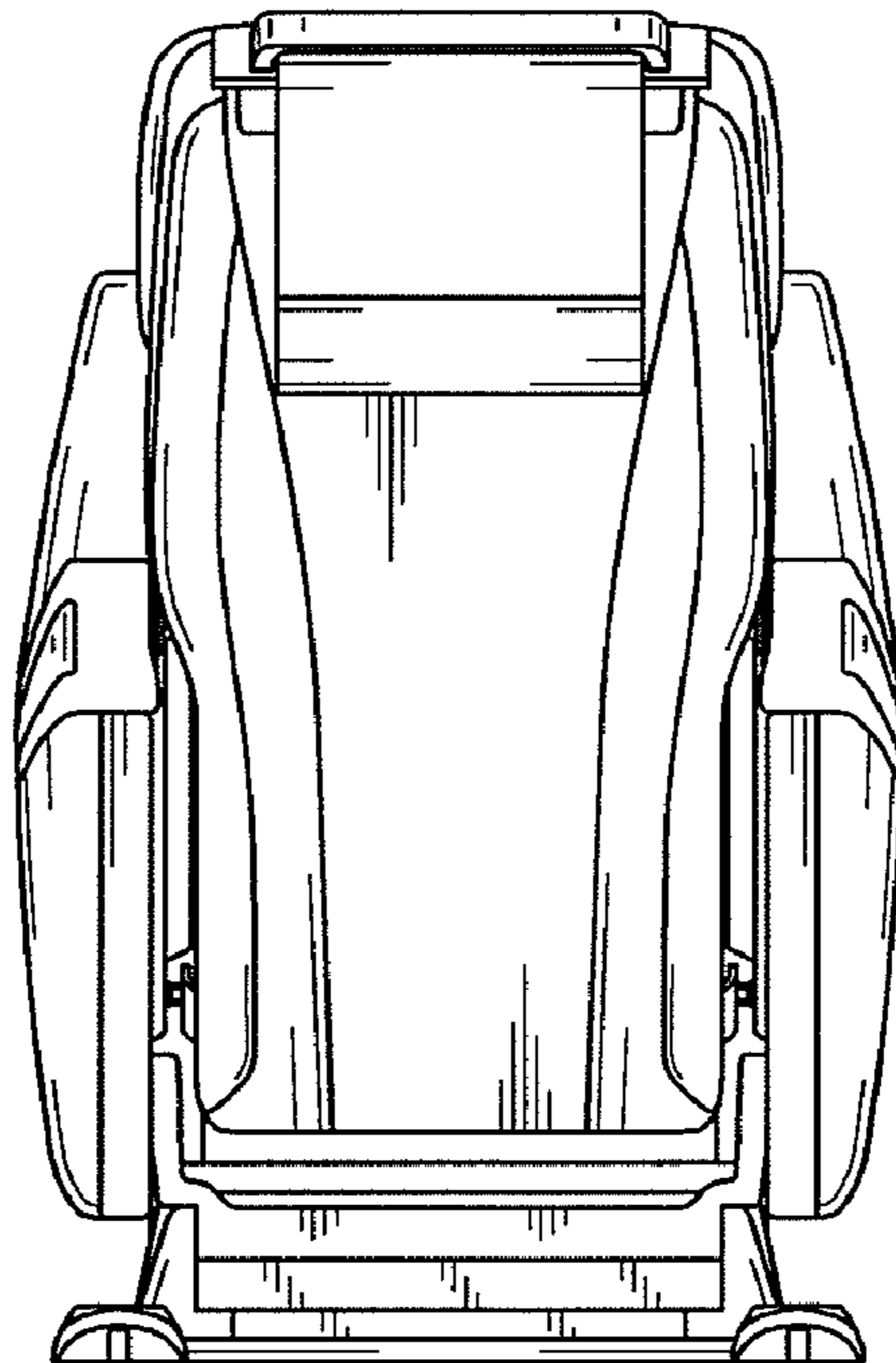


FIG. 5

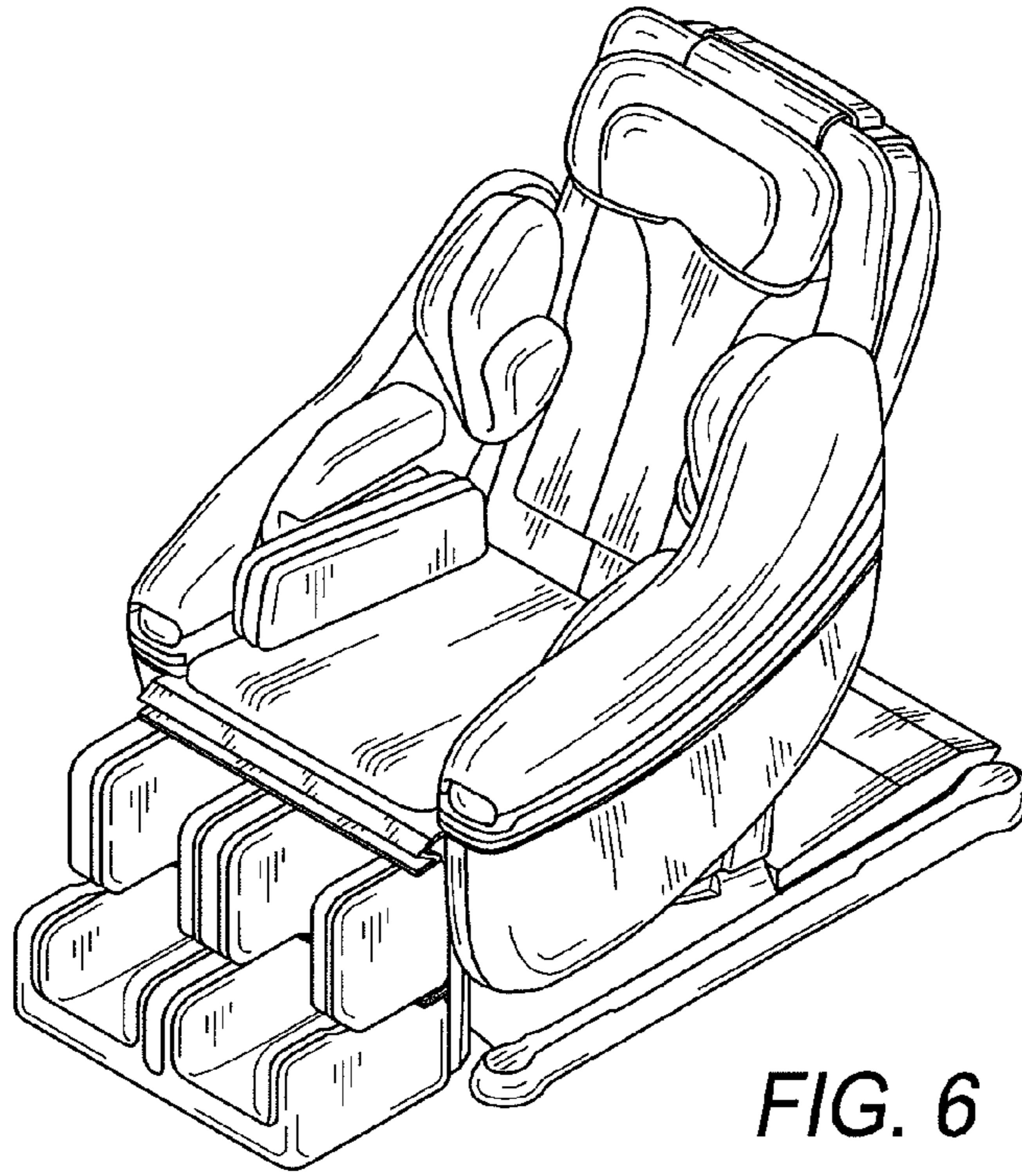


FIG. 6

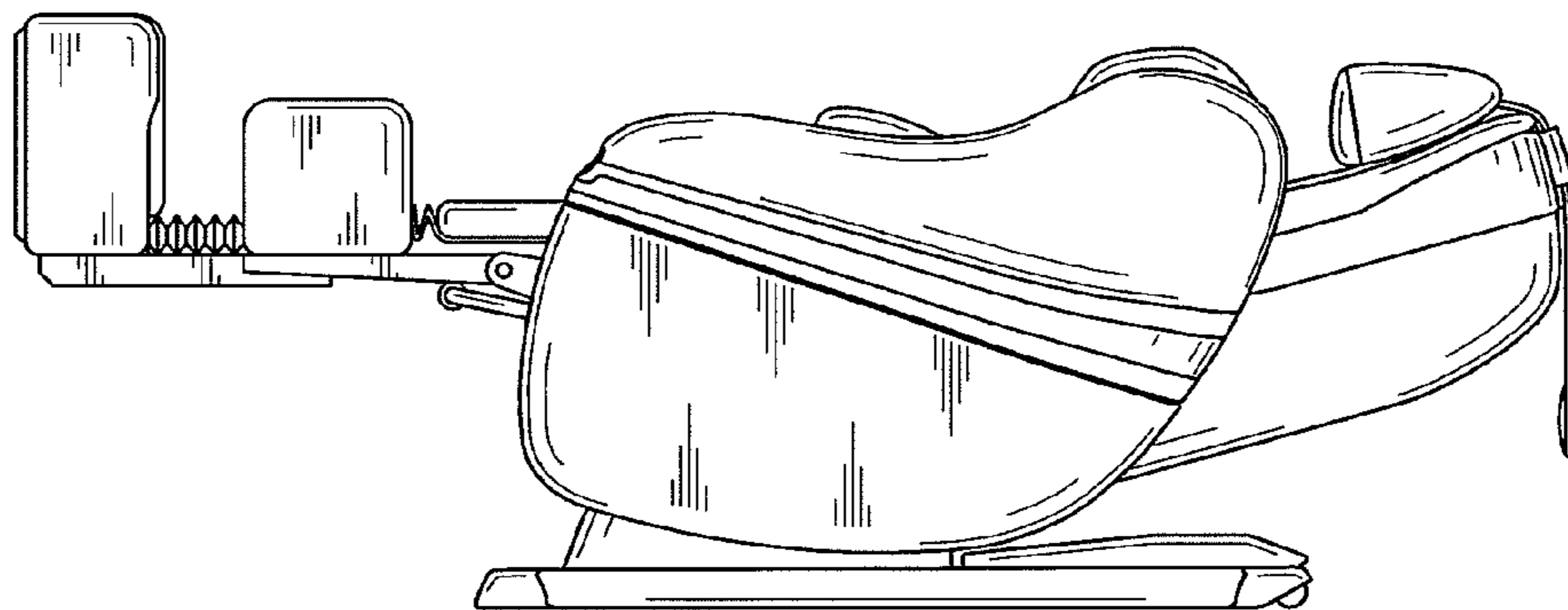


FIG. 7

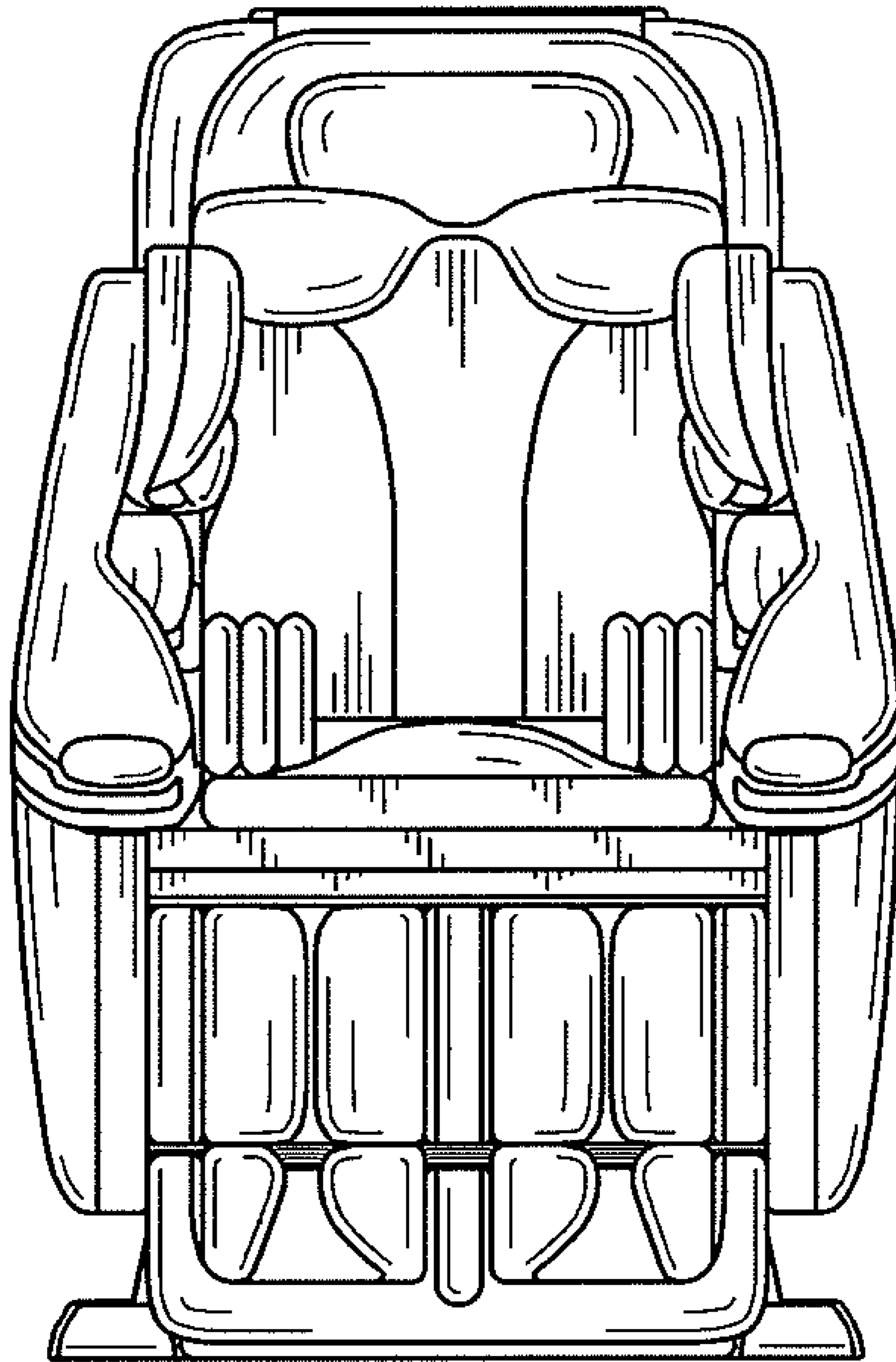


FIG. 8