



US00D577920S

(12) **United States Design Patent**  
**Lee**

(10) **Patent No.:** **US D577,920 S**  
(45) **Date of Patent:** **\*\* Oct. 7, 2008**

(54) **CHAIR**

(75) Inventor: **Steve Lee**, Park Ridge, IL (US)

(73) Assignee: **LumiSource, Inc.**, Elk Grove Village, IL (US)

(\*\*) Term: **14 Years**

(21) Appl. No.: **29/292,631**

(22) Filed: **Oct. 22, 2007**

(51) **LOC (8) Cl.** ..... **06-01**

(52) **U.S. Cl.** ..... **D6/356**

(58) **Field of Classification Search** ..... D6/334-336,  
D6/356, 367, 368, 374, 375, 500-502; 297/284.4,  
297/344.1, 353, 354.1, 373, 391, 396, 452.21,  
297/452.24, 452.25, 452.26, 452.34, 452.35  
See application file for complete search history.

(56) **References Cited**

**U.S. PATENT DOCUMENTS**

2,716,438	A *	8/1955	Furst	.....	297/344.1
3,328,079	A *	6/1967	Byczkowski et al.	.....	297/373
D273,920	S *	5/1984	Tixier	.....	D6/356
D332,181	S *	1/1993	Sacco et al.	.....	D6/356
D365,216	S *	12/1995	Smith	.....	D6/356
6,085,386	A *	7/2000	Blanchard et al.	.....	297/373
6,309,021	B1 *	10/2001	Yasui et al.	.....	297/344.1
6,843,526	B2 *	1/2005	Honda et al.	.....	297/344.1
D555,922	S *	11/2007	Esaki et al.	.....	D6/356

2004/0113474	A1 *	6/2004	Lambrecht et al.	.....	297/344.1
2006/0103204	A1 *	5/2006	Walker et al.	.....	297/284.4
2006/0244293	A1 *	11/2006	Buffa	.....	297/284.4

**OTHER PUBLICATIONS**

Co-pending U.S. Appl. No. 29/266,944, filed Sep. 29, 2006.  
Co-pending U.S. Appl. No. 29/292,633, filed Oct. 22, 2007.  
Co-pending U.S. Appl. No. 29/292,634, filed Oct. 22, 2007.

\* cited by examiner

*Primary Examiner*—Mimosa De

(74) *Attorney, Agent, or Firm*—Pauley Peterson & Erickson

(57) **CLAIM**

The ornamental design for a chair, as shown.

**DESCRIPTION**

FIG. 1 is a front perspective view of a chair, according to one embodiment of this invention;

FIG. 2 is a front view of the chair, as shown in FIG. 1;

FIG. 3 is a side view of the chair, as shown in FIG. 1;

FIG. 4 is a top view of the chair, as shown in FIG. 1;

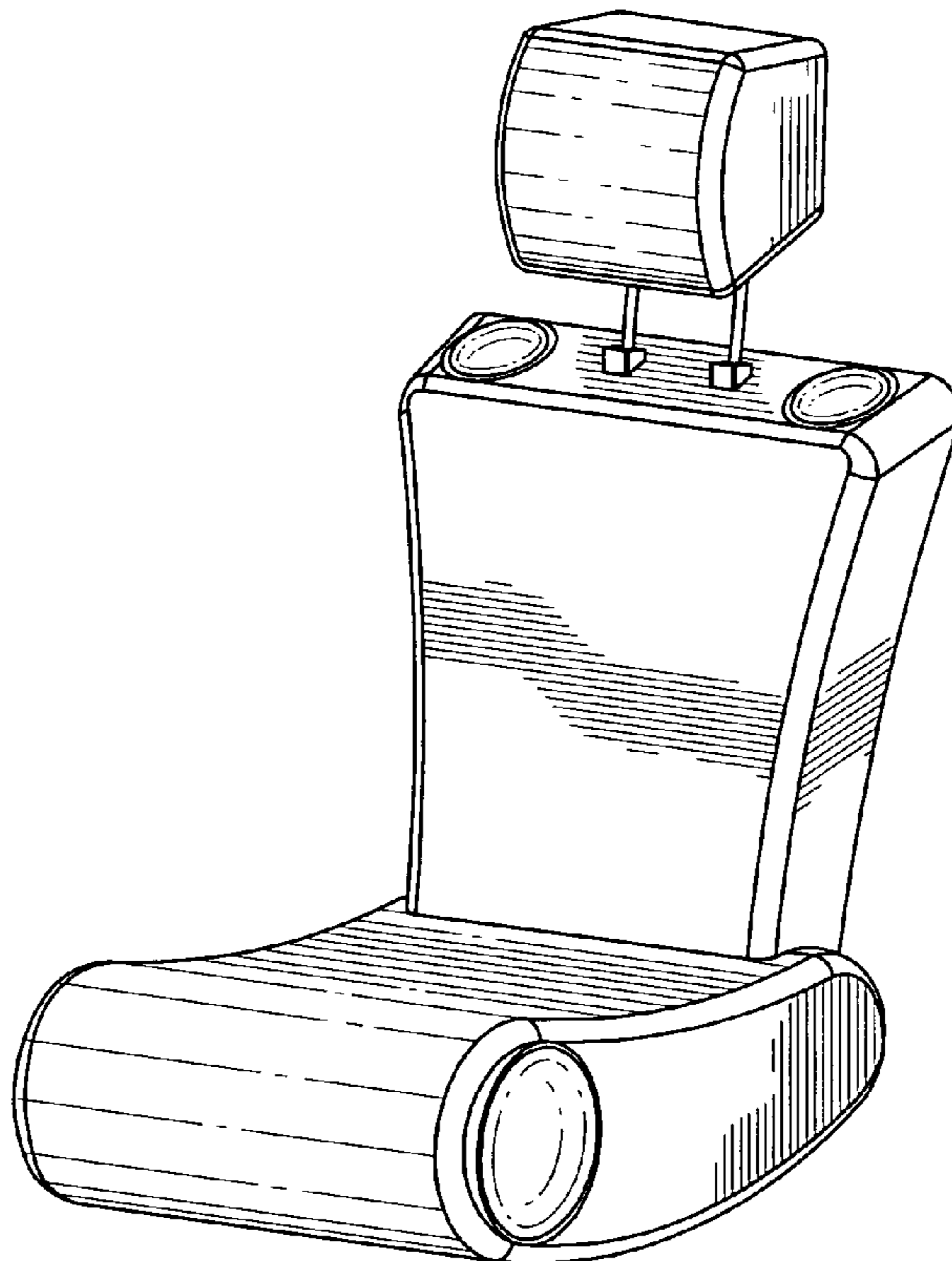
FIG. 5 is a front perspective view of a chair, according to another embodiment of this invention;

FIG. 6 is a front view of the chair, as shown in FIG. 5;

FIG. 7 is a side view of the chair, as shown in FIG. 5; and,

FIG. 8 is a top view of the chair, as shown in FIG. 5.

**1 Claim, 8 Drawing Sheets**



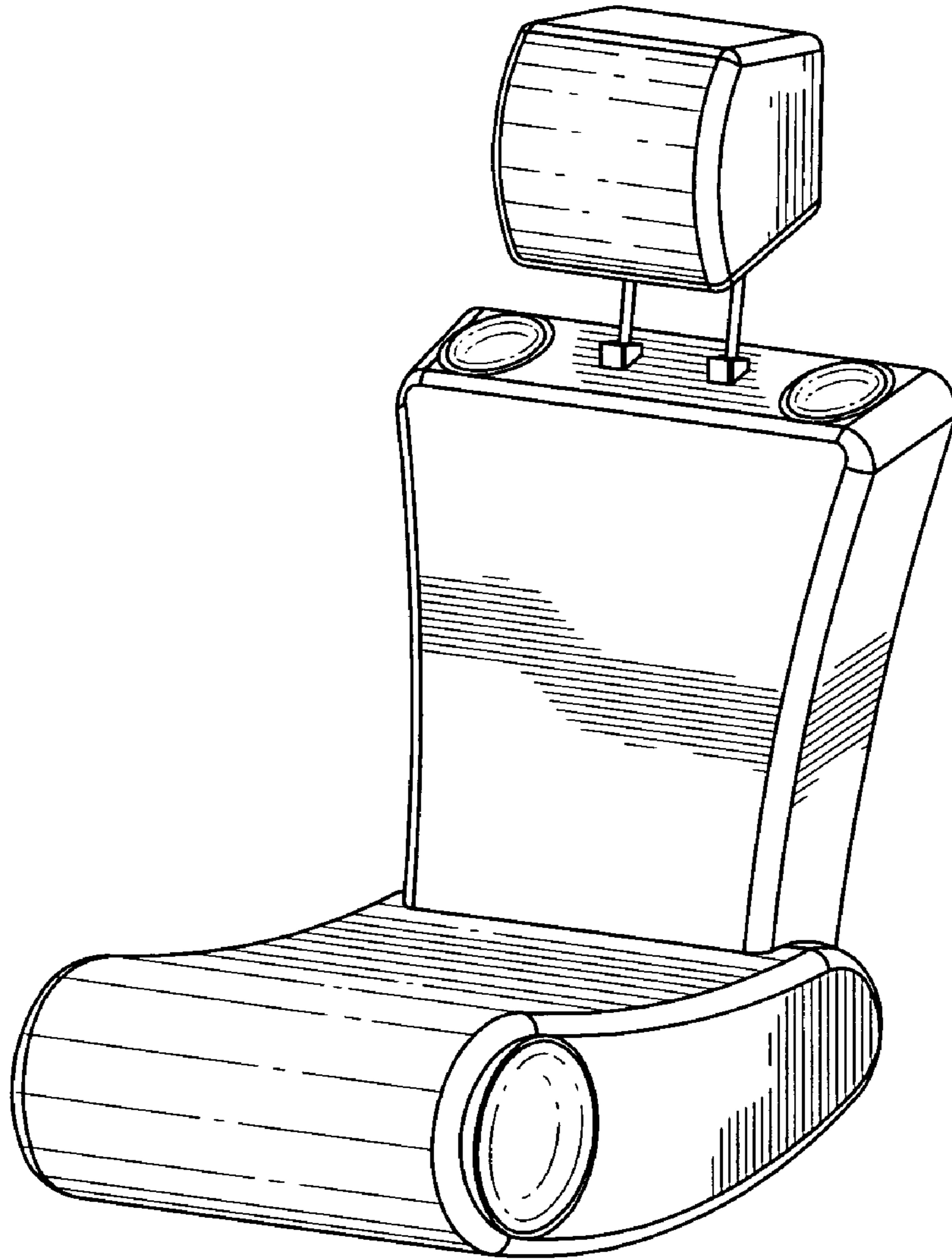


FIG. 1

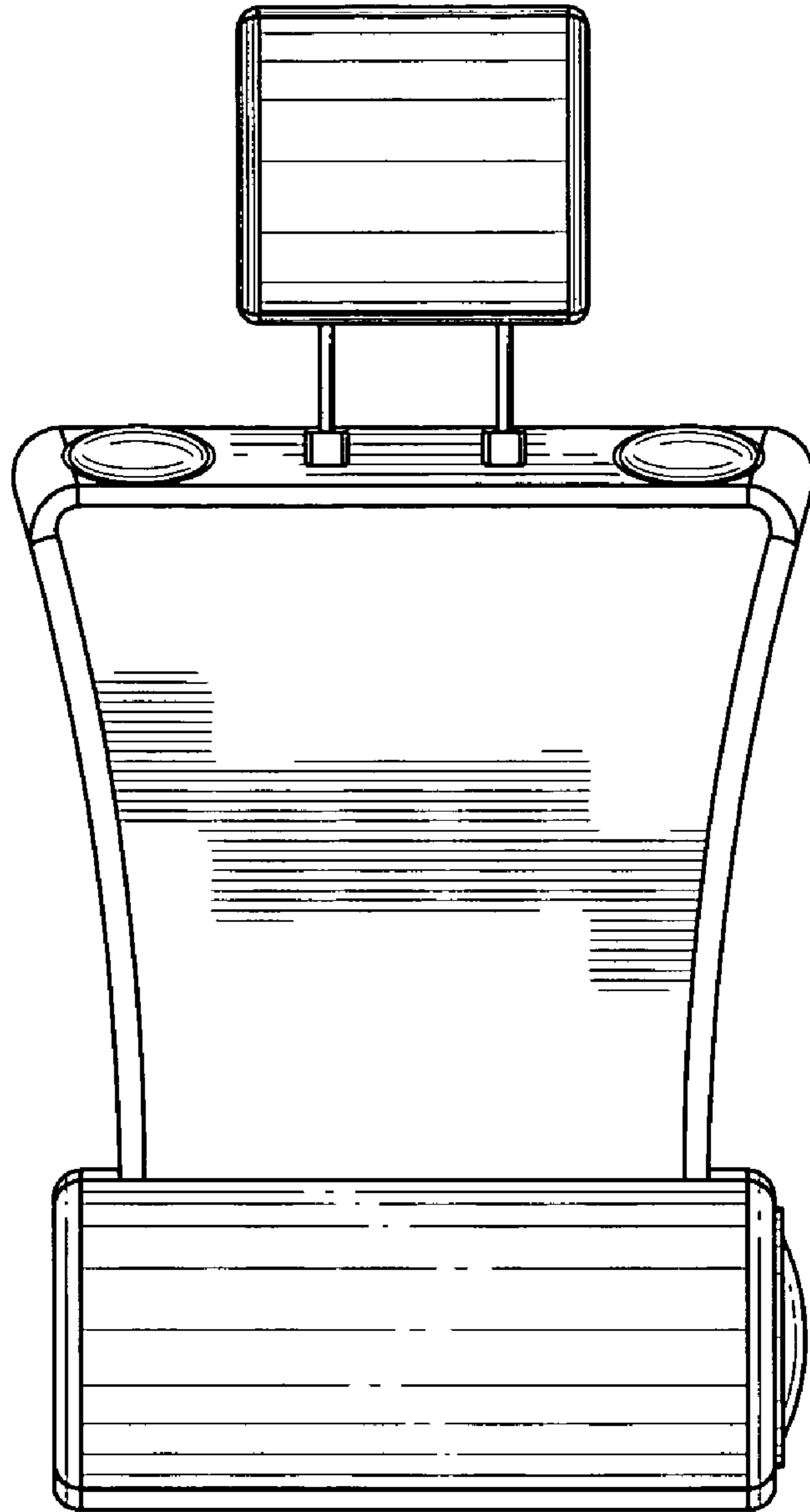


FIG. 2

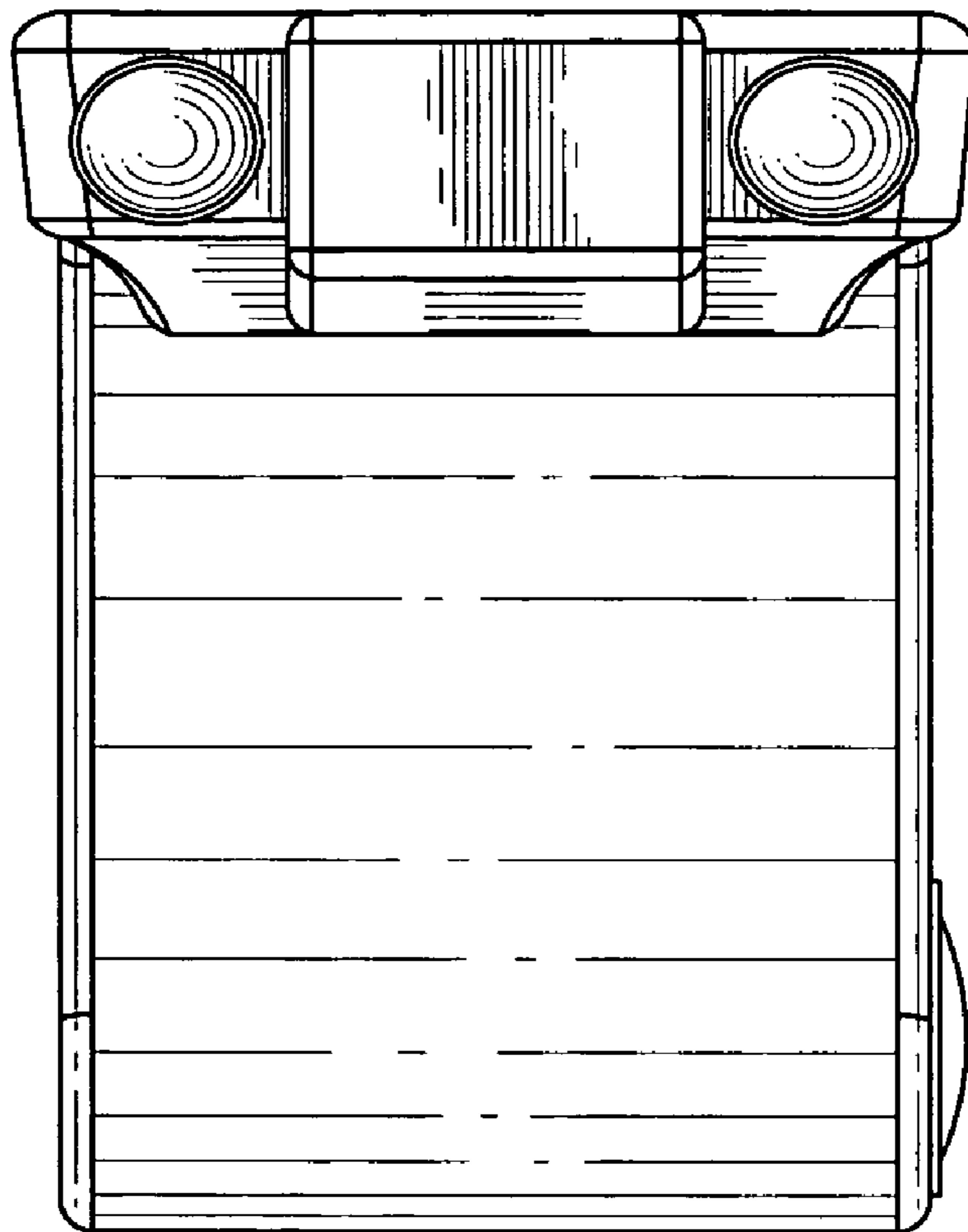


FIG. 3

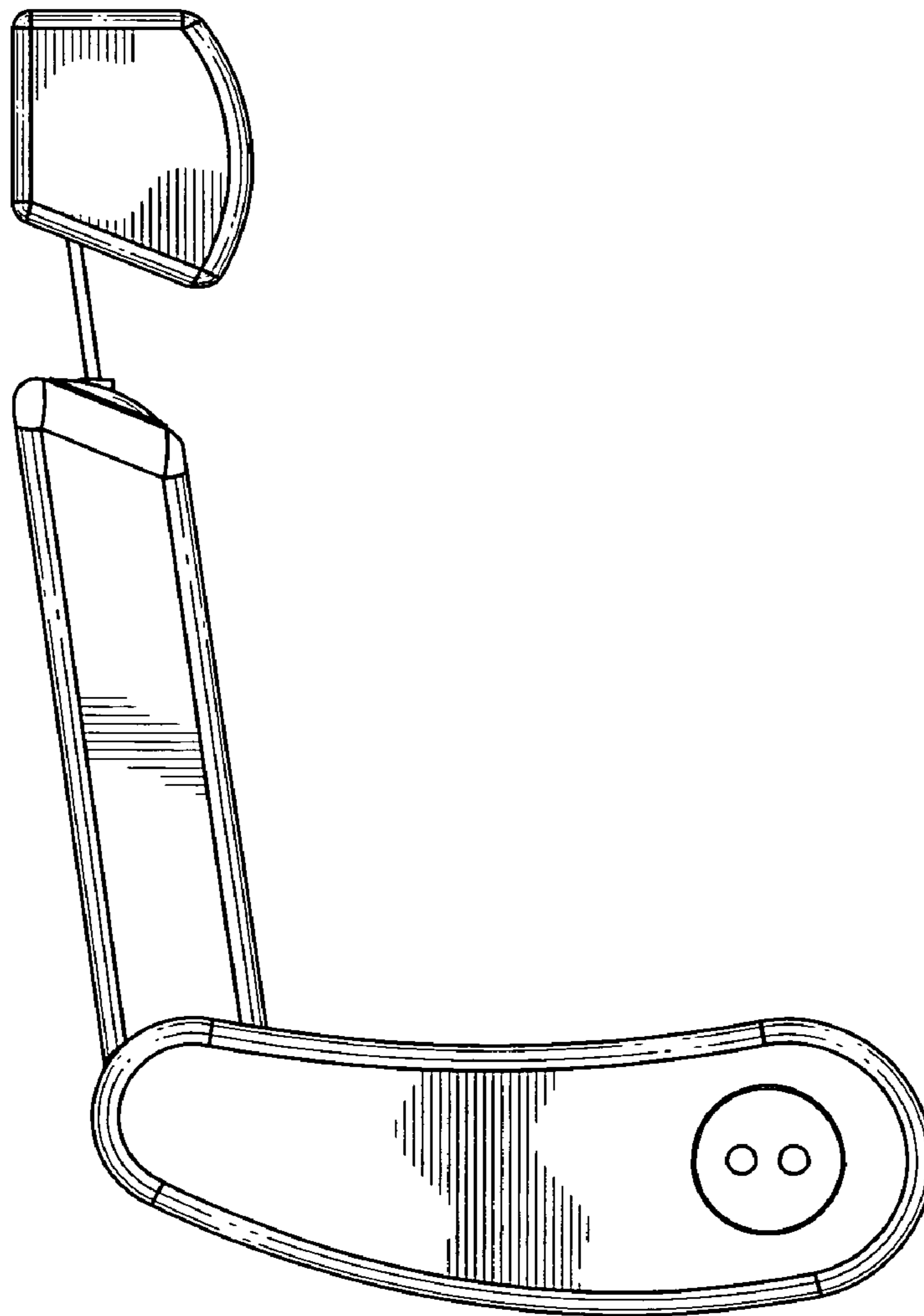


FIG.4

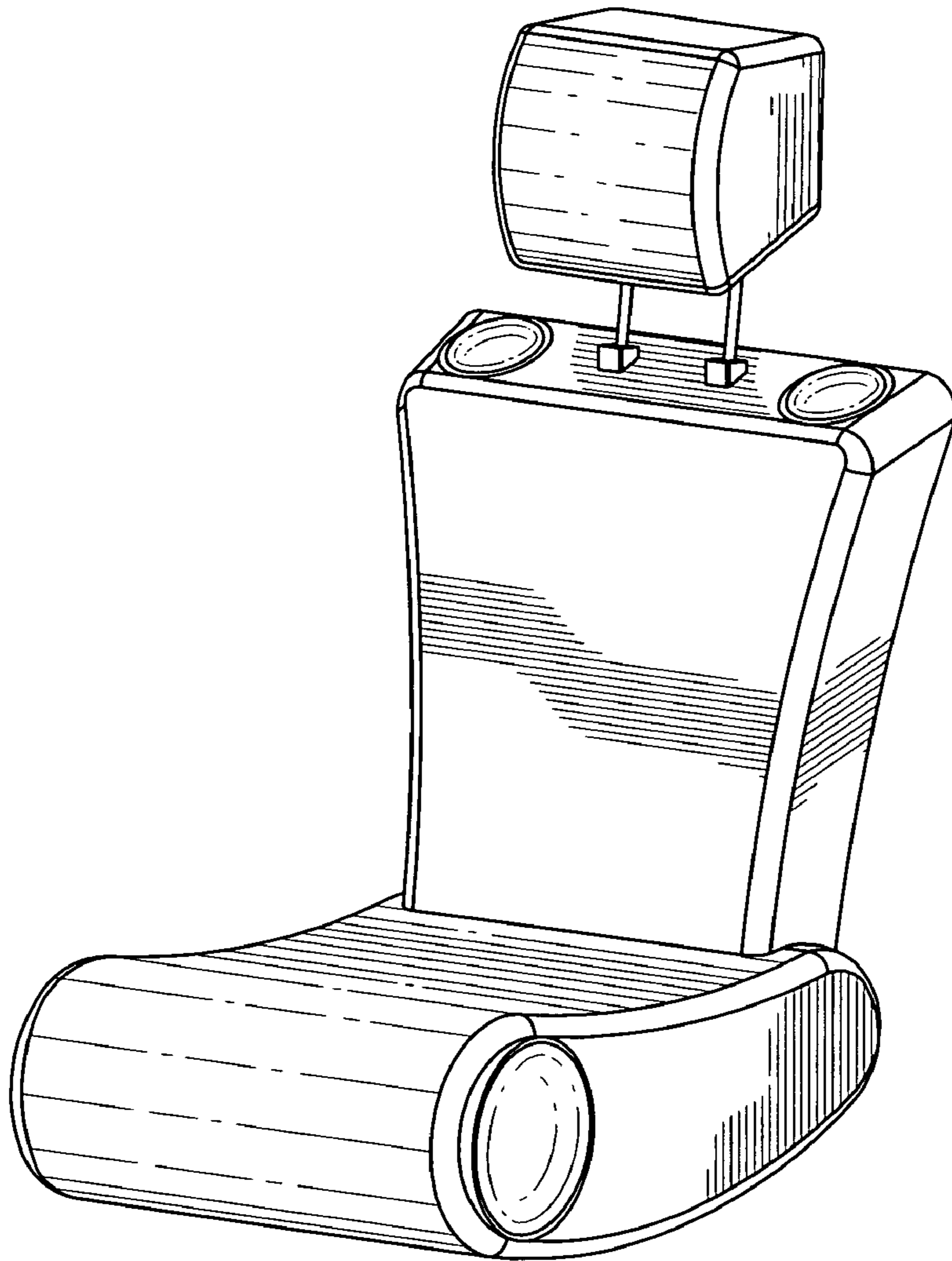


FIG. 5

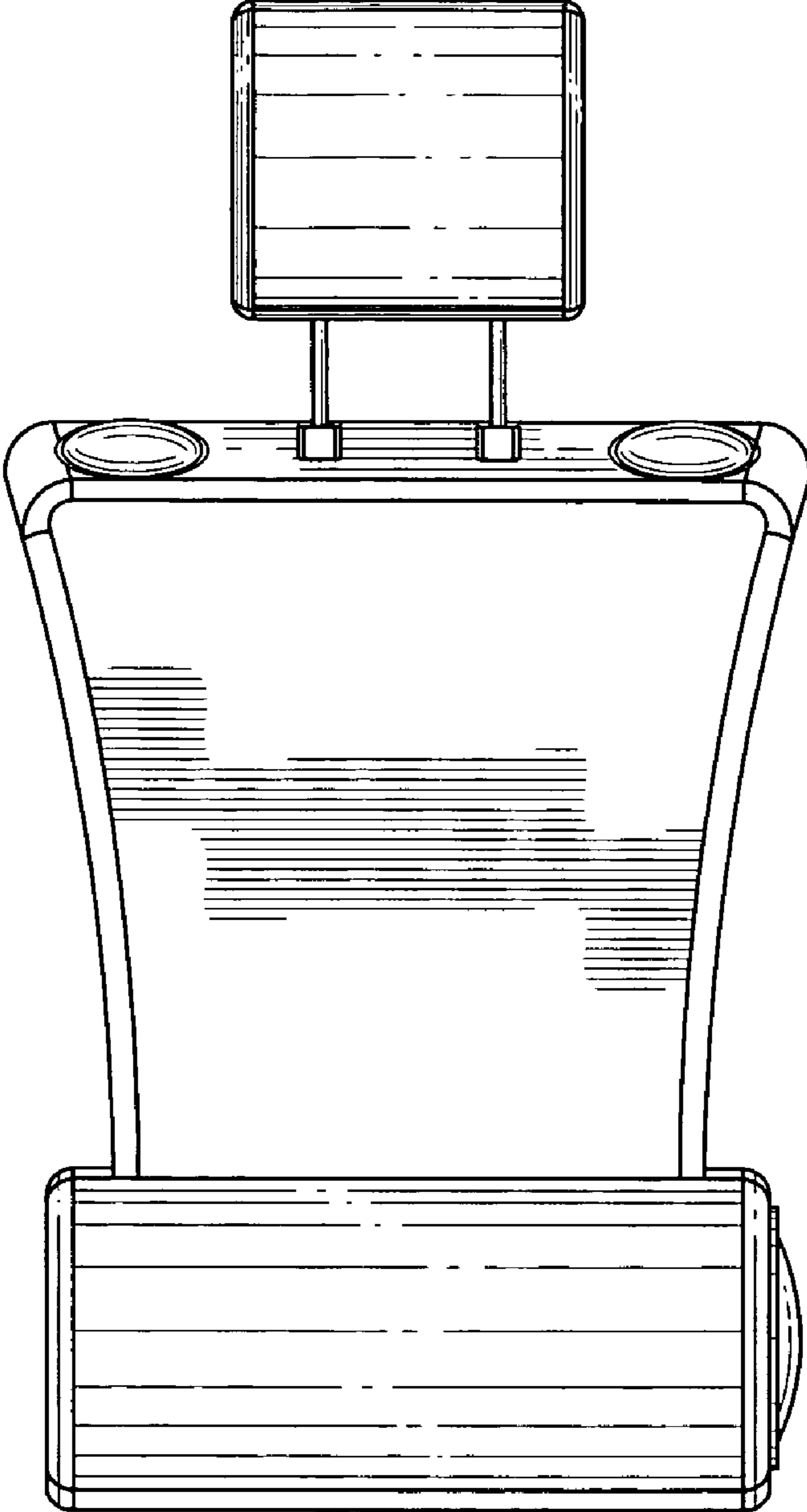


FIG. 6

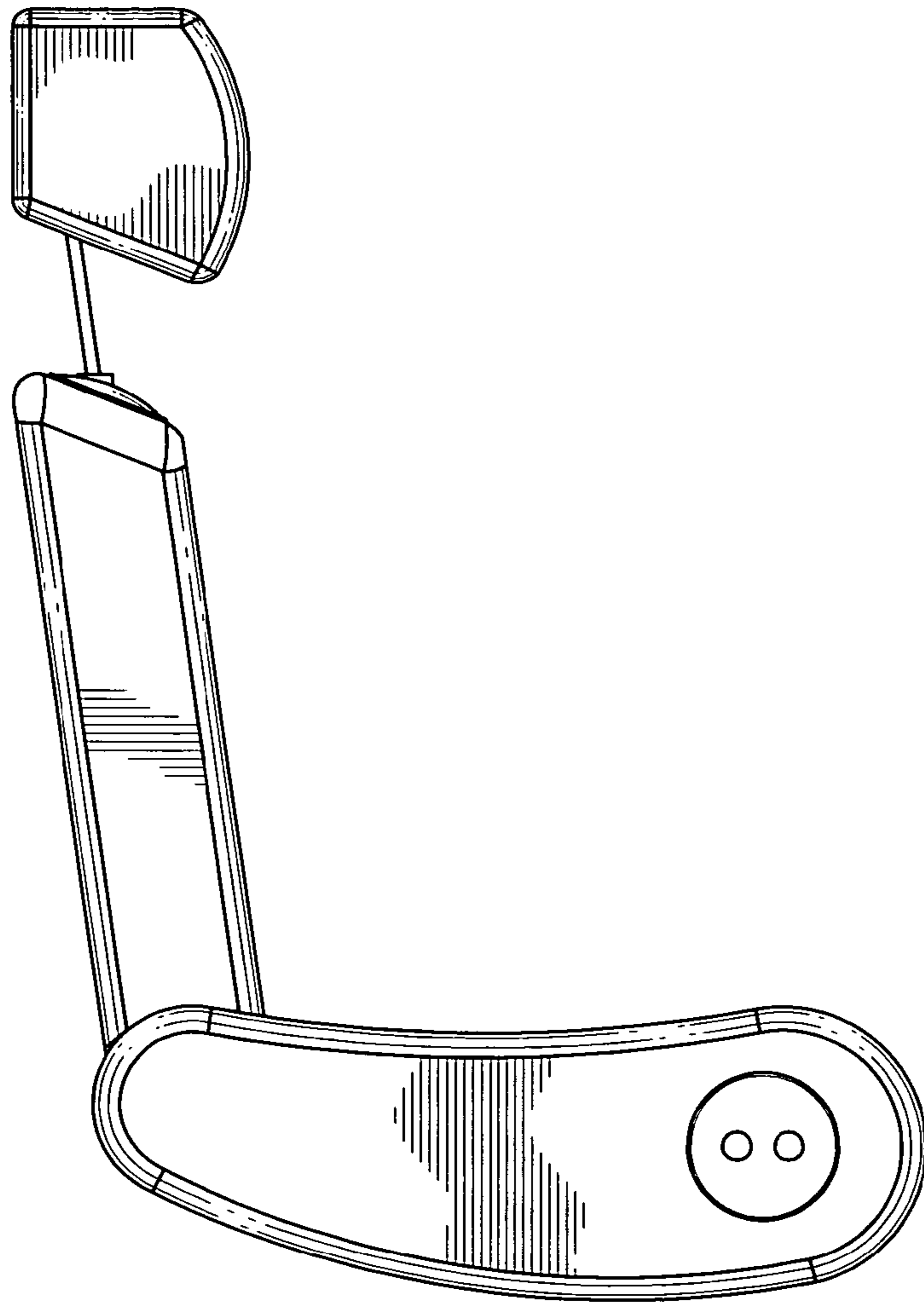


FIG. 7



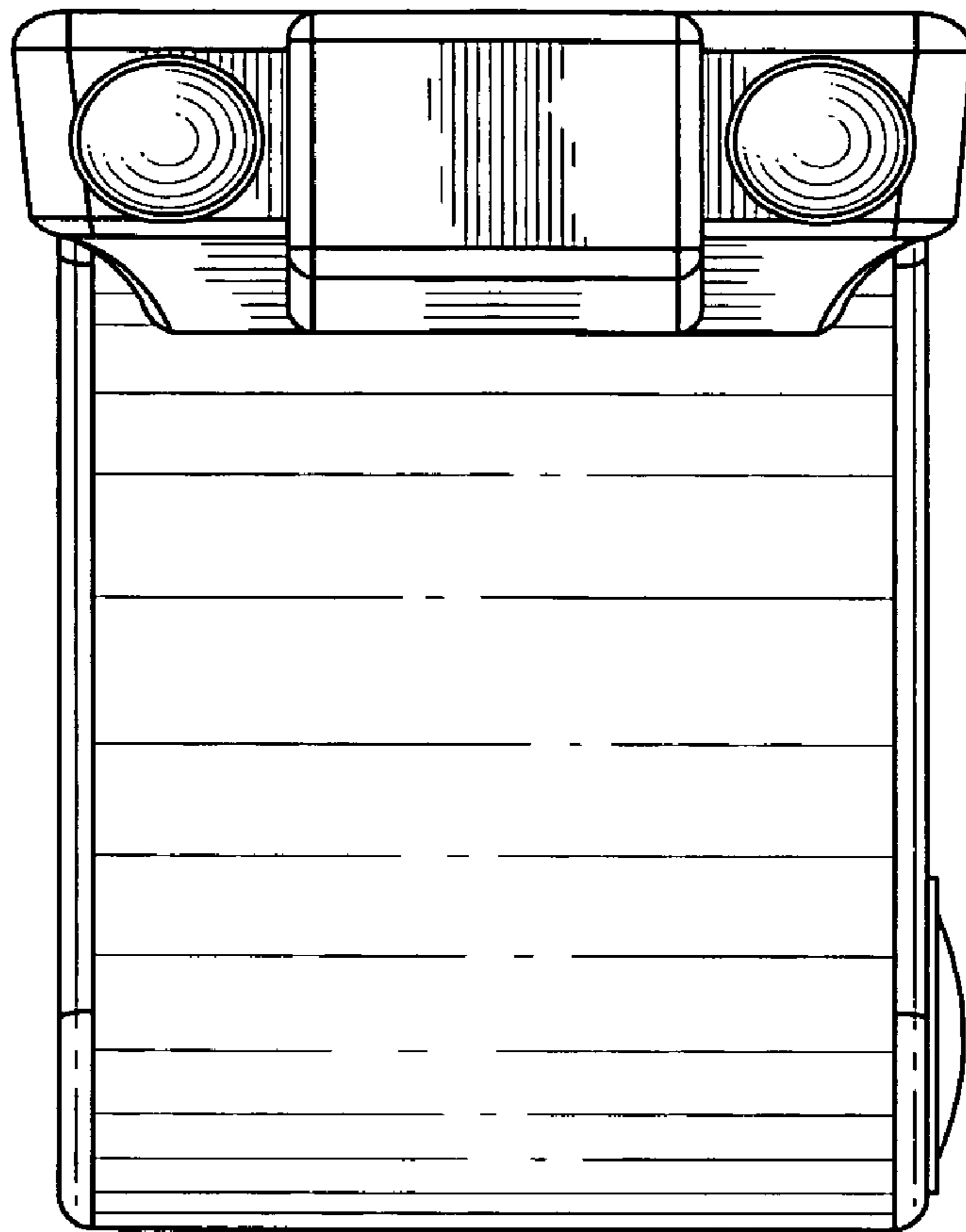


FIG. 8