



US00D577919S

(12) **United States Design Patent**
Koshiishi

(10) **Patent No.:** **US D577,919 S**
(45) **Date of Patent:** **** Oct. 7, 2008**

(54) **SADDLE FOR A VEHICLE OR A WALKING SUPPORT SYSTEM**

(75) Inventor: **Takeshi Koshiishi**, Saitama (JP)

(73) Assignee: **Honda Motor Co., Ltd.**, Tokyo (JP)

(**) Term: **14 Years**

(21) Appl. No.: **29/296,554**

(22) Filed: **Oct. 23, 2007**

(30) **Foreign Application Priority Data**

Apr. 27, 2007 (JP) 2007-011548

(51) **LOC (8) Cl.** **06-01**

(52) **U.S. Cl.** **D6/354; D12/133**

(58) **Field of Classification Search** D12/128–133,
D12/114, 115, 119; 280/62, 647–650, 29,
280/200, 47.38, 250.1, 259, 642, 658; 297/DIG. 4;
296/65.03, 65.04; 224/409; 135/65–67,
135/74, 96; 180/208; 267/5; D21/686, 687,
D21/688, 663; D8/300, 303, 307, 331, 333,
D8/349, 367, 382, 394, 395
See application file for complete search history.

(56) **References Cited**

U.S. PATENT DOCUMENTS

D27,956 S * 12/1897 Serson D6/354
D214,546 S * 6/1969 Mesinger D6/354
D247,796 S * 5/1978 Hanagan D6/354

4,095,820 A * 6/1978 Hanagan 224/275
D261,022 S * 9/1981 Hoskins D21/771
4,577,719 A * 3/1986 Nomura et al. 180/219
D418,563 S * 1/2000 Hwang D21/688
D429,076 S * 8/2000 Rash D6/354
D468,117 S * 1/2003 Kalhok et al. D6/354
D477,247 S * 7/2003 Cadotte et al. D12/7
D496,533 S * 9/2004 Everitt et al. D6/354
D517,332 S * 3/2006 Manchester et al. D6/354

* cited by examiner

Primary Examiner—Charles A. Rademaker

Assistant Examiner—Charles D Hanson

(74) *Attorney, Agent, or Firm*—Westerman, Hattori, Daniels & Adrian, LLP.

(57) **CLAIM**

The ornamental design for, a saddle for a vehicle or a walking support system, as shown and described.

DESCRIPTION

FIG. 1 is a front perspective view of a saddle for a vehicle of walking support system showing my new design;

FIG. 2 is a rear perspective view thereof;

FIG. 3 is a front elevation thereof;

FIG. 4 is a rear elevation thereof;

FIG. 5 is a top plan view thereof;

FIG. 6 is a right side elevation thereof; and,

FIG. 7 is a left side elevation thereof.

1 Claim, 7 Drawing Sheets

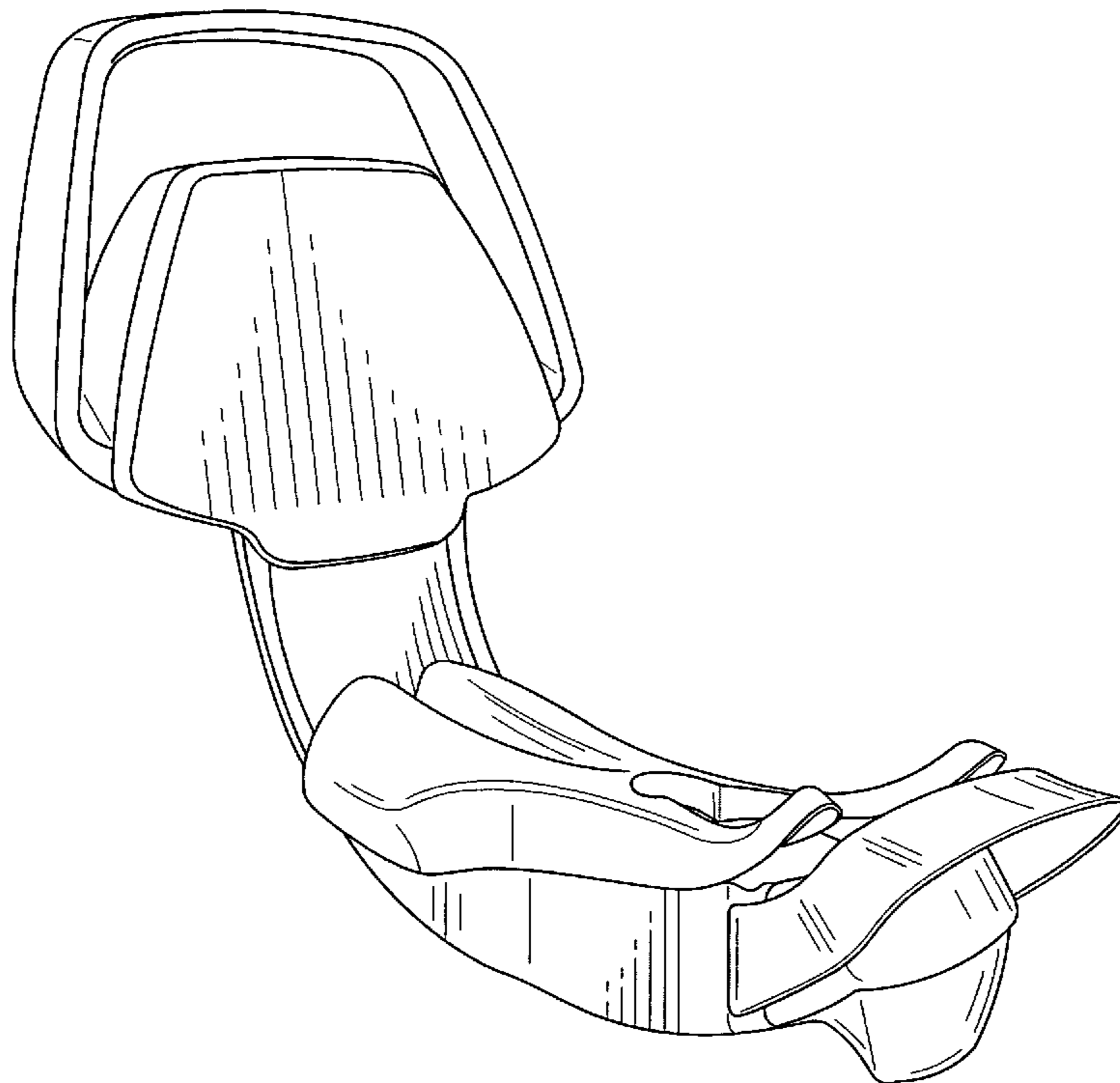


FIG. 1

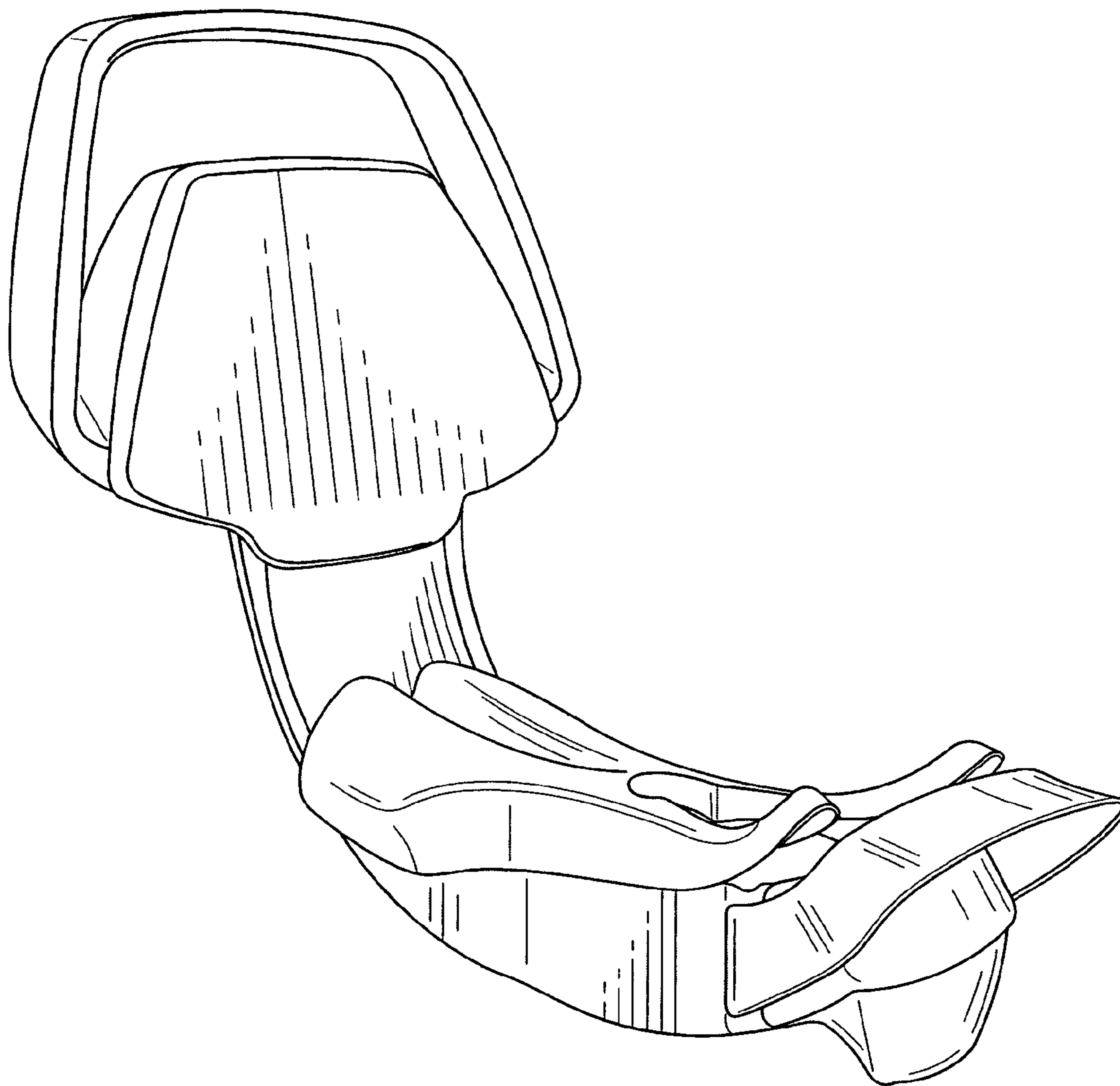


FIG. 2

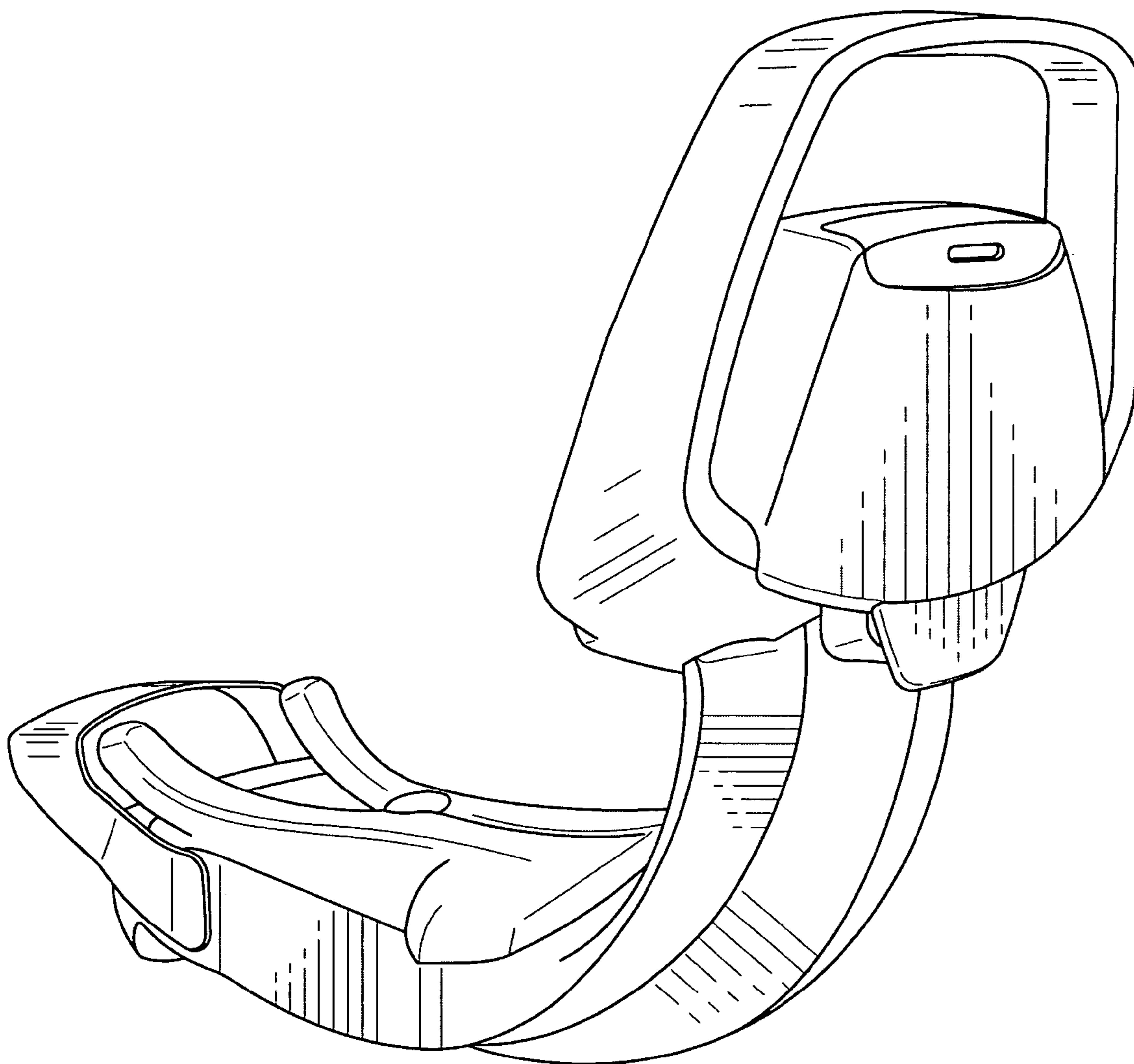


FIG. 3

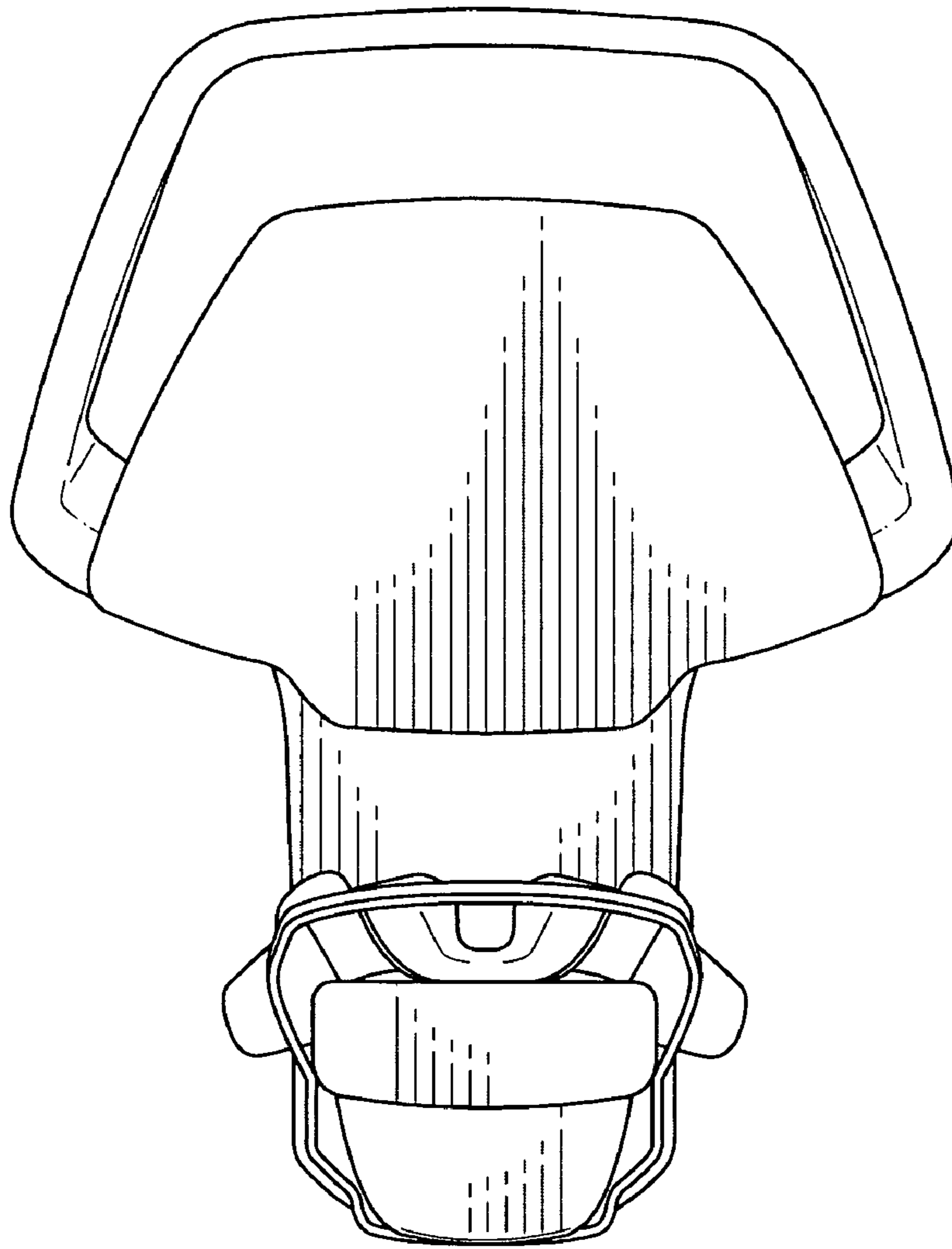


FIG. 4

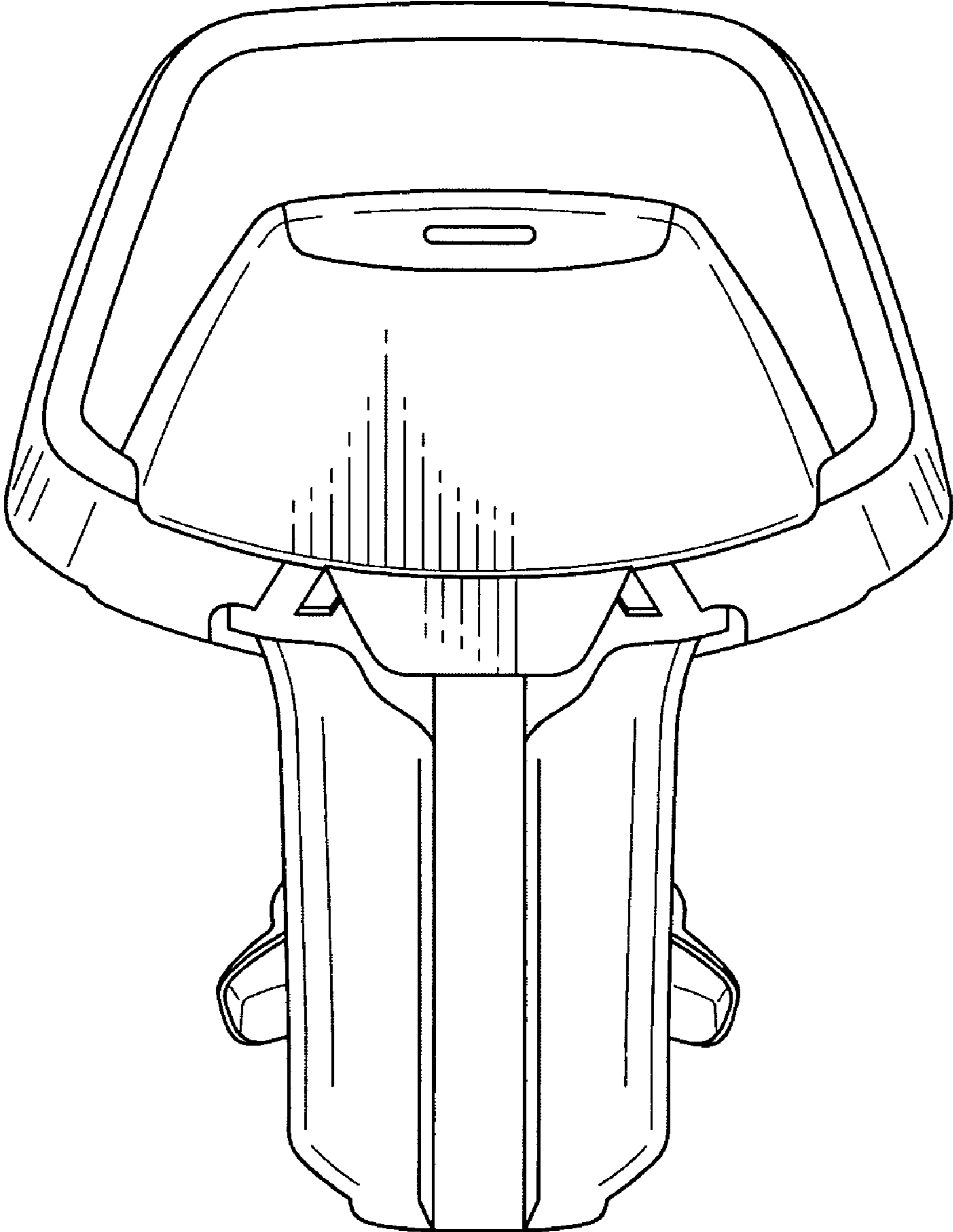


FIG. 5

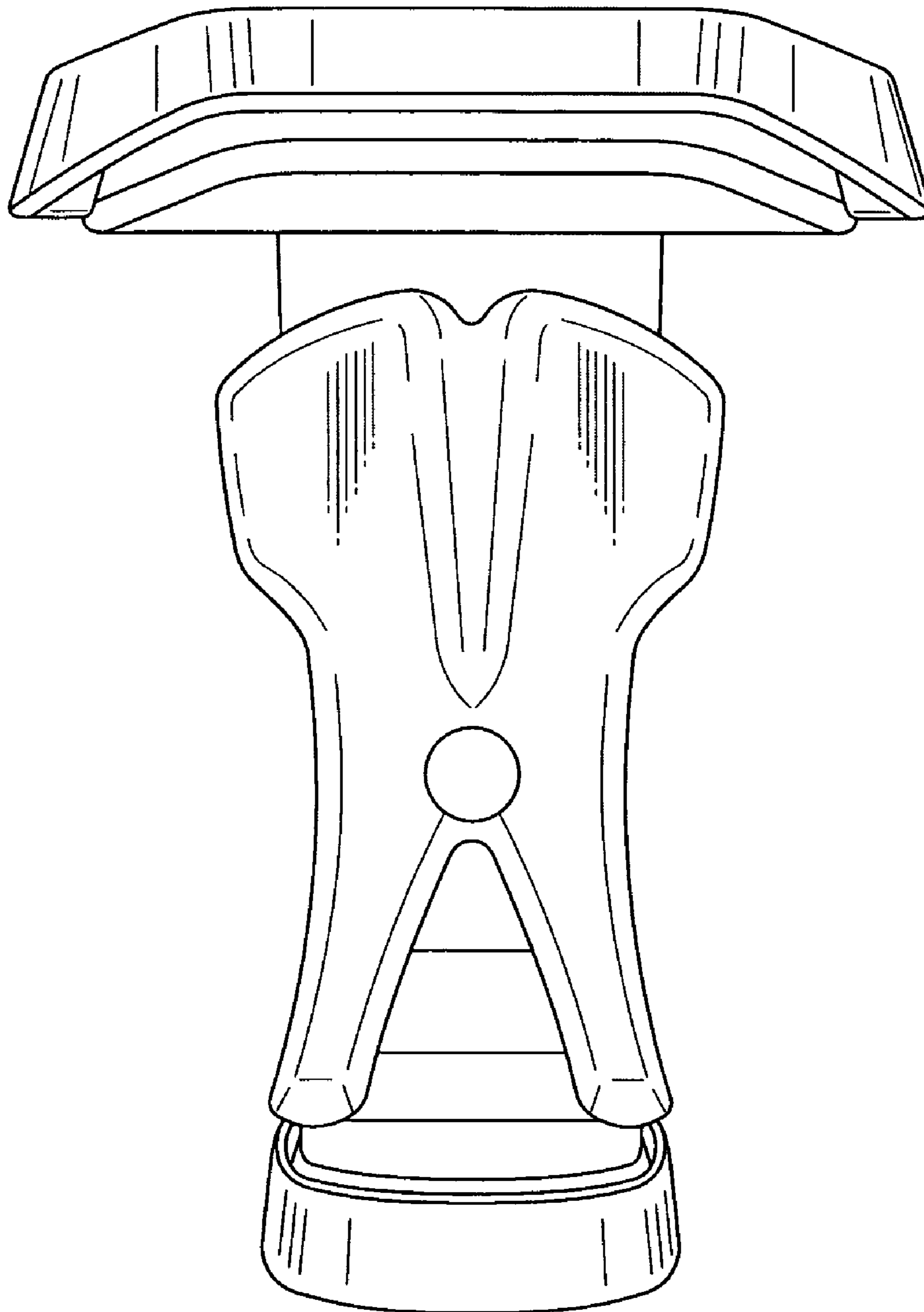


FIG. 6

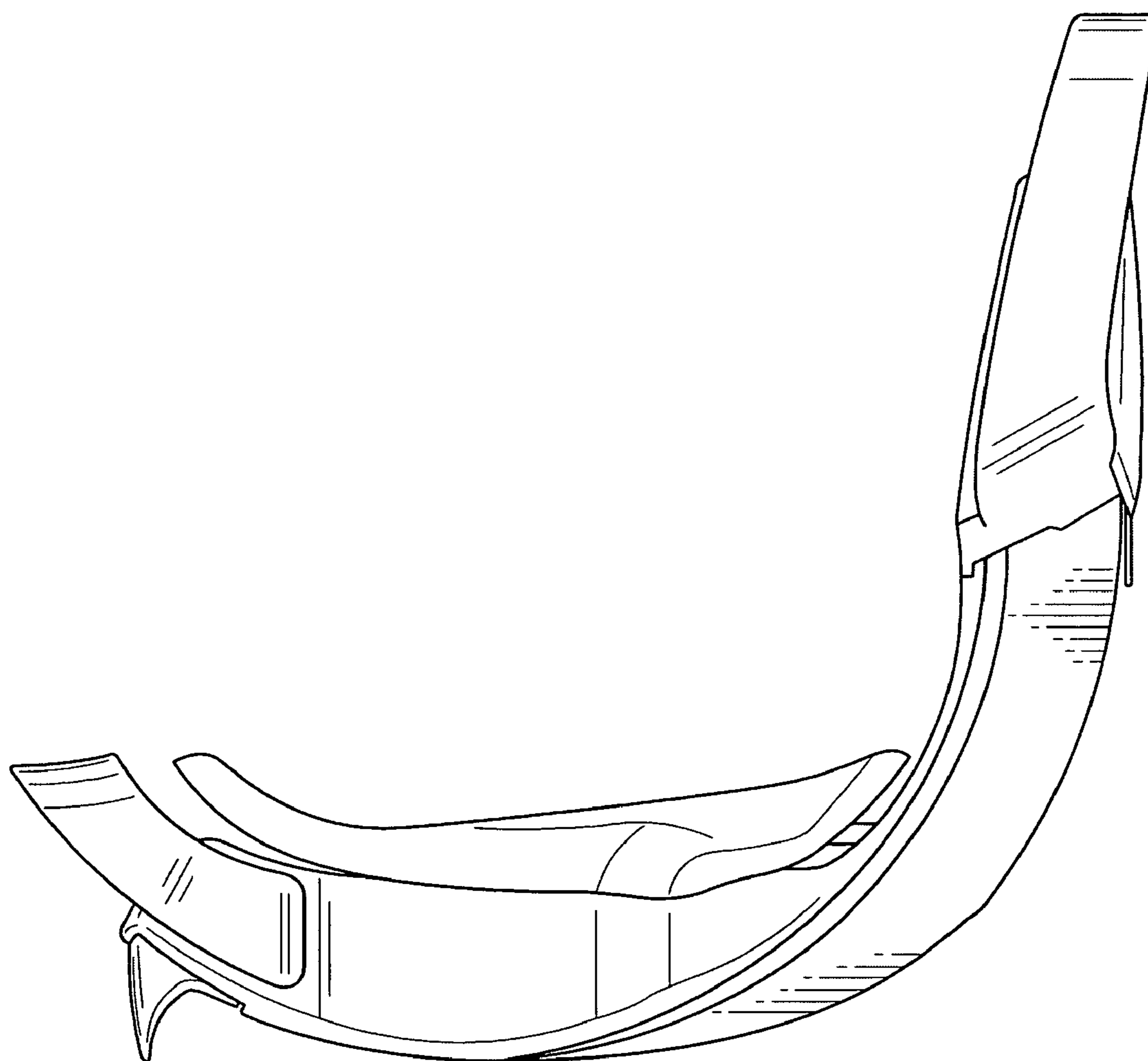


FIG. 7

