



US00D577918S

(12) **United States Design Patent**  
**Bizzell**

(10) **Patent No.:** **US D577,918 S**  
(45) **Date of Patent:** **\*\* Oct. 7, 2008**

(54) **BASSINET**

(75) Inventor: **Daniel Lee Bizzell**, Davidson, NC (US)

(73) Assignee: **Snuggle Nest, LLC**, Charlotte, NC (US)

(\*\*) Term: **14 Years**

(21) Appl. No.: **29/296,293**

(22) Filed: **Oct. 17, 2007**

(51) **LOC (8) Cl.** ..... **06-01**

(52) **U.S. Cl.** ..... **D6/333**

(58) **Field of Classification Search** ..... D6/333,  
D6/335, 339, 491, 499-502; D12/129; D21/412,  
D21/416, 419; 280/30, 31; 5/93.1, 93.2,  
5/94, 98.1, 99.1, 101, 102, 655; 297/183.1,  
297/183.2, 183.3, 183.4, 184.14, 184.15,  
297/250.1, 255, 256.15, 256.16

See application file for complete search history.

(56) **References Cited**

**U.S. PATENT DOCUMENTS**

2,551,509	A *	5/1951	Smith	.....	294/140
3,096,917	A *	7/1963	Gudiksen	.....	294/140
4,571,760	A *	2/1986	Kassai	.....	5/99.1
5,947,552	A *	9/1999	Wilkins et al.	.....	297/16.1
6,257,659	B1 *	7/2001	Wilkins et al.	.....	297/16.1
6,390,555	B2 *	5/2002	Wilkins et al.	.....	297/354.13
6,546,574	B1 *	4/2003	Bader	.....	5/94

\* cited by examiner

Primary Examiner—Sandra Snapp

(74) *Attorney, Agent, or Firm*—Tillman Wright, PLLC; Chad D. Tillman; James D. Wright

(57) **CLAIM**

The ornamental design for a bassinet, as shown and described.

**DESCRIPTION**

FIG. 1 is perspective view of the design for a bassinet of the present invention in an open configuration;

FIG. 2 is a left elevational view of the bassinet of FIG. 1;

FIG. 3 is a right elevational view of the bassinet of FIG. 1;

FIG. 4 is a top plan view of the bassinet of FIG. 1;

FIG. 5 is a bottom plan view of the bassinet of FIG. 1;

FIG. 6 is a front elevational view of the bassinet of FIG. 1;

FIG. 7 is a back elevational view of the bassinet of FIG. 1;

FIG. 8 is a perspective view of the bassinet of the present invention in a closed configuration;

FIG. 9 is a top plan view of the bassinet of FIG. 8;

FIG. 10 is a bottom plan view of the bassinet of FIG. 8;

FIG. 11 is a left elevational view of the bassinet of FIG. 8;

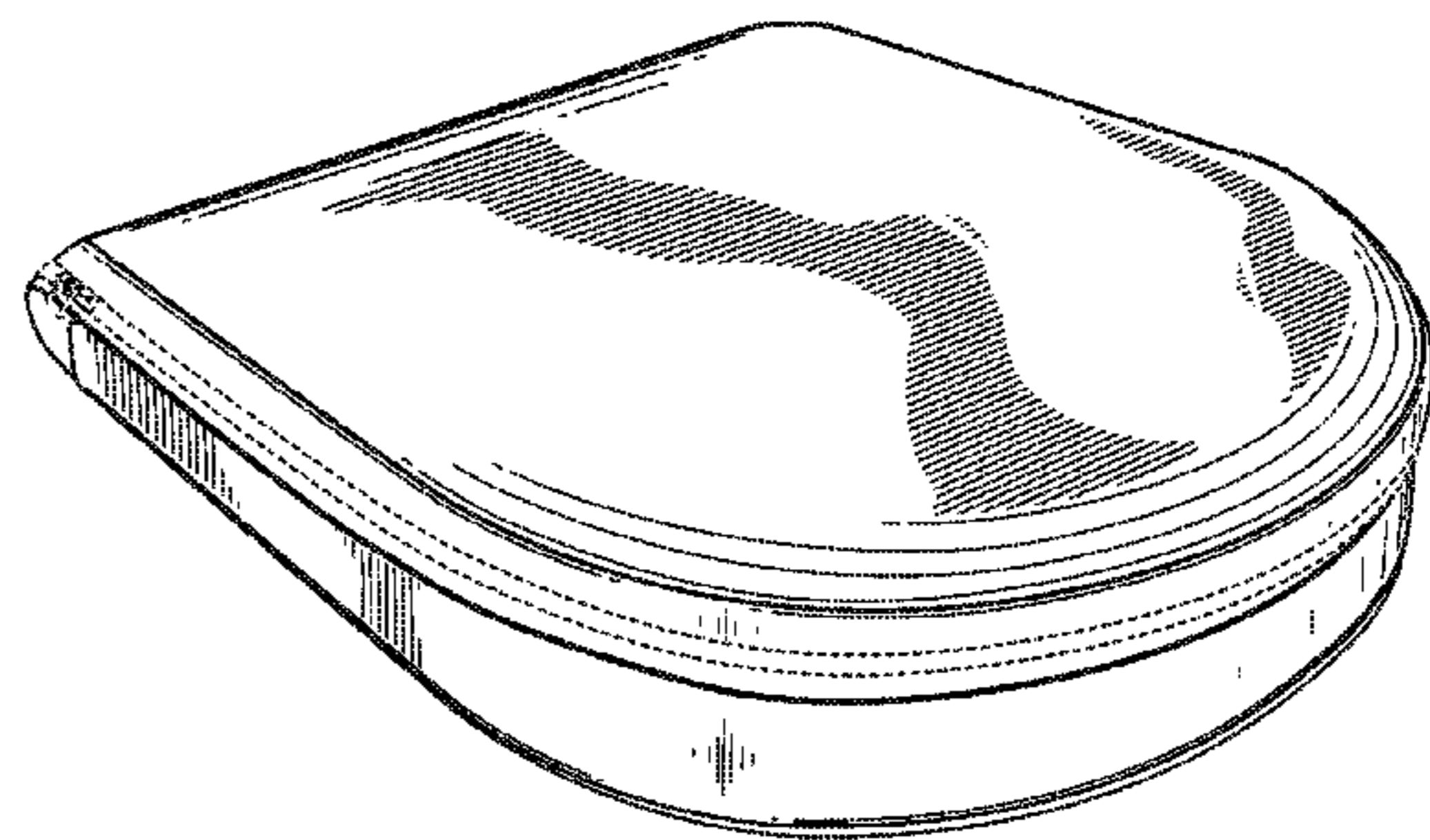
FIG. 12 is a right elevational view of the bassinet of FIG. 8;

FIG. 13 is a front elevational view of the bassinet of FIG. 8; and,

FIG. 14 is a back elevational view of the bassinet of FIG. 8.

The broken lines illustrated in the drawings form no part of the design.

**1 Claim, 14 Drawing Sheets**



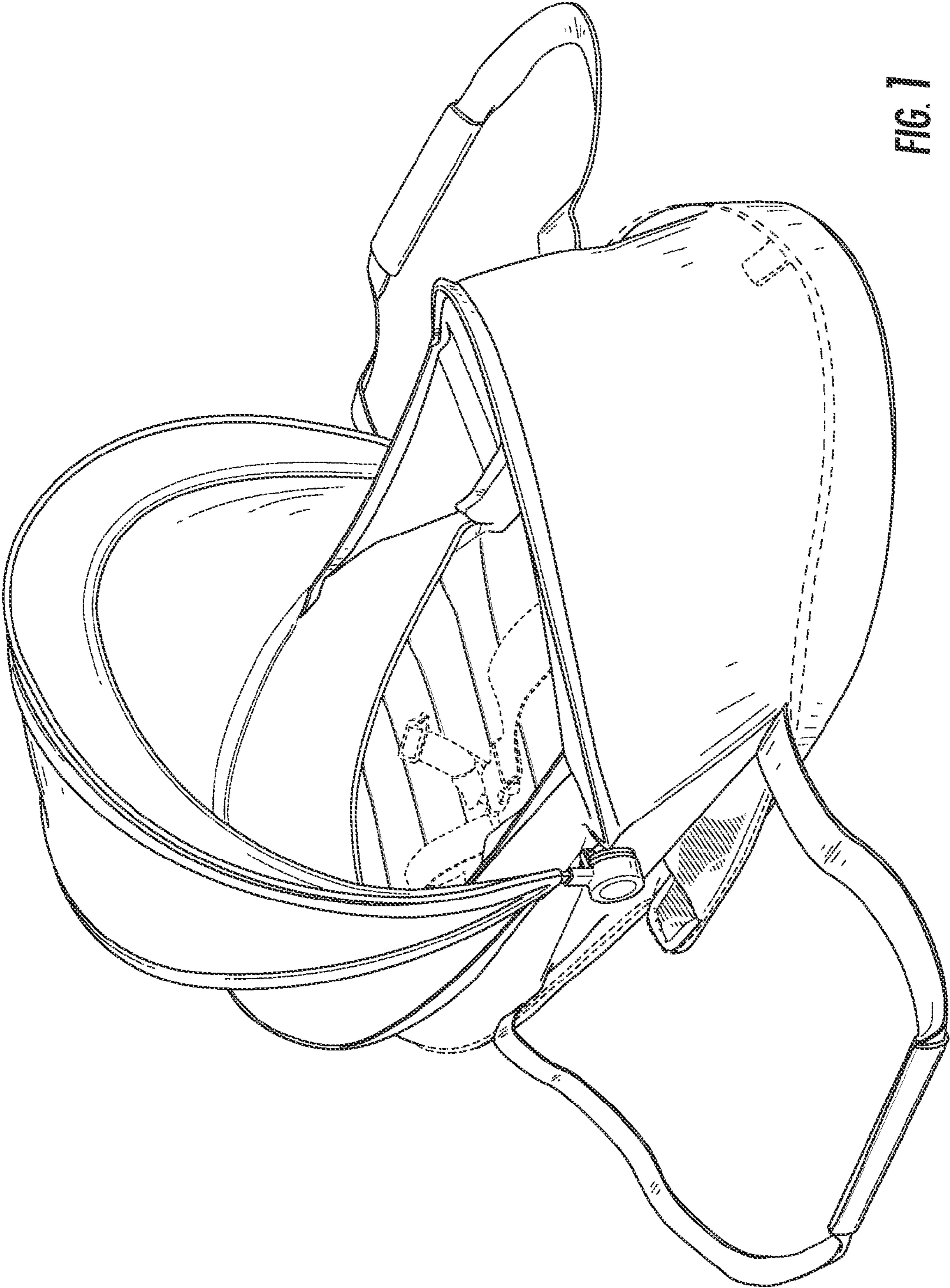


FIG. 1

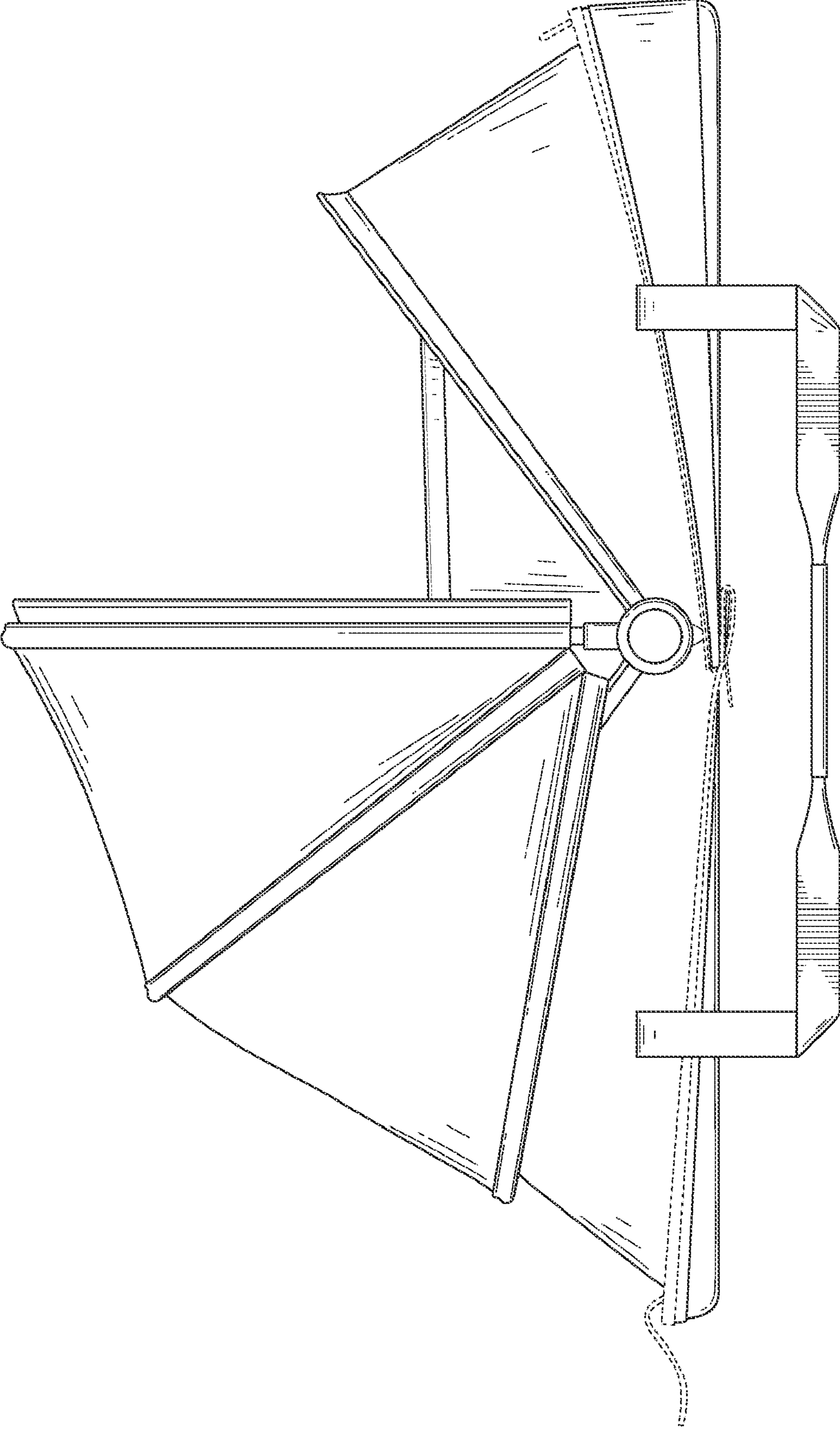


FIG. 2



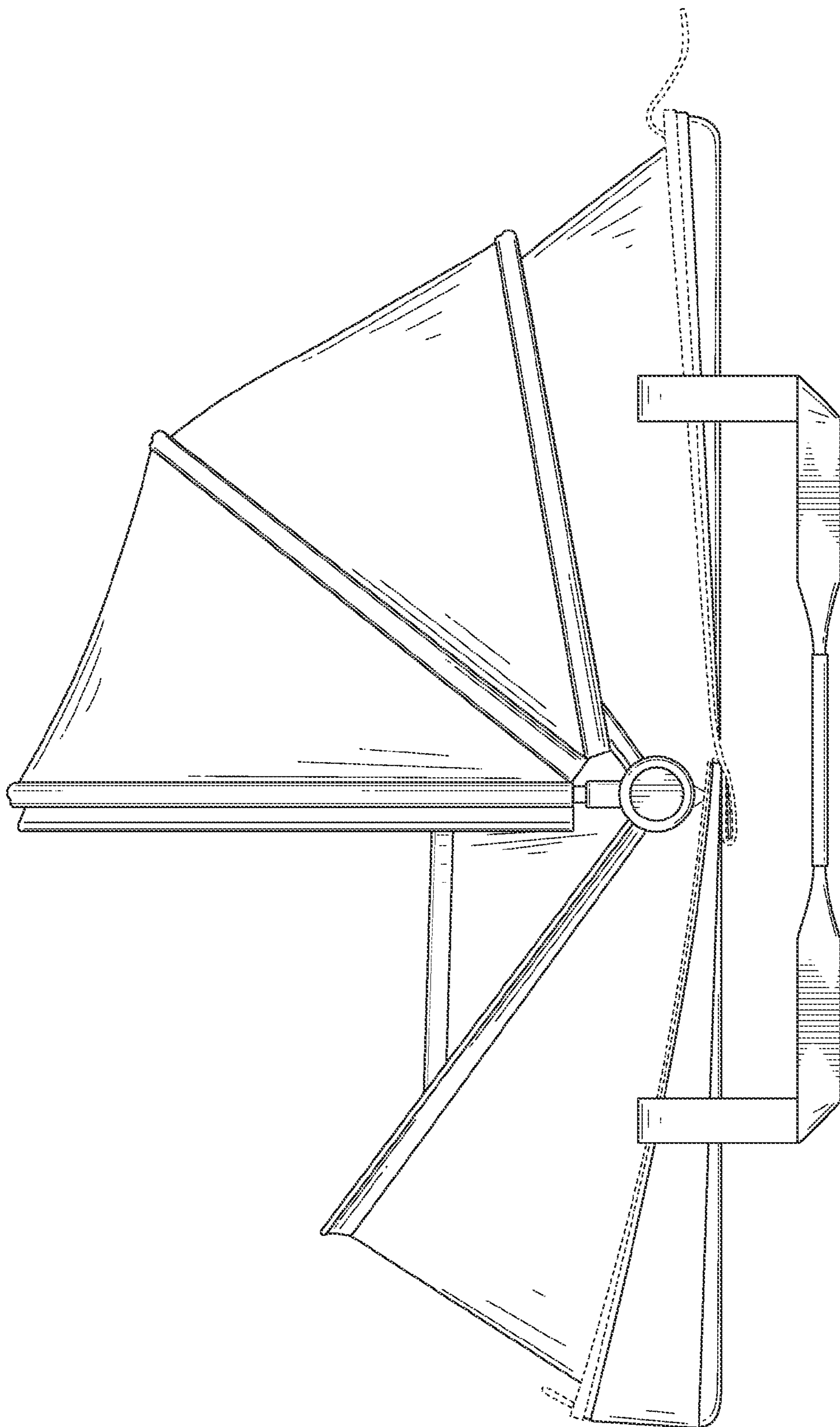


FIG. 3

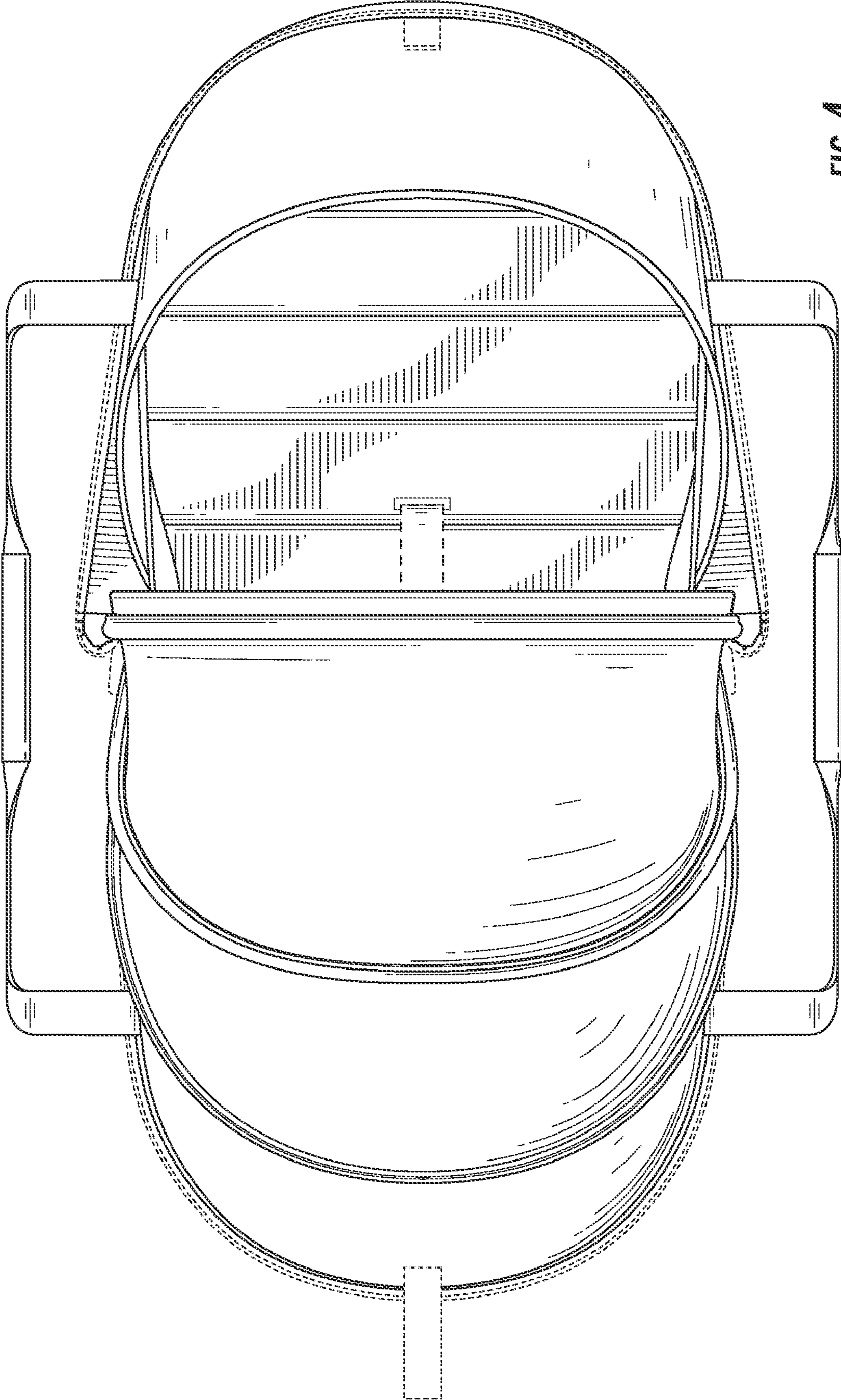


FIG. 4

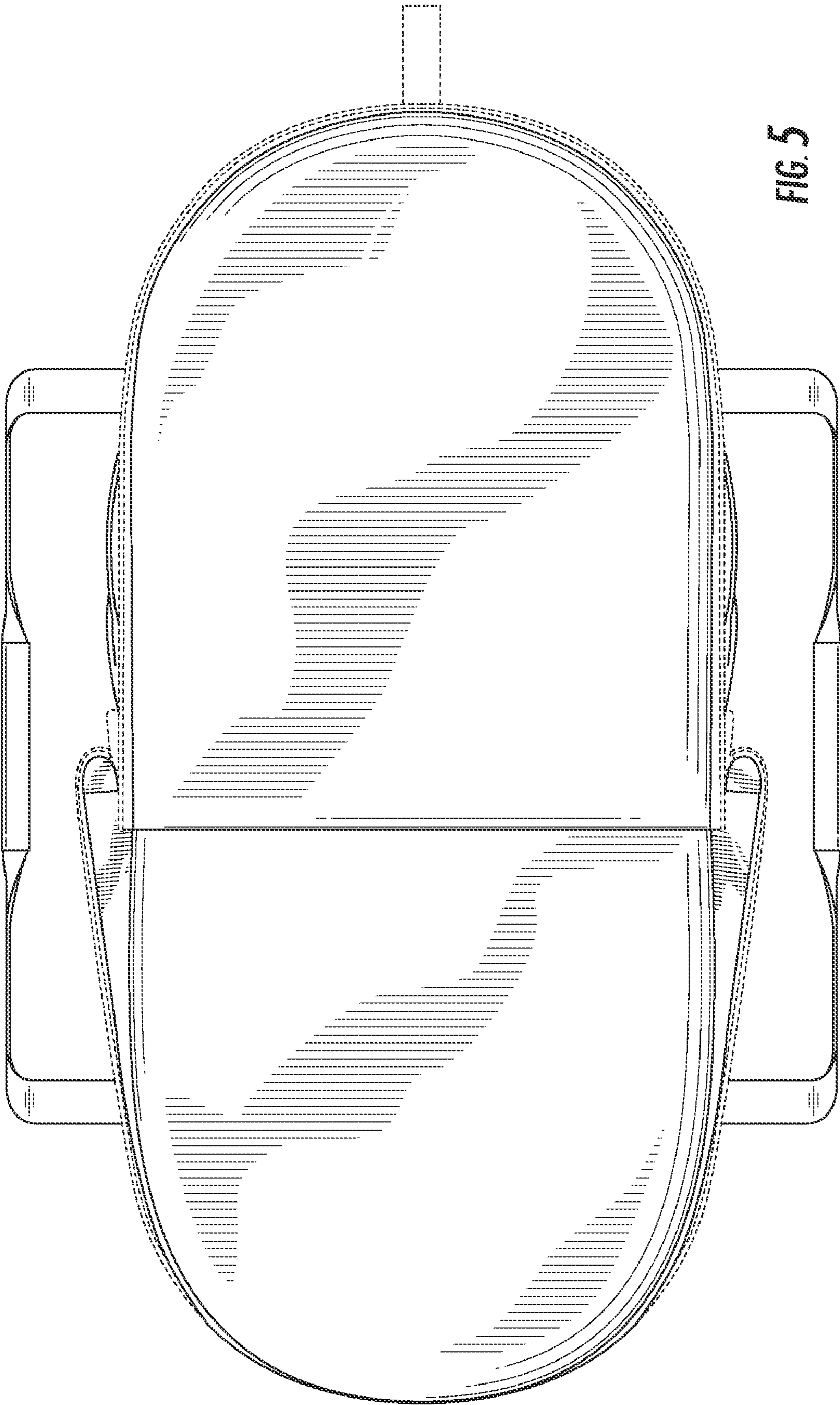


FIG. 5



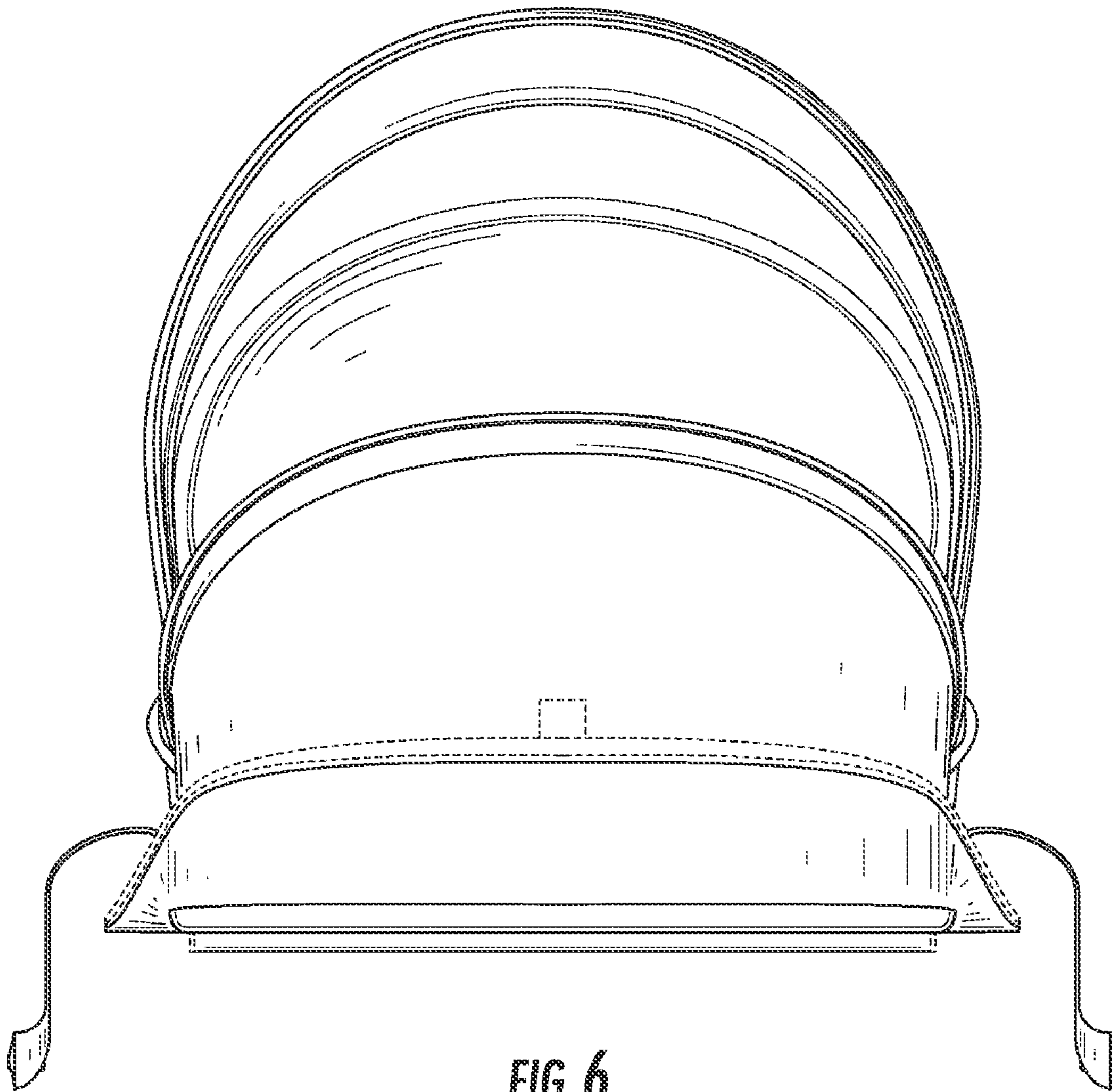


FIG. 6

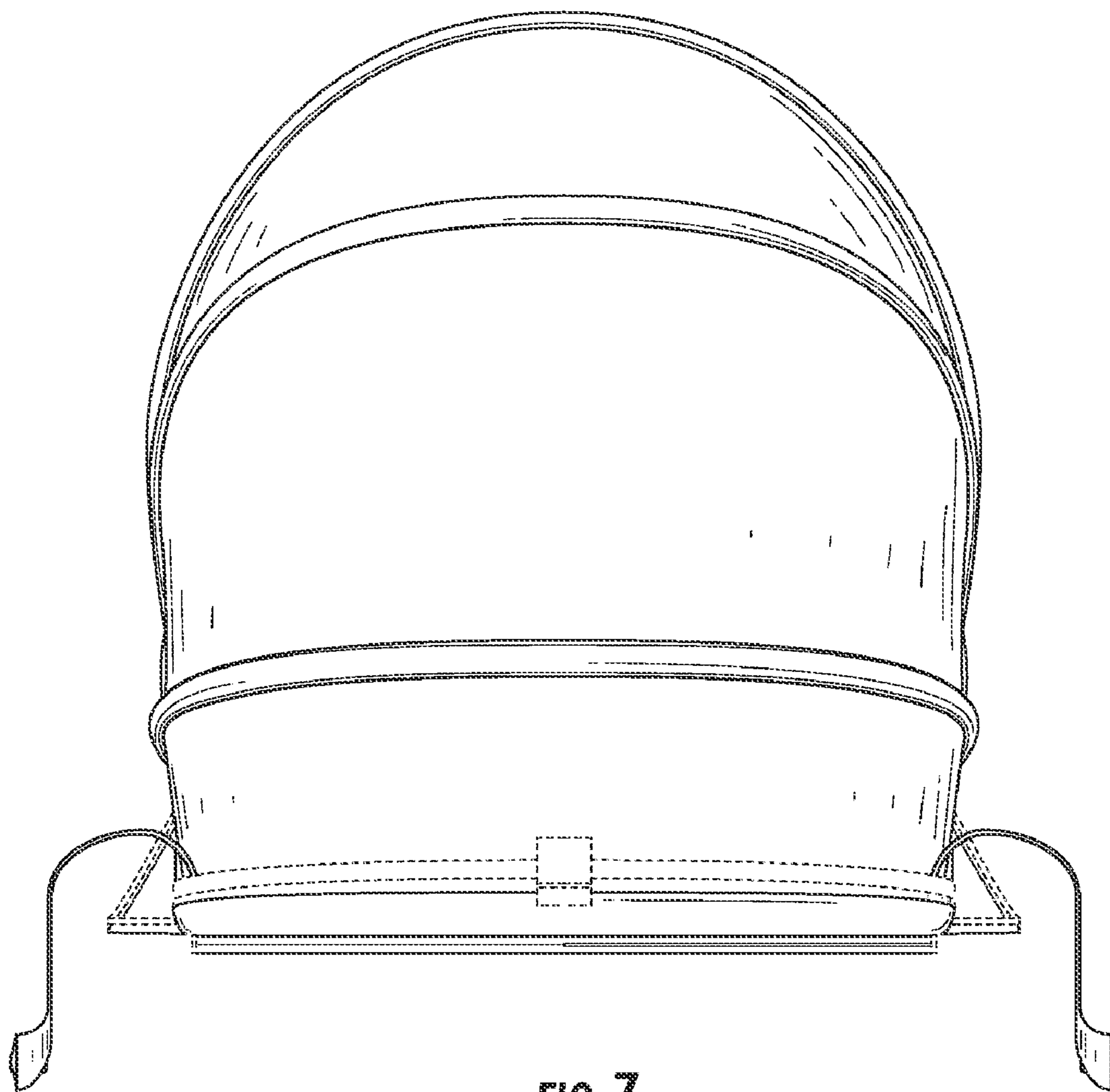


FIG. 7



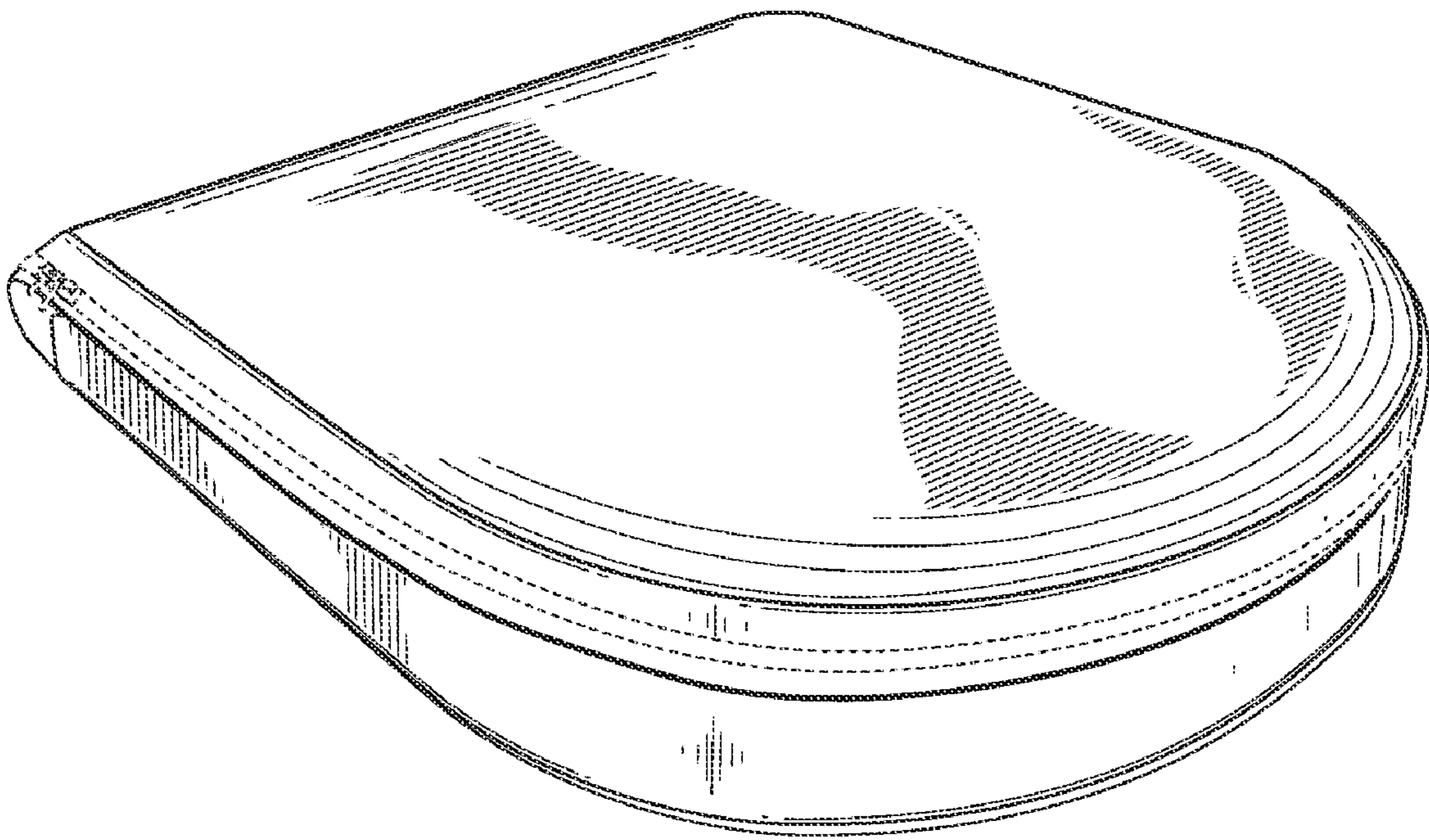


FIG. 8

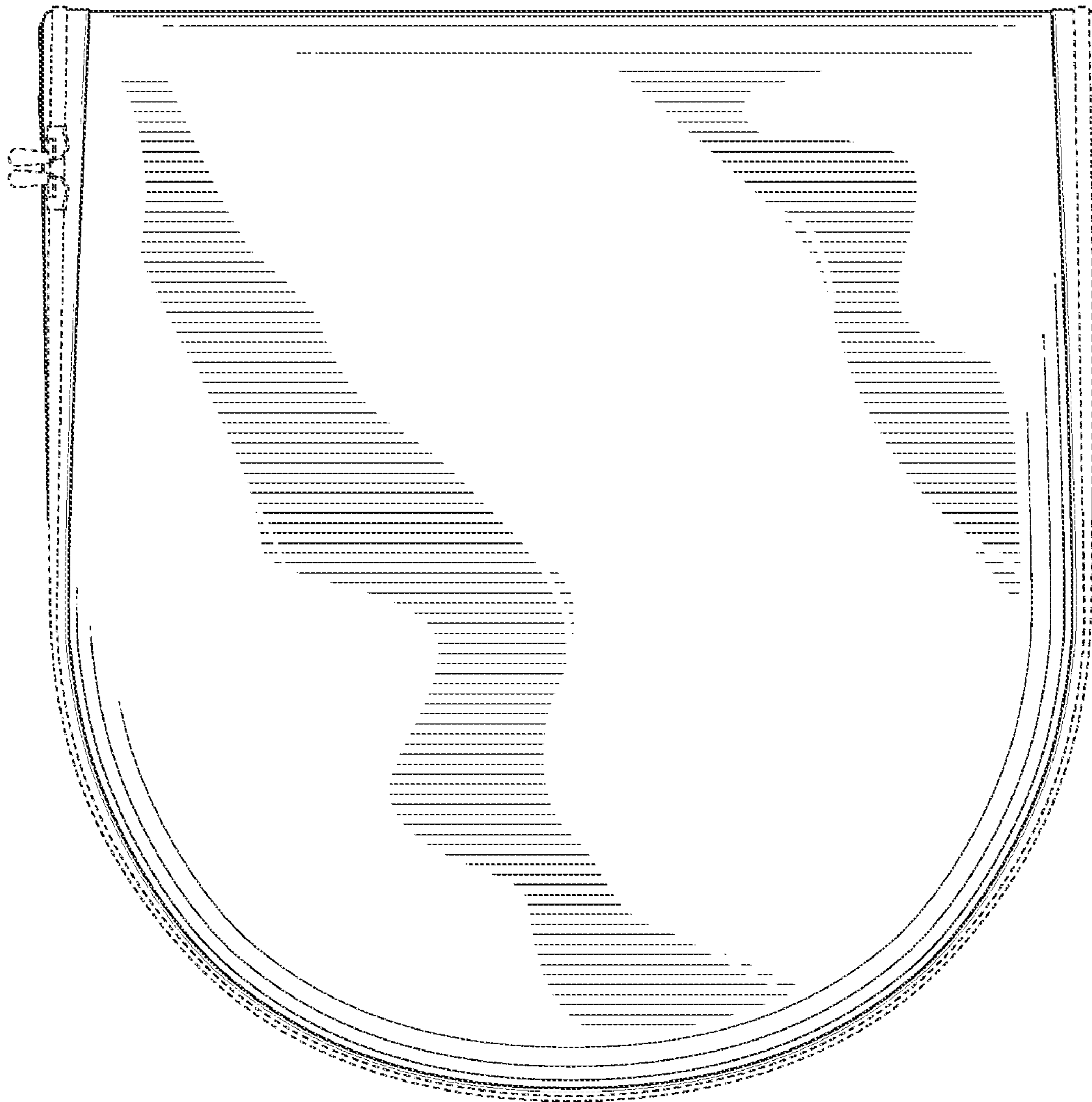


FIG. 9

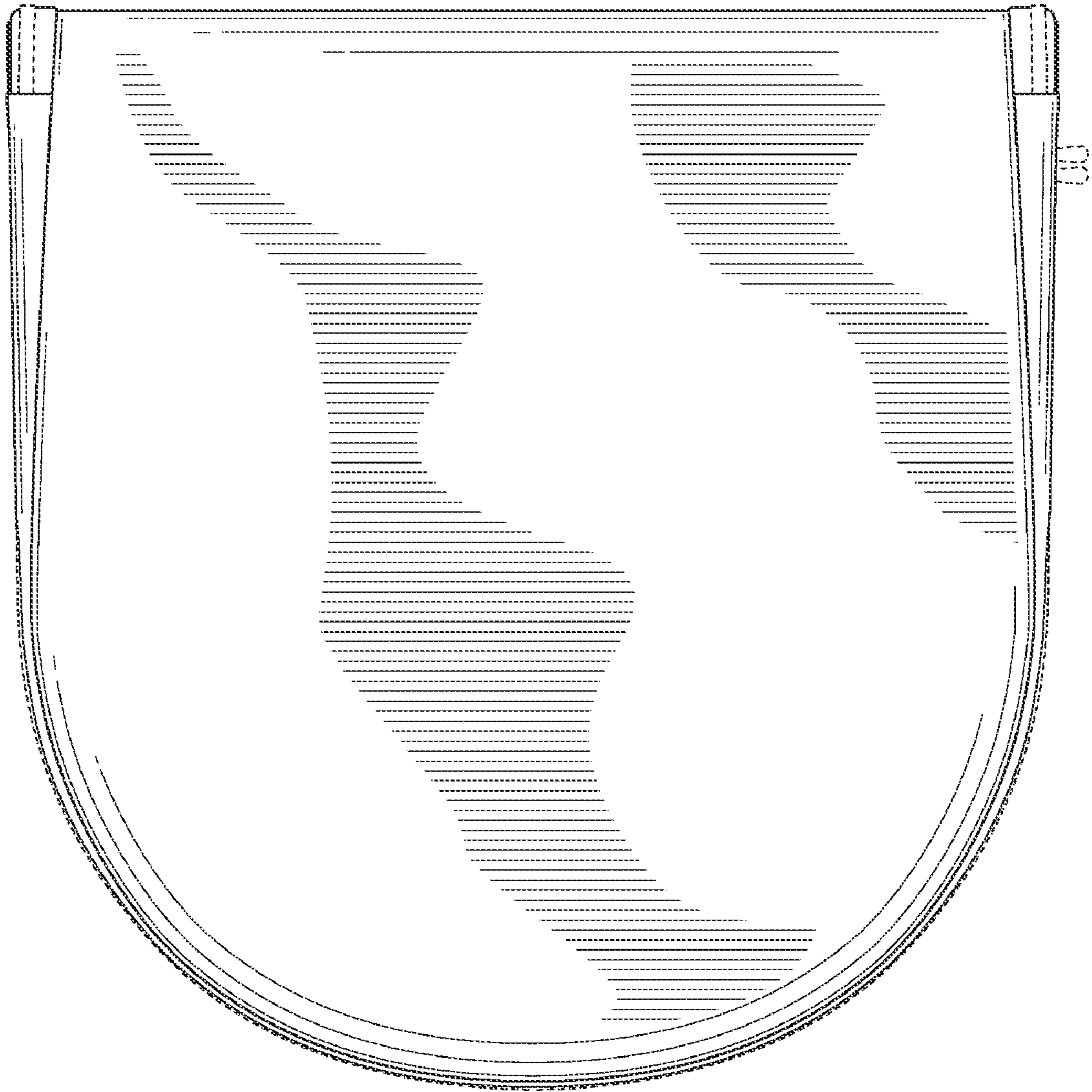
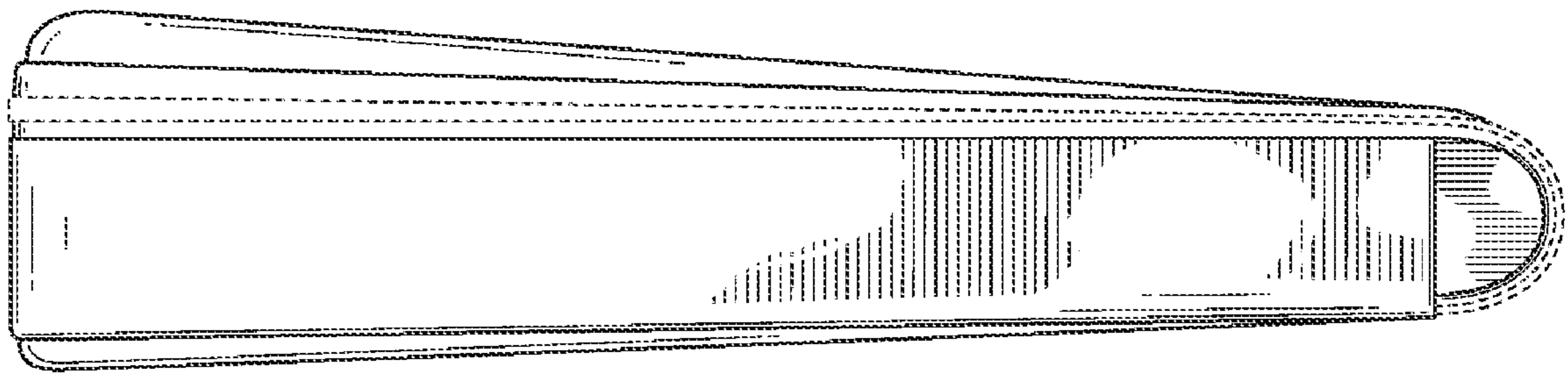
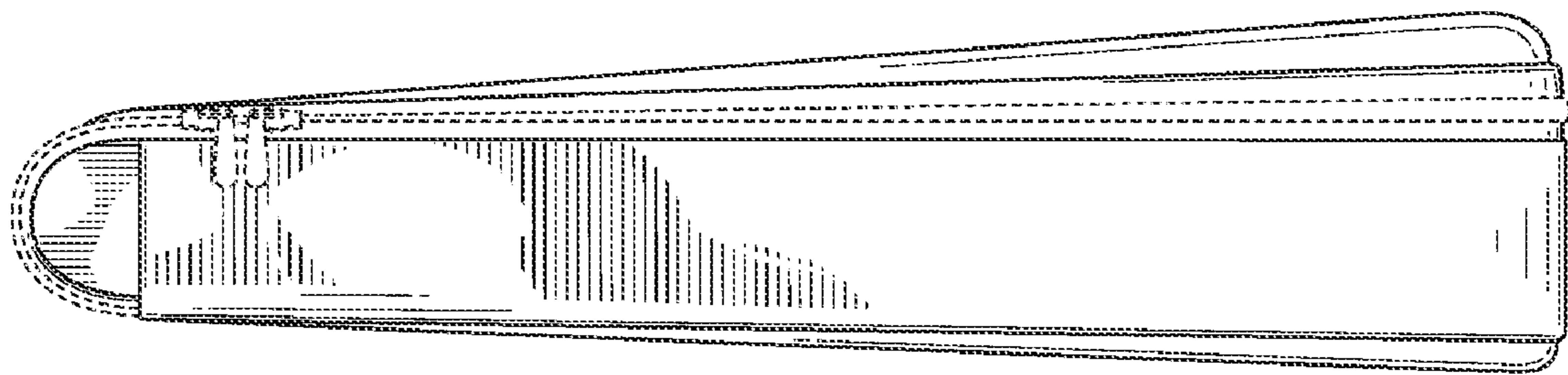


FIG. 10

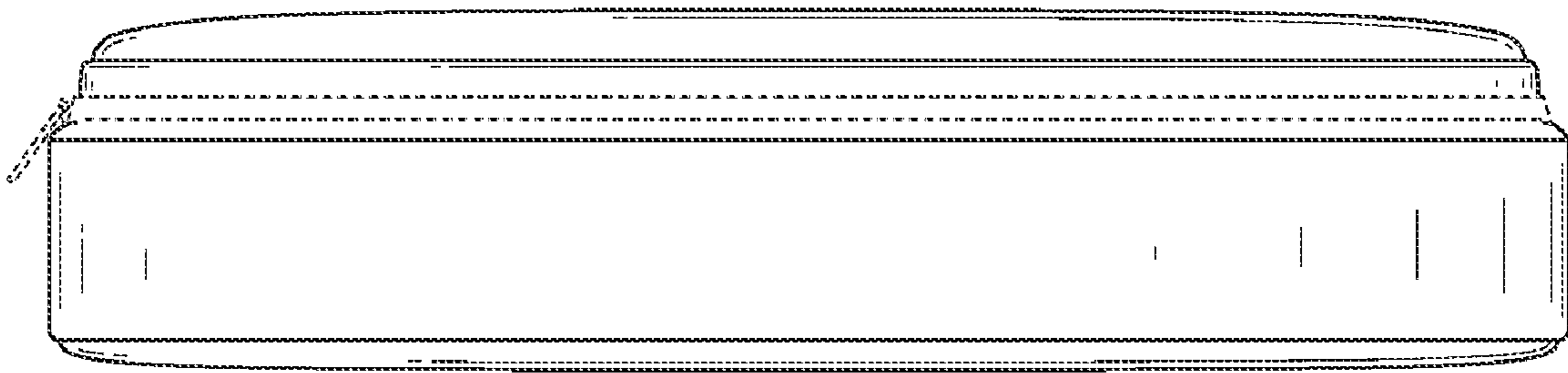




**FIG. 11**



**FIG. 12**



**FIG. 13**



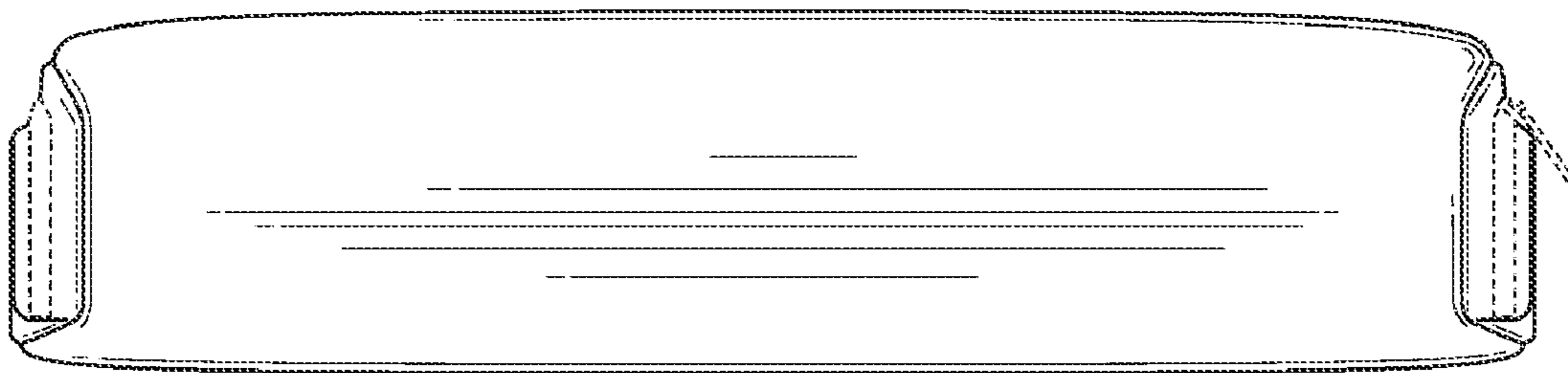


FIG. 14