



US00D577917S

(12) **United States Design Patent**
Park

(10) **Patent No.:** **US D577,917 S**

(45) **Date of Patent:** **** Oct. 7, 2008**

(54) **HAIRBRUSH**

(75) Inventor: **Young-soo Park**, Tokyo (JP)

(73) Assignee: **Y.S. Park Professional Inc**, Tokyo (JP)

(**) Term: **14 Years**

(21) Appl. No.: **29/302,052**

(22) Filed: **Jan. 9, 2008**

(30) **Foreign Application Priority Data**

Jan. 30, 2007 (JP) 2007-018946

(51) **LOC (8) Cl.** **04-02**

(52) **U.S. Cl.** **D4/138; D4/128**

(58) **Field of Classification Search** D4/117,
D4/128, 132-138; D8/107; D7/393, 395,
D7/401.2; 15/27, 143.1, 159.1, 160, 186-188;
16/430; D28/28-30, 35

See application file for complete search history.

(56) **References Cited**

U.S. PATENT DOCUMENTS

D20,006 S * 7/1890 Lessard D4/135
2,633,591 A * 4/1953 Servilla 15/160
D250,069 S * 10/1978 Wachtel D4/128
4,167,192 A * 9/1979 Arnold 132/212
D301,404 S * 6/1989 Fischer D4/128

FOREIGN PATENT DOCUMENTS

JP 2531423 1/1997

WO WO 8904619 A1 * 6/1989

OTHER PUBLICATIONS

Advertisement #1, 1990, Ys Park Hairbrushes.

Advertisement #2, 1990, Ys Park Hairbrushes.

Advertisement #3, 1990, Ys Park Hairbrushes.

* cited by examiner

Primary Examiner—Melanie Tung

Assistant Examiner—Lavone D Tabor

(74) *Attorney, Agent, or Firm*—Amin, Turocy & Calvin, LLP

(57) **CLAIM**

The ornamental design for a hairbrush, as shown and described.

DESCRIPTION

FIG. 1 is a front view of a hairbrush showing the new design;

FIG. 2 is a rear view thereof;

FIG. 3 is a left side view thereof;

FIG. 4 is a right side view thereof;

FIG. 5 is a is a plan view thereof;

FIG. 6 is an 6—6 sectional view of FIG. 1;

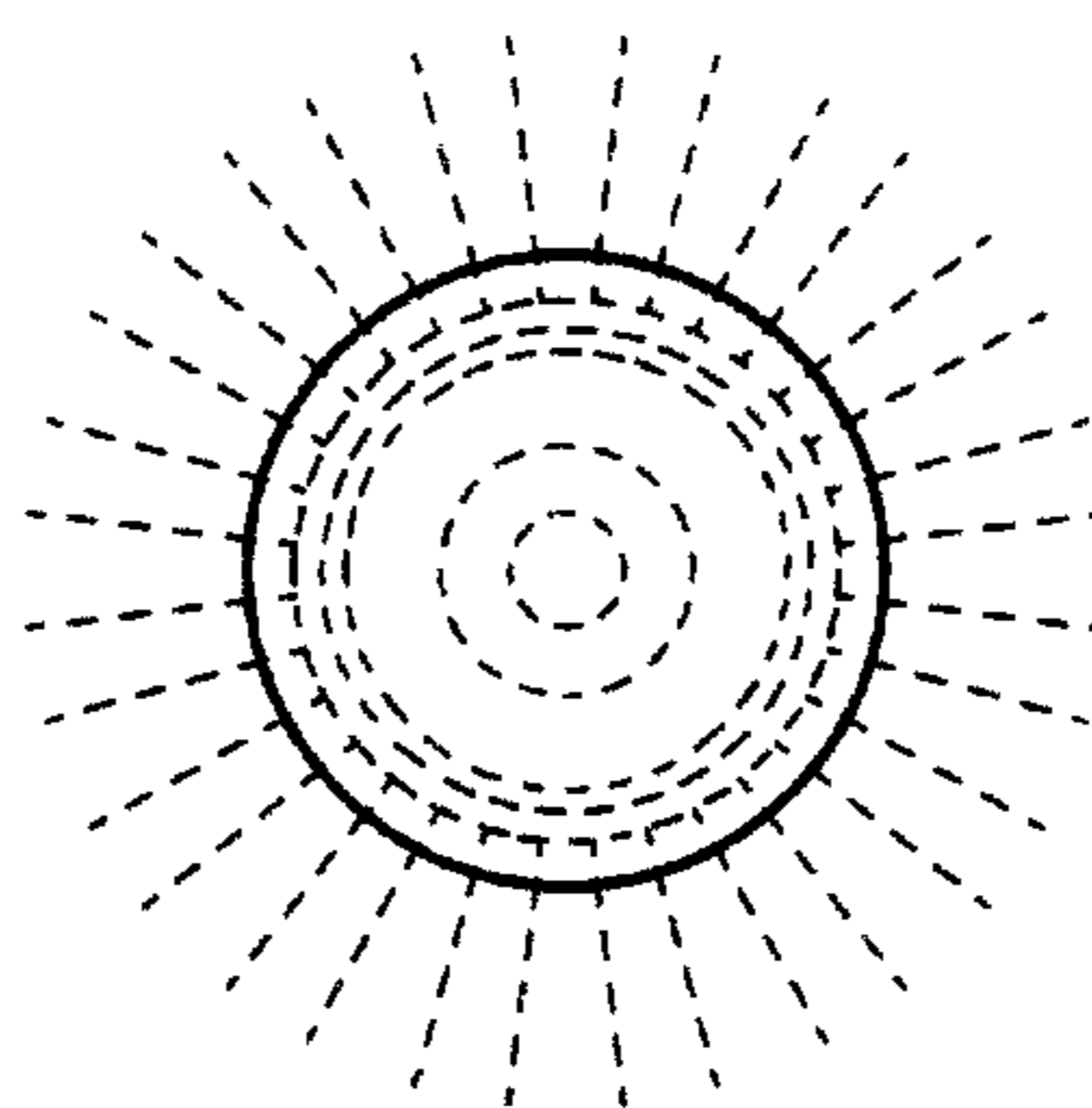
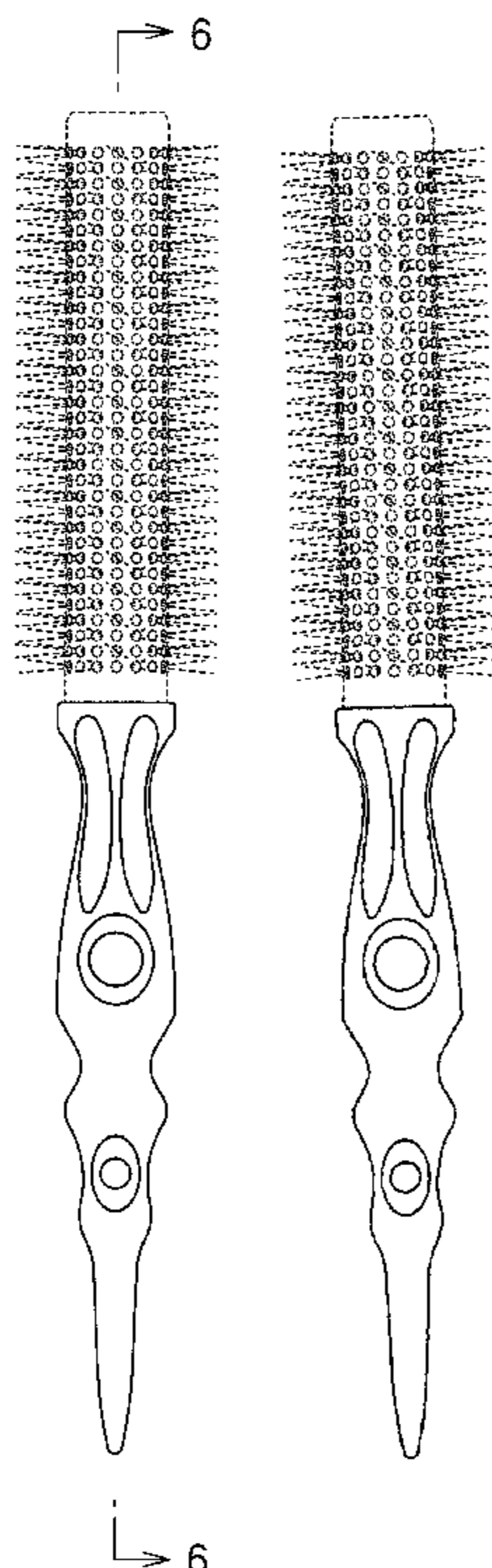
FIG. 7 is a 7—7 sectional view of FIG. 5;

FIG. 8 is a front view showing a modification of the environmental structure; and,

FIG. 9 is a front view showing another modification of the environmental structure.

The broken lines showing environment are included for information purposes only and form no part of the claimed design.

1 Claim, 9 Drawing Sheets



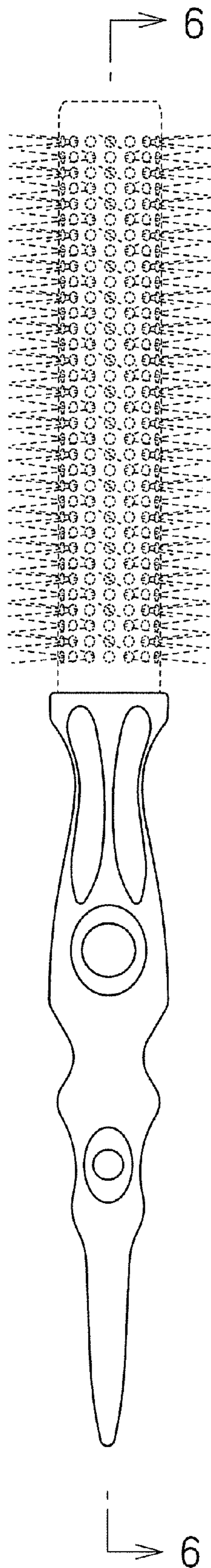


FIGURE 1

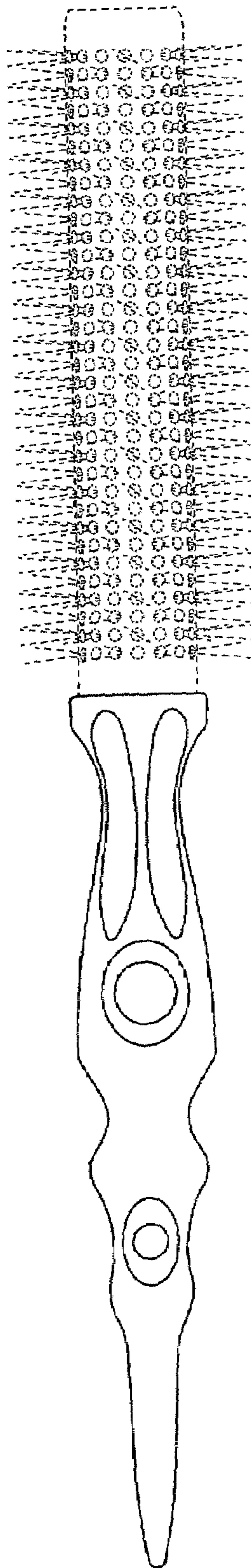


FIGURE 2

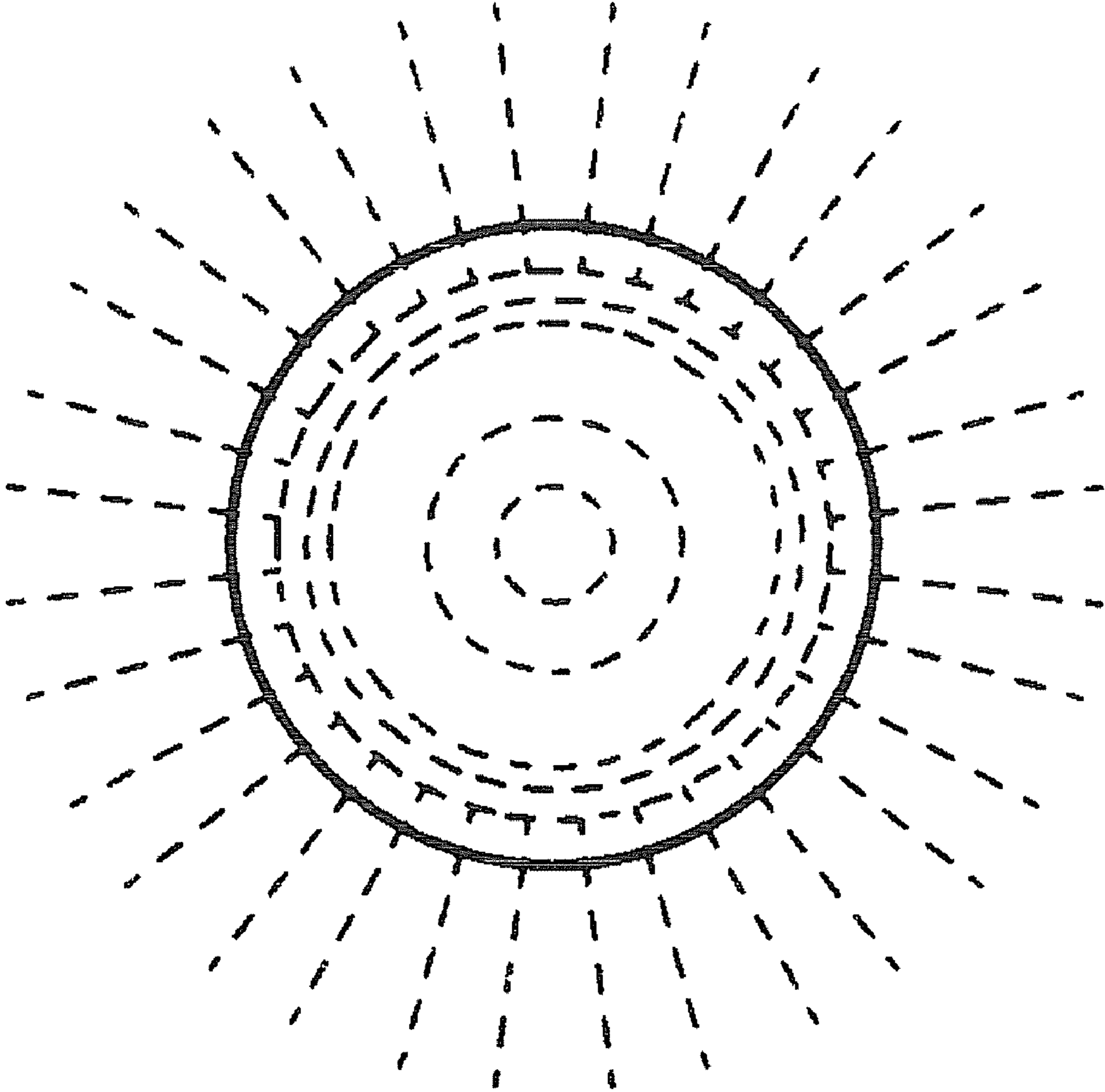


FIGURE 3

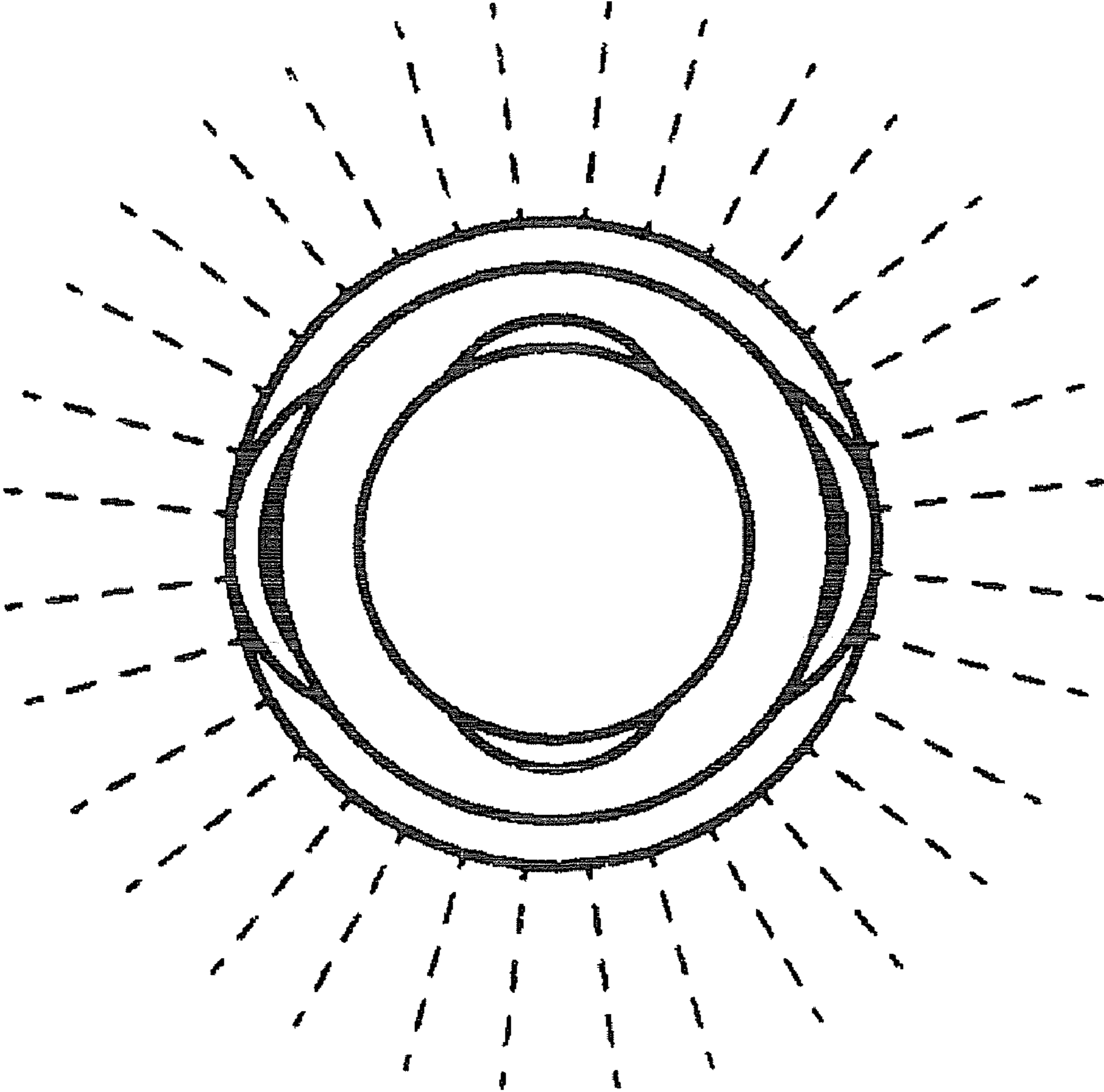


FIGURE 4

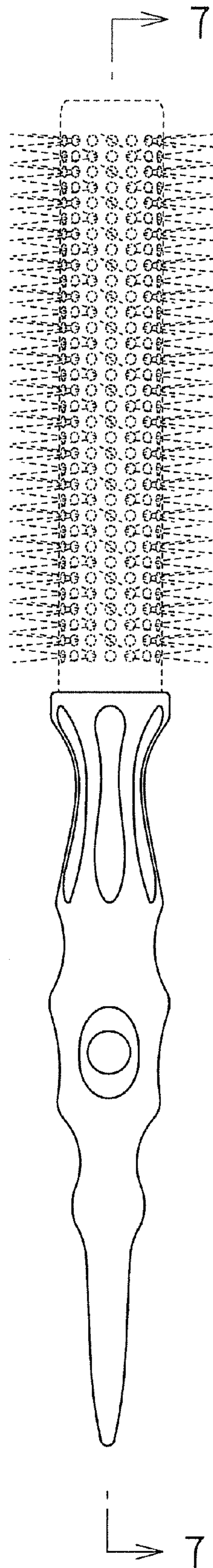


FIGURE 5

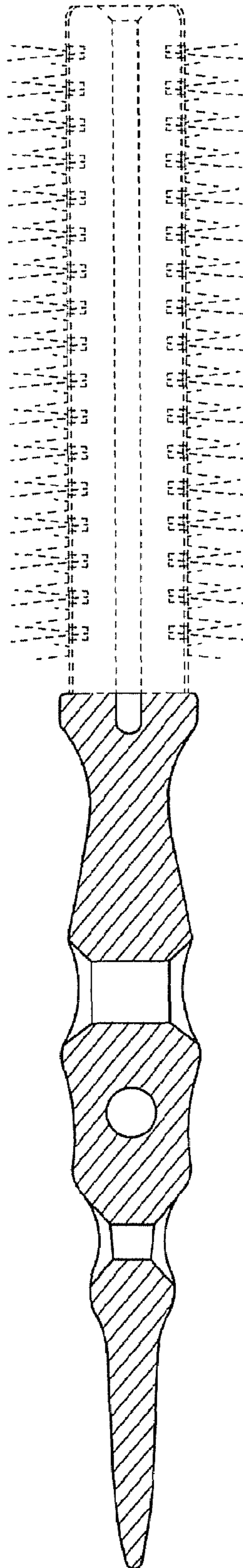


FIGURE 6

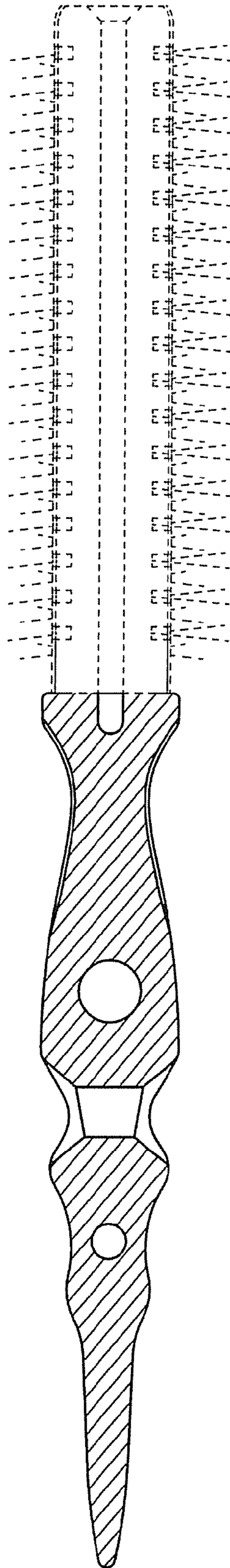


FIGURE 7

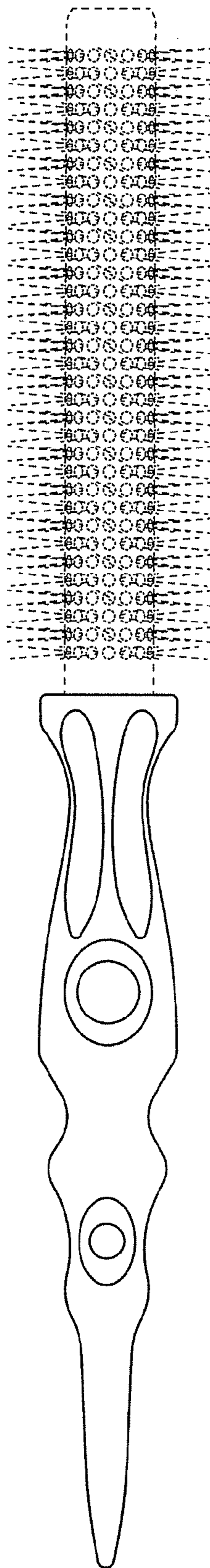


FIGURE 8

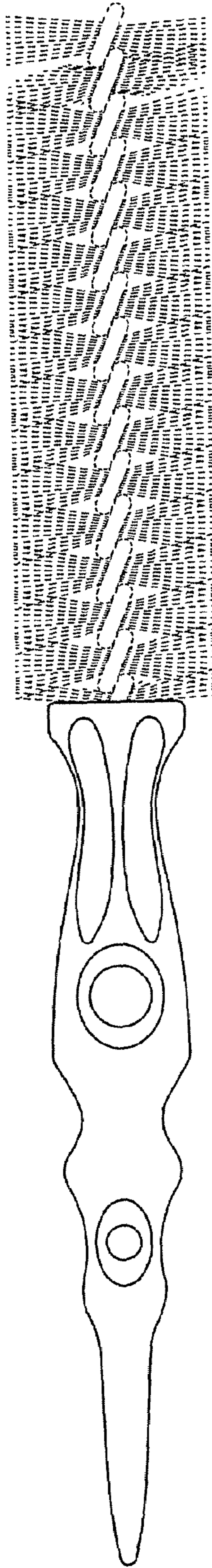


FIGURE 9