



US00D577916S

(12) **United States Design Patent**
Quartarone et al.

(10) **Patent No.:** **US D577,916 S**
(45) **Date of Patent:** **** Oct. 7, 2008**

(54) **GOLF BAG DIVIDER TOP**

(75) Inventors: **Frank A. Quartarone**, Phoenix, AZ
(US); **Douglas W. Anderson**, Phoenix,
AZ (US); **Brian J. McGuire**, Tempe, AZ
(US)

(73) Assignee: **Karsten Manufacturing Corporation**,
Phoenix, AZ (US)

(**) Term: **14 Years**

(21) Appl. No.: **29/283,797**

(22) Filed: **Aug. 23, 2007**

(51) **LOC (8) Cl.** **03-01**

(52) **U.S. Cl.** **D3/320**

(58) **Field of Classification Search** D3/320,
D3/318, 319, 321, 328.1, 328; 150/159,
150/160; 206/315.2–315.8, 315.11; 280/DIG. 6;
473/287

See application file for complete search history.

(56) **References Cited**

U.S. PATENT DOCUMENTS

5,501,328	A	*	3/1996	Keller et al.	206/315.6
D422,789	S	*	4/2000	Sundara et al.	D3/320
D501,604	S		2/2005	Kadoya		
6,877,604	B2	*	4/2005	Pratt et al.	206/315.6
D513,876	S	*	1/2006	Solheim et al.	D3/320
D513,877	S	*	1/2006	Solheim et al.	D3/320
D513,878	S	*	1/2006	Anderson et al.	D3/320
D515,316	S		2/2006	Chang		
D517,808	S	*	3/2006	Reimers et al.	D3/320
D520,751	S	*	5/2006	Chang	D3/320
D520,752	S	*	5/2006	Solheim et al.	D3/320
D522,754	S	*	6/2006	Anderson	D3/320
D523,639	S	*	6/2006	Vosloo et al.	D3/320
D523,640	S		6/2006	Vosloo et al.		
D525,034	S		7/2006	Vosloo		
D526,124	S		8/2006	Vosloo		
D528,799	S		9/2006	Vosloo		
D530,922	S	*	10/2006	Anderson	D3/320
D534,355	S	*	1/2007	Renahan	D3/320
D537,252	S		2/2007	Vosloo et al.		

D537,634	S	*	3/2007	Renahan	D3/320
D537,635	S		3/2007	Vosloo et al.		
D538,042	S	*	3/2007	Suggs	D3/320
7,213,705	B2		5/2007	Pratt et al.		
D544,210	S	*	6/2007	McGuire et al.	D3/320
D546,064	S	*	7/2007	Vosloo et al.	D3/320
D546,561	S	*	7/2007	Vosloo et al.	D3/320
D557,501	S	*	12/2007	Suggs et al.	D3/320
D557,502	S	*	12/2007	Quartarone et al.	D3/320
D566,398	S	*	4/2008	Hooley	D3/320
D566,965	S	*	4/2008	Hooley	D3/320
D566,966	S	*	4/2008	Hooley	D3/320
2005/0189245	A1		9/2005	Pratt et al.		

* cited by examiner

Primary Examiner—Holly H. Baynham

Assistant Examiner—Sheryl Lane

(74) *Attorney, Agent, or Firm*—Darrell F. Marquette

(57) **CLAIM**

The ornamental design for a golf bag divider top, as shown and described.

DESCRIPTION

FIG. 1 is a top perspective view of a golf bag divider top showing our new design;

FIG. 2 is a bottom perspective view of the golf bag divider top shown in FIG. 1;

FIG. 3 is end view of the golf bag divider top shown in FIG. 1;

FIG. 4 is an opposite end view of the golf bag divider top shown in FIG. 1;

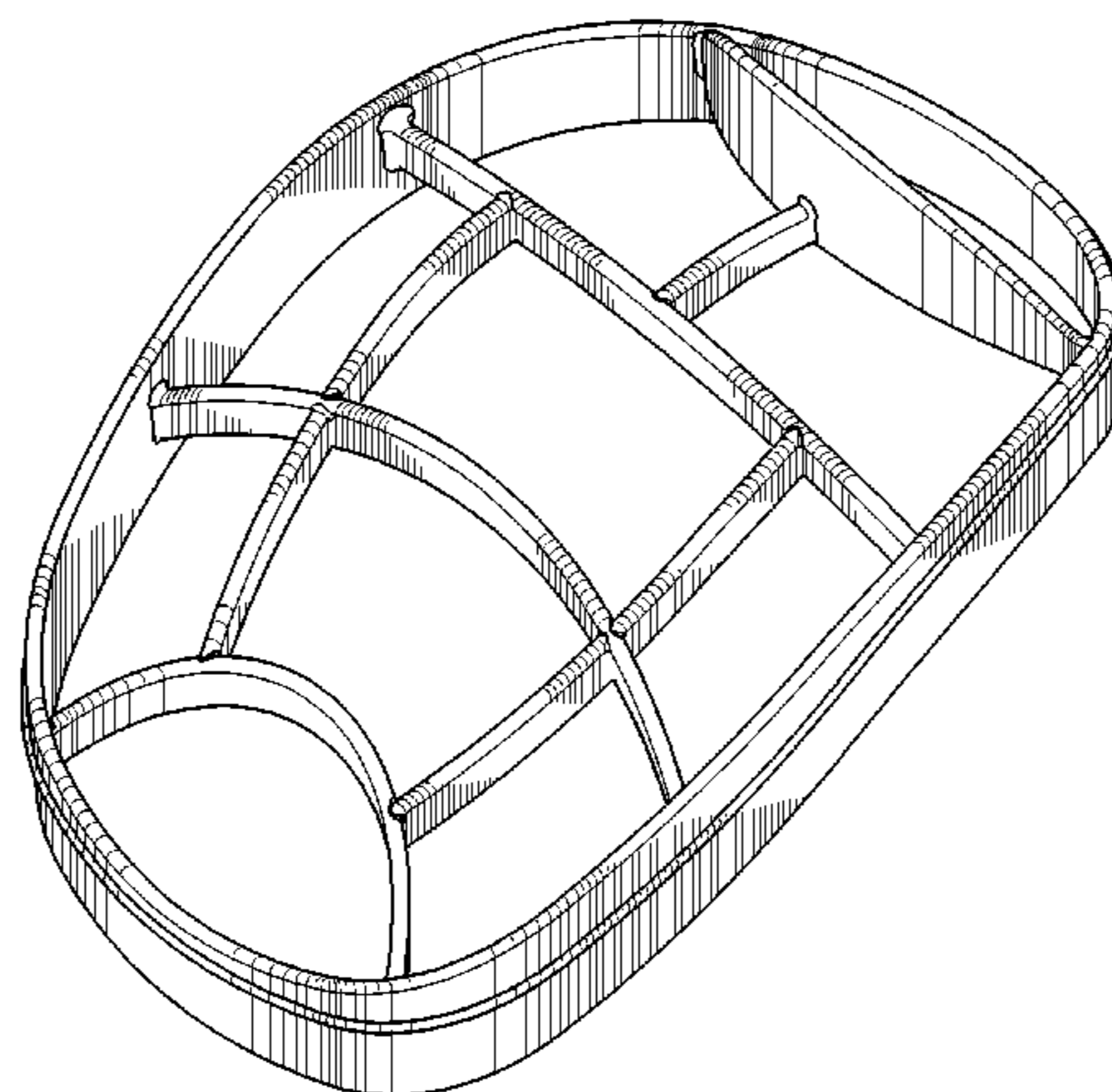
FIG. 5 is a top plan view of the golf bag divider top shown in FIG. 1;

FIG. 6 is a bottom view of the golf bag divider top shown in FIG. 1;

FIG. 7 is a side view of the golf bag divider top taken from the right in FIG. 5; and,

FIG. 8 is another side view of the golf bag divider top taken from the left in FIG. 5.

1 Claim, 6 Drawing Sheets



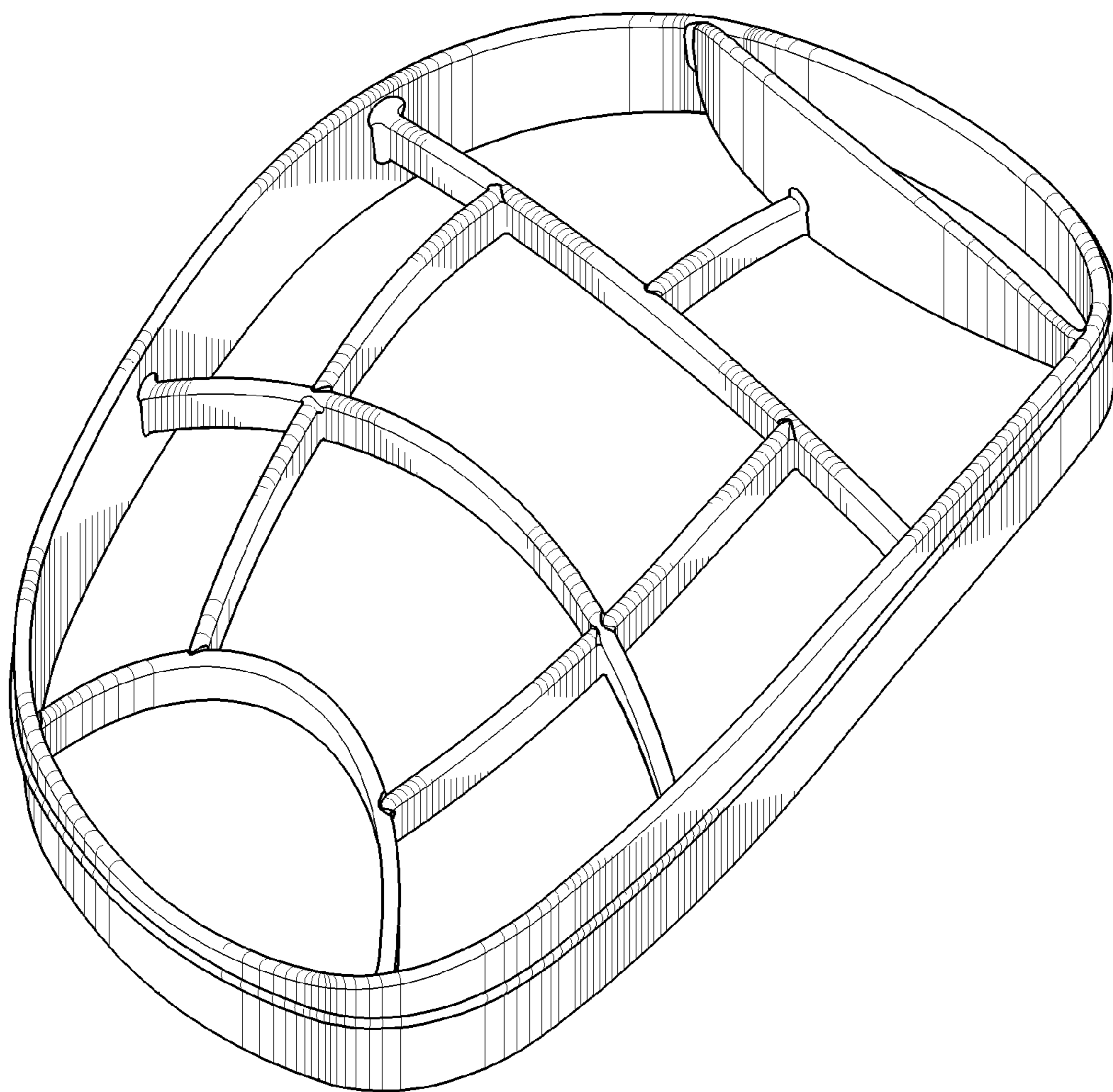


Fig. 1

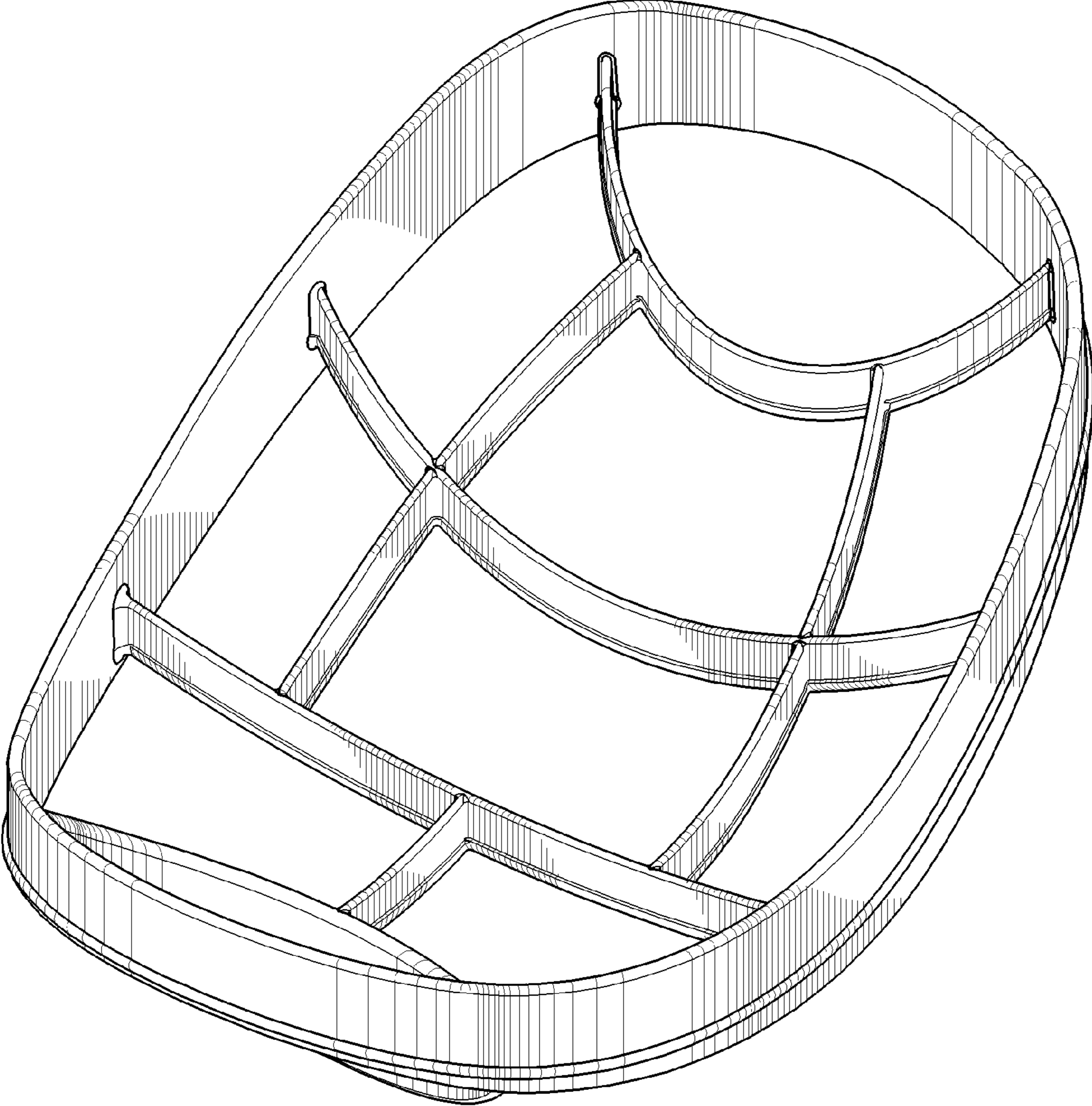


Fig. 2

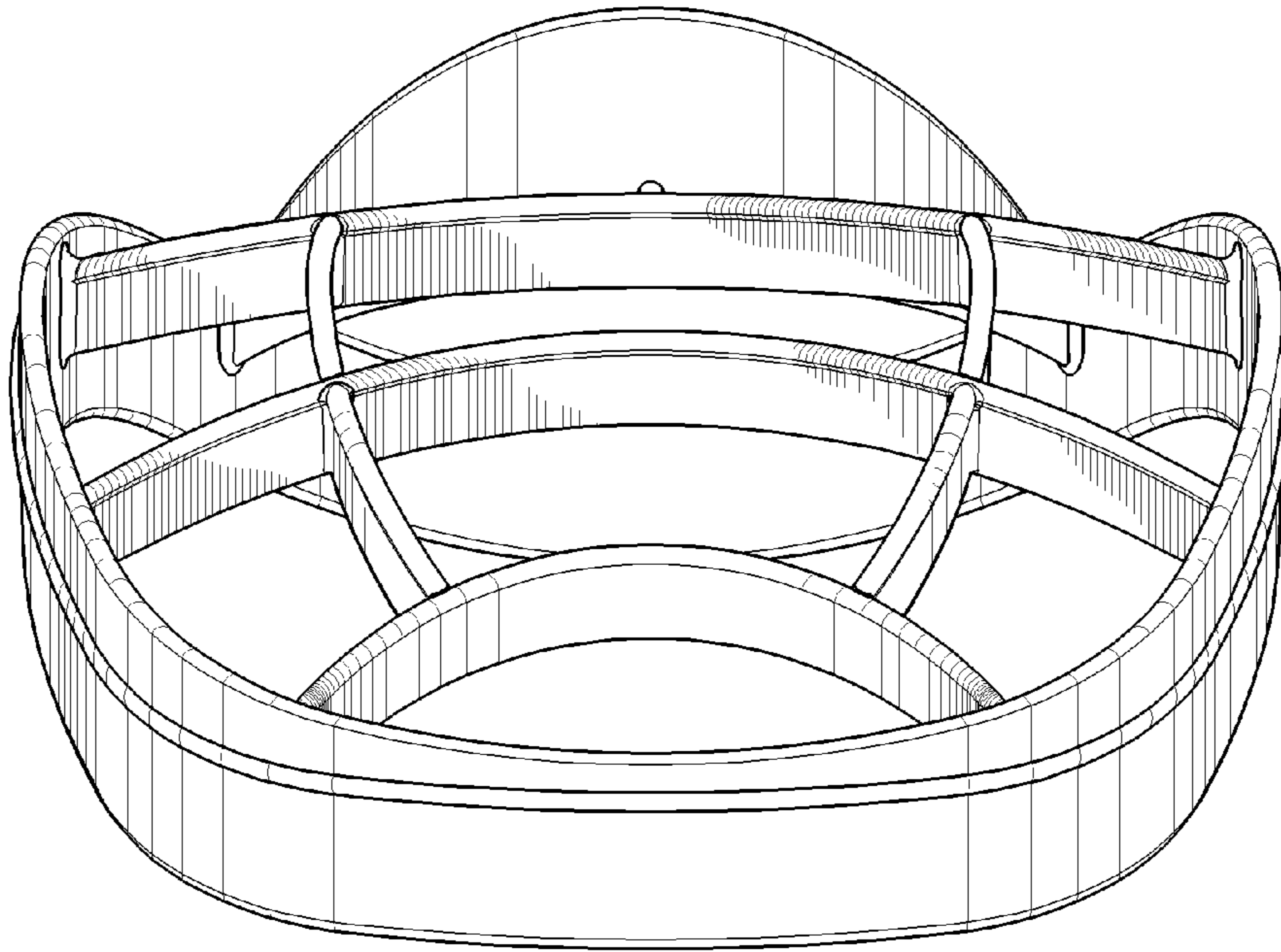


Fig. 3

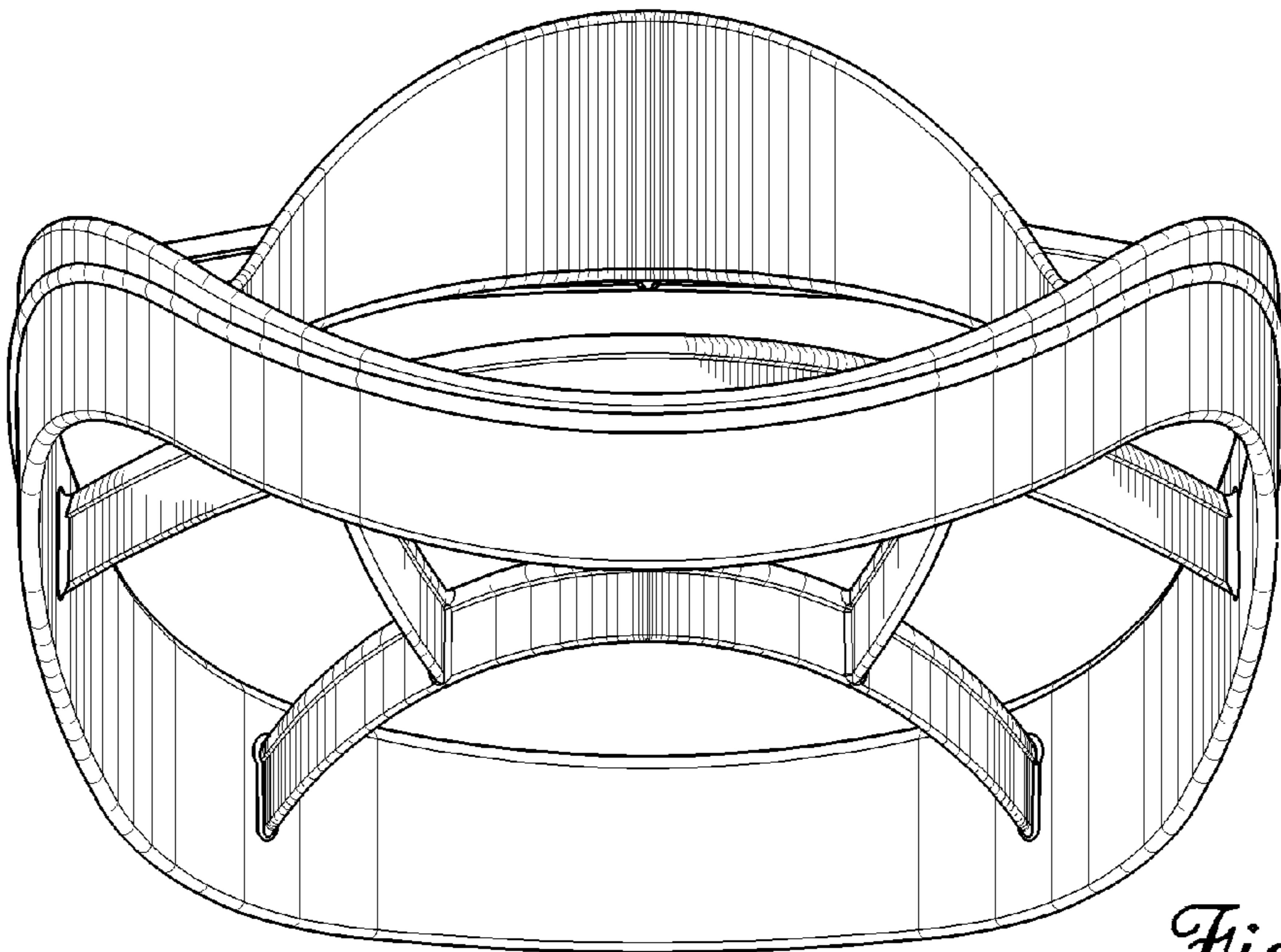


Fig. 4

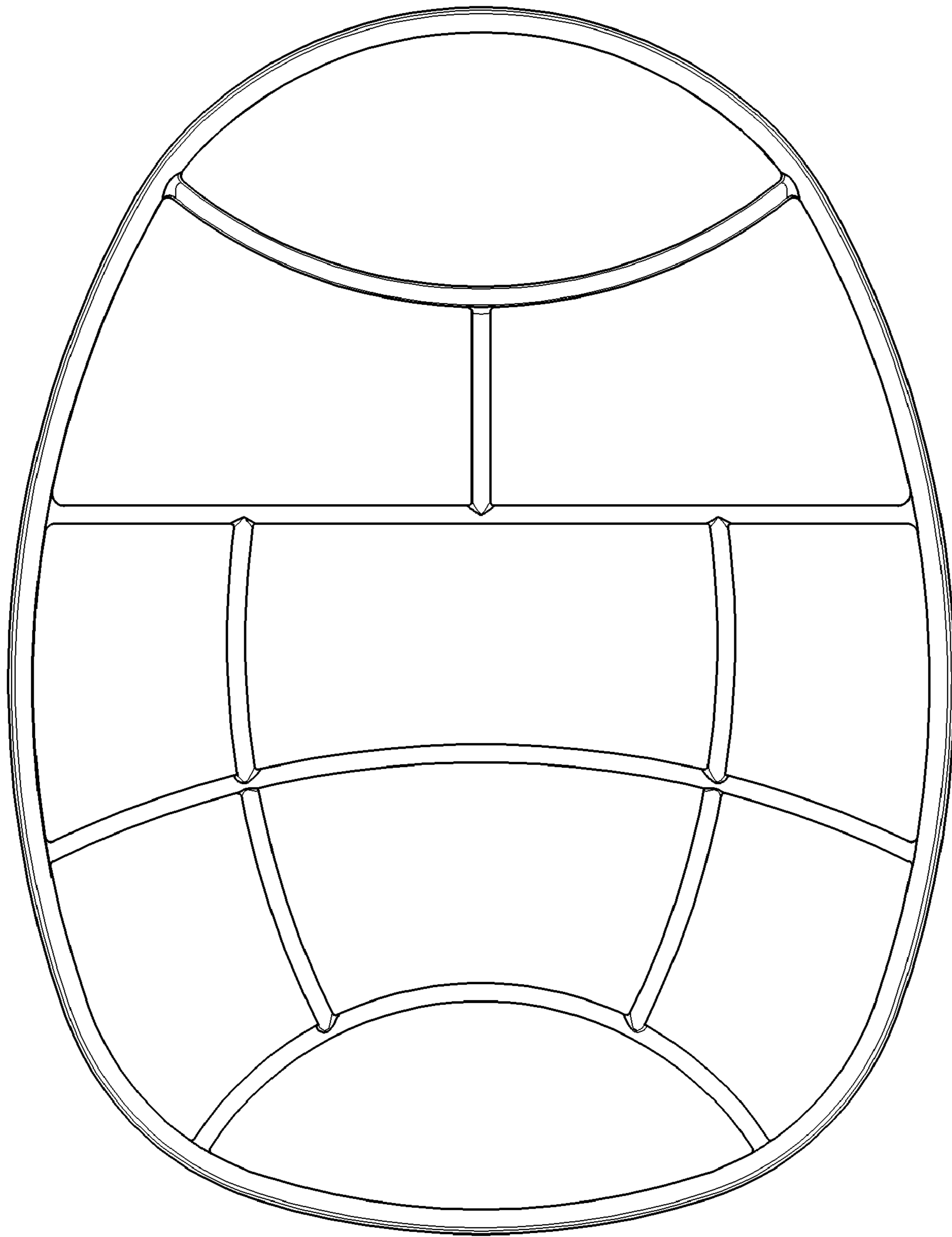


Fig. 5

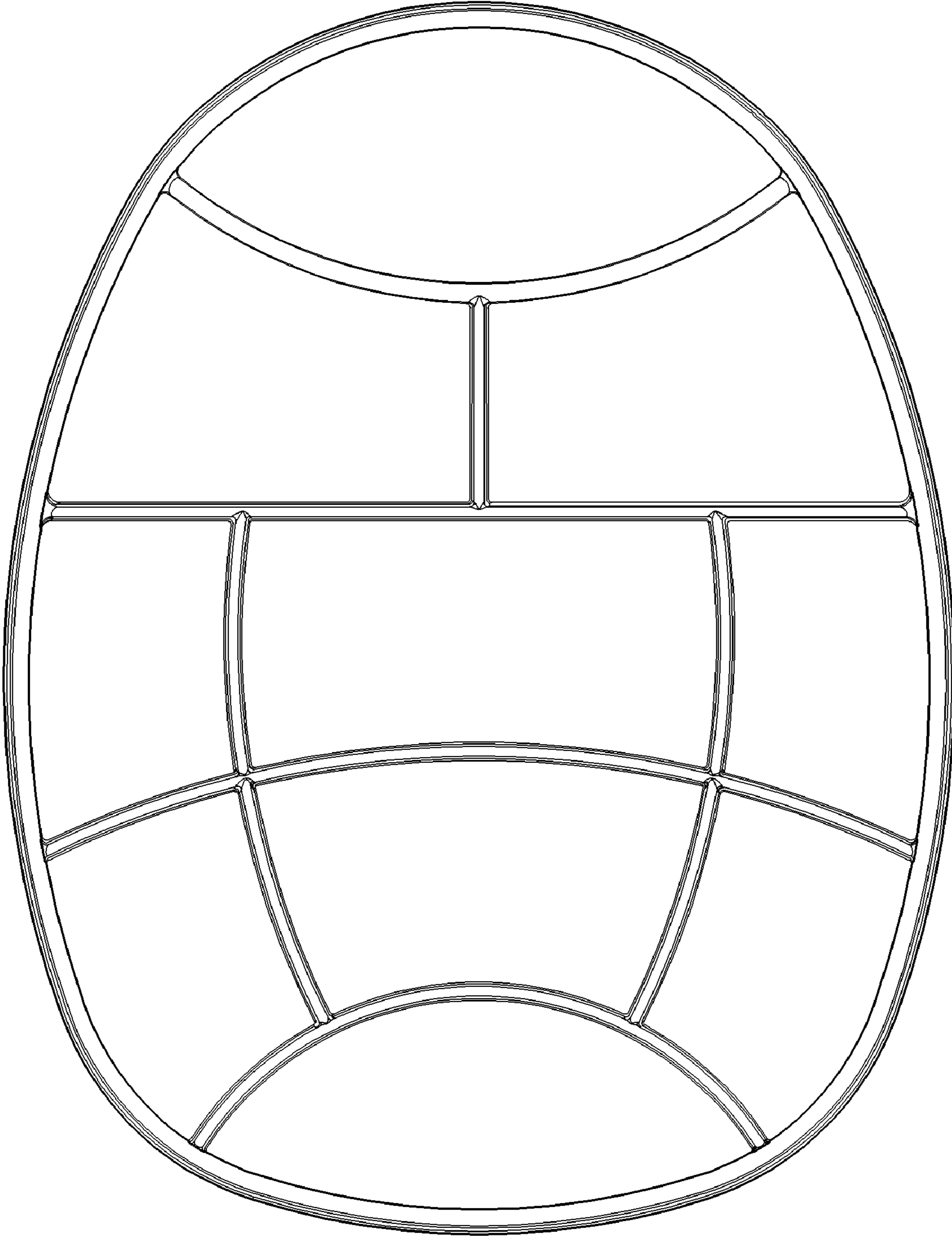


Fig. 6

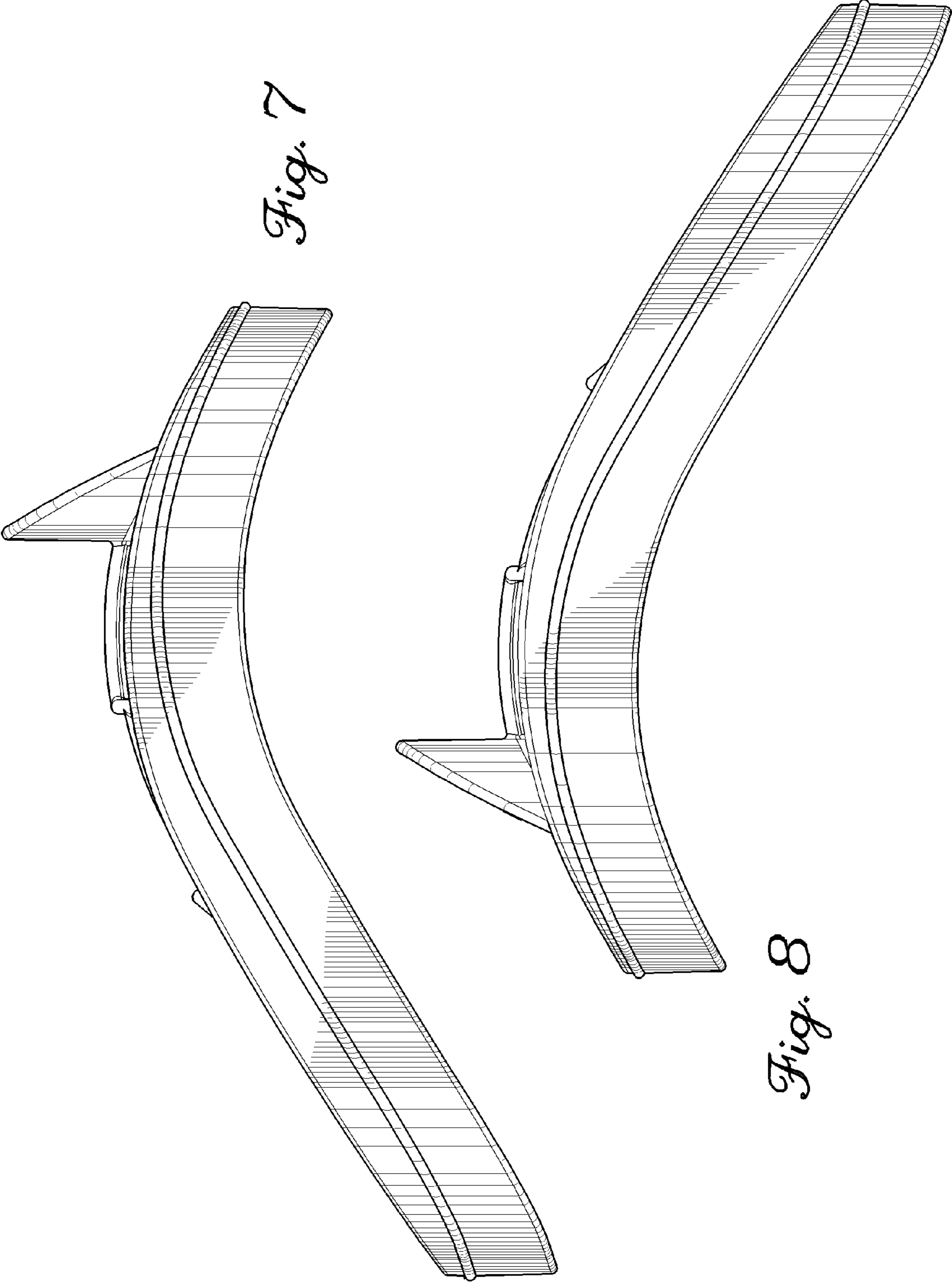


Fig. 7

Fig. 8