



US00D577910S

(12) **United States Design Patent**
Hollinger

(10) **Patent No.:** **US D577,910 S**

(45) **Date of Patent:** **** Oct. 7, 2008**

(54) **WALLET**

(75) Inventor: **Kerry Hollinger**, Paris (FR)

(73) Assignee: **Hermes Sellier**, Paris (FR)

(**) Term: **14 Years**

(21) Appl. No.: **29/295,626**

(22) Filed: **Oct. 2, 2007**

(30) **Foreign Application Priority Data**

Apr. 3, 2007 (EM) 000700869-0019

(51) **LOC (8) Cl.** **03-01**

(52) **U.S. Cl.** **D3/247**

(58) **Field of Classification Search** D3/247,
D3/248, 249, 250, 251, 253; 150/131, 132,
150/133, 134, 135, 136, 137, 138, 139, 140,
150/141, 142, 143, 144, 145, 146, 147, 148,
150/149; D19/9, 10, 75; 206/37, 38, 39,
206/39.4, 449, 815; 224/269, 666, 669, 670;
383/38

See application file for complete search history.

(56) **References Cited**

U.S. PATENT DOCUMENTS

90,997 A * 6/1869 Currie 150/134

377,373 A * 2/1888 Ebert 150/134
1,833,881 A * 11/1931 Hughes 150/132
1,887,502 A * 11/1932 Epstein 150/149
D527,897 S * 9/2006 Gonzalez D3/247
D543,356 S * 5/2007 Gonzalez D3/247

* cited by examiner

Primary Examiner—Louis S Zarfaz

Assistant Examiner—Monica A Weingart

(74) *Attorney, Agent, or Firm*—Foley & Lardner LLP

(57) **CLAIM**

The ornamental design for wallet, as shown and described.

DESCRIPTION

FIG. 1 is a front perspective view of a wallet showing my new design;

FIG. 2 is a front elevation view thereof;

FIG. 3 is a top plan view thereof

FIG. 4 is a right side elevation view thereof;

FIG. 5 is a left side elevation view thereof;

FIG. 6 is a bottom plan view thereof; and,

FIG. 7 is a rear elevation view thereof.

1 Claim, 3 Drawing Sheets





Fig. 1

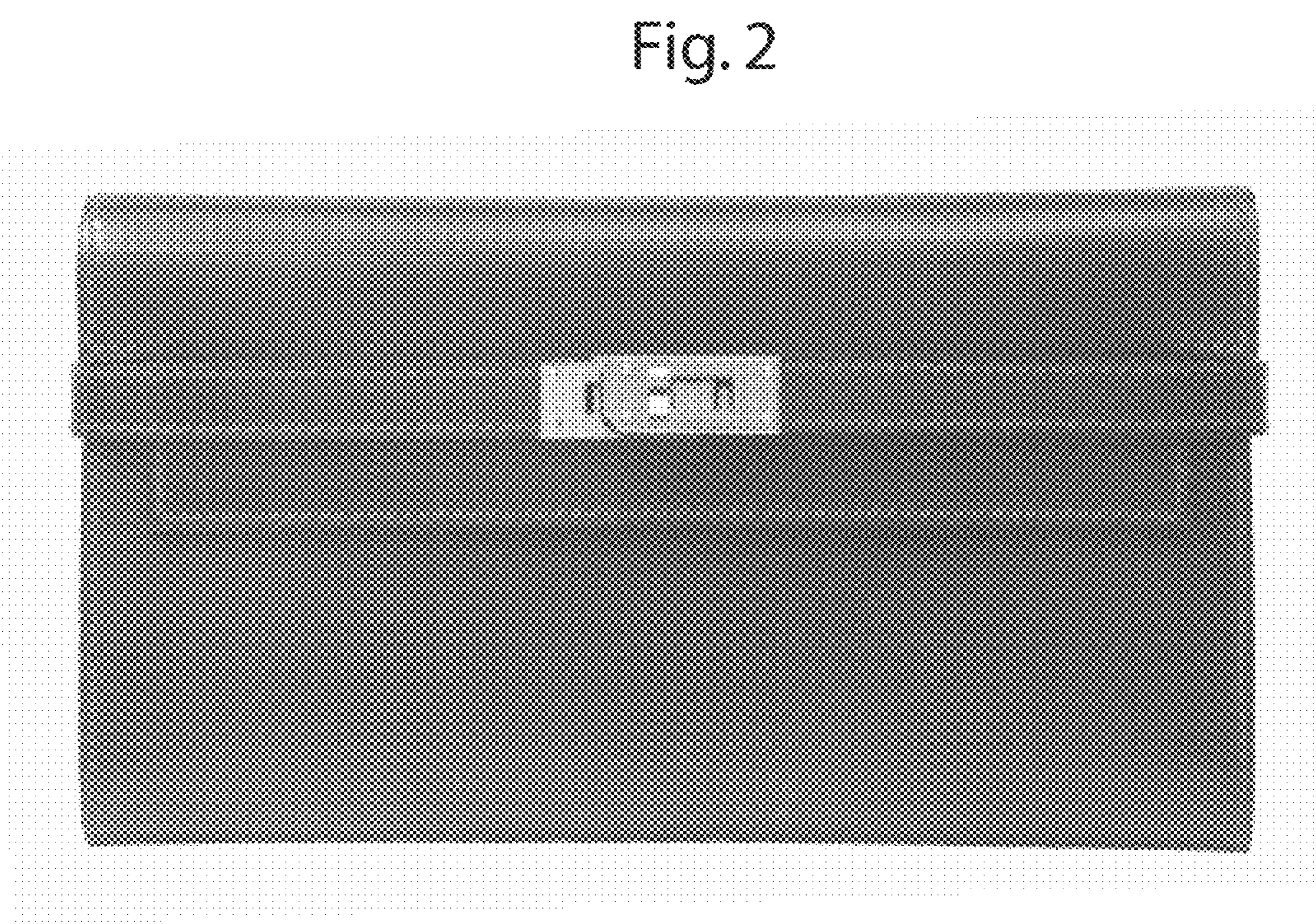


Fig. 2

Fig. 3

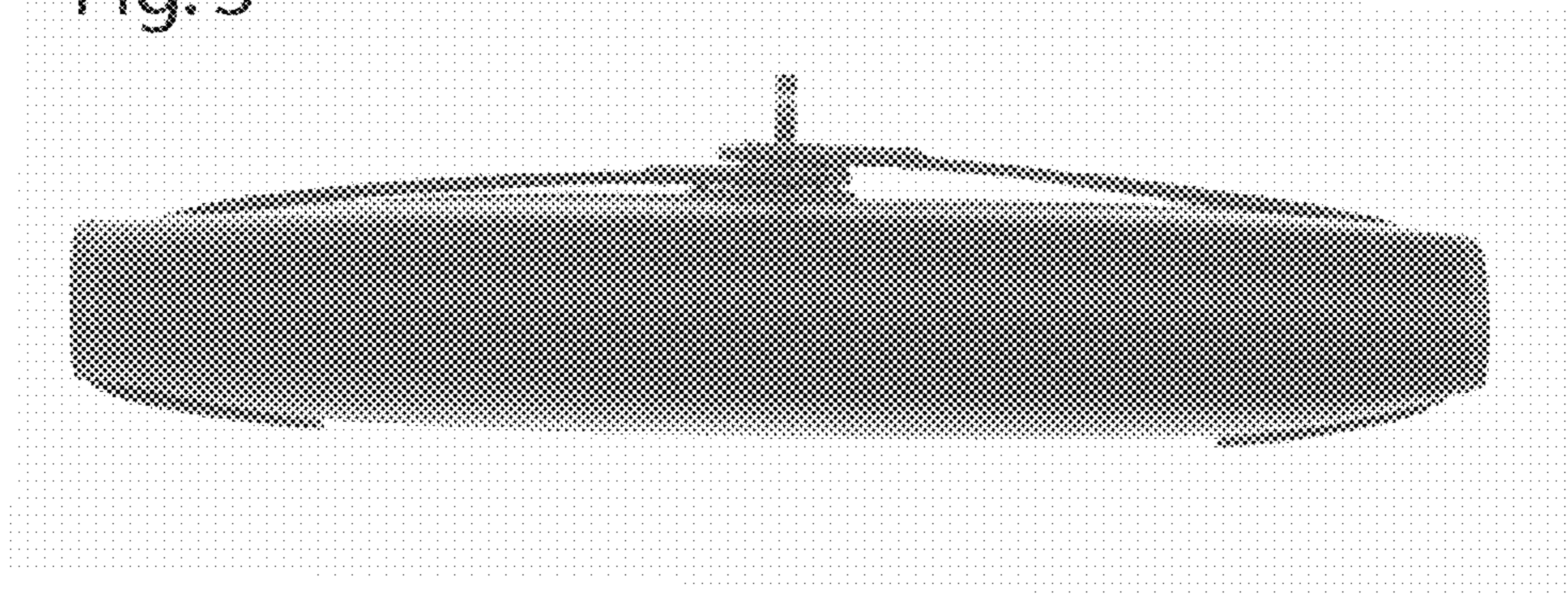


Fig. 4

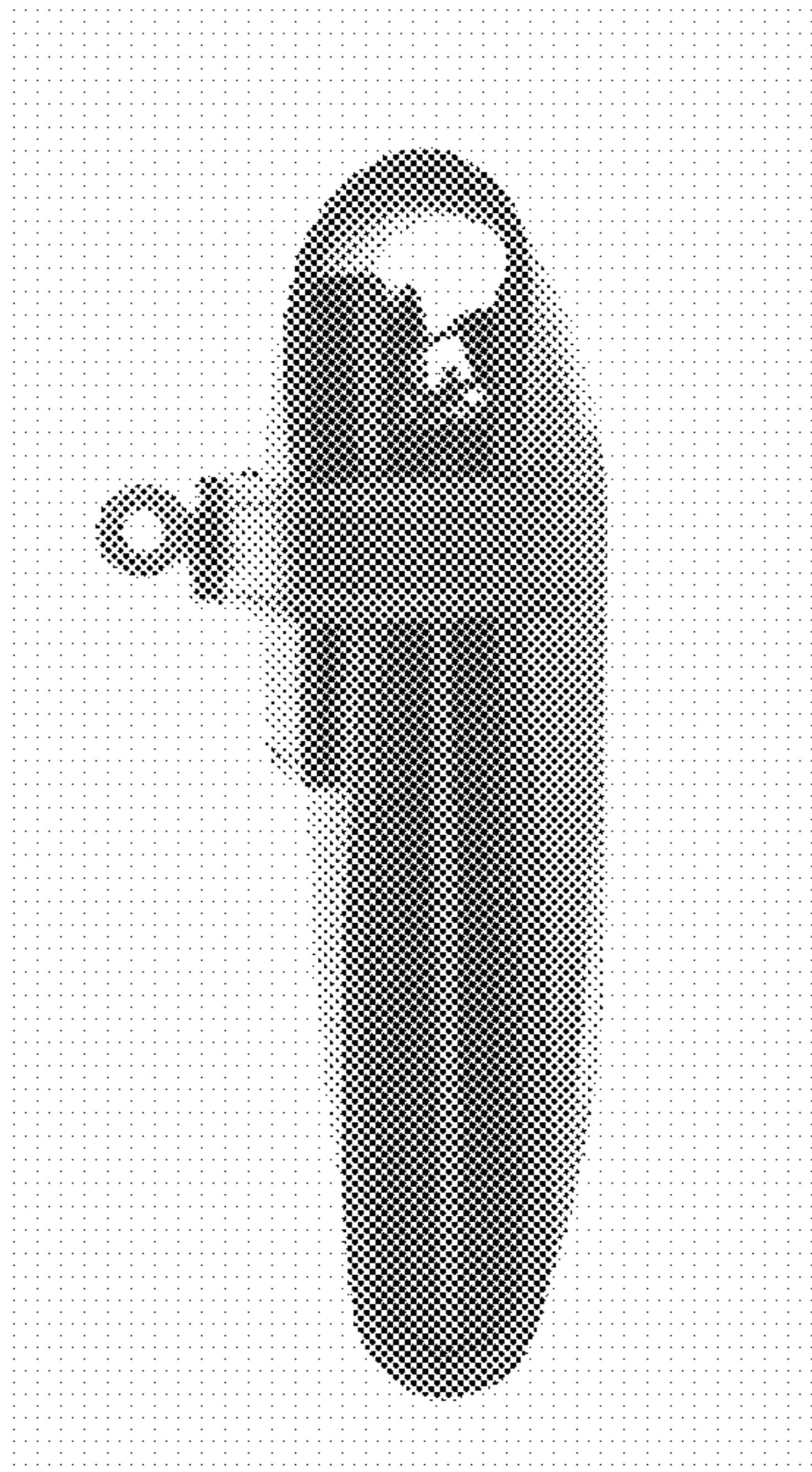


Fig. 5

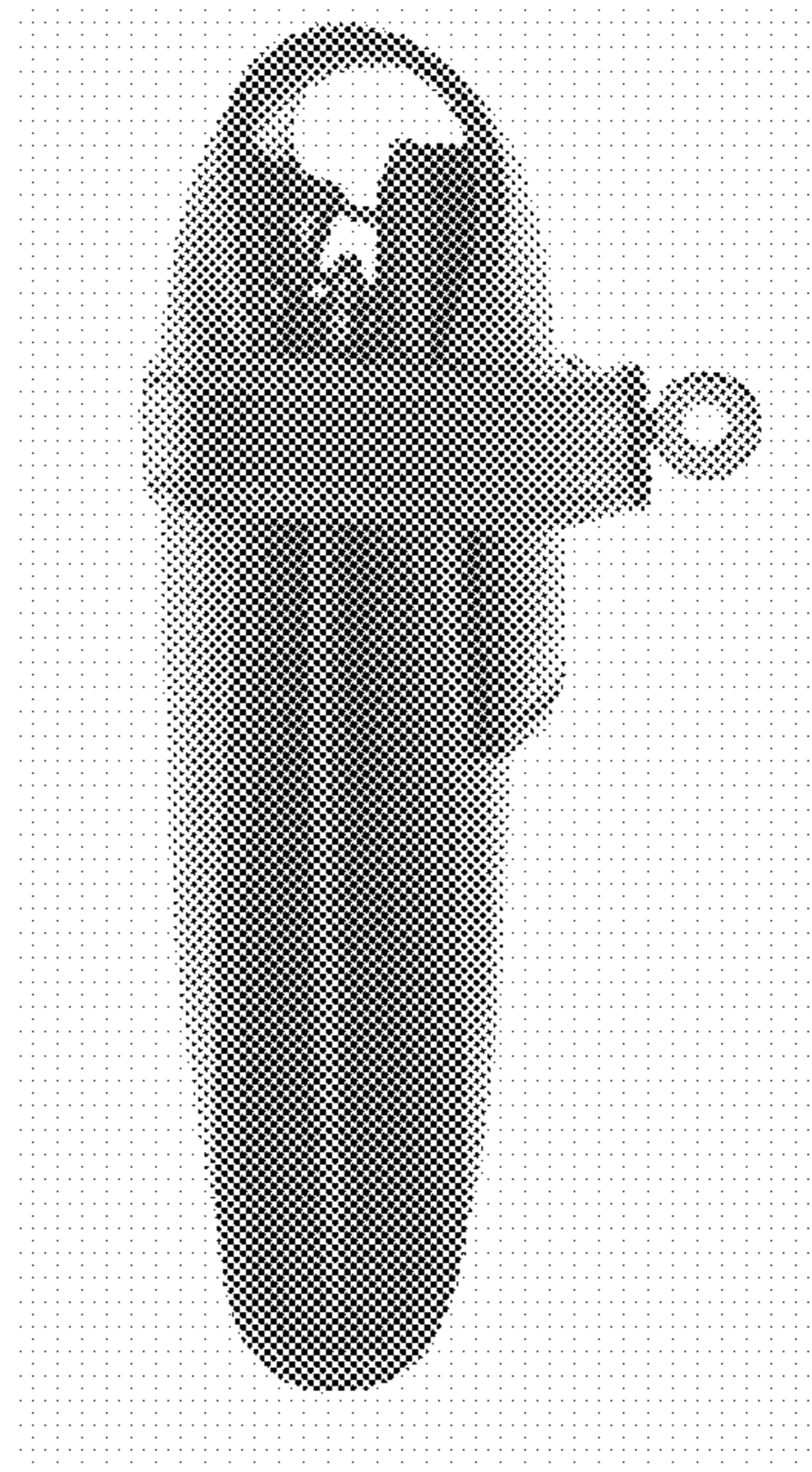


Fig. 6

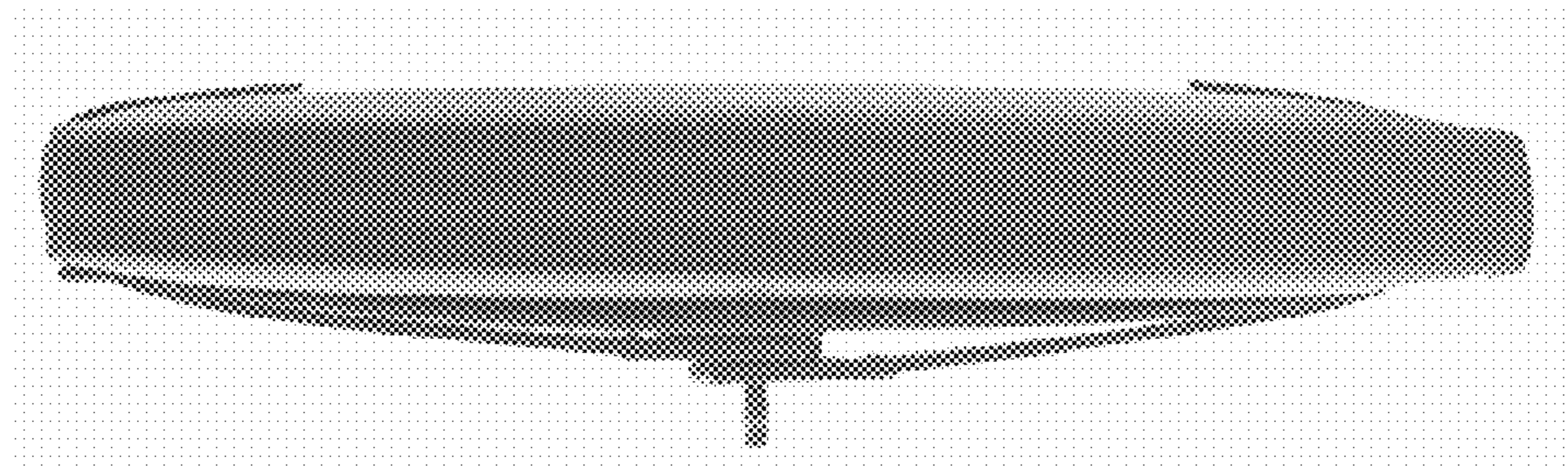


Fig. 7

