



US00D577904S

(12) **United States Design Patent**
Sasaki

(10) **Patent No.:** **US D577,904 S**
(45) **Date of Patent:** **** Oct. 7, 2008**

(54) **PROTECTIVE CARRYING CASE FOR PORTABLE ELECTRONIC DEVICES**

D551,847 S * 10/2007 Yeap et al. D3/201

* cited by examiner

(76) Inventor: **Jeff K Sasaki**, 7 Bayview Dr., San Carlos, CA (US) 94070

Primary Examiner—Catherine R Oliver
(74) *Attorney, Agent, or Firm*—Steven A. Nielsen; Allman & Nielsen, P.C.

(**) Term: **14 Years**

(21) Appl. No.: **29/302,852**

(57) **CLAIM**

(22) Filed: **Jan. 25, 2008**

I claim the ornamental design for a protective carrying case for portable electronic devices, as shown and described.

(51) **LOC (8) Cl.** **03-01**

DESCRIPTION

(52) **U.S. Cl.** **D3/201**

(58) **Field of Classification Search** D3/201,
D3/215, 218–219, 269, 271, 272–276, 294;
206/305, 320, 328; 455/90, 100; 379/455;
D6/407, 631–634; 224/90, 904, 240, 236,
224/682–683, 600, 250

FIG. 1 is a perspective view of a protective carrying case for portable electronic devices showing my new design;

FIG. 2 is a top plan view thereof;

FIG. 3 is a bottom plan view thereof;

FIG. 4 is a right side view thereof;

FIG. 5 is a left side view thereof;

FIG. 6 is a front view thereof; and,

FIG. 7 is a rear view thereof.

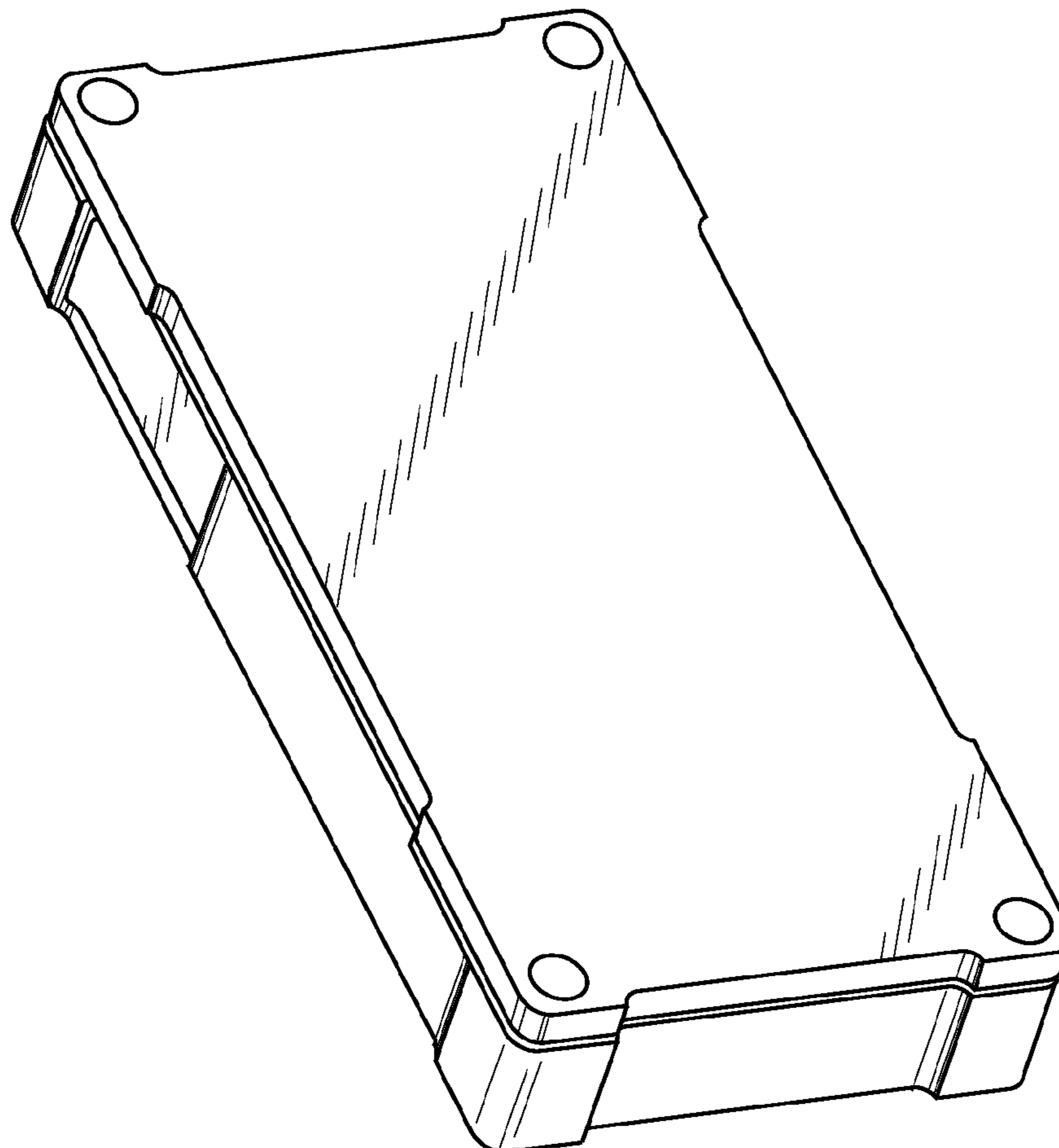
See application file for complete search history.

(56) **References Cited**

U.S. PATENT DOCUMENTS

D464,196 S * 10/2002 Parker D3/273
D530,079 S * 10/2006 Thomas et al. D3/218

1 Claim, 4 Drawing Sheets



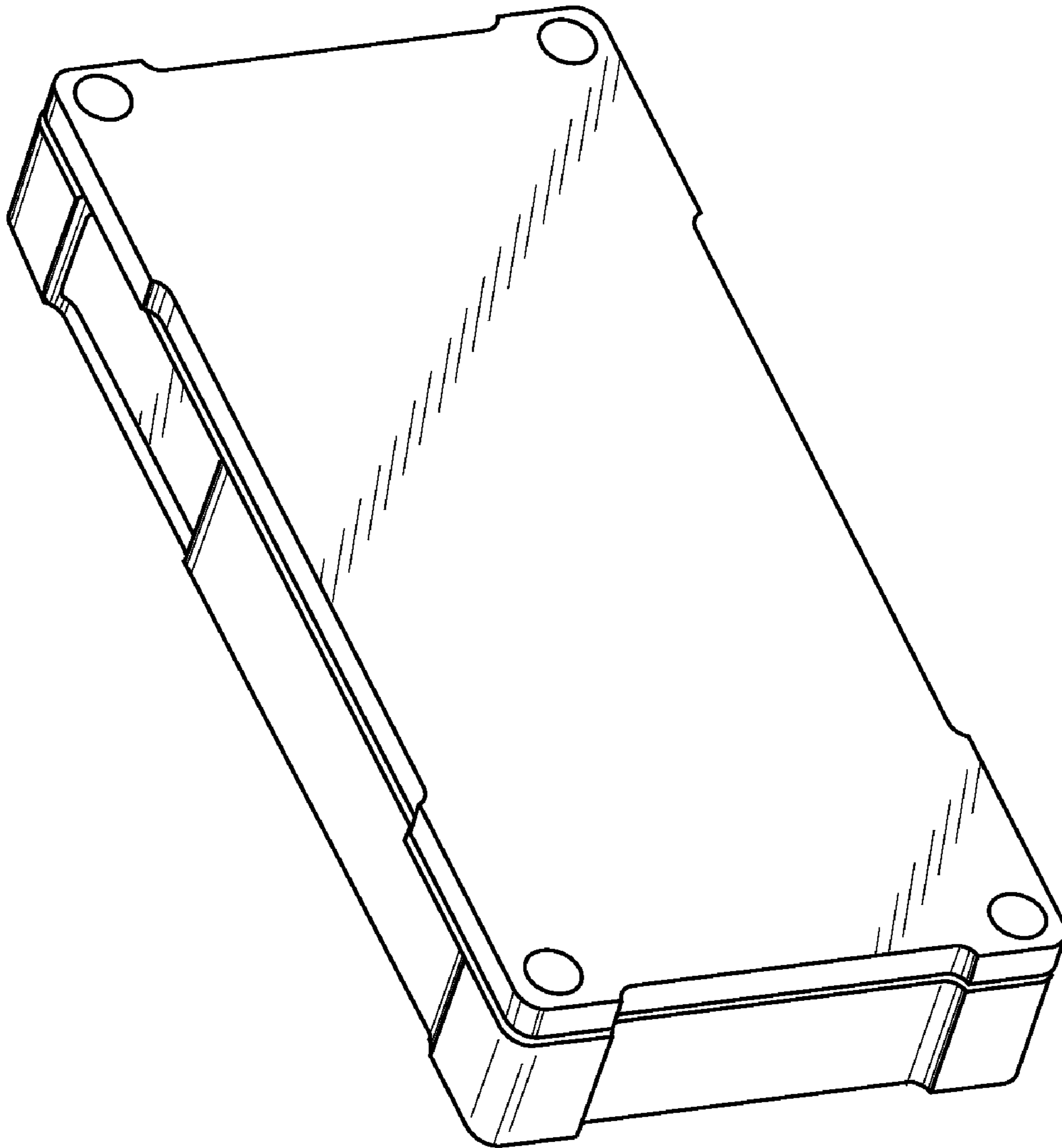


Fig. 1

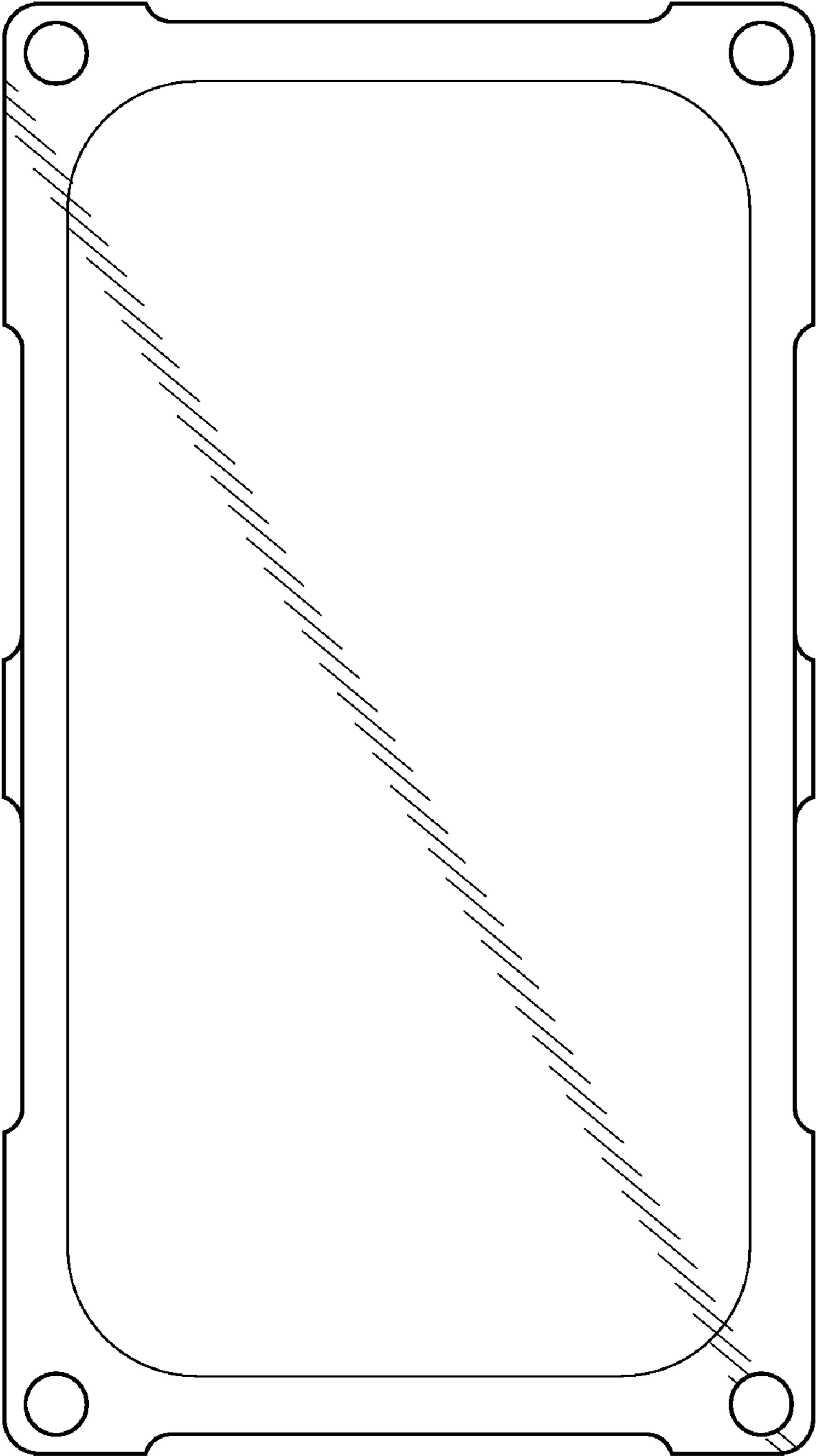


Fig. 2

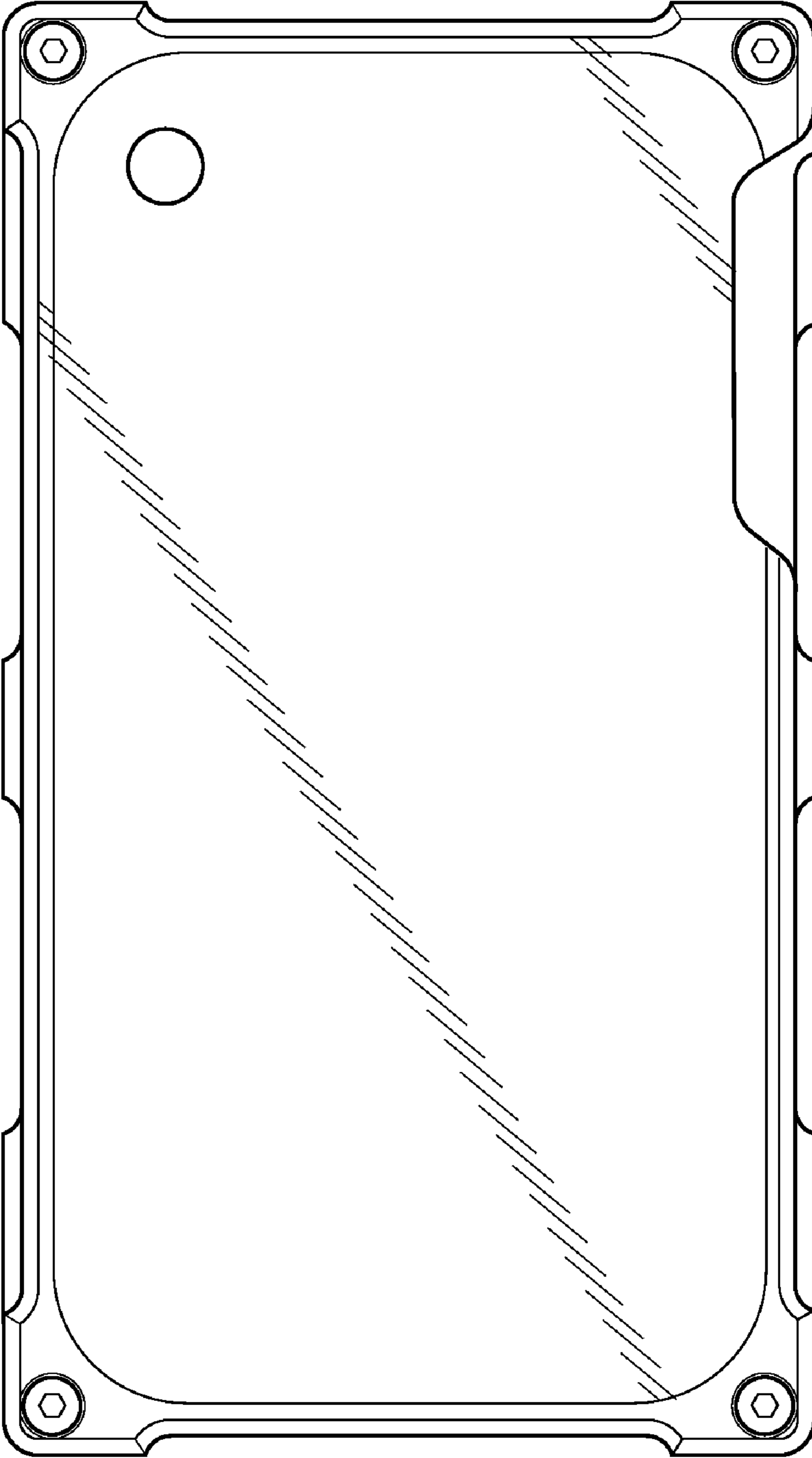


Fig. 3

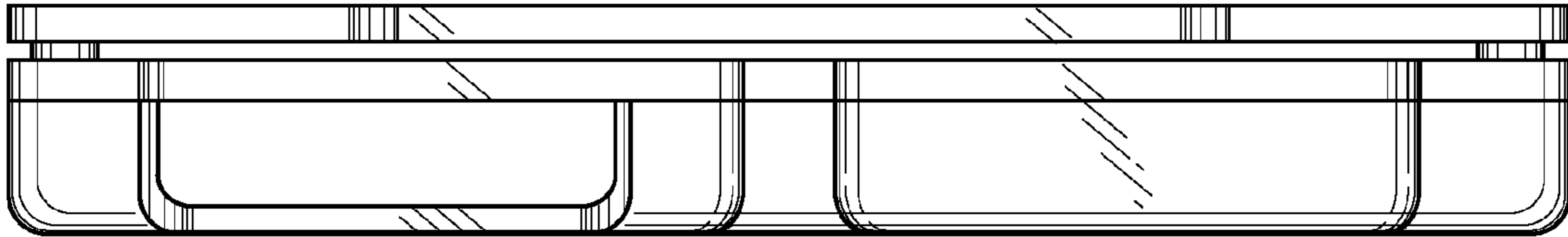


Fig. 4

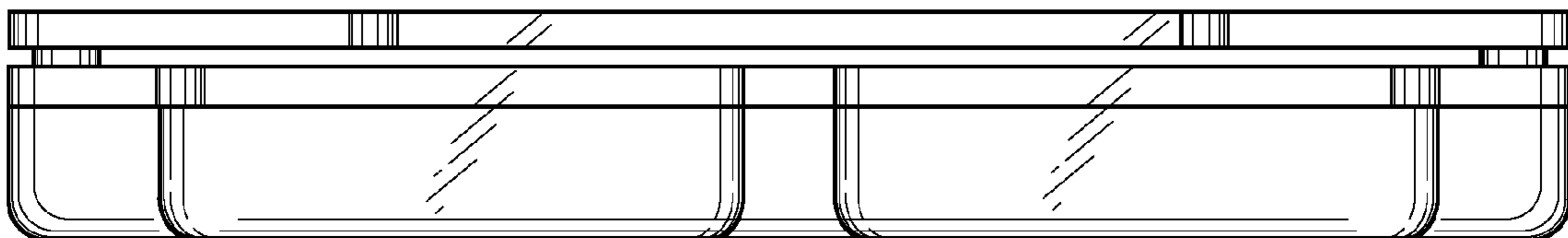


Fig. 5

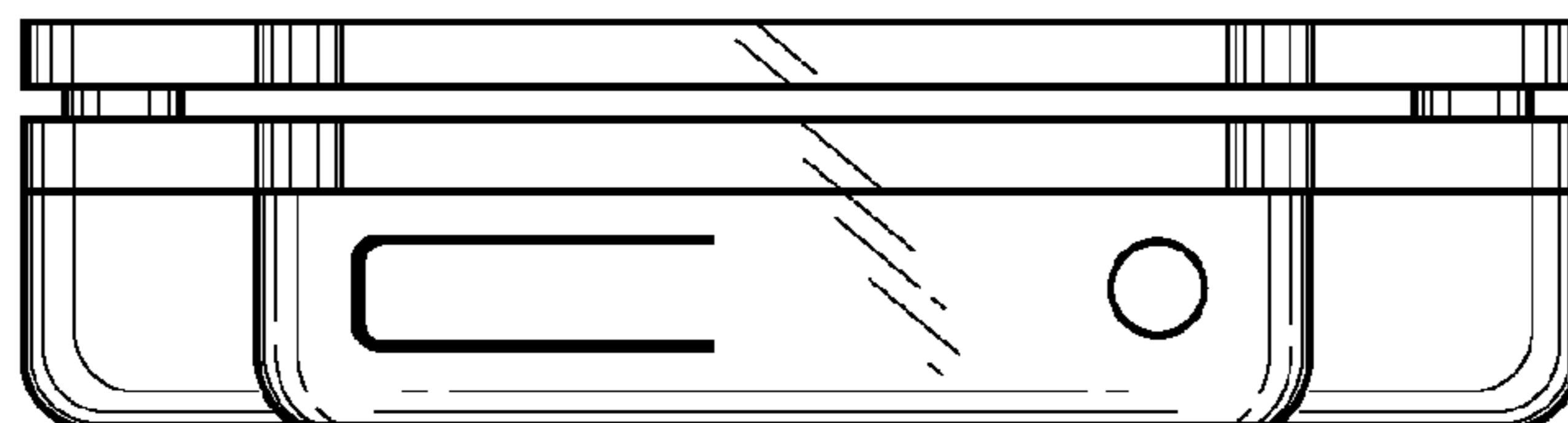


Fig. 6

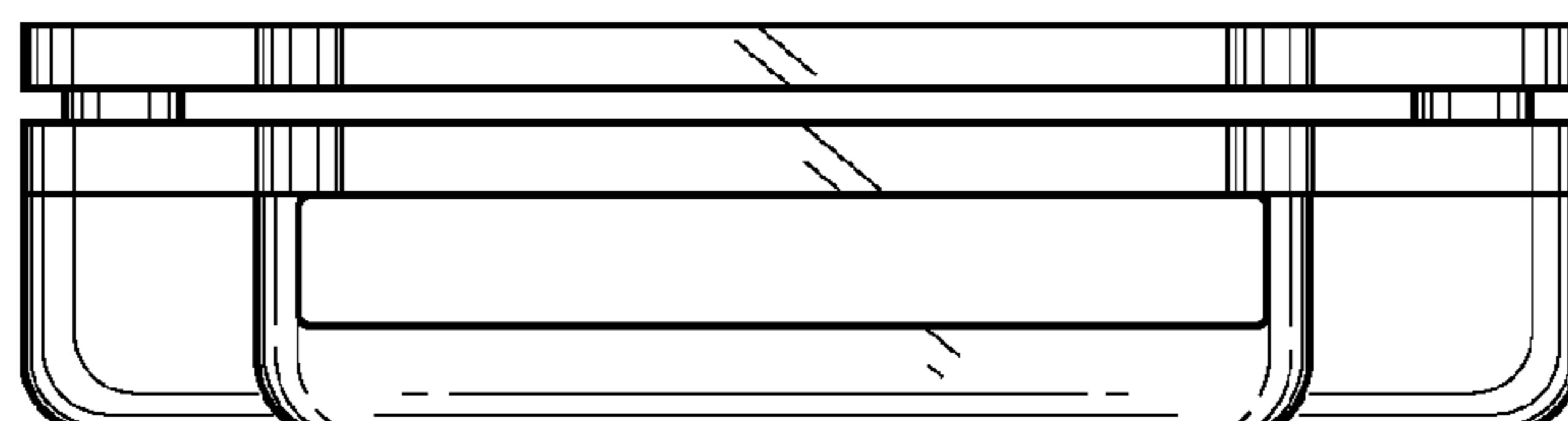


Fig. 7