



US00D577875S

(12) **United States Design Patent**
Dorsett

(10) **Patent No.:** **US D577,875 S**
(45) **Date of Patent:** **** Sep. 30, 2008**

(54) **PORTABLE HOIST**

(75) Inventor: **Dannie L. Dorsett**, 6077 Coffee Rd.,
Ste. #4-122, Bakersfield, CA (US) 93308

(73) Assignee: **Dannie L. Dorsett**, Bakersfield, CA
(US)

(**) Term: **14 Years**

(21) Appl. No.: **29/293,718**

(22) Filed: **Dec. 10, 2007**

(51) **LOC (8) Cl.** **12-05**

(52) **U.S. Cl.** **D34/31**

(58) **Field of Classification Search** D34/33;
414/11, 917, 728, 785, 542; 212/8 R, 294,
212/295, 901, 187; 254/8 R, 2 R; 187/200,
187/244, 243

See application file for complete search history.

(56) **References Cited**

U.S. PATENT DOCUMENTS

| | | | | |
|-----------|-----|--------|-------------------------|---------|
| 3,306,578 | A * | 2/1967 | Meeks et al. | 254/4 R |
| 3,521,860 | A * | 7/1970 | Zehrun, Jr. et al. | 254/8 R |
| 3,656,637 | A * | 4/1972 | Lynn et al. | 414/542 |
| 3,828,942 | A * | 8/1974 | Young | 414/11 |
| 4,144,973 | A * | 3/1979 | Reale | 212/257 |
| 4,588,165 | A * | 5/1986 | Stellato et al. | 254/8 B |
| 4,890,750 | A * | 1/1990 | Stern | 212/276 |
| 4,930,970 | A * | 6/1990 | Sunderland | 414/542 |
| D429,051 | S | 8/2000 | Porter | |
| D438,684 | S * | 3/2001 | Hernandez | D34/33 |

| | | | | |
|-----------|------|---------|-----------------|--------|
| 6,244,810 | B1 * | 6/2001 | Reyes | 414/11 |
| D459,048 | S | 6/2002 | Leemans | |
| D482,507 | S | 11/2003 | Xia et al. | |
| D540,003 | S | 4/2007 | Hagihara et al. | |
| D541,000 | S | 4/2007 | Xia et al. | |
| D546,022 | S | 7/2007 | Elsen et al. | |

* cited by examiner

Primary Examiner—Cynthia E Ramirez

(74) *Attorney, Agent, or Firm*—James M. Duncan, Esq.;
Klein, DeNatale, Goldner

(57) **CLAIM**

The ornamental design for a portable hoist, as shown and described.

DESCRIPTION

FIG. 1 is a top plan view of the portable hoist showing my new design;

FIG. 2 is a side elevation view of the portable hoist;

FIG. 3 is a front elevation view of the portable hoist;

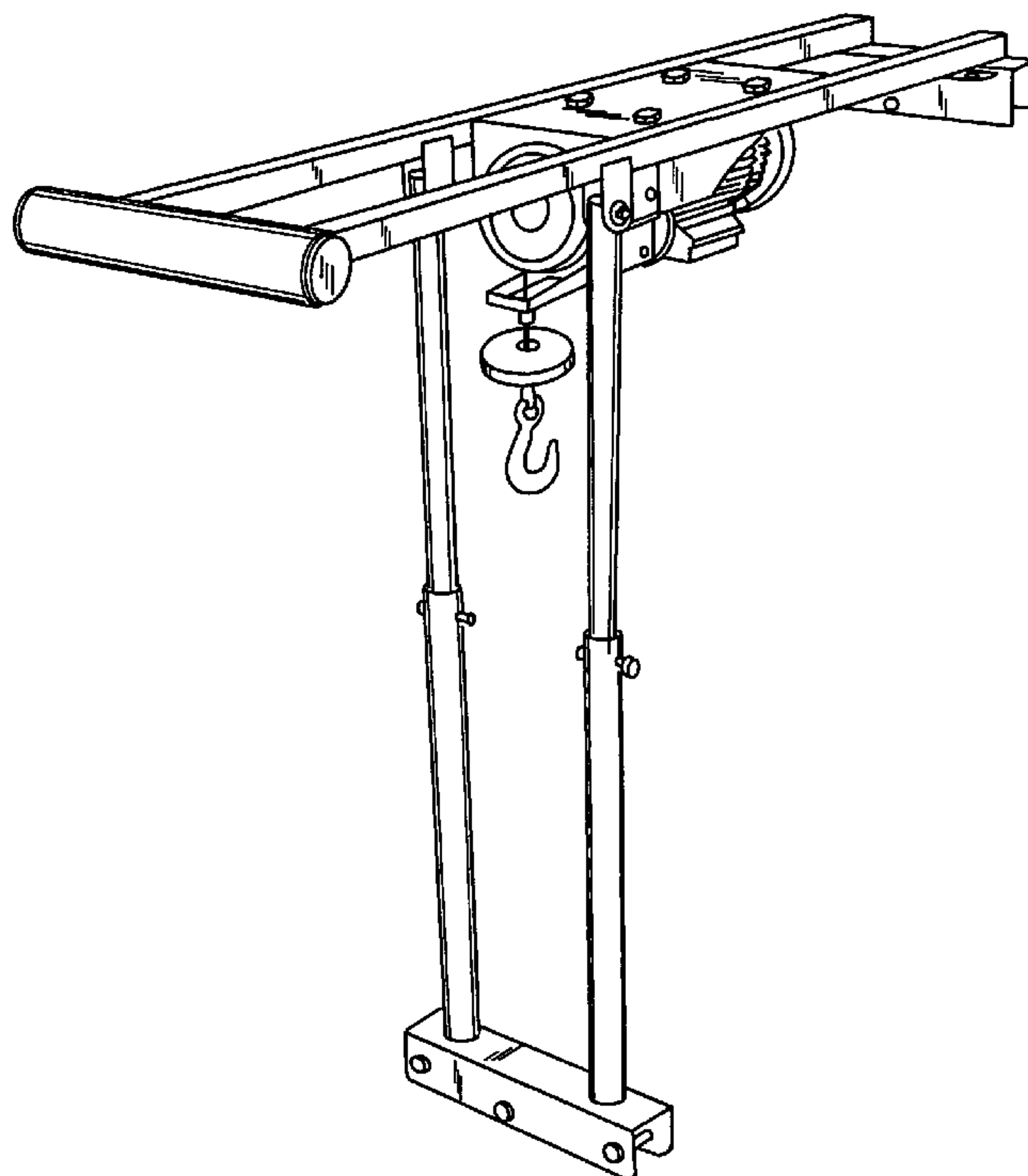
FIG. 4 is a back elevation view of the portable hoist;

FIG. 5 is a side elevation view of the portable hoist, with the leg shown in a lowered position;

FIG. 6 is a side elevation view of the portable hoist, with the leg shown in a mid-point position; and,

FIG. 7 is a perspective view of the portable hoist, with the leg shown in a lowered position.

1 Claim, 4 Drawing Sheets



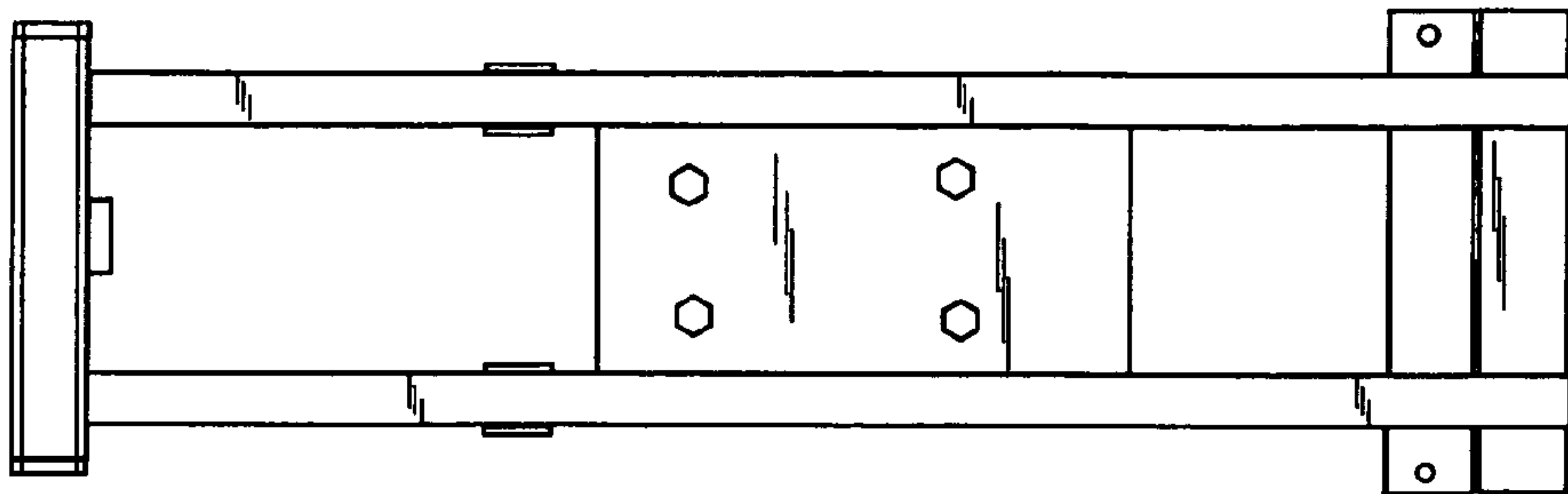


Fig. 1

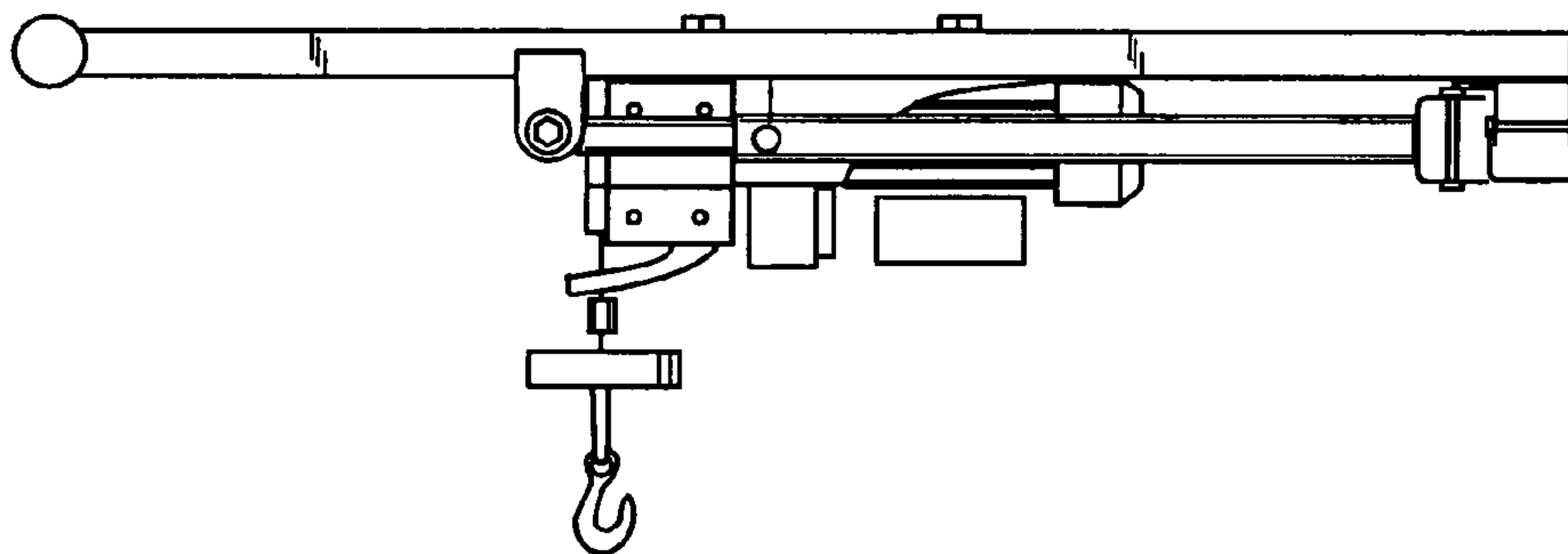


Fig. 2

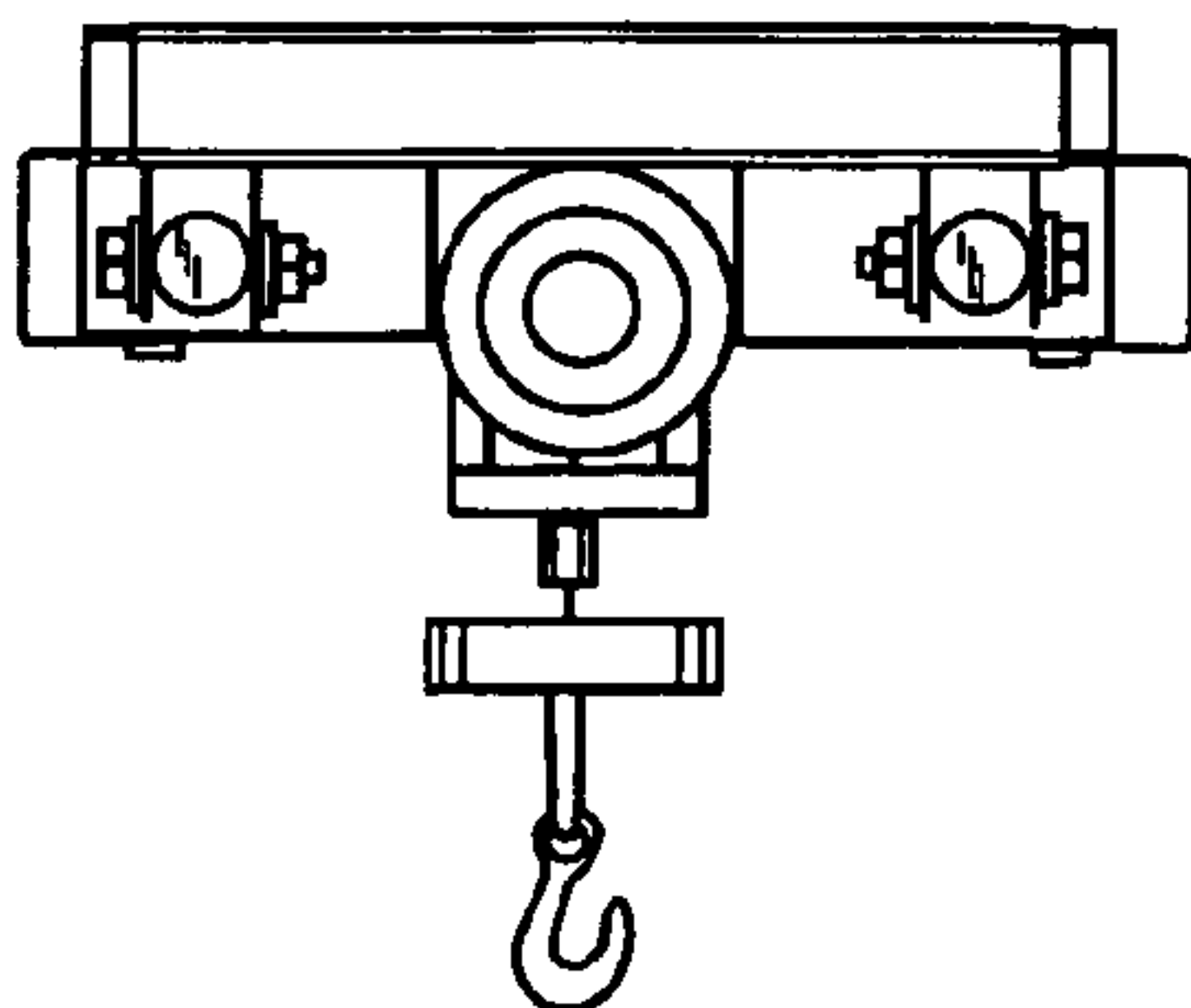


Fig. 3

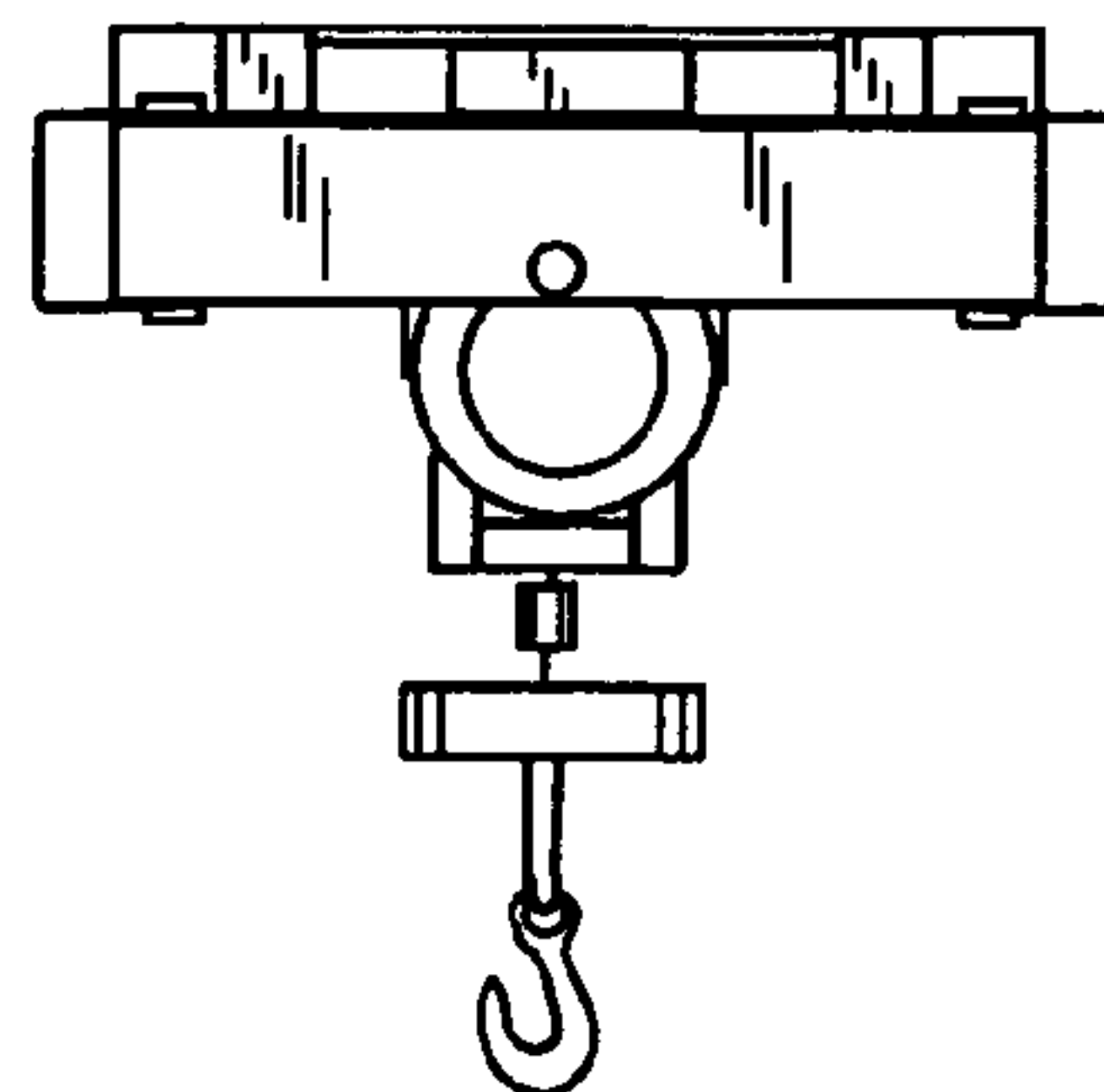


Fig. 4

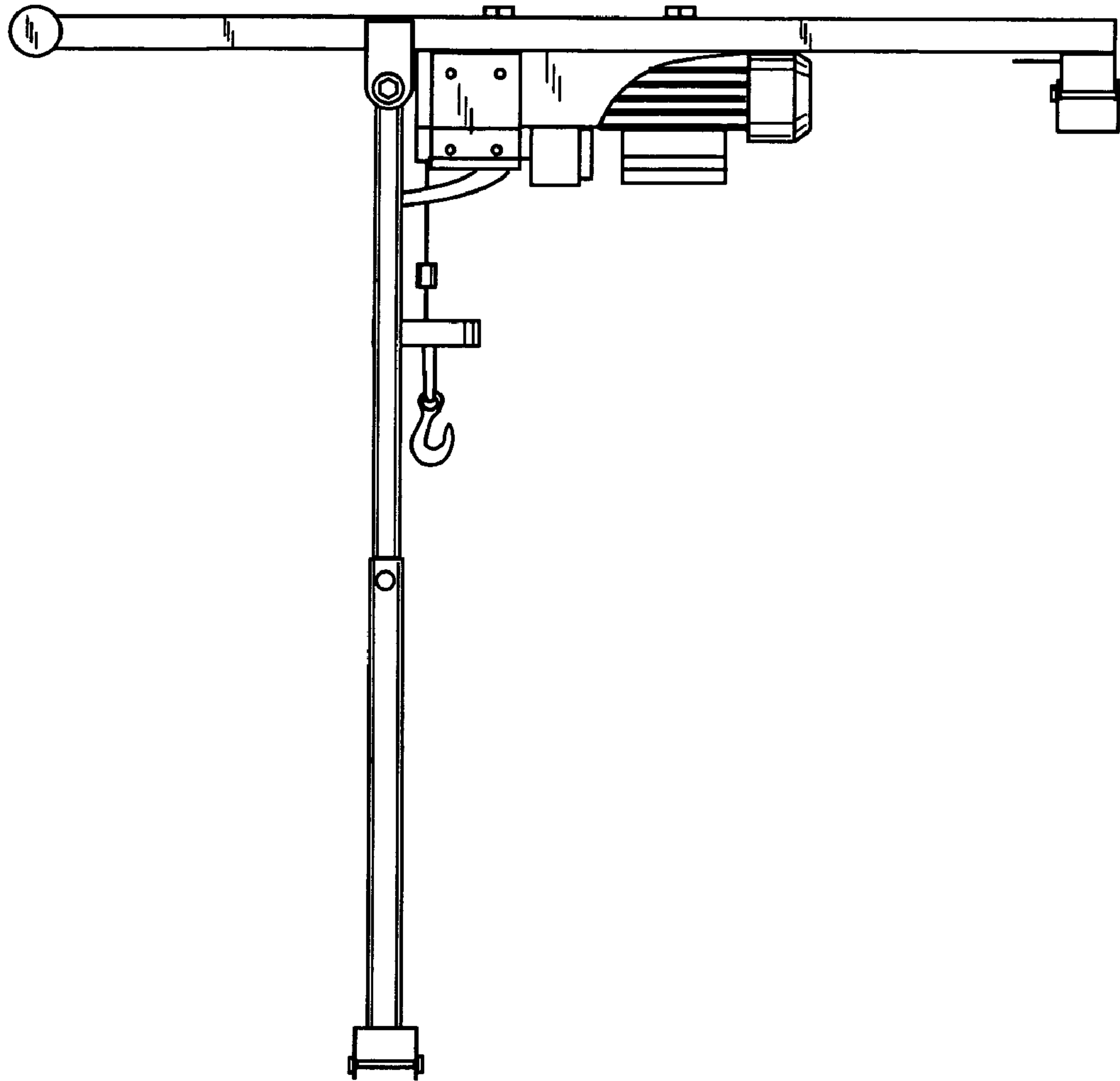


Fig. 5

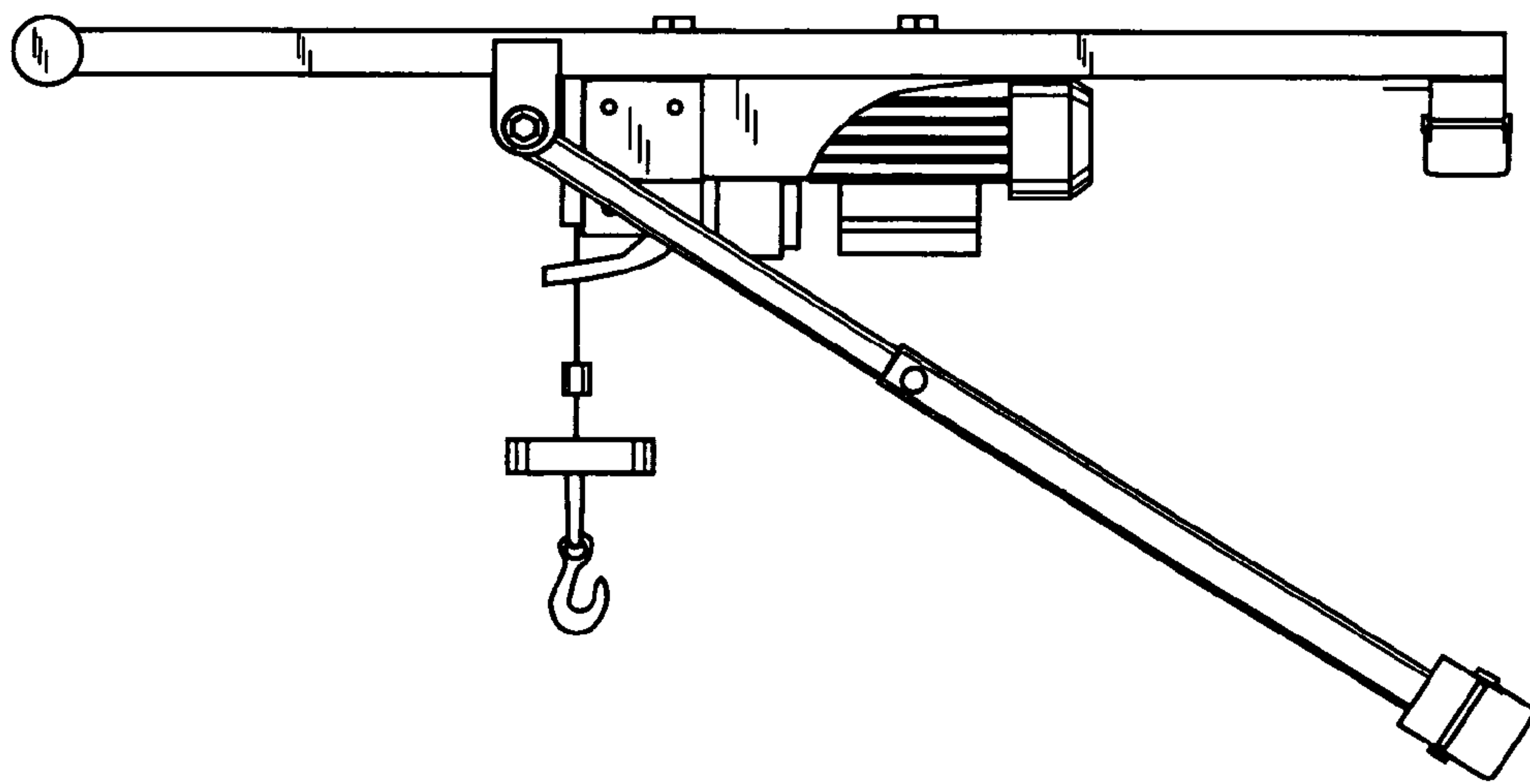


Fig. 6

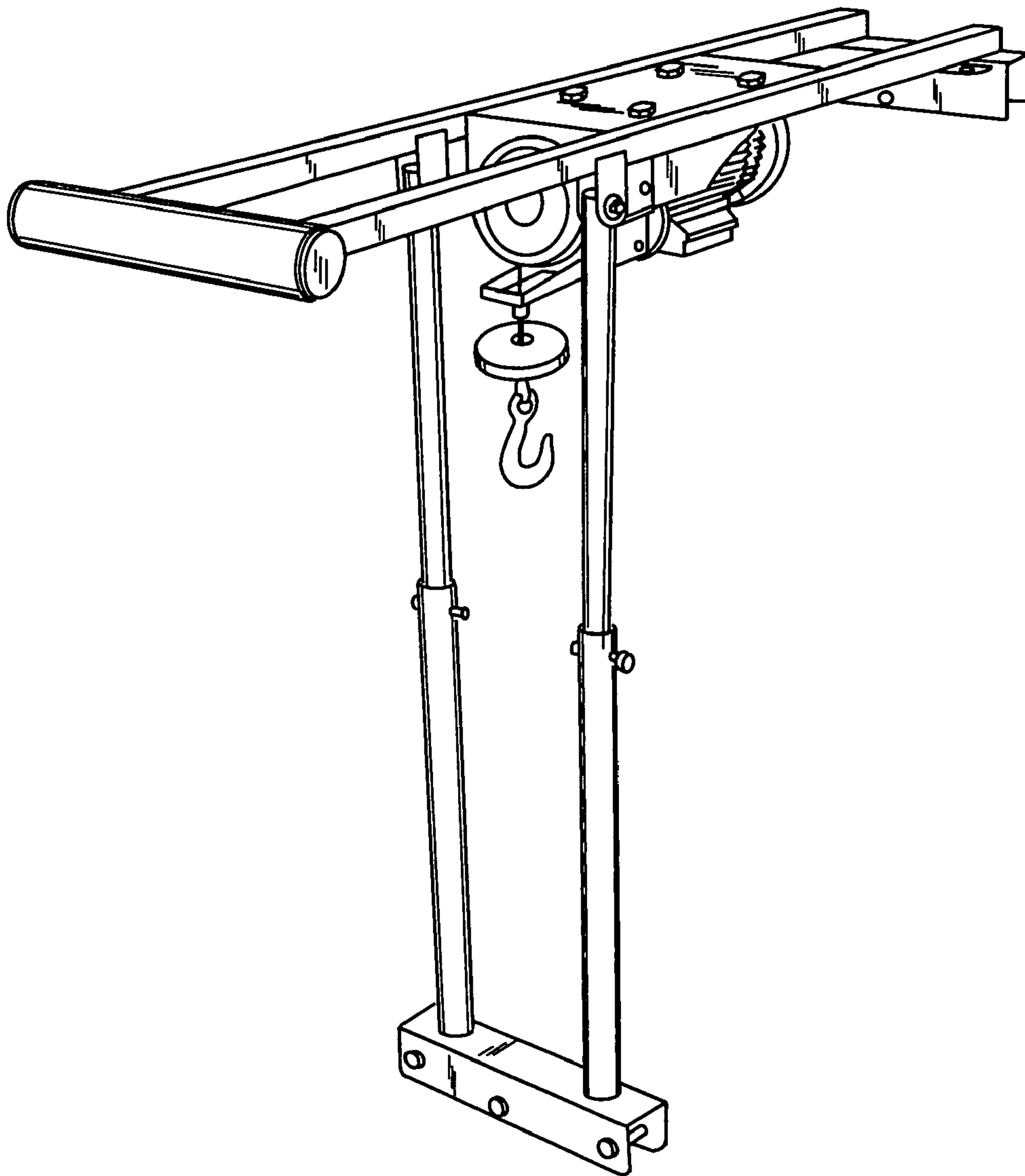


Fig. 7